



US00D843128S

(12) **United States Design Patent** (10) **Patent No.:** **US D843,128 S**  
**Pena** (45) **Date of Patent:** **\*\* Mar. 19, 2019**

(54) **GLOVE DISPENSER**

(71) Applicant: **Reinaldo A Pena**, Bluffdale, UT (US)

(72) Inventor: **Reinaldo A Pena**, Bluffdale, UT (US)

(\*\*) Term: **15 Years**

(21) Appl. No.: **29/634,729**

(22) Filed: **Jan. 24, 2018**

(51) **LOC (11) Cl.** ..... **06-06**

(52) **U.S. Cl.**  
USPC ..... **D6/515**

(58) **Field of Classification Search**

USPC ..... D9/414-423, 430-432, 433, 434, 456,  
D9/457, 711, 713, 721-722; D6/515

CPC ... B65D 5/00; B65D 5/02; B65D 5/18; B65D  
5/20

See application file for complete search history.

(56) **References Cited**

**U.S. PATENT DOCUMENTS**

4,308,986	A *	1/1982	Parrilli	.....	B65D 5/4208 206/470
D387,981	S *	12/1997	Mosior	.....	D3/304
D491,059	S *	6/2004	Kim	.....	D9/416
D567,077	S *	4/2008	Jackel	.....	D9/415
D706,129	S *	6/2014	Boraczek	.....	D9/418
D740,652	S *	10/2015	Makhsudova	.....	D9/418
D755,623	S *	5/2016	Shirosawa	.....	D9/415
D760,072	S *	6/2016	Lutz	.....	D9/416
D777,585	S *	1/2017	Lyon	.....	D6/515
D778,149	S *	2/2017	Frick	.....	D9/416
D781,142	S *	3/2017	Trujillo	.....	D9/432
D783,304	S *	4/2017	Gray	.....	D6/515
D794,443	S *	8/2017	Frick	.....	D9/416
D799,852	S *	10/2017	Pena	.....	D6/515
D804,943	S *	12/2017	Richmond	.....	D9/432
D806,573	S *	1/2018	Sobel	.....	D9/734
D820,675	S *	6/2018	Burke	.....	D9/432

(Continued)

*Primary Examiner* — Vy N Koenig

(74) *Attorney, Agent, or Firm* — Dobbin IP Law P.C.;  
Geoffrey E. Dobin

(57) **CLAIM**

The ornamental design for a glove dispenser, as shown and described.

**DESCRIPTION**

FIG. 1 is a perspective view of a glove dispenser showing my new design.

FIG. 2 is front elevation of the glove dispenser, with the front cover and advertising stand portions removed to show aspects of the design that may not be apparent in the other views.

FIG. 3 is a rear elevation of the glove dispenser thereof.

FIG. 4 is a side elevation of the glove dispenser thereof, the opposite side being identical

FIG. 5 is a bottom plan view of the glove dispenser thereof.

FIG. 6 is a top plan view of the glove dispenser thereof.

FIG. 7 is a front, left and top perspective view of the glove dispenser thereof.

FIG. 8 is a rear, left and top perspective view of the glove dispenser thereof.

FIG. 9 is a front, left, and bottom perspective view of the glove dispenser thereof.

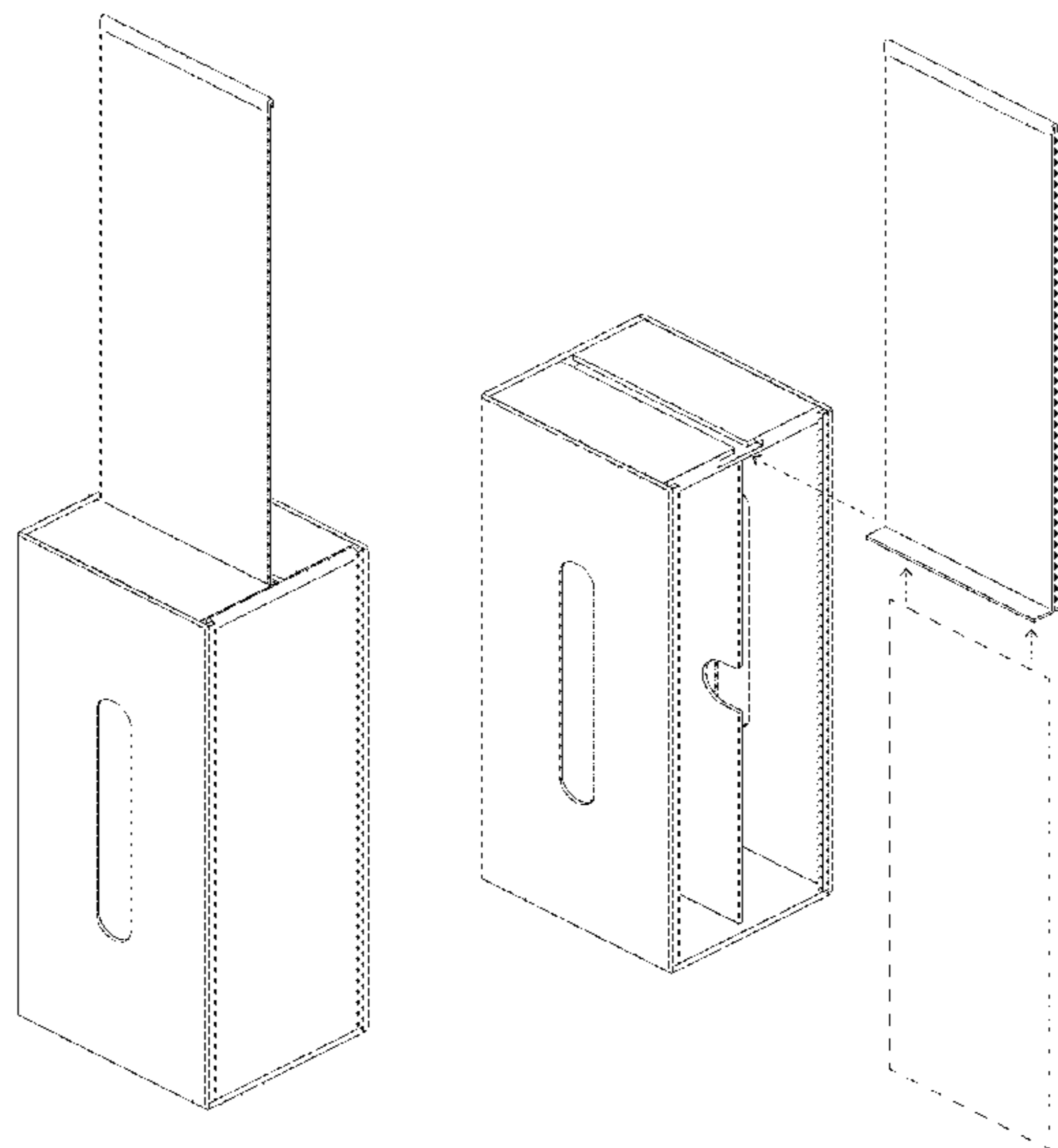
FIG. 10 is a front, left and top perspective view of the glove dispenser of FIG. 7, showing the first stage of assembly and installation of the advertising stand.

FIG. 11 is a front, left and top perspective view of the glove dispenser, showing installation of the front cover; and,

FIG. 12 is front elevation of the glove dispenser, with the front cover installed and advertising stand removed.

The dashed lines in FIGS. 10 and 11 represent paper inserts and are intended to illustrate environment and are not intended to form a part of the claimed design.

**1 Claim, 11 Drawing Sheets**



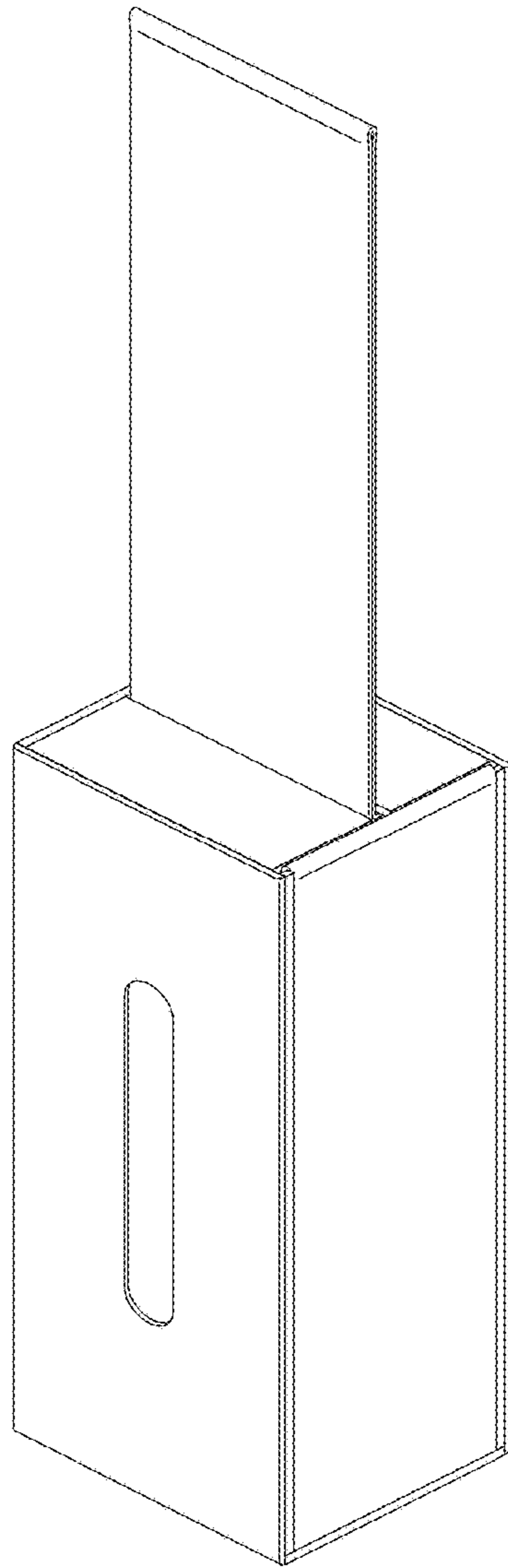
(56)

**References Cited**

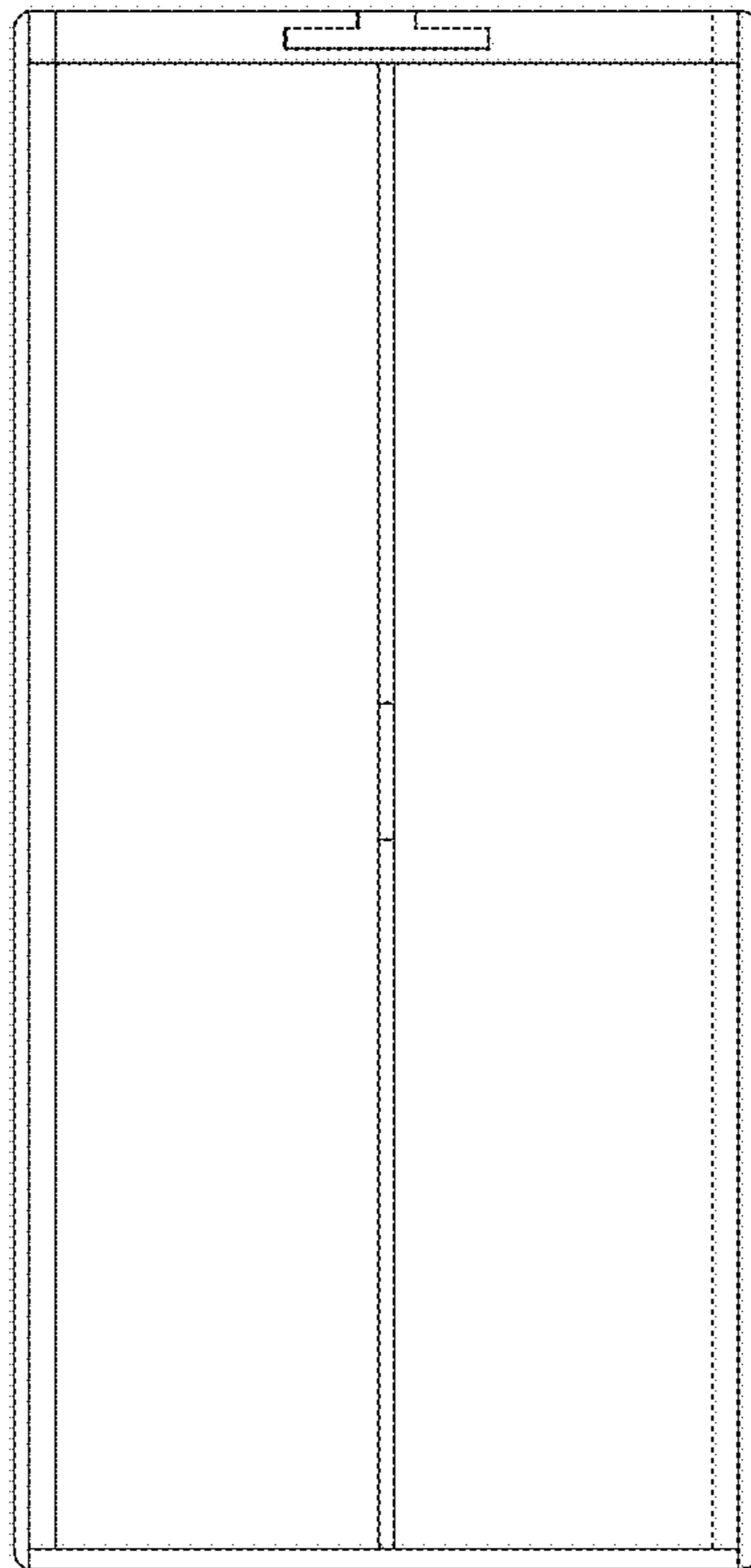
U.S. PATENT DOCUMENTS

2006/0175222 A1\* 8/2006 Holland ..... A47K 10/185  
206/494

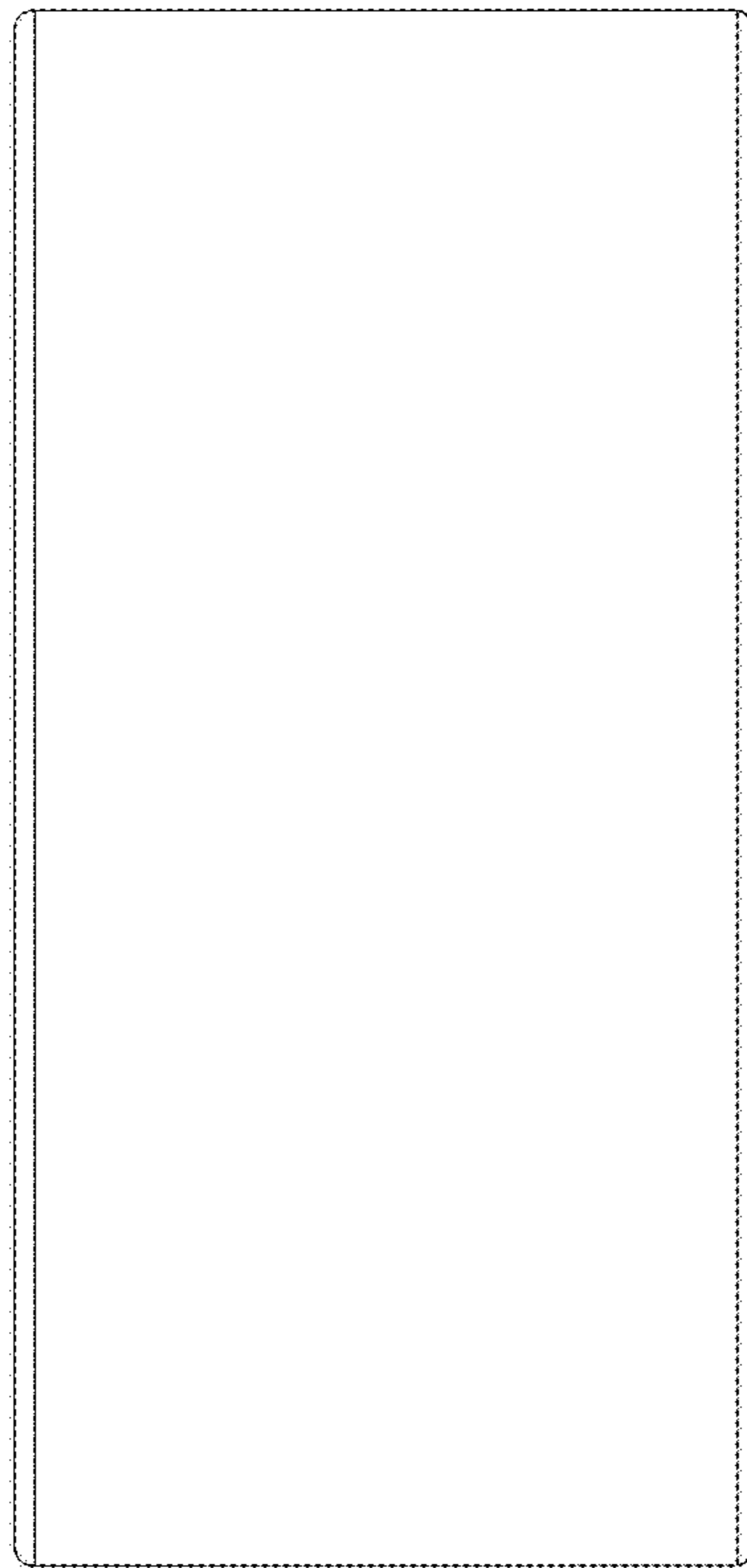
\* cited by examiner



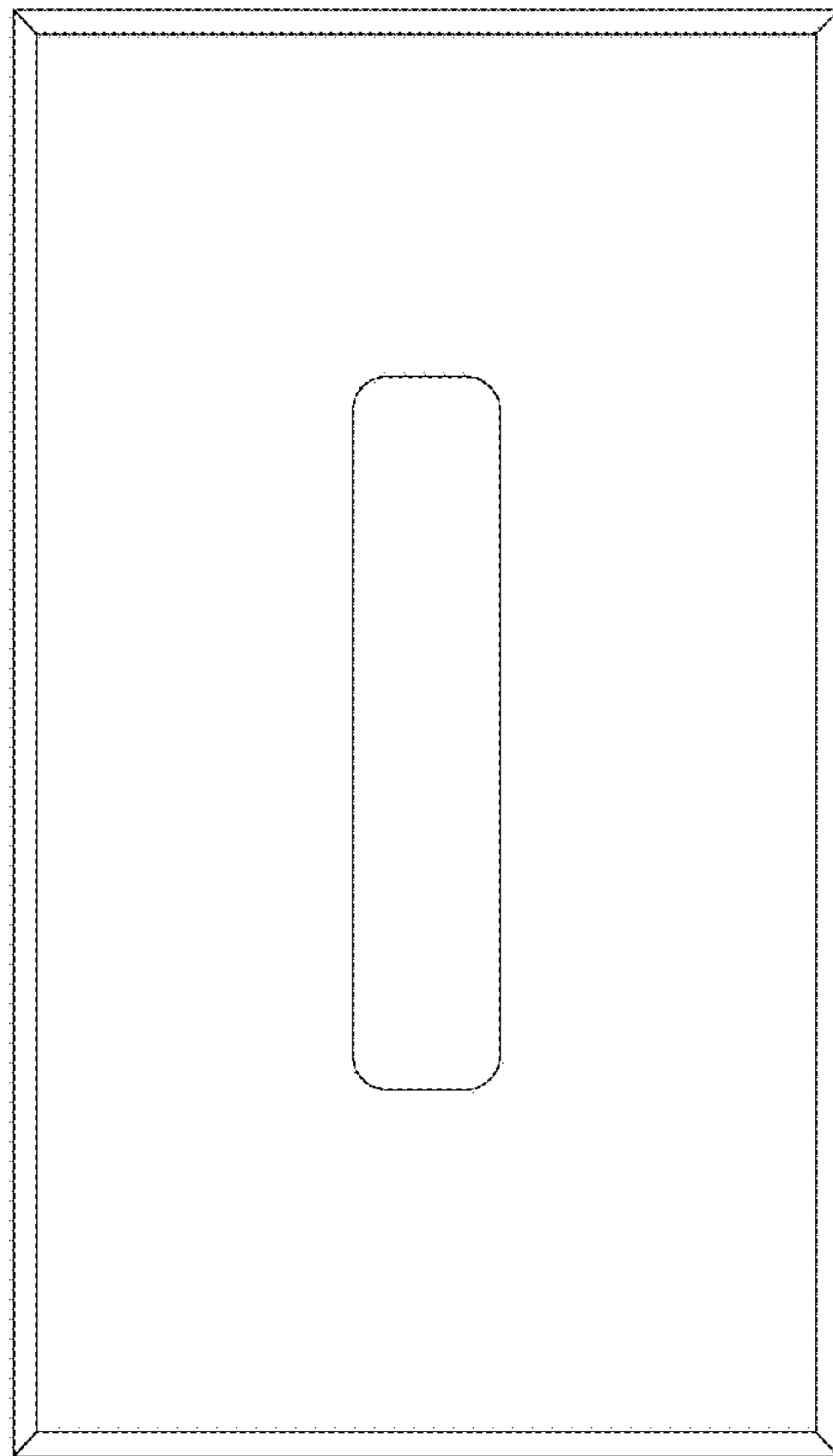
**FIG. 1**



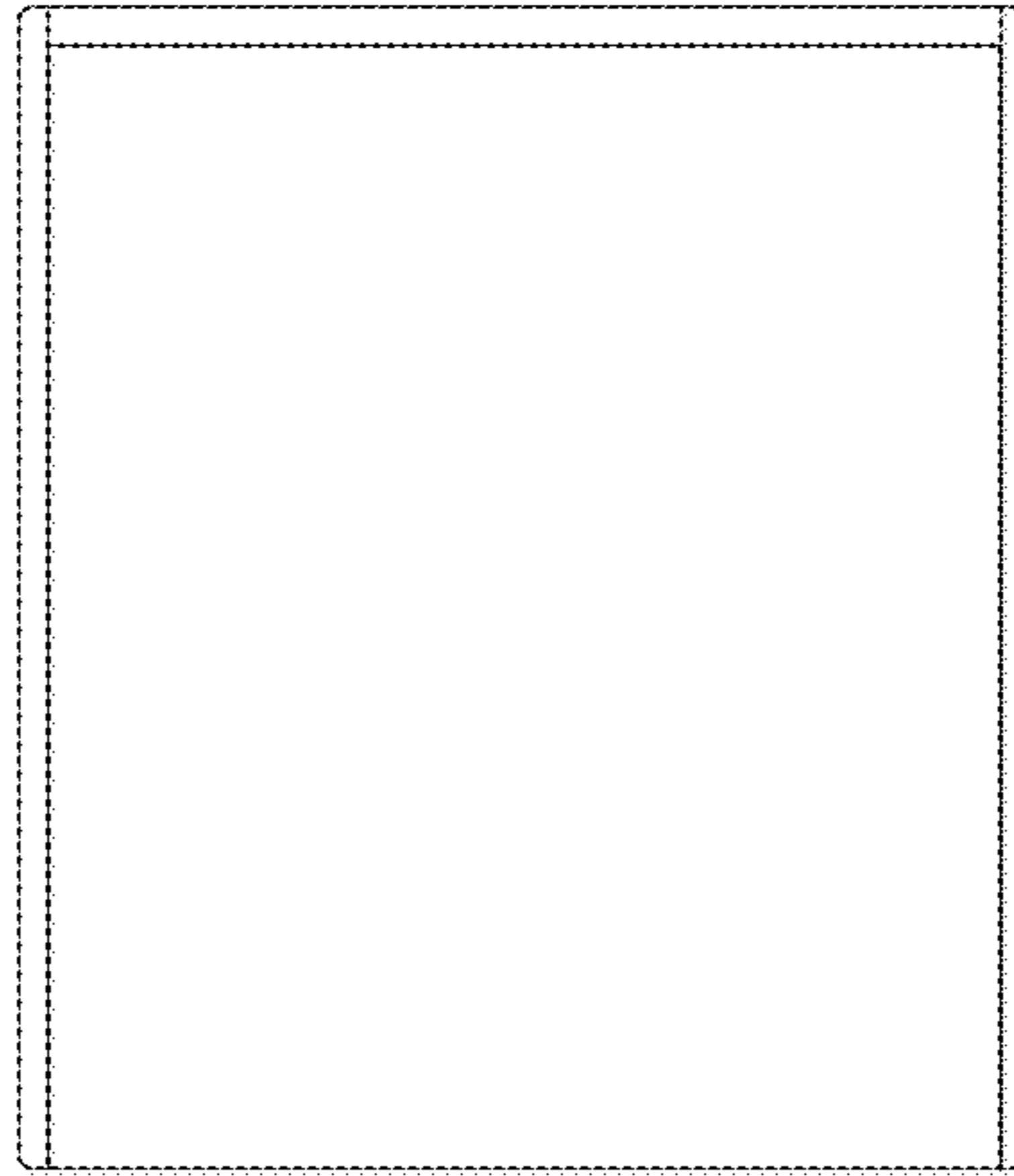
**FIG. 2**



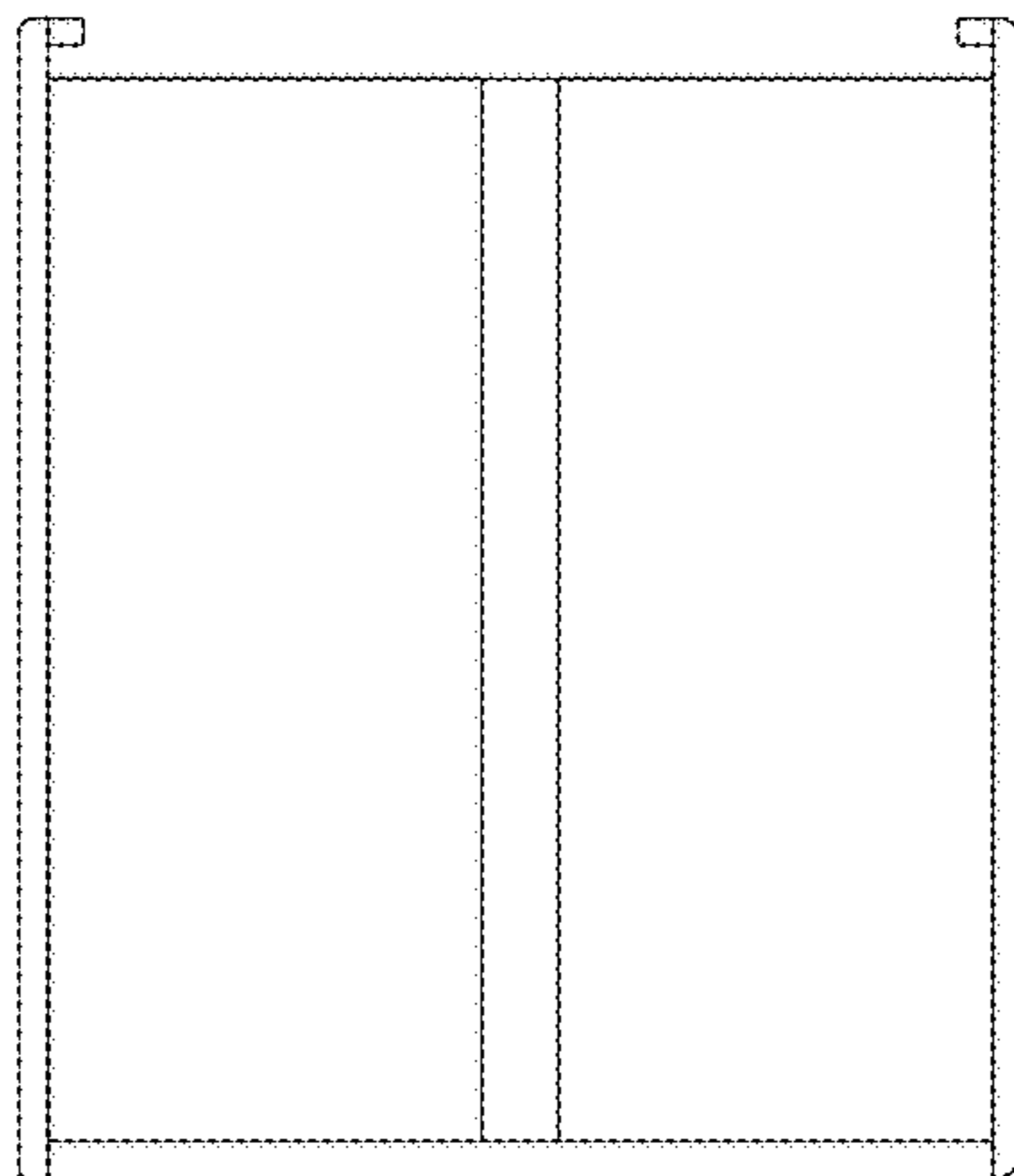
***FIG. 3***



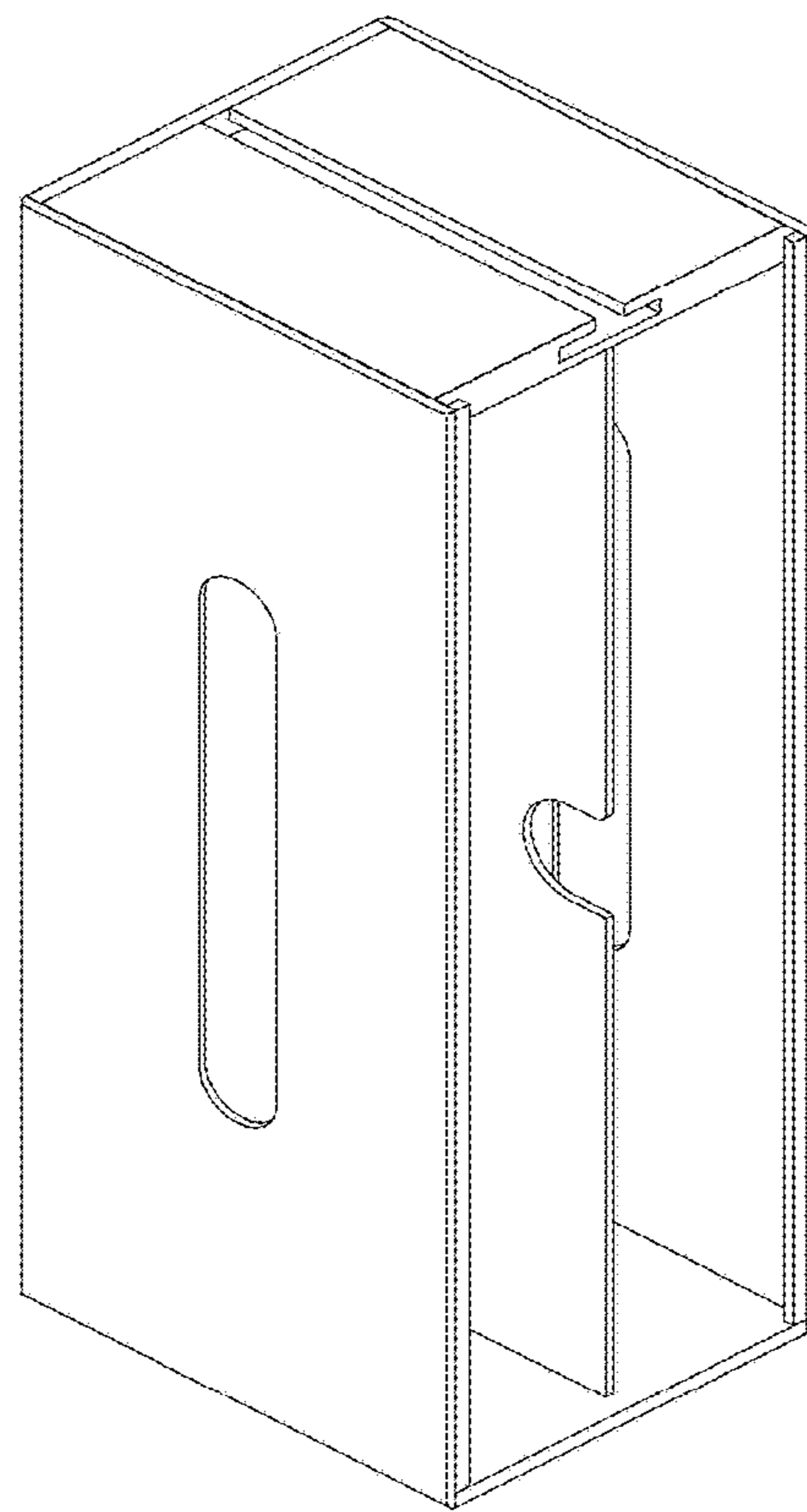
**FIG. 4**



**FIG. 5**

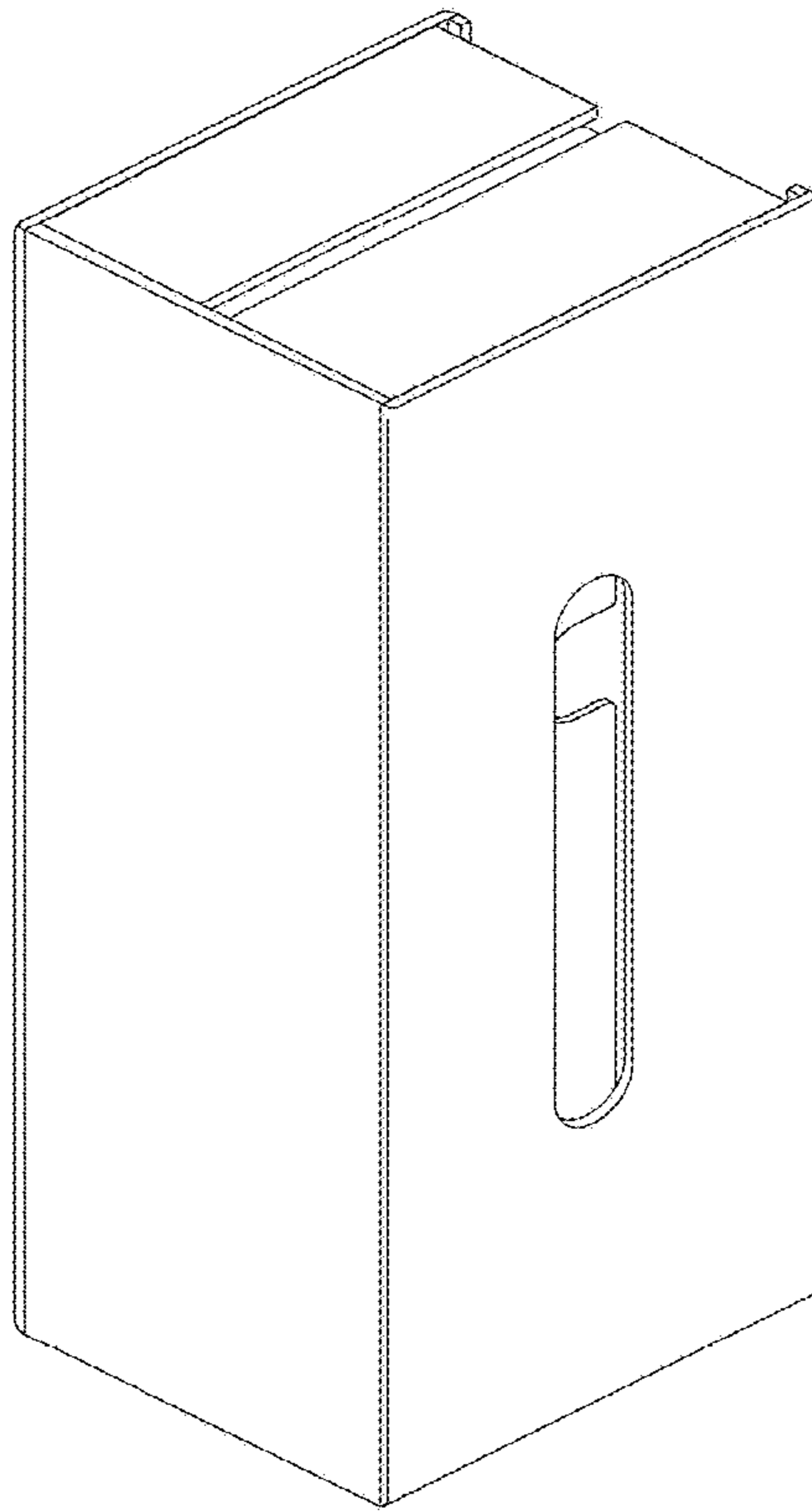


**FIG. 6**

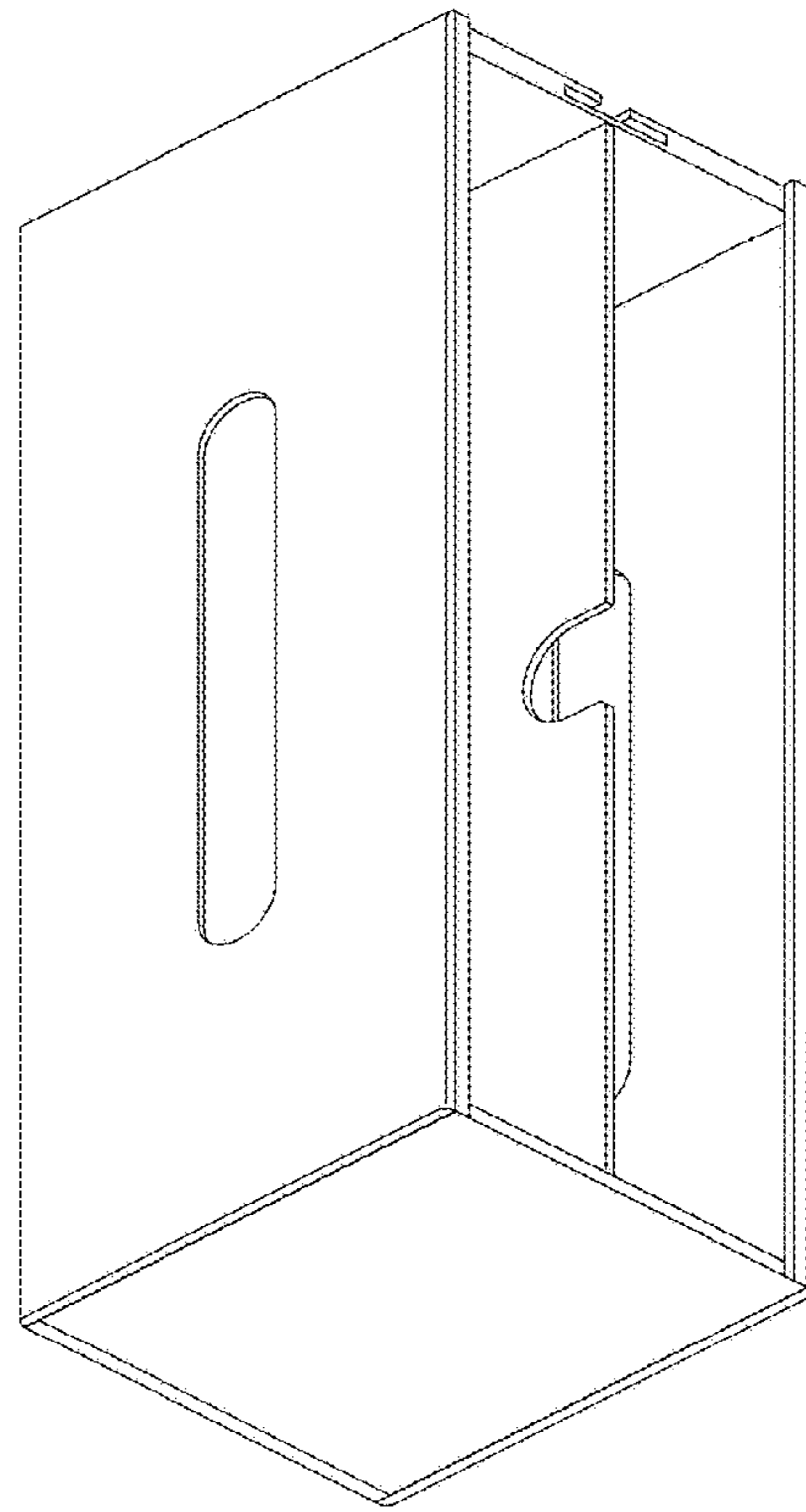


**FIG. 7**

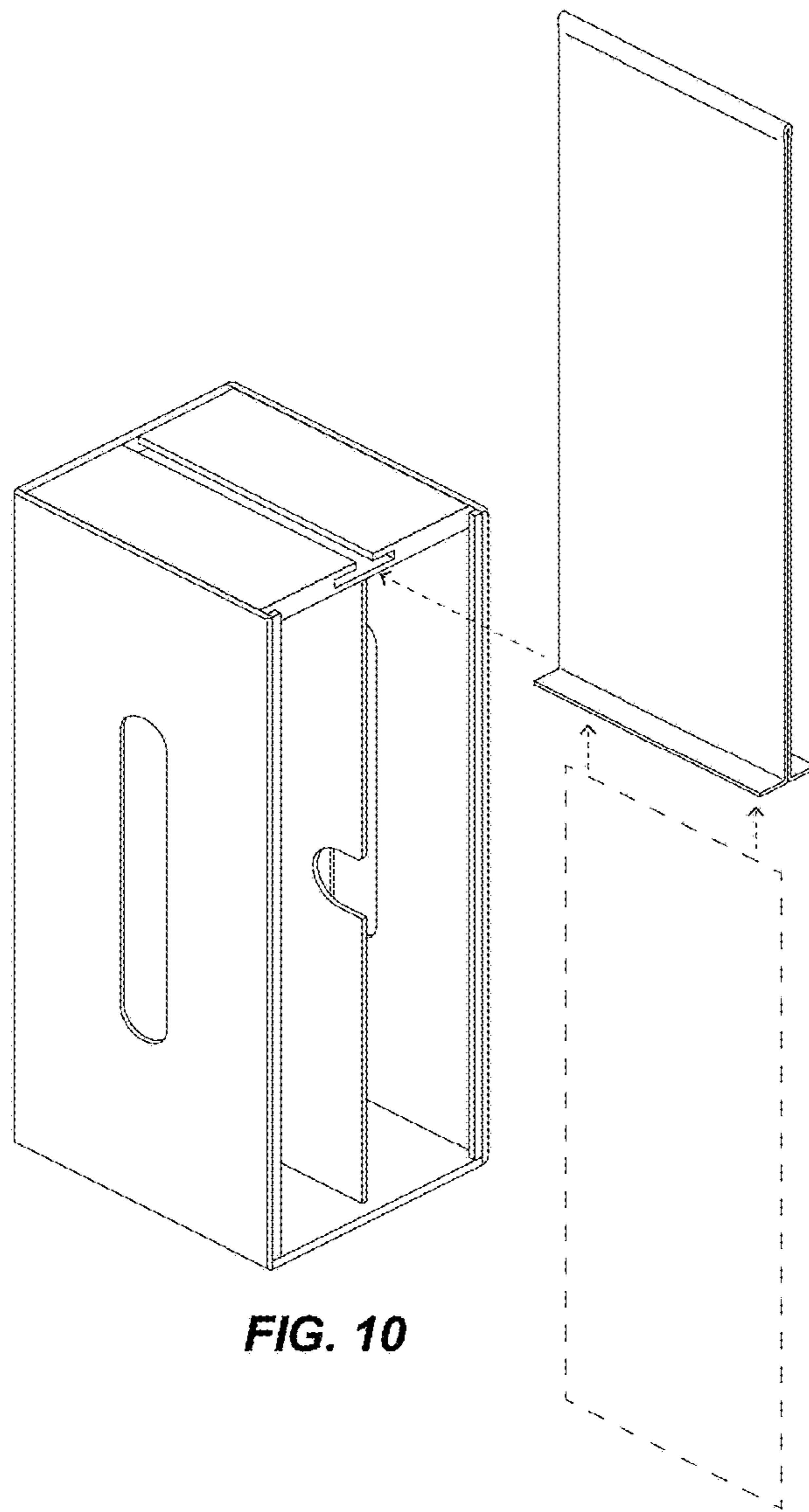




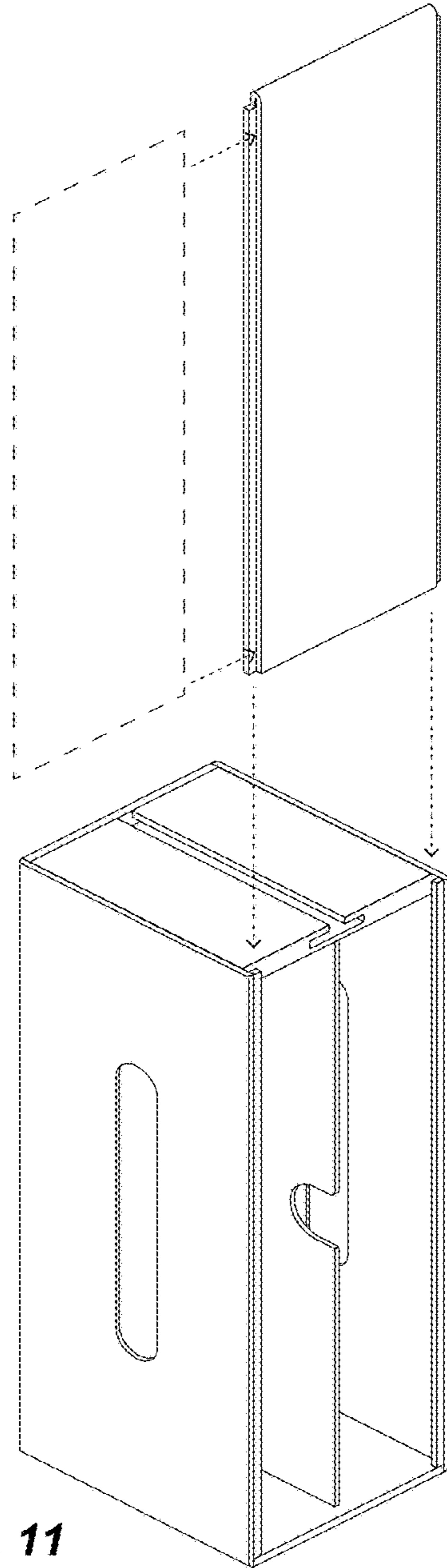
**FIG. 8**



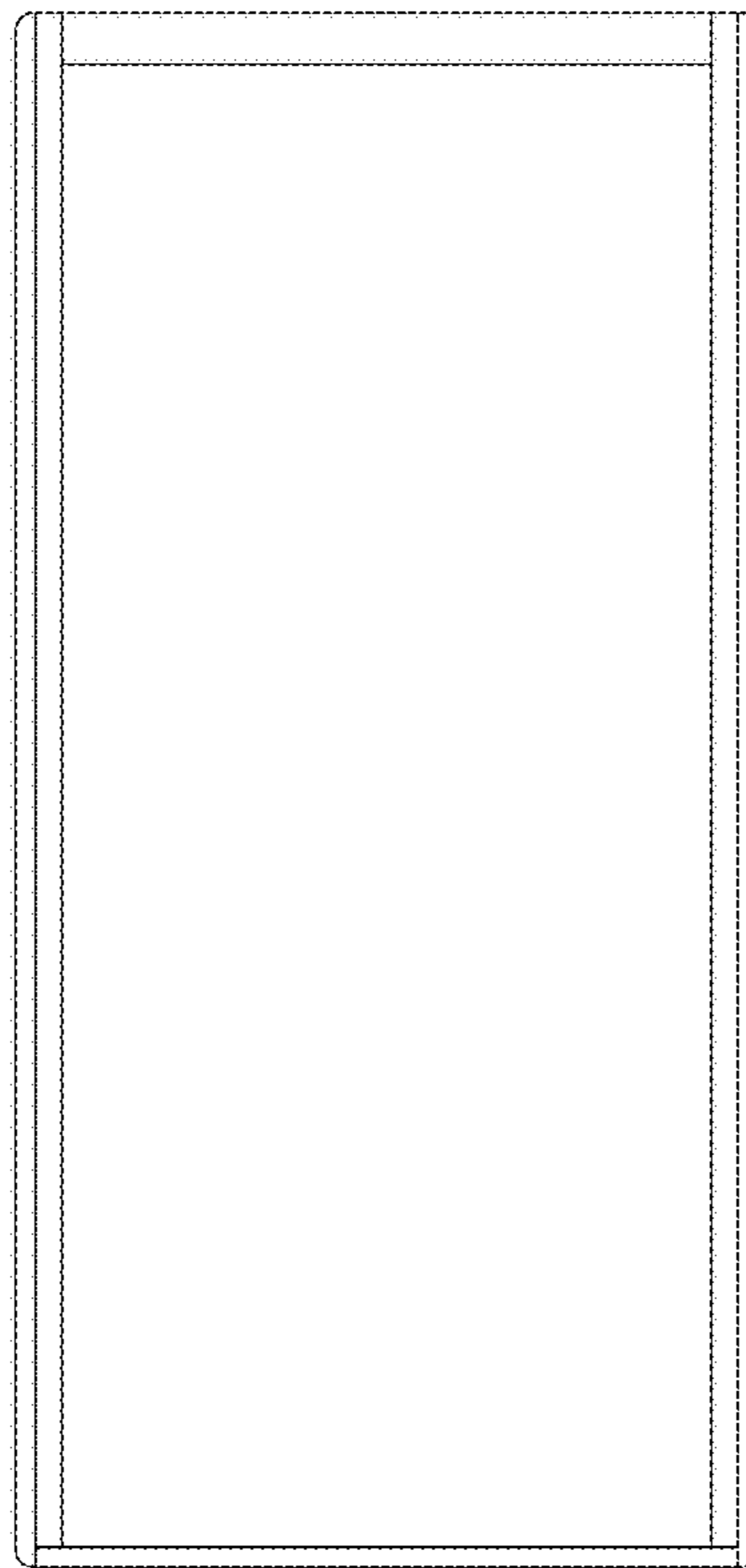
**FIG. 9**



**FIG. 10**



**FIG. 11**



**FIG. 12**