



US00D843127S

(12) **United States Design Patent**  
**Altemimeï**

(10) **Patent No.:** **US D843,127 S**

(45) **Date of Patent:** **\*\* Mar. 19, 2019**

(54) **BED FRAME**

(71) Applicant: **DA International, Inc.**, Orland Park, IL (US)

(72) Inventor: **Raad Altemimeï**, Orland Park, IL (US)

(73) Assignee: **DA International, Inc.**, Orland Park, IL (US)

(\*\*) Term: **15 Years**

(21) Appl. No.: **29/594,324**

(22) Filed: **Feb. 17, 2017**

(51) **LOC (11) Cl.** ..... **06-02**

(52) **U.S. Cl.**  
USPC ..... **D6/394; D6/718.13**

(58) **Field of Classification Search**  
USPC ..... D6/382-384, 393-395, 718.13, 718.14,  
D6/718.21, 718.22, 718.23  
CPC ..... A47C 19/00; A47C 19/02; A47C 19/021;  
A47C 19/022  
See application file for complete search history.

(56) **References Cited**

**U.S. PATENT DOCUMENTS**

D99,046 S	3/1936	Rettich	
D139,338 S	11/1944	George	
D149,378 S	4/1948	Rummelsburg	
D160,571 S *	10/1950	Belanger	D6/393
D173,938 S	2/1955	Dailey	
D194,782 S	3/1963	Watt, Jr.	
D199,051 S	9/1964	Stone	
3,159,416 A	12/1964	Schlage	
D201,987 S	8/1965	Webster	
D240,547 S	7/1976	Stanley et al.	
D386,383 S	11/1997	Lougee	
D393,162 S *	4/1998	Bargagli-Stoffi	D6/718.13
D441,576 S	5/2001	Foster	
D455,640 S	4/2002	Hansen	
6,532,778 B2	3/2003	Molzer et al.	

D492,502 S *	7/2004	Domack	D6/393
D497,098 S	10/2004	Magnusson	
D521,768 S *	5/2006	Black	D6/393
D527,926 S	9/2006	Domack et al.	
D554,388 S *	11/2007	Leigh	D6/393
D567,061 S	4/2008	Paige et al.	
D578,373 S	10/2008	Paige et al.	
D581,767 S	12/2008	Thompson	
D586,162 S	2/2009	Schmitt	
D625,165 S	10/2010	King	

(Continued)

*Primary Examiner* — Cathron C Brooks

(74) *Attorney, Agent, or Firm* — Greensfelder, Hemker & Gale, P.C.

(57) **CLAIM**

I claim the ornamental design for a bed frame, as shown and described.

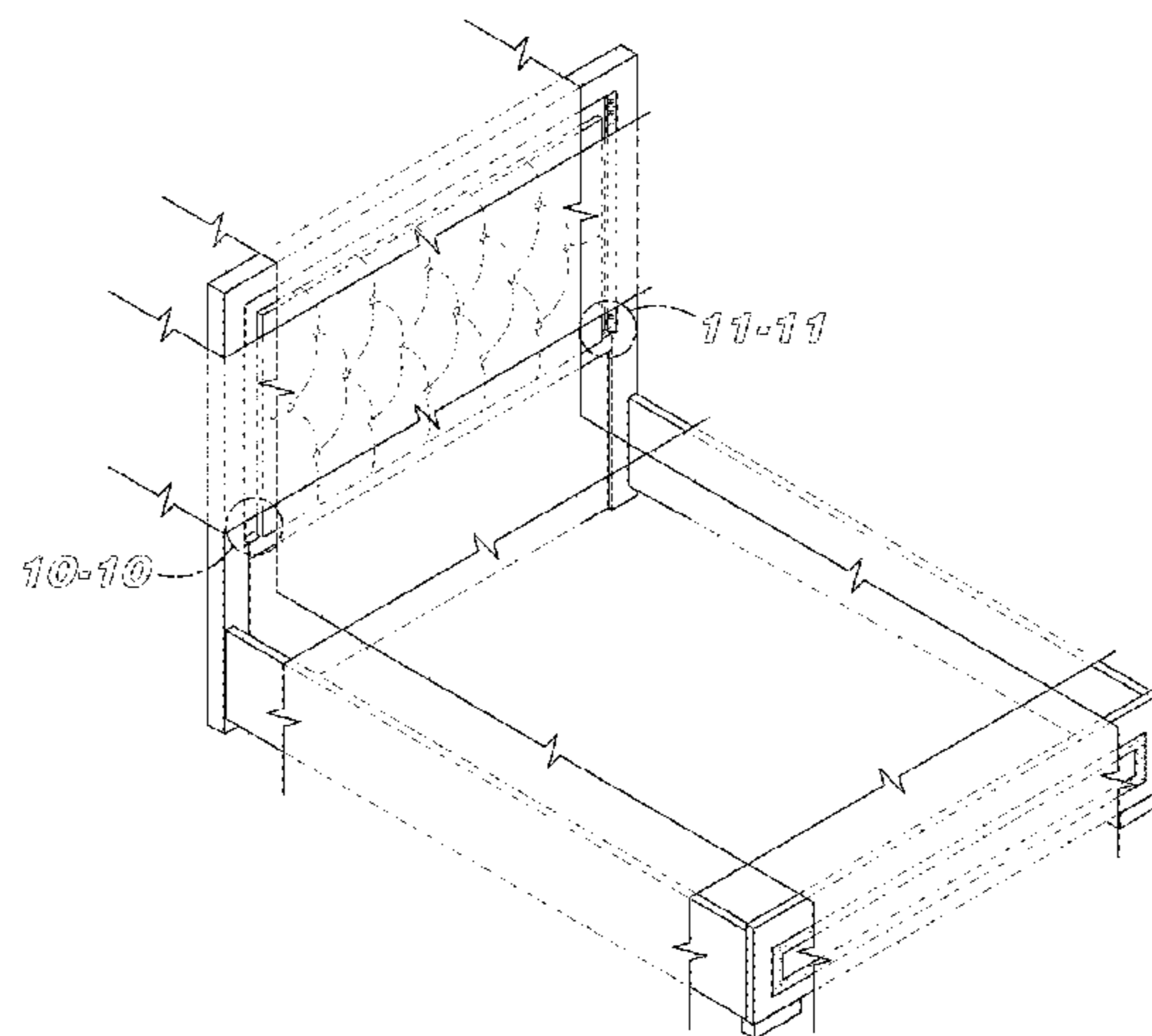
**DESCRIPTION**

FIG. 1 is a perspective plan view of a bed frame in accordance with the present invention;  
 FIG. 2 is a front plan view of the bed frame of FIG. 1;  
 FIG. 3 is an enlarged view of 3-3 of FIG. 2;  
 FIG. 4 is a first side plan view of the bed frame of FIG. 1;  
 FIG. 5 is a cross-sectional view of 5-5 of FIG. 2;  
 FIG. 6 is a second side plan view of the bed frame of FIG. 1;  
 FIG. 7 is a rear plan view of the bed frame of FIG. 1;  
 FIG. 8 is a bottom plan view of the bed frame of FIG. 1;  
 FIG. 9 is a top plan view of the bed frame of FIG. 1;  
 FIG. 10 is an enlarged view of 10-10 of FIG. 1; and,  
 FIG. 11 is an enlarged view of 11-11 of FIG. 1.

The bed frame is shown with symbolic break lines. The appearance of any portion of the article between the break lines forms no part of the claimed design.

The broken lines shown in the drawings illustrate portions of the bed frame that form no part of the claimed design.

**1 Claim, 7 Drawing Sheets**



(56)

**References Cited**

U.S. PATENT DOCUMENTS

D631,272 S	1/2011	O'Brien et al.	
D632,112 S	2/2011	Sakuma	
D674,630 S	1/2013	Schmitt	
D675,848 S *	2/2013	Roser, Jr. ....	D6/718.13
D691,019 S	10/2013	Sakuma	
D702,473 S *	4/2014	Litt .....	D6/718.23
D720,981 S	1/2015	Kaishian et al.	
D734,052 S *	7/2015	Glattstein .....	D6/393
D734,053 S *	7/2015	Glattstein .....	D6/393
D771,428 S	11/2016	Schmitt	
D772,631 S	11/2016	Schmitt	
2009/0079311 A1	3/2009	Lai	

\* cited by examiner

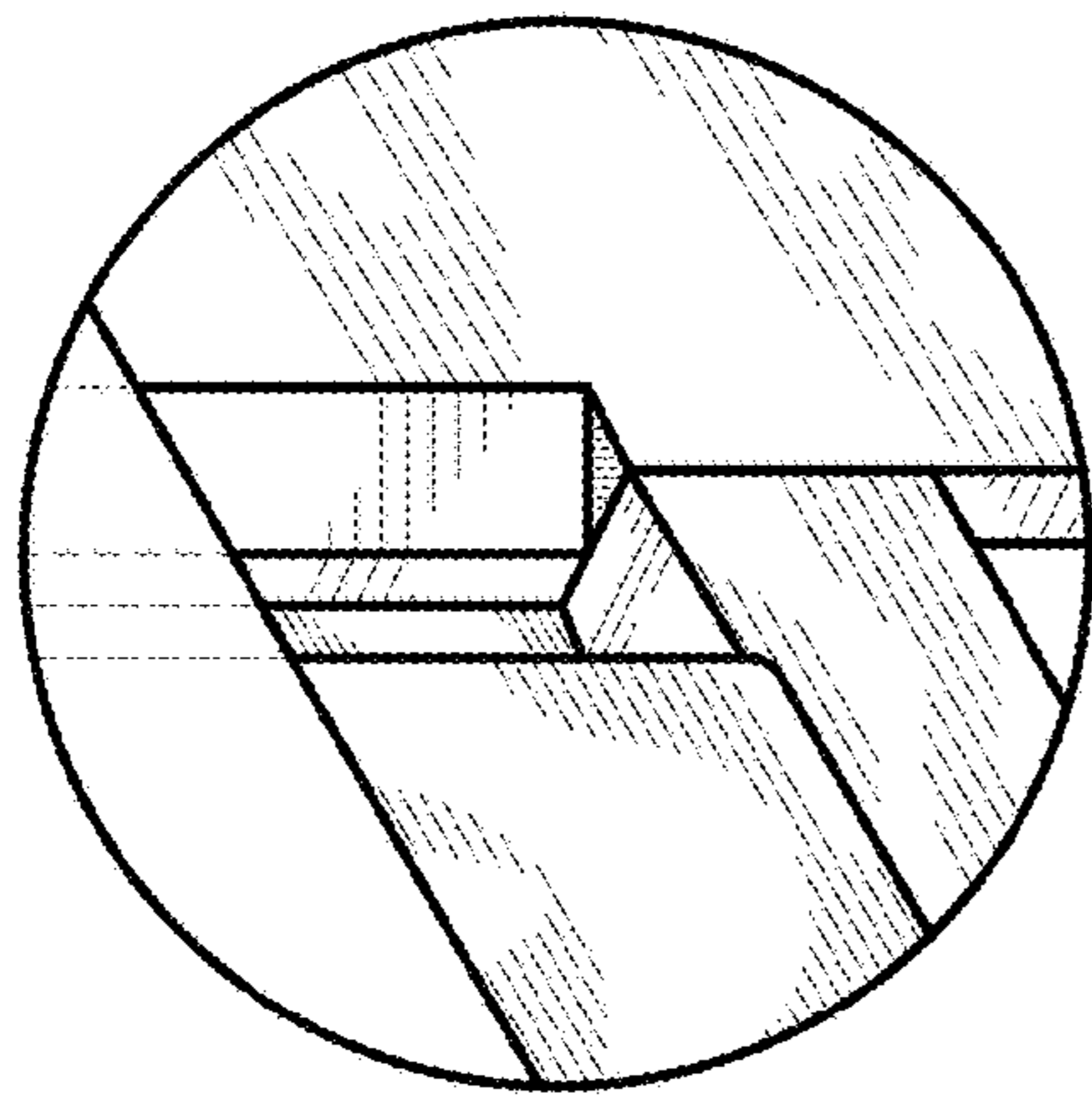


FIG. 11

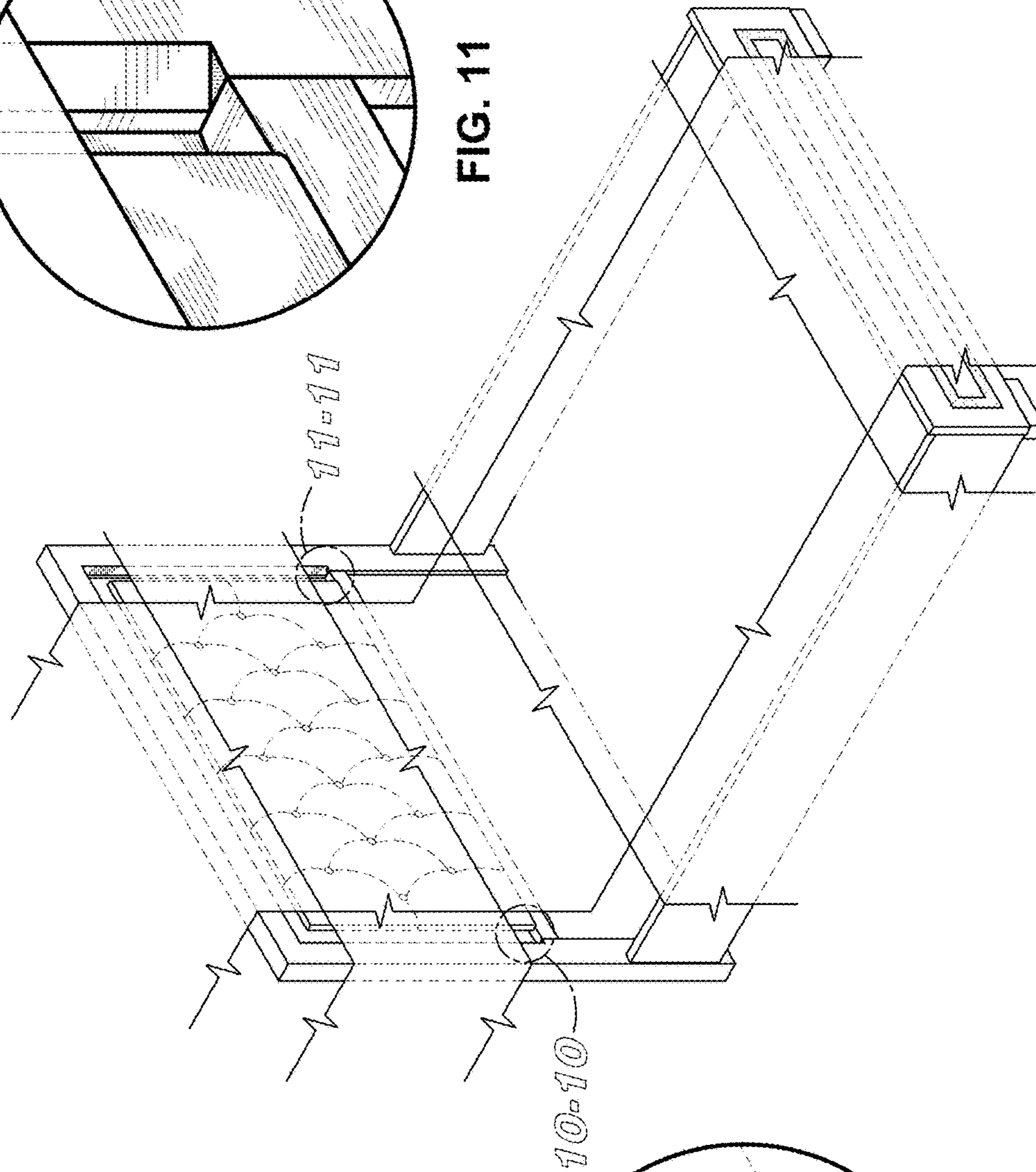


FIG. 1

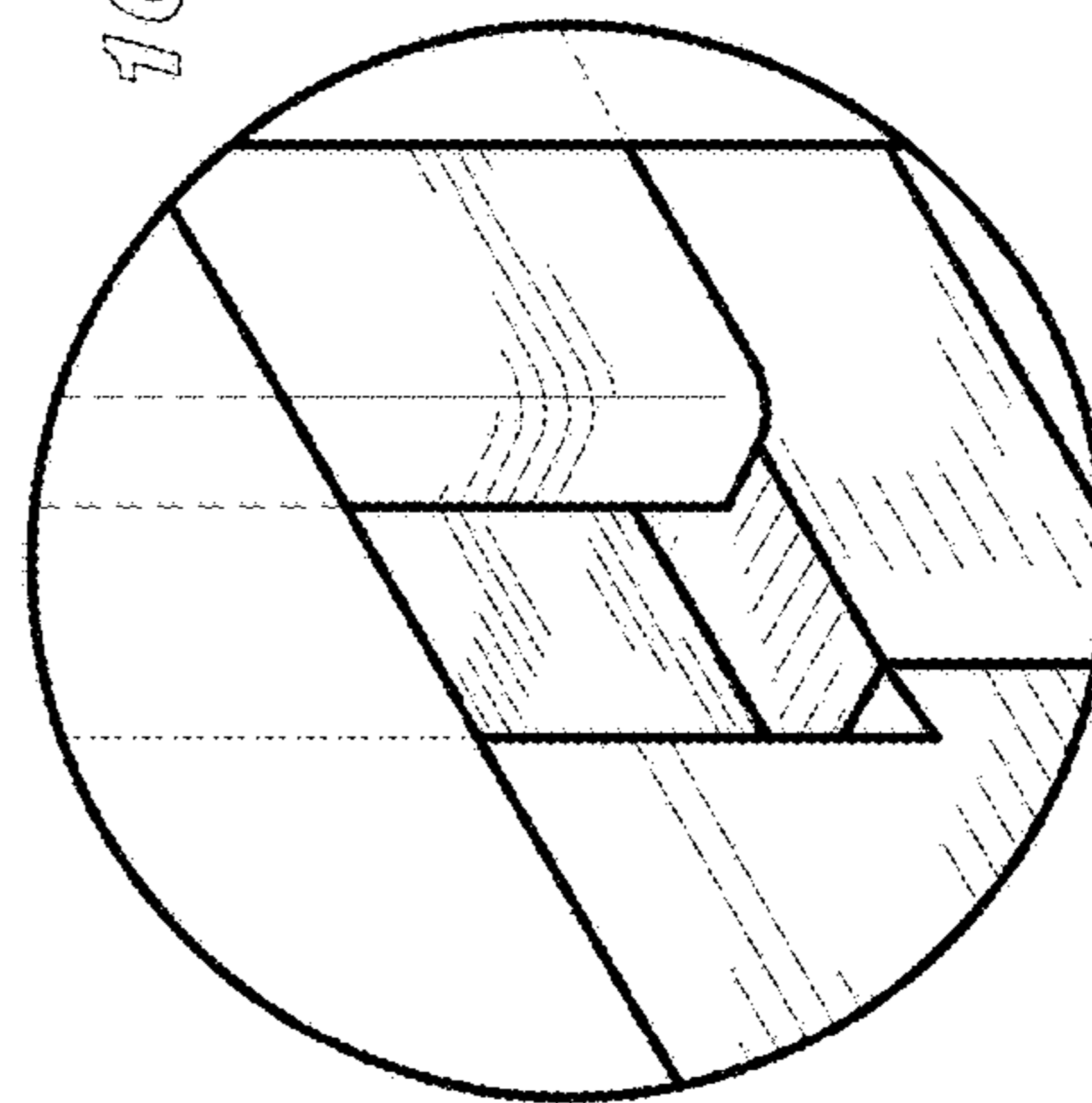


FIG. 10

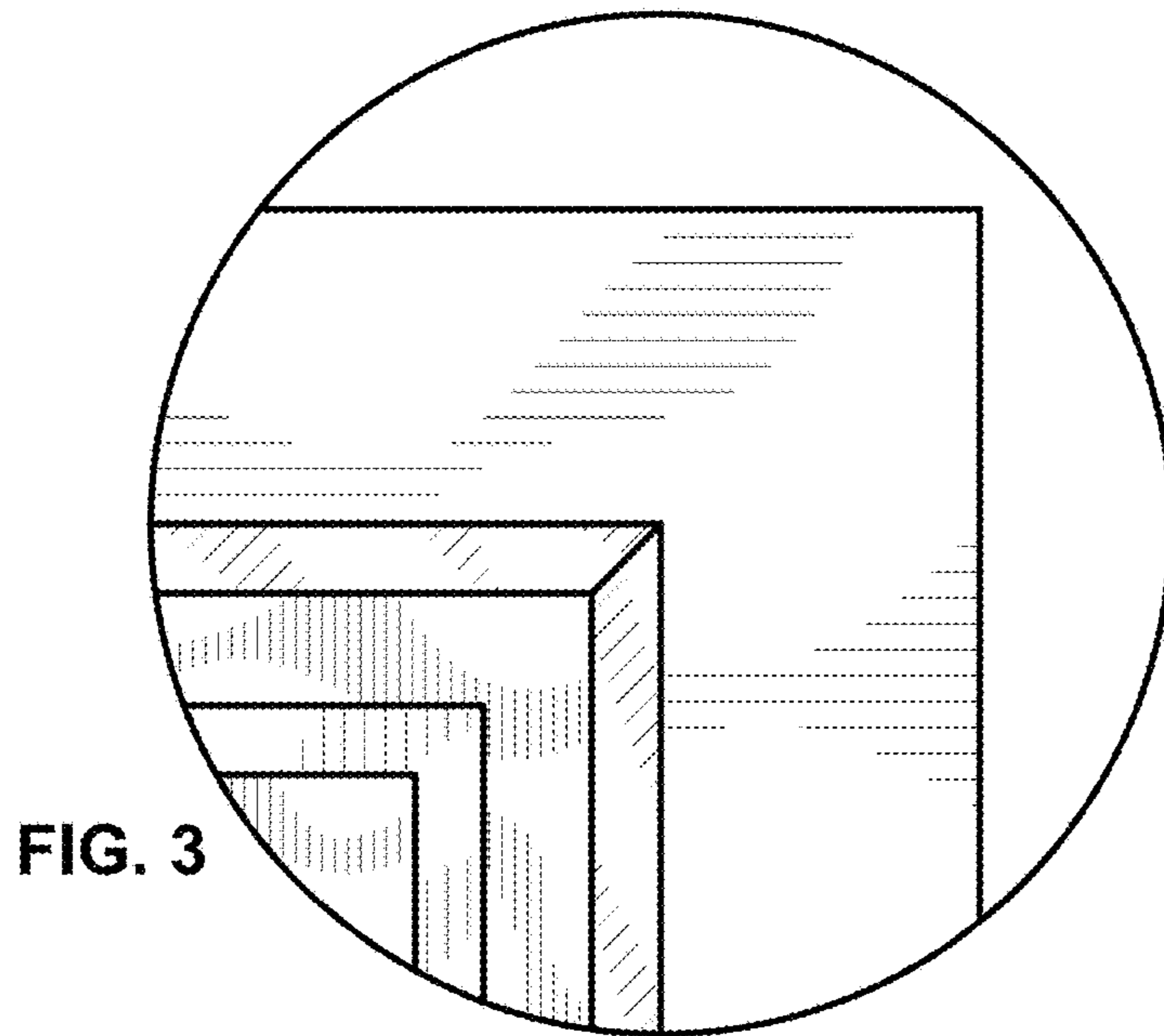


FIG. 3

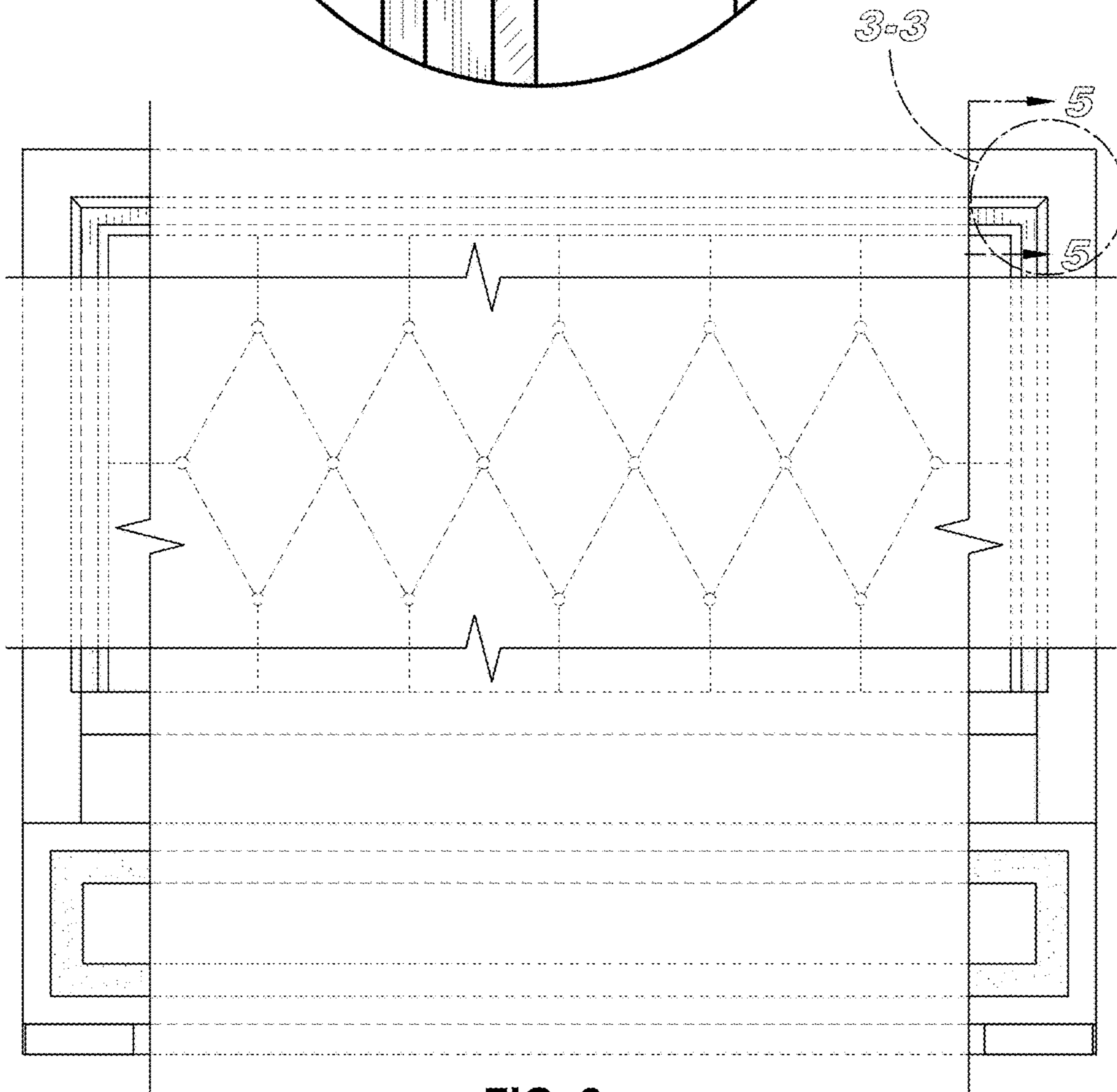


FIG. 2

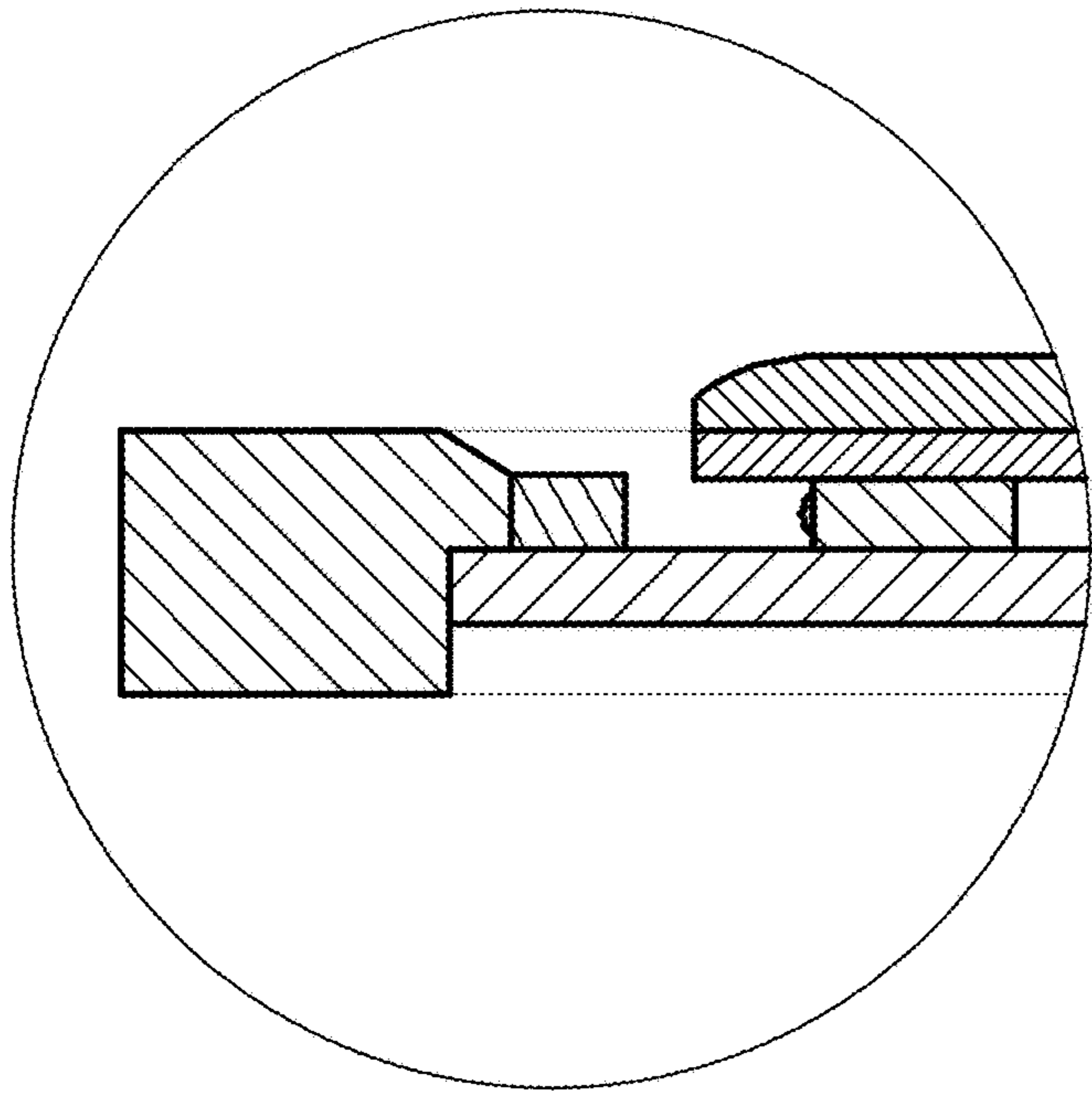


FIG. 5

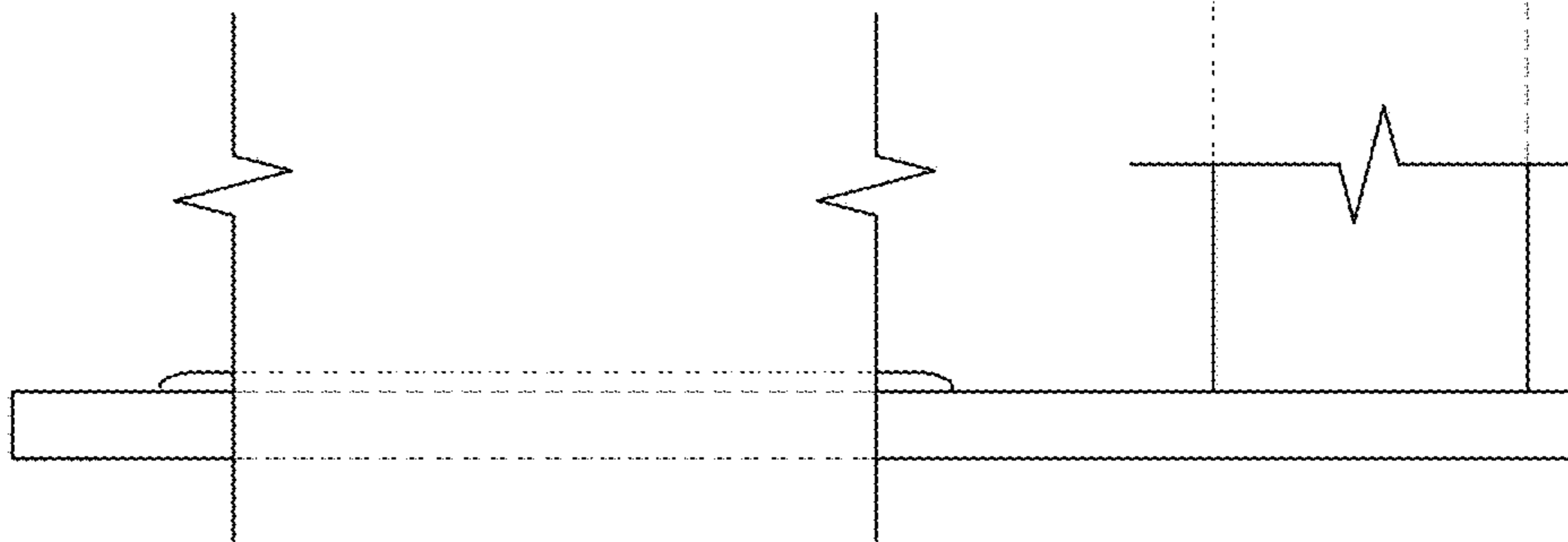


FIG. 4

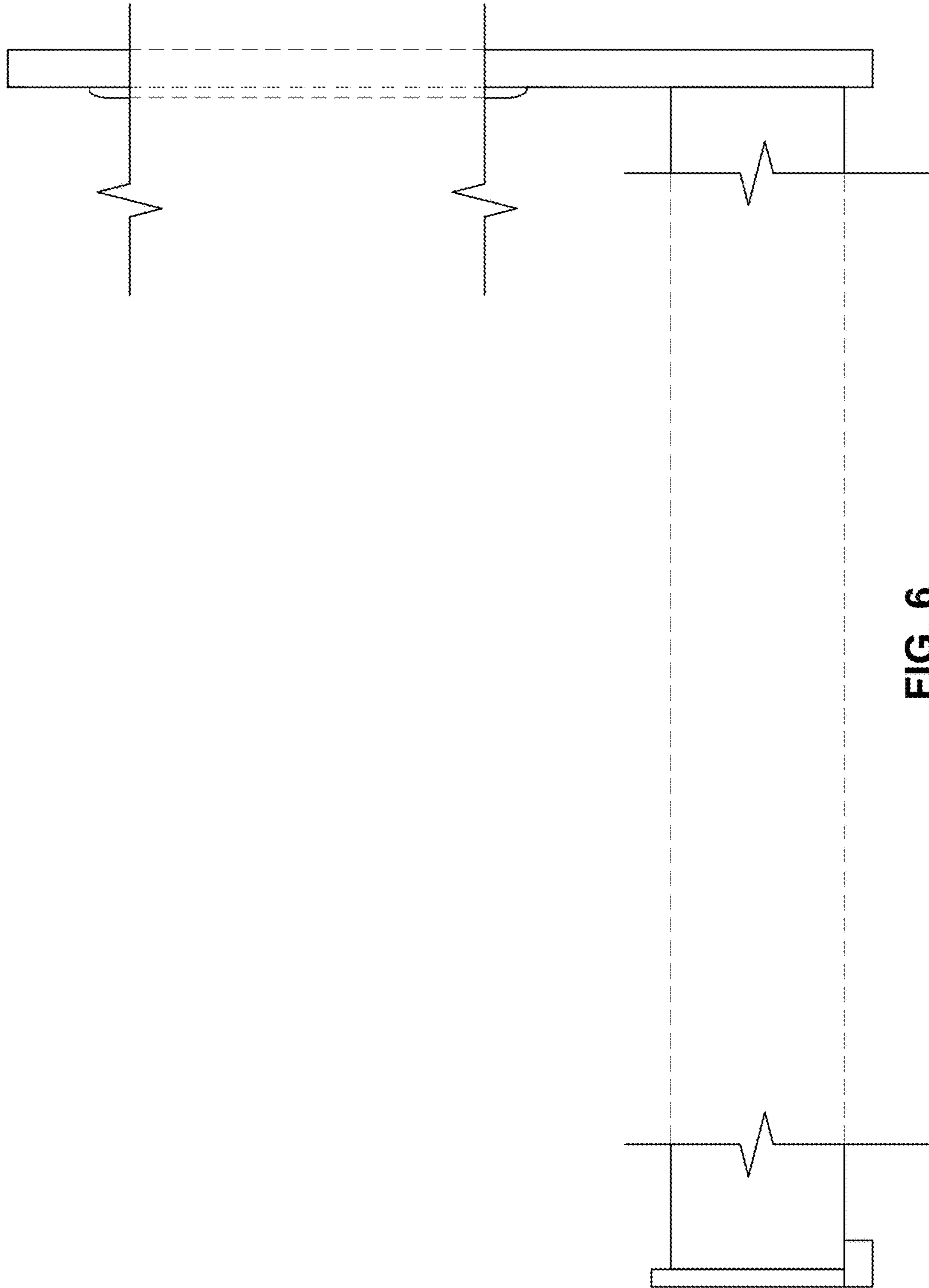


FIG. 6

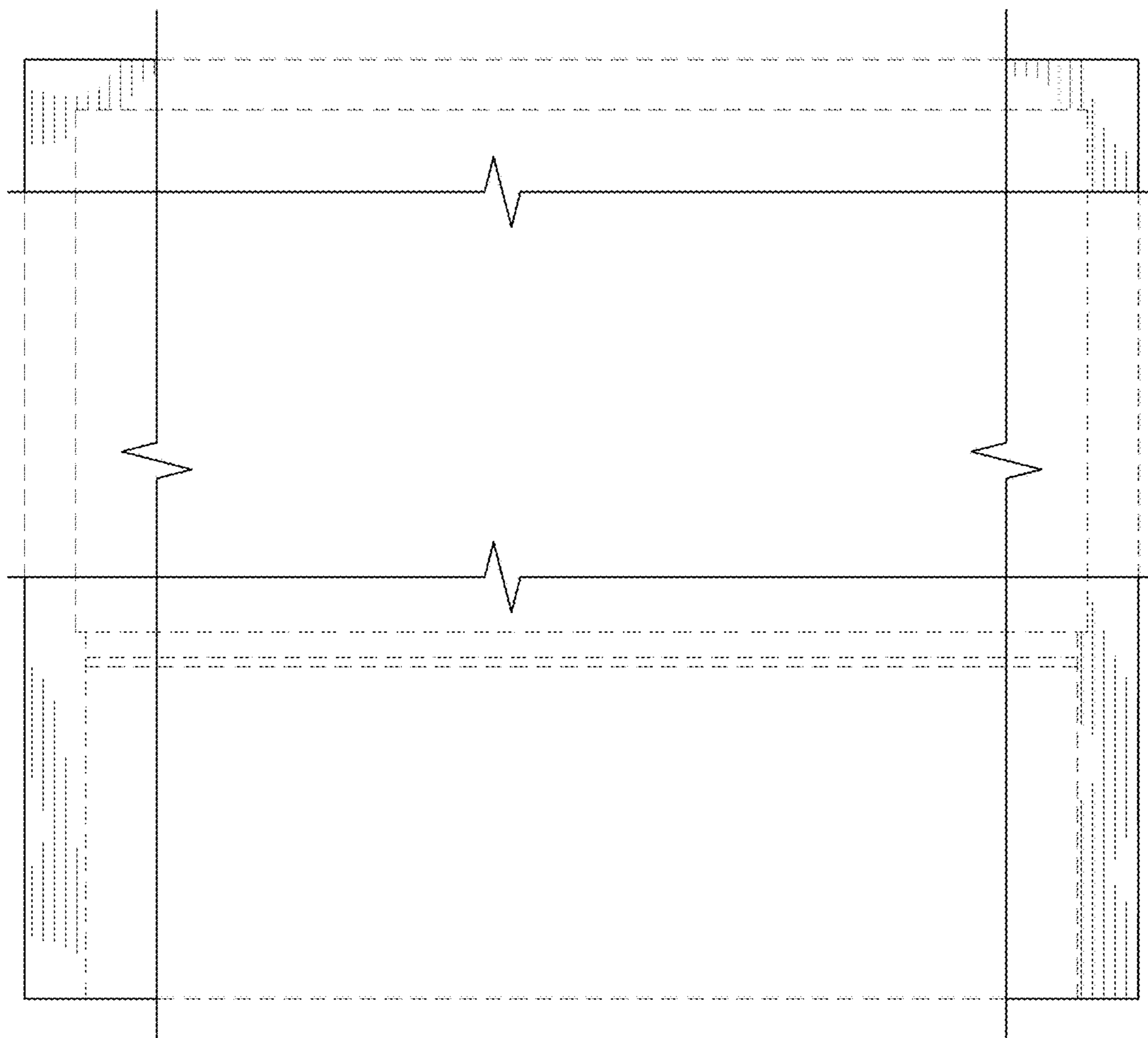


FIG. 7

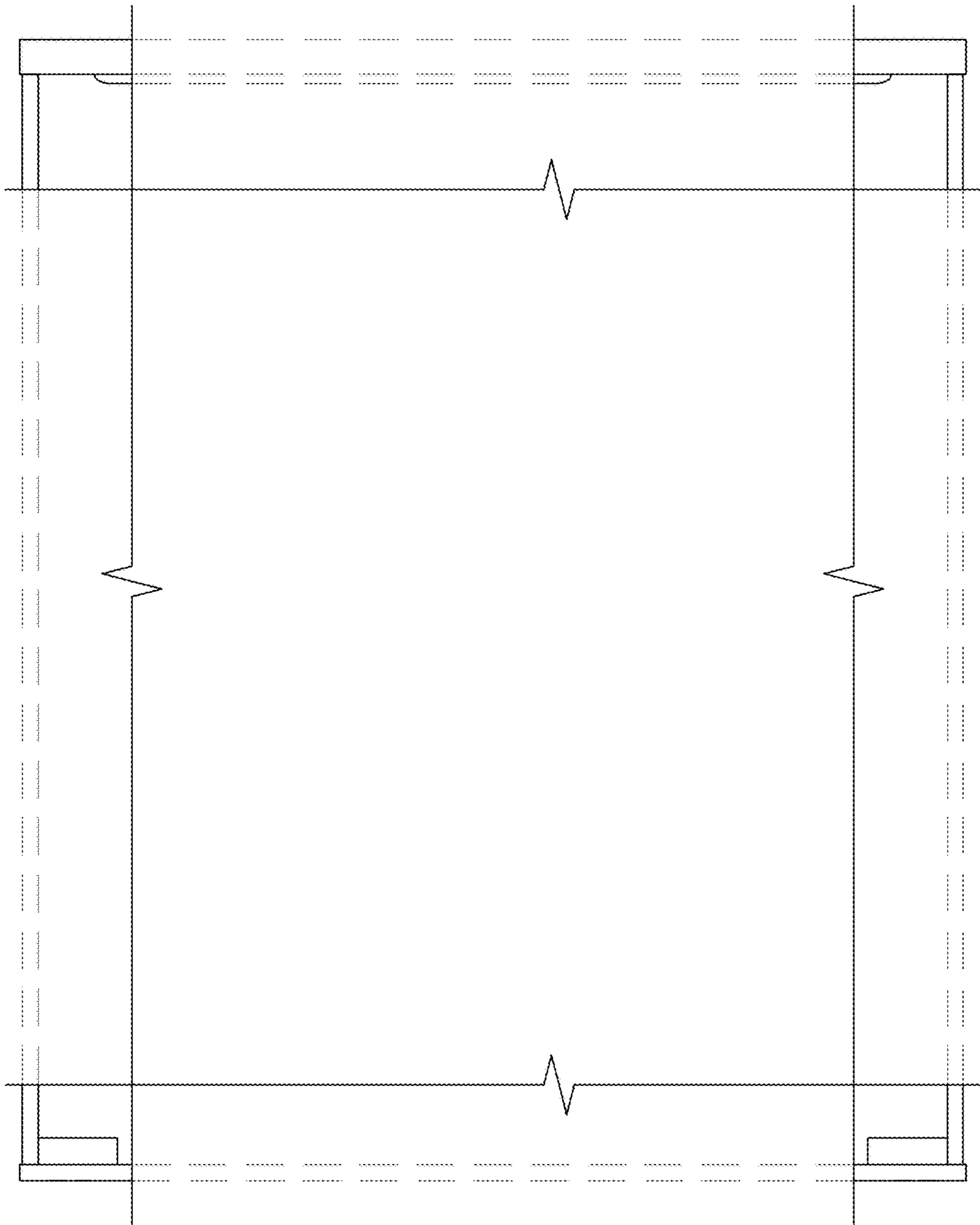


FIG. 8



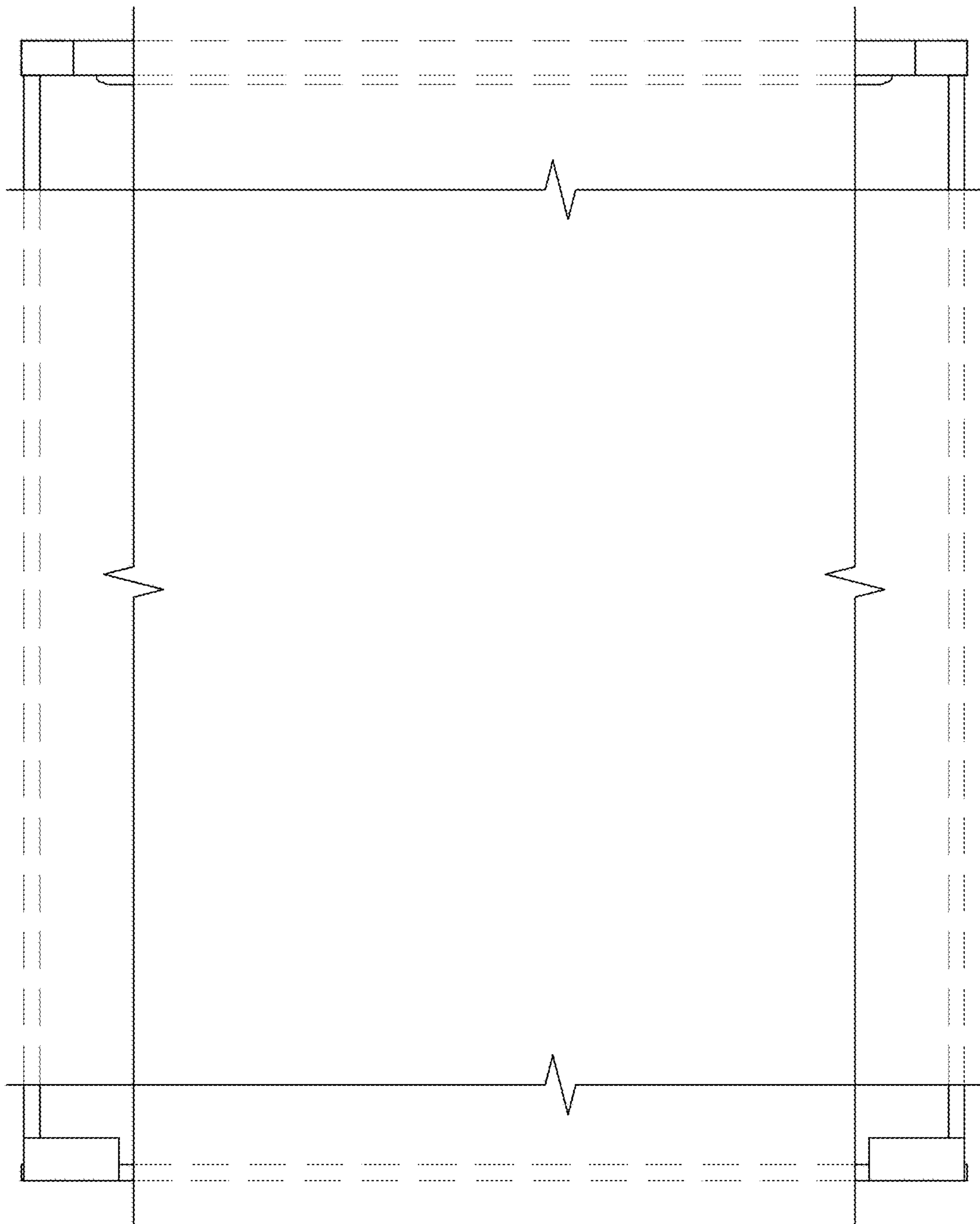


FIG. 9