



US00D843123S

(12) **United States Design Patent**  
**Bryant**

(10) **Patent No.:** **US D843,123 S**  
(45) **Date of Patent:** **\*\* Mar. 19, 2019**

- (54) **ENTERTAINMENT CHAIR**
- (71) Applicant: **Jerry W. Bryant**, Fort Lauderdale, FL (US)
- (72) Inventor: **Jerry W. Bryant**, Fort Lauderdale, FL (US)
- (\*\*) Term: **15 Years**
- (21) Appl. No.: **29/658,421**
- (22) Filed: **Jul. 31, 2018**

D197,215 S *	12/1963	Dreyfuss	.....	52/79.1
D197,497 S *	2/1964	Heidemann	.....	D25/16
D222,806 S *	1/1972	Wise	.....	D6/337
D272,782 S *	2/1984	Shelton	.....	D6/675
D490,118 S *	5/2004	Jackson, Sr.	.....	D21/326
D493,843 S *	8/2004	Jackson, Sr.	.....	D21/326
D500,098 S *	12/2004	Doi	.....	D21/326
D733,440 S *	7/2015	McGarth	.....	D6/335
D733,441 S *	7/2015	McGrath	.....	D6/335
D763,585 S *	8/2016	Morozan	.....	D6/335
D771,273 S *	11/2016	Geier	.....	D25/16
D808,670 S *	1/2018	Bryant	.....	D6/335
D824,183 S *	7/2018	Bryant	.....	D6/335
2009/0084387 A1 *	4/2009	Casteras Farre	.....	A47C 13/00 128/845

**Related U.S. Application Data**

- (60) Continuation of application No. 29/634,423, filed on Jan. 22, 2018, now abandoned, which is a division of application No. 29/583,753, filed on Nov. 8, 2016, now Pat. No. Des. 808,670.
- (51) **LOC (11) Cl.** ..... **06-01**
- (52) **U.S. Cl.**  
USPC ..... **D6/335**
- (58) **Field of Classification Search**  
USPC ..... D6/334-336, 360, 361, 367, 368,  
D6/371-375, 379-381, 716, 716.1-716.8;  
D21/326, 327; D25/16  
CPC .... A47C 1/00; A47C 1/12; A47C 3/00; A47C  
3/12; A47C 15/008  
See application file for complete search history.

**References Cited**

**U.S. PATENT DOCUMENTS**

D195,024 S *	4/1963	McGee et al.	.....	D25/16
D197,005 S *	12/1963	Beekenkamp et al.	.....	D25/16

\* cited by examiner

*Primary Examiner* — Deanna L Pratt

(74) *Attorney, Agent, or Firm* — Nancy J. Flint, Attorney at Law, P.A.; Nancy J. Flint, Esq.

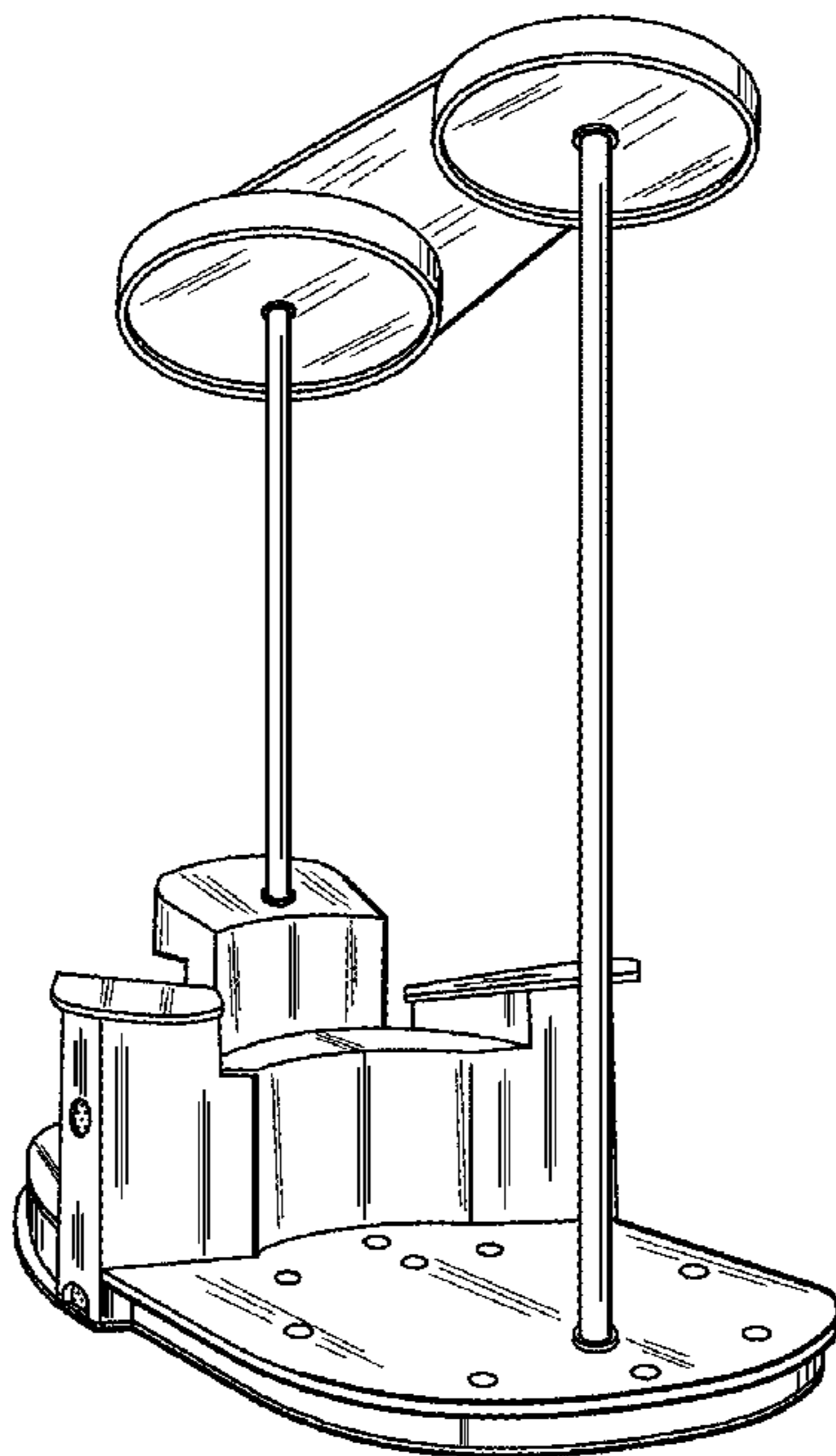
(57) **CLAIM**

The ornamental design for an entertainment chair, as shown and described.

**DESCRIPTION**

FIG. 1 is a front perspective view of an entertainment chair showing my new design;  
 FIG. 2 is a front view showing the entertainment chair;  
 FIG. 3 is a left side view showing the entertainment chair;  
 FIG. 4 is a rear view showing the entertainment chair; and,  
 FIG. 5 is a top view showing the entertainment chair.  
 Right side view not shown is a mirror image of the left side view. Bottom view not shown is not part of the design sought to be patented.

**1 Claim, 5 Drawing Sheets**



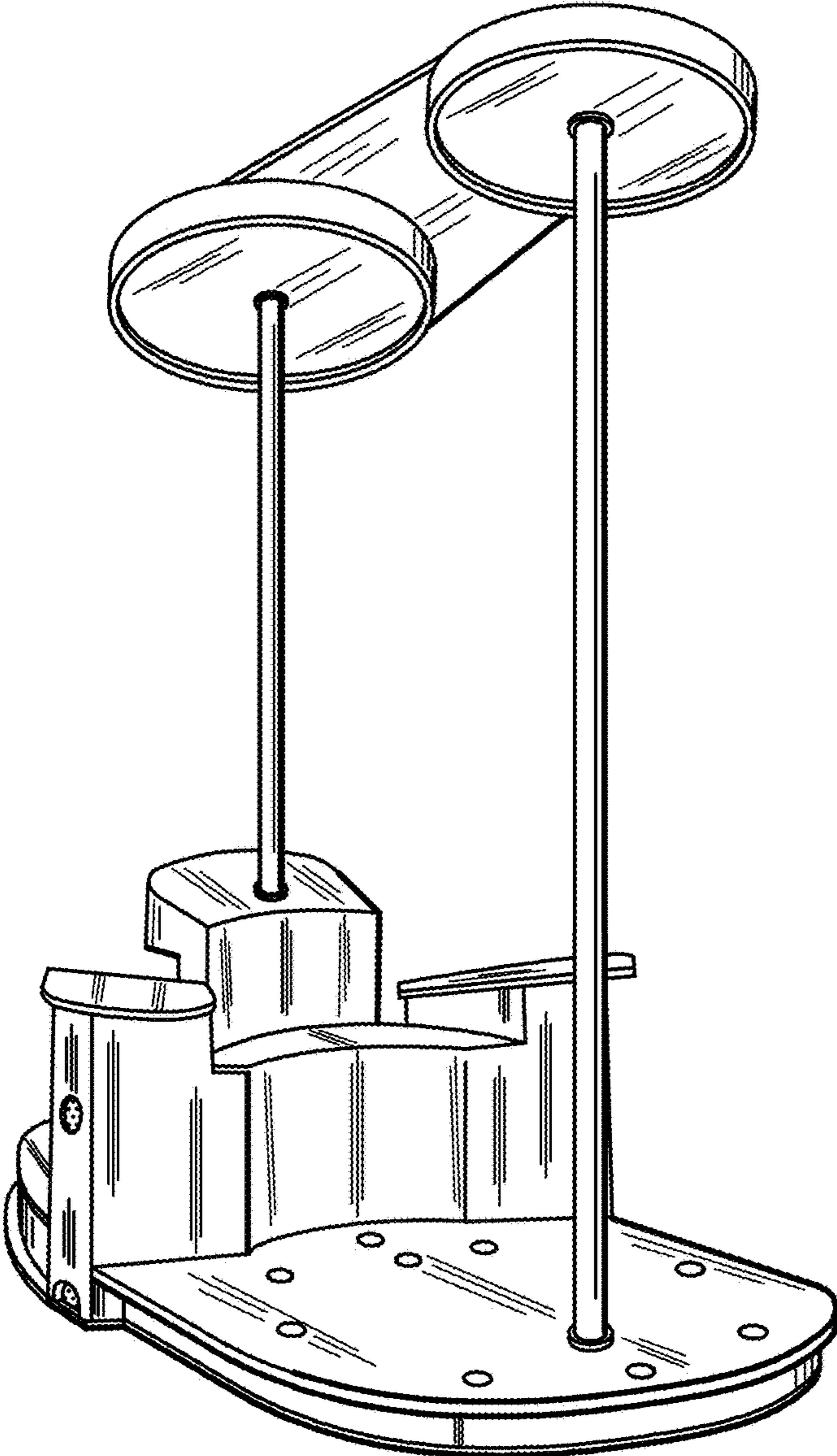


FIG. 1

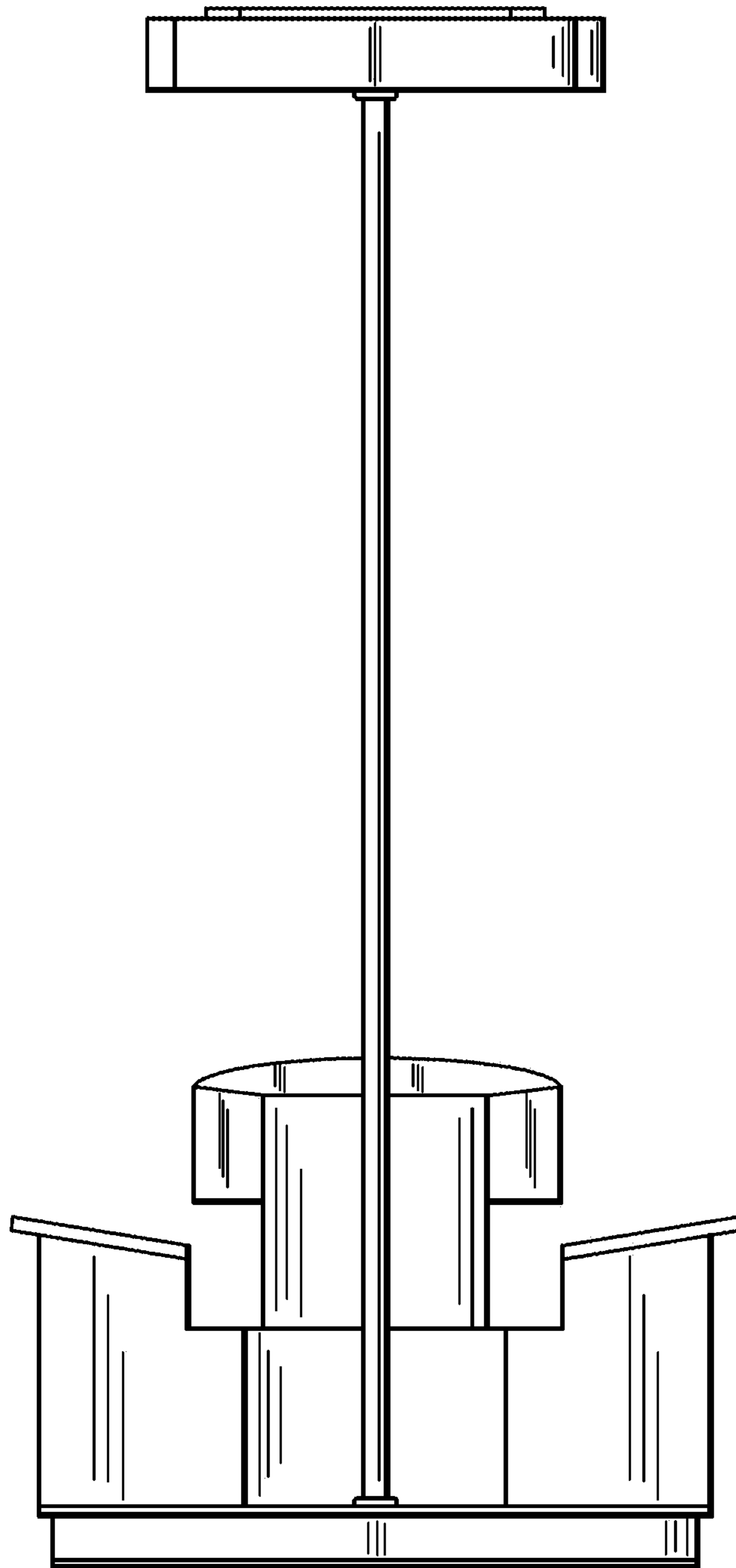


FIG. 2

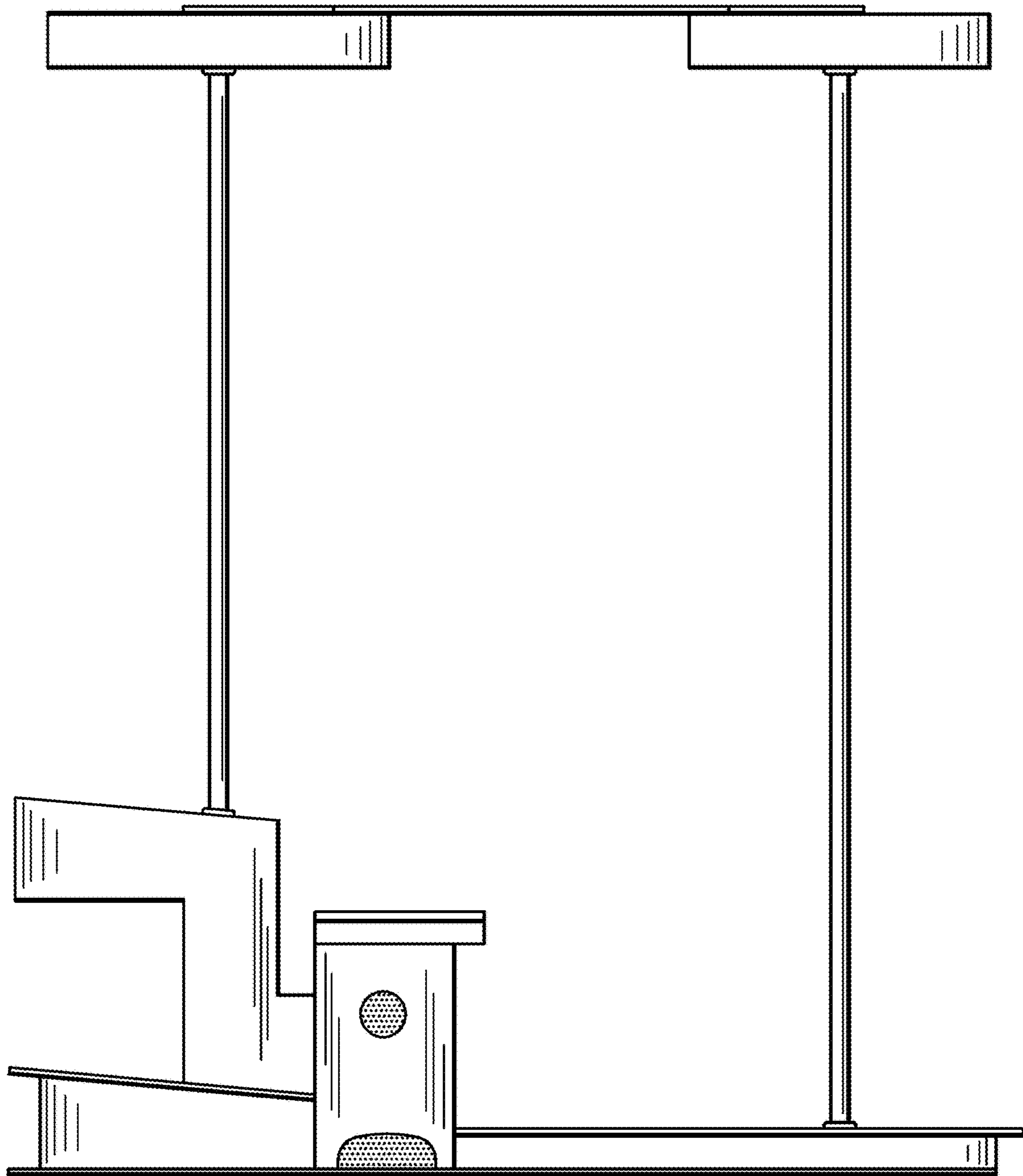


FIG. 3

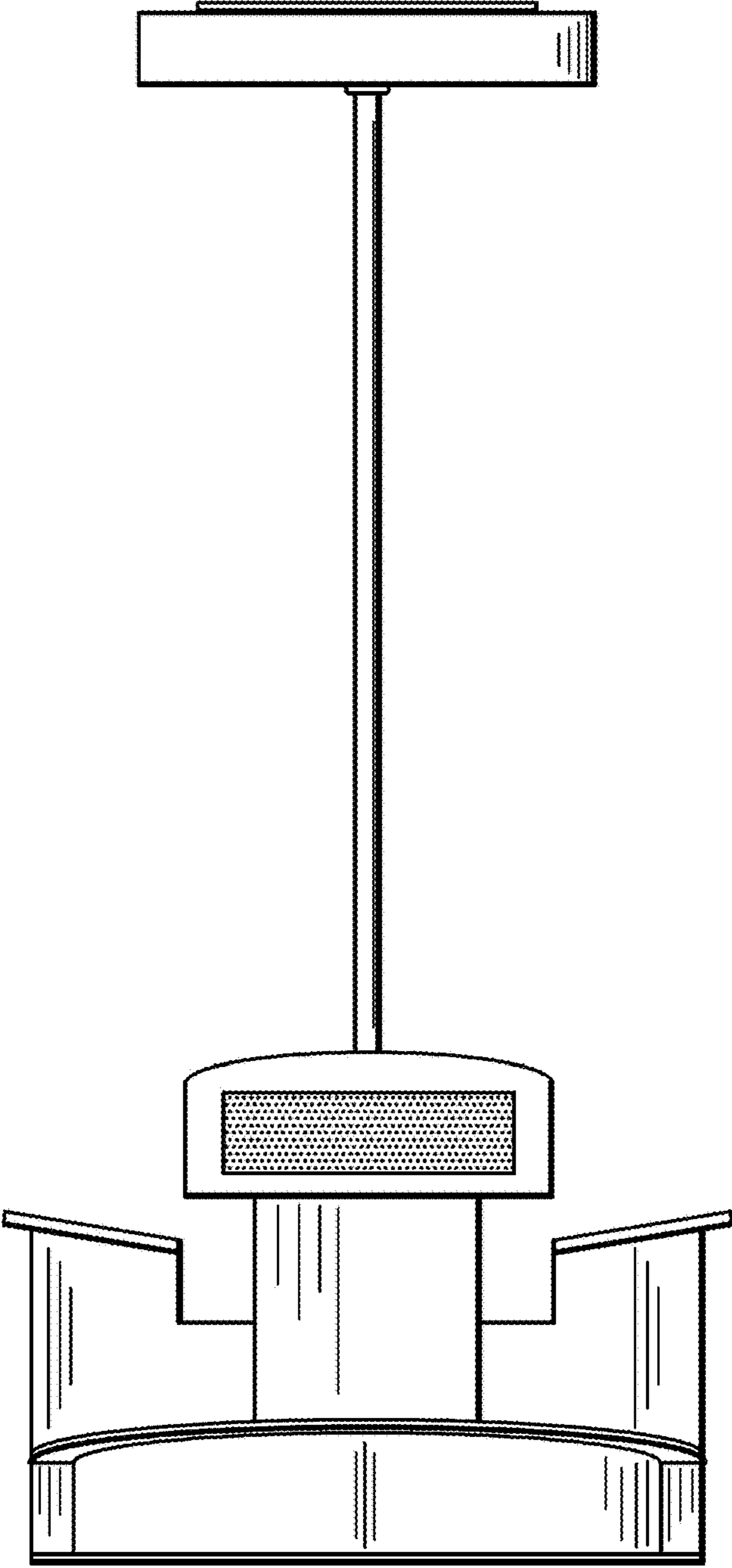


FIG. 4

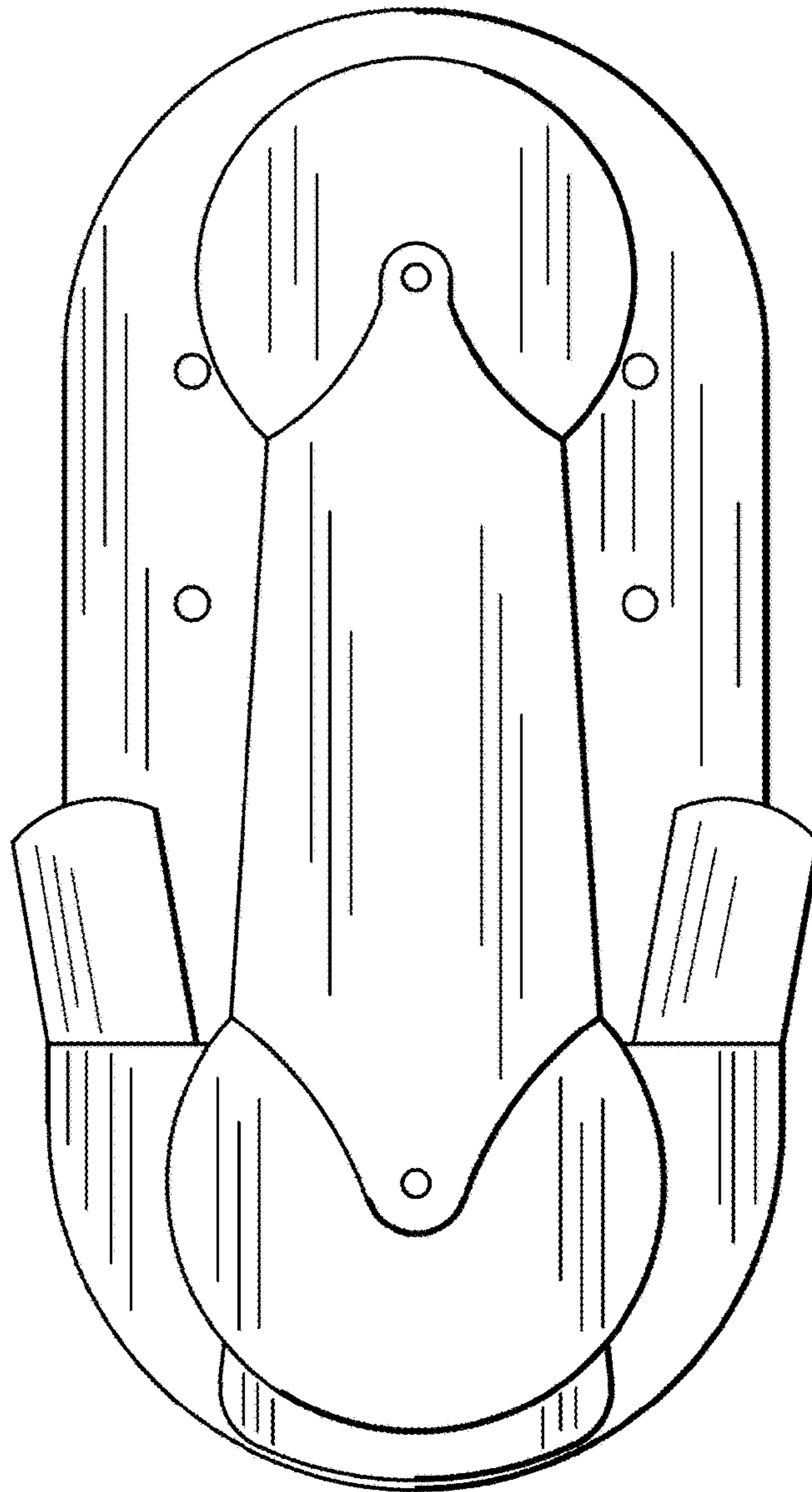


FIG. 5