



US00D843122S

(12) **United States Design Patent** (10) **Patent No.:** **US D843,122 S**
Kihl (45) **Date of Patent:** **** Mar. 19, 2019**

(54) **CHAIR WITH MONITOR FOR ADVERTISEMENT**
 (71) Applicant: **LG ELECTRONICS INC.**, Seoul (KR)
 (72) Inventor: **Hewon Kihl**, Seoul (KR)
 (73) Assignee: **LG ELECTRONICS INC.**, Seoul (KR)
 (**) Term: **15 Years**
 (21) Appl. No.: **35/503,929**

(22) Filed: **May 10, 2017**

(80) **Hague Agreement Data**
 Int. Filing Date: **May 10, 2017**
 Int. Reg. No.: **DM/096067**
 Int. Reg. Date: **May 10, 2017**
 Int. Reg. Pub. Date: **Nov. 10, 2017**

(30) **Foreign Application Priority Data**
 Nov. 11, 2016 (KR) 30-2016-0054466
 (51) **LOC (11) Cl.** **06-06**
 (52) **U.S. Cl.**
 USPC **D6/332; D20/19**
 (58) **Field of Classification Search**
 USPC D20/10, 99, 19, 39, 42, 43, 27; D6/332, D6/682.5, 672, 677, 677.4, 678.3, 680.1, D6/680.2, 682.1, 682.3; D14/126, 371; D19/113; D24/160; D10/30, 38
 CPC G09F 15/00; G09F 15/0056; G09F 1/10; G09F 1/12; G09F 15/0006; G09F 15/0018; A47G 5/00; E04B 2/7422
 See application file for complete search history.

(56) **References Cited**
 U.S. PATENT DOCUMENTS
 6,655,062 B1 * 12/2003 Meeker G09F 15/0006 40/611.05
 D526,215 S * 8/2006 Calvani D10/38
 D576,974 S * 9/2008 Kim D14/126
 D680,090 S * 4/2013 Serota D14/126
 D752,996 S * 4/2016 Ebersold D10/30
 D769,205 S * 10/2016 Woo D14/126
 D778,365 S * 2/2017 Kott D20/43
 D778,366 S * 2/2017 Kott D20/43
 D796,216 S * 9/2017 Rockwell D6/332

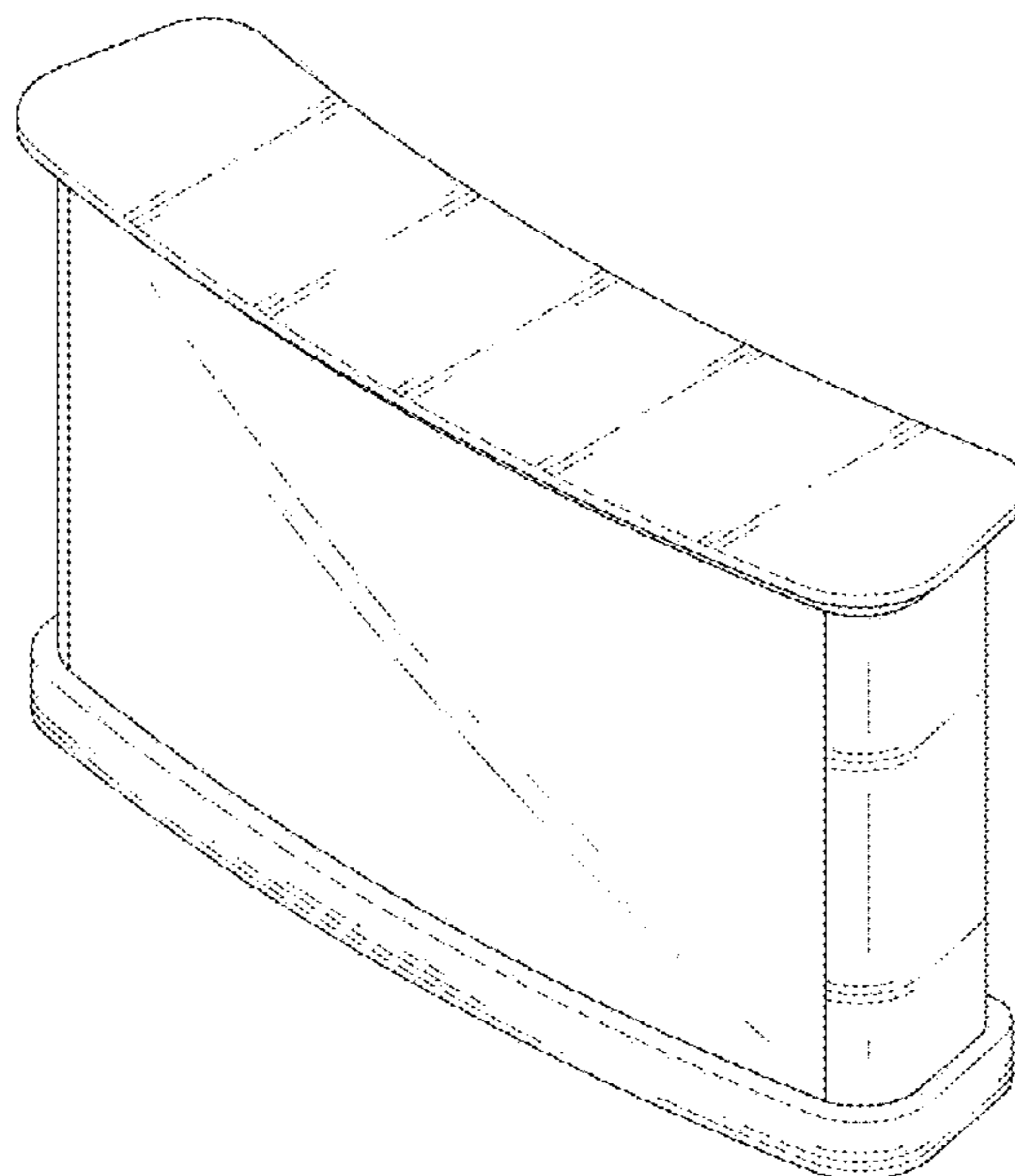
OTHER PUBLICATIONS
 GeneTouch Corp. GTWMK-5. 2016 [earliest online date], [site visited Aug. 15, 2018]. Available from Internet, <URL:http://www.genetouch.com/template/pro_dev_motowmk.aspx>. (Year: 2016).*

* cited by examiner
Primary Examiner — George D. Kirschbaum
Assistant Examiner — Darcey E Heflin
 (74) *Attorney, Agent, or Firm* — Birch, Stewart, Kolasch & Birch, LLP

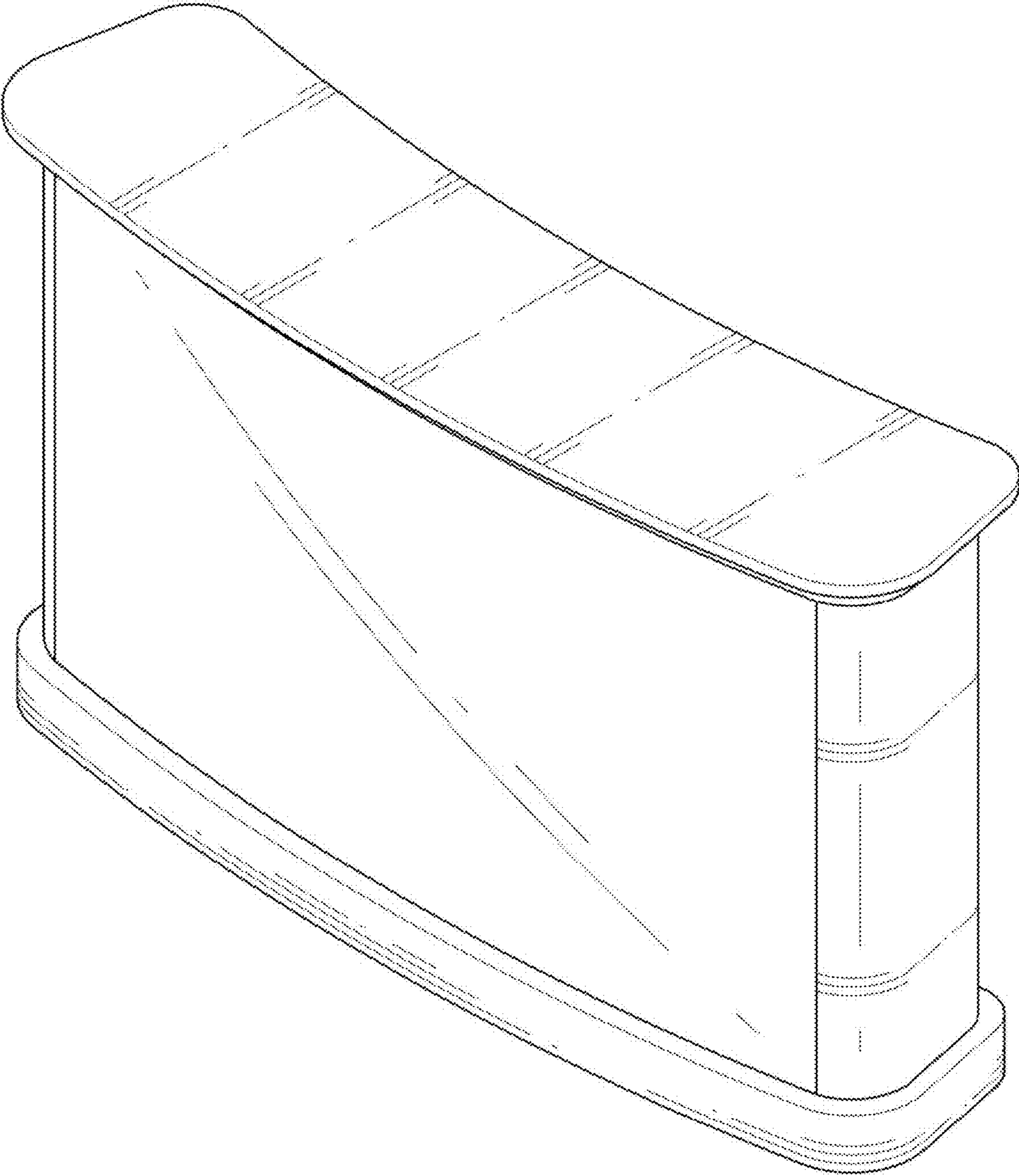
(57) **CLAIM**
 The ornamental design for a chair with monitor for advertisement, as shown and described.

DESCRIPTION
 1. Chair with monitor for advertisement
 1.1 : Perspective
 1.2 : Front
 1.3 : Back
 1.4 : Left
 1.5 : Right
 1.6 : Top
 1.7 : Bottom

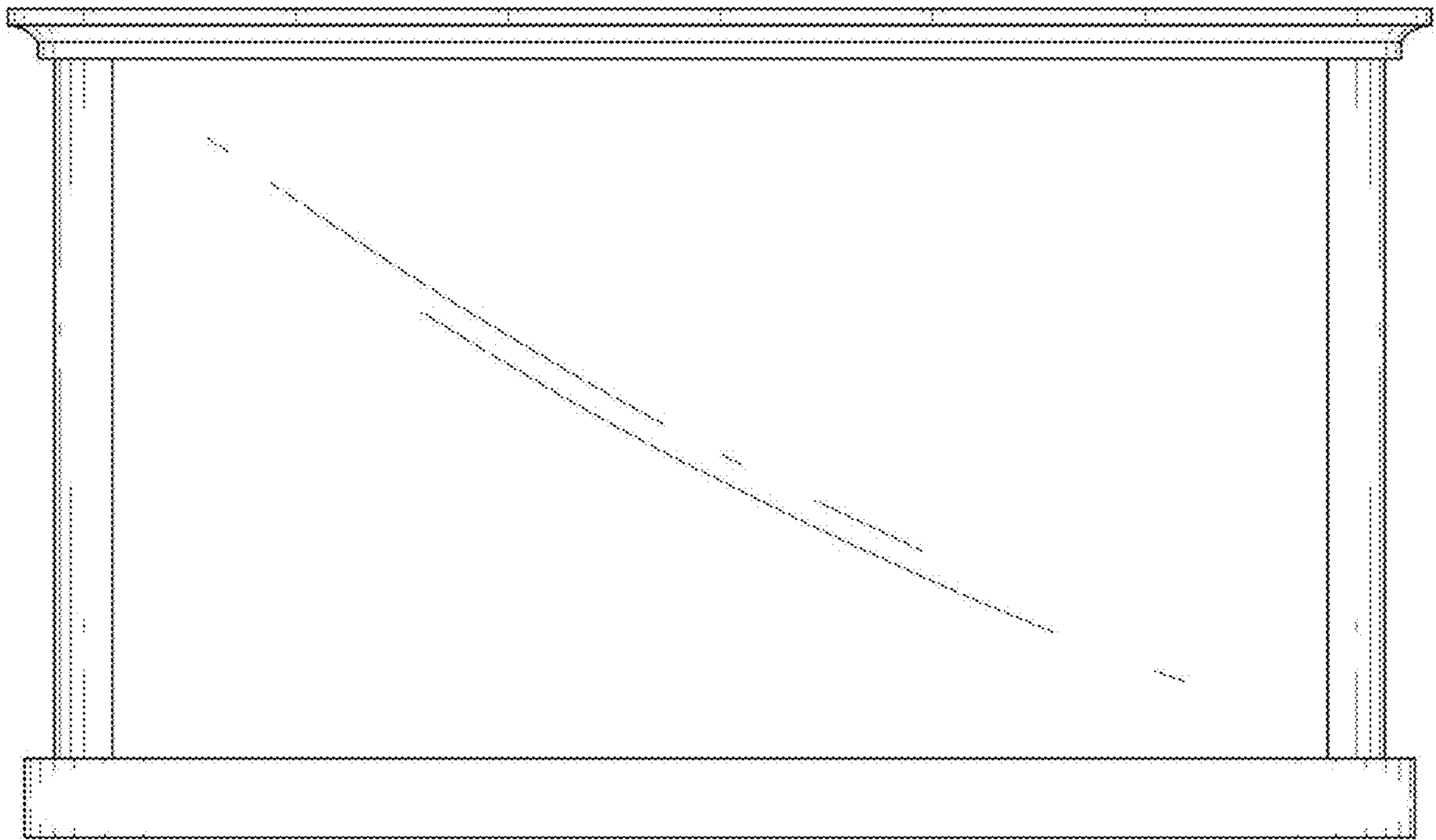
1 Claim, 7 Drawing Sheets



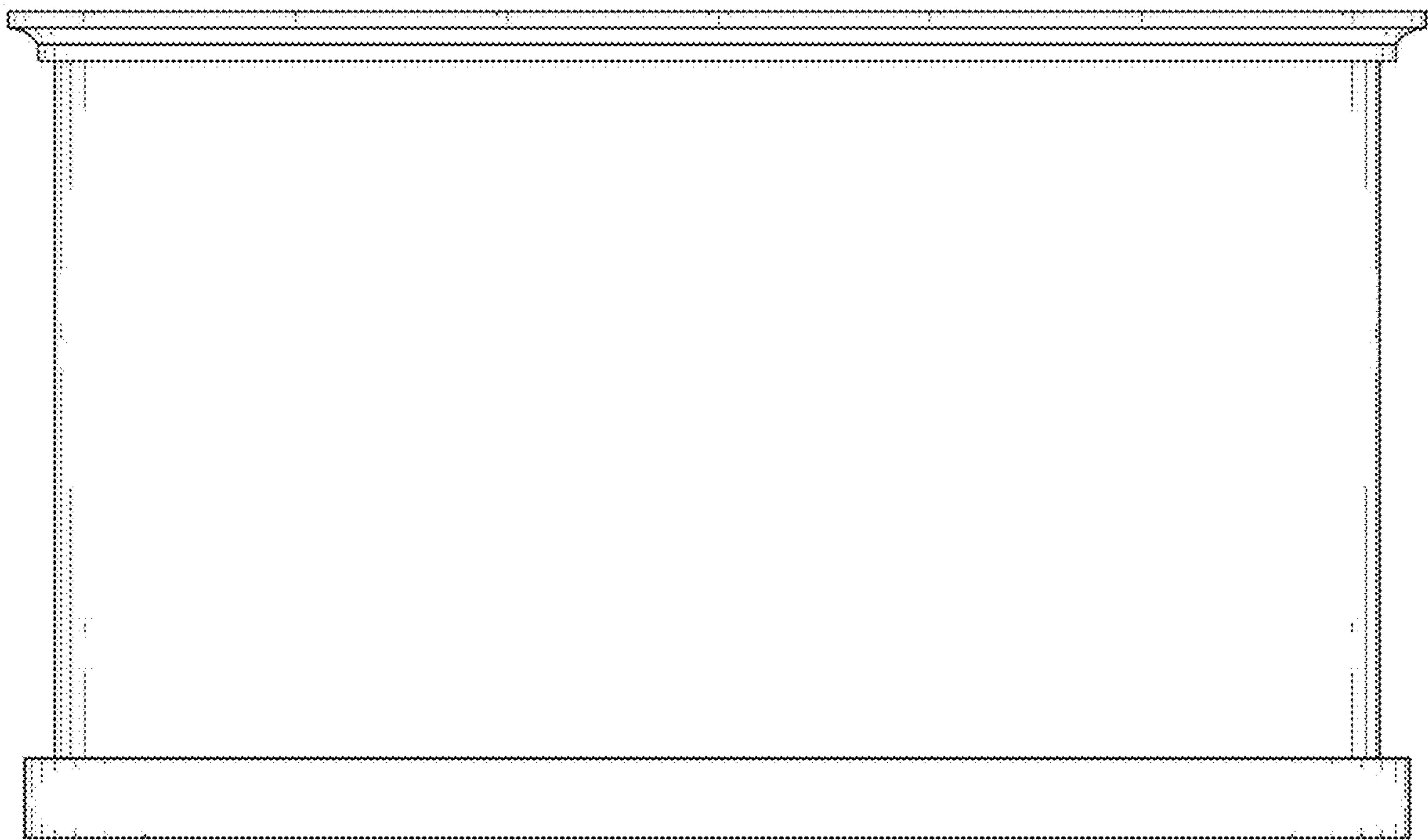
1.1



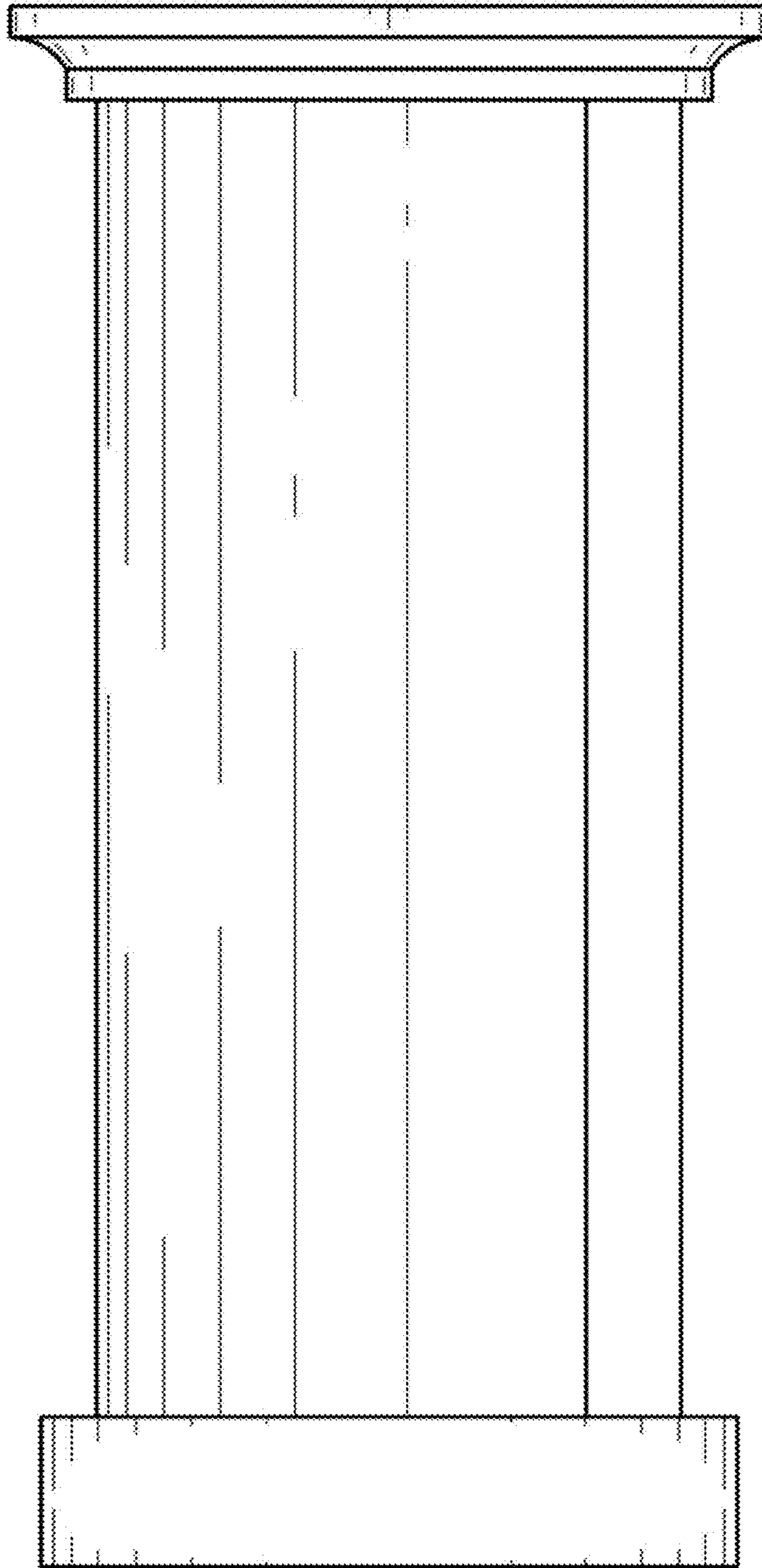
1.2



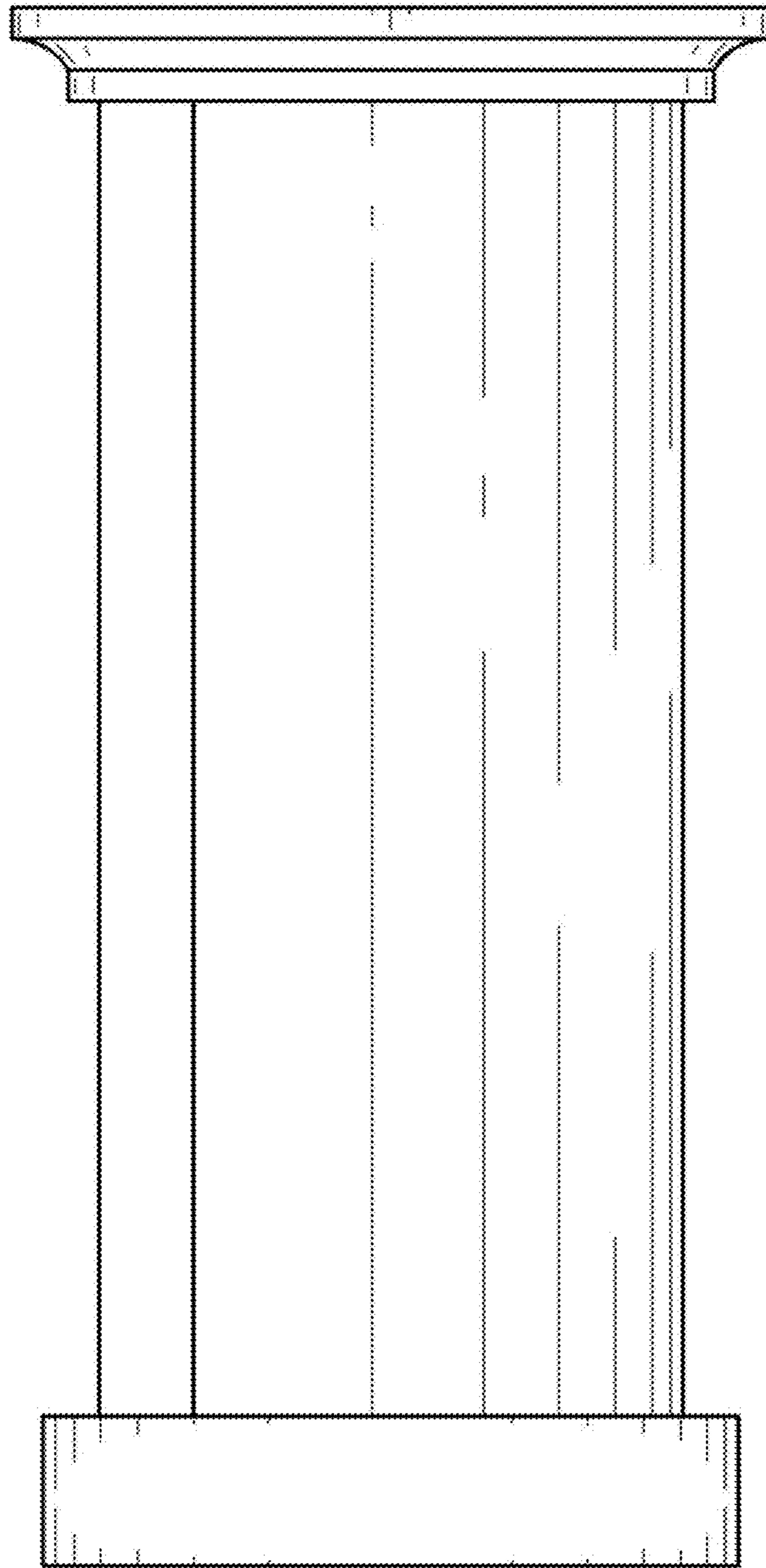
1.3



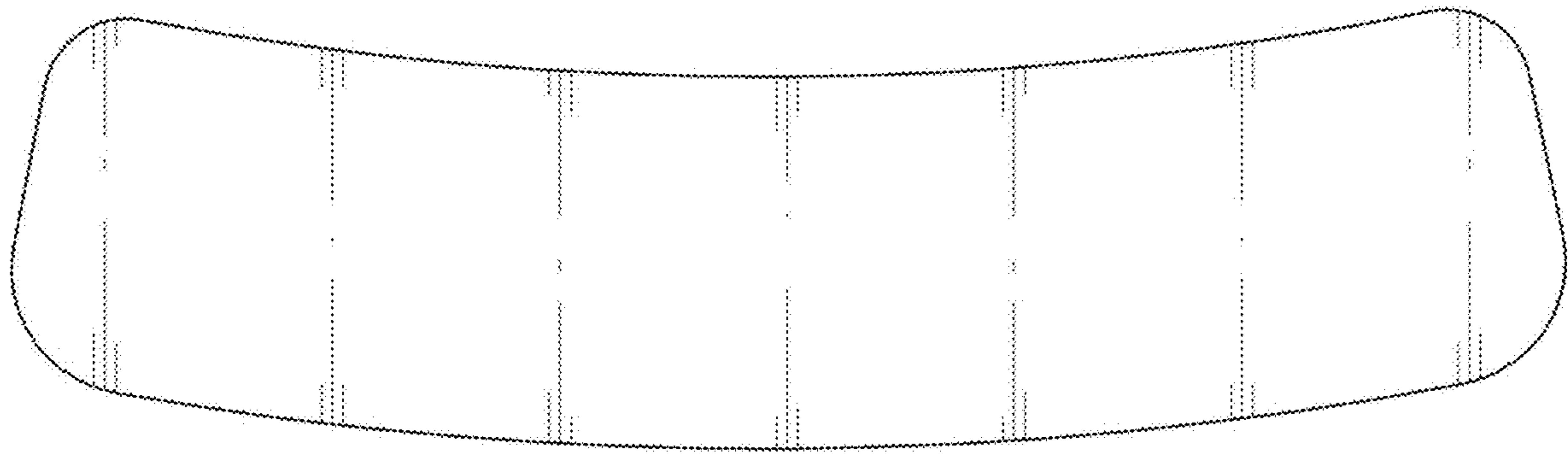
1.4



1.5



1.6



1.7

