



US00D843118S

(12) **United States Design Patent**  
**Shinohara et al.**

(10) **Patent No.:** **US D843,118 S**  
(45) **Date of Patent:** **\*\* Mar. 19, 2019**

- (54) **CLEANING BRUSH**
- (71) Applicant: **Tokyo Electron Limited**, Tokyo (JP)
- (72) Inventors: **Hidetaka Shinohara**, Kumamoto (JP);  
**Osamu Miyahara**, Kumamoto (JP);  
**Kento Kurusu**, Kumamoto (JP)
- (73) Assignee: **Tokyo Electron Limited**, Tokyo (JP)
- (\*\*) Term: **15 Years**
- (21) Appl. No.: **29/607,555**
- (22) Filed: **Jun. 14, 2017**
- (30) **Foreign Application Priority Data**

Dec. 16, 2016 (JP) ..... 2016-027320

- (51) **LOC (11) Cl.** ..... **04-01**
- (52) **U.S. Cl.**  
USPC ..... **D4/137**

- (58) **Field of Classification Search**  
USPC ..... D4/100, 101, 102, 114, 121, 127, 128,  
D4/129, 130, 131, 132, 133, 134, 135,  
D4/136, 137, 138, 199; D30/158;  
D32/40, 41, 42, 19, 25; D15/138;  
D8/70, 71  
CPC .... A46B 5/02; A46B 9/02; A46B 7/06; A46B  
13/02; A46B 15/0022; A46B 2200/3093;  
A46B 9/026; A46B 2200/30; A46B  
2200/3006; A46B 2200/3013; A46B  
2200/3033; A46B 2200/3046; A46B  
2200/306; A46B 2200/3086; B08B 1/00;  
B08B 1/04; H01L 21/304; H01L  
21/67046

See application file for complete search history.

(56) **References Cited**

**U.S. PATENT DOCUMENTS**

- D52,793 S \* 12/1918 Hoffman ..... D9/772
- D307,216 S \* 4/1990 Yuen ..... D32/14.1

- 5,647,083 A \* 7/1997 Sugimoto ..... B08B 1/007  
15/21.1
- 6,412,134 B1 \* 7/2002 Oikawa ..... B08B 1/04  
15/102
- 6,461,442 B1 \* 10/2002 Bush ..... B08B 1/00  
134/2
- 6,643,882 B1 \* 11/2003 Sotozaki ..... B08B 1/007  
15/102
- 6,651,287 B2 \* 11/2003 Oikawa ..... B08B 1/00  
15/102
- 6,842,933 B2 \* 1/2005 Oikawa ..... B08B 1/00  
15/102

(Continued)

**FOREIGN PATENT DOCUMENTS**

- JP D1566899 \* 1/2017
- JP D1567243 \* 1/2017
- KR 300757785.0000 \* 8/2013

*Primary Examiner* — Karen E Eldridge Powers

(74) *Attorney, Agent, or Firm* — Abelman, Frayne & Schwab

(57) **CLAIM**

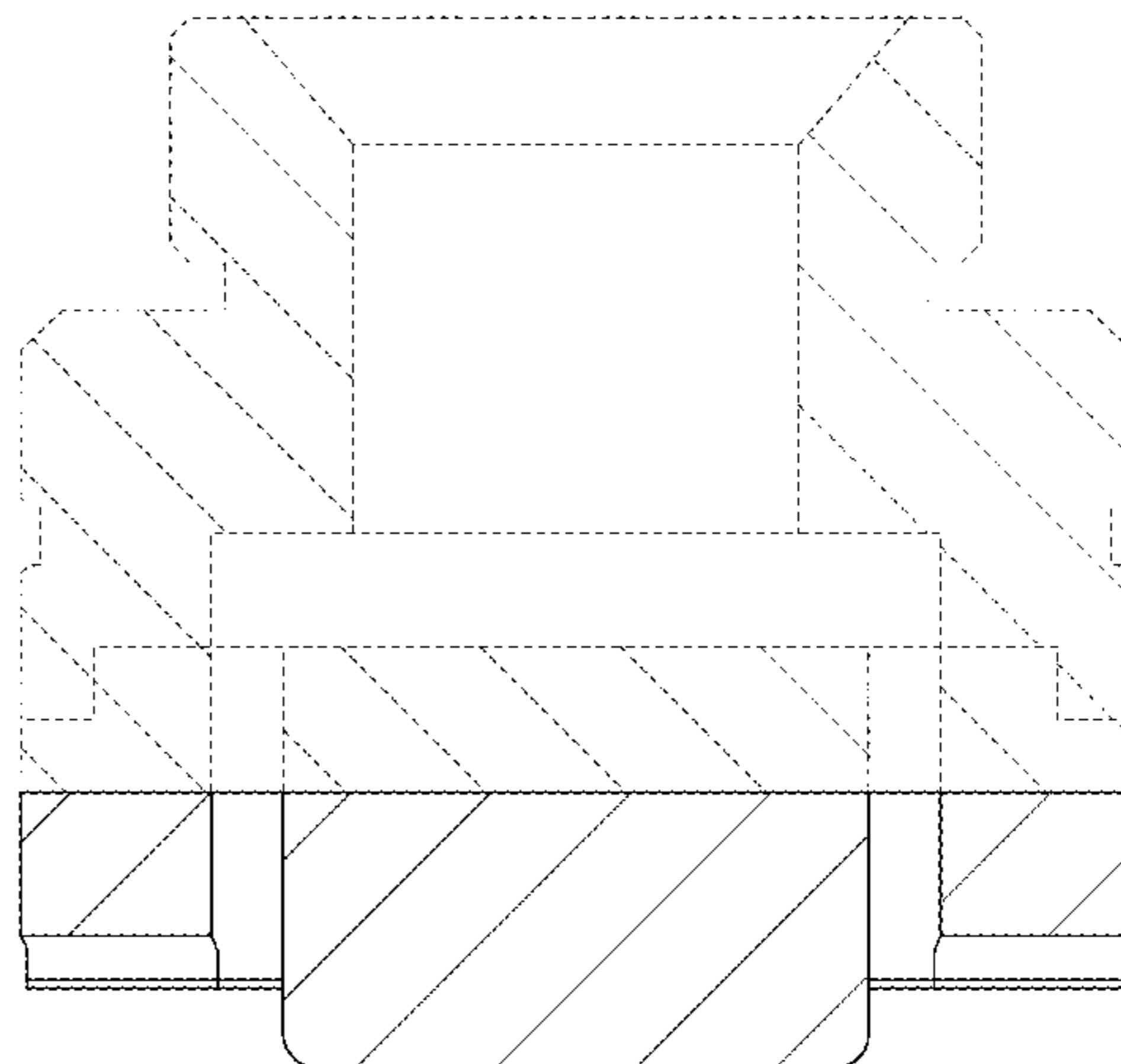
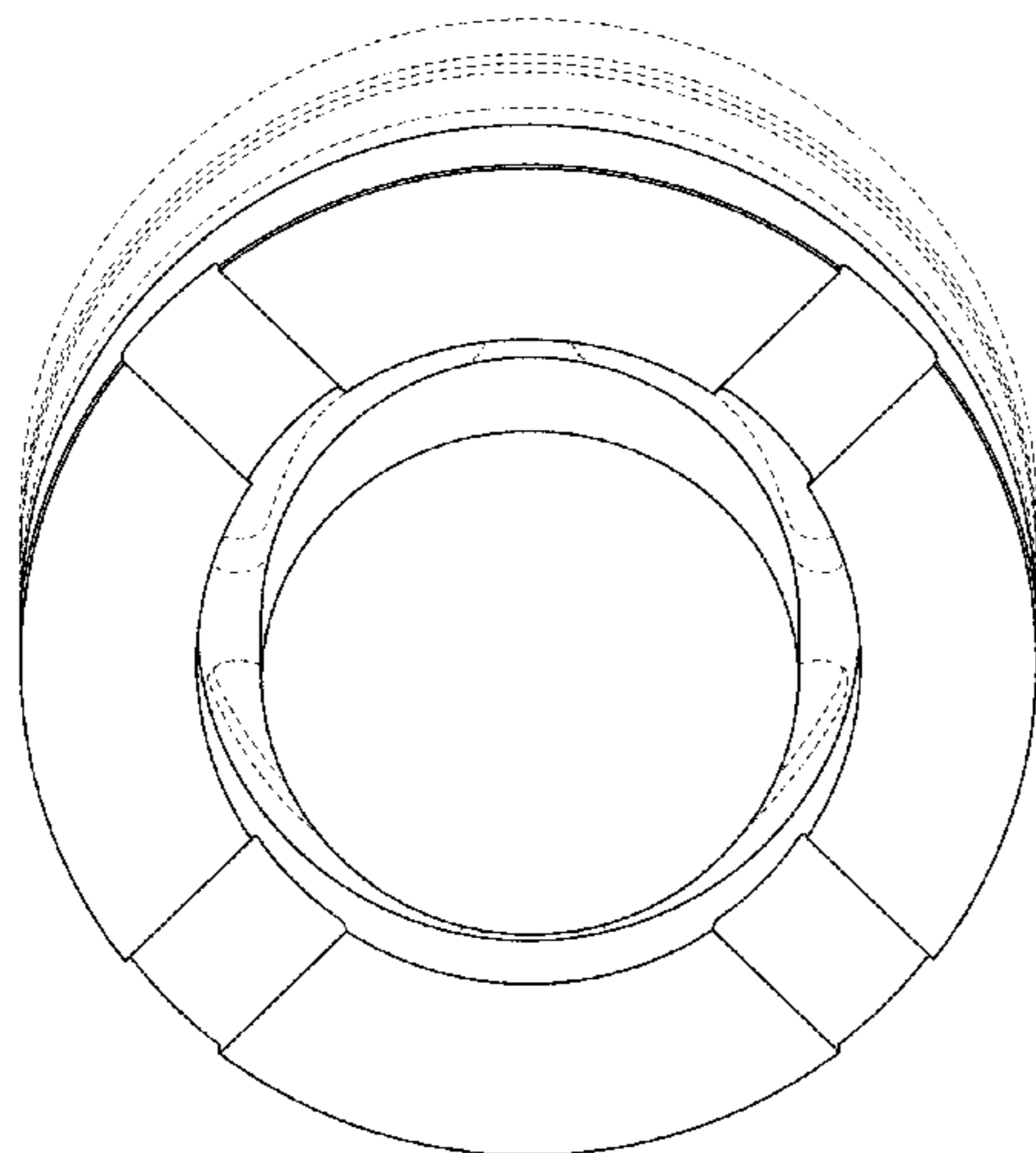
The ornamental design for a cleaning brush, as shown and described.

**DESCRIPTION**

FIG. 1 is a front, left and bottom perspective view of the cleaning brush showing the new design;  
 FIG. 2 is a front elevation view thereof, the rear elevation view being a mirrored image thereof;  
 FIG. 3 is a left side elevation view thereof, the right side elevation view being a mirrored image thereof;  
 FIG. 4 is a top plan view thereof;  
 FIG. 5 is a bottom view thereof; and,  
 FIG. 6 is a cross-sectional view taken along the line indicated in FIG. 4.

The broken line showing of the cleaning brush is for the purpose of illustrating portions of the cleaning brush and forms no part of the claimed design.

**1 Claim, 6 Drawing Sheets**



(56)

References Cited

U.S. PATENT DOCUMENTS

D619,152 S \* 7/2010 Evatt ..... D15/138  
 D623,034 S \* 9/2010 Evatt ..... D8/70  
 7,861,349 B2 \* 1/2011 Hilscher ..... A46B 5/0095  
 15/22.1  
 D633,769 S \* 3/2011 Evatt ..... D8/70  
 8,387,198 B2 \* 3/2013 Rodriguez ..... B44D 3/00  
 15/144.3  
 D698,078 S \* 1/2014 Purizhansky ..... D28/7  
 D719,199 S \* 12/2014 Kurusu ..... D15/138  
 D719,591 S \* 12/2014 Kurusu ..... D15/138  
 D787,143 S \* 5/2017 Ishibashi ..... D32/40  
 D805,115 S \* 12/2017 Williams ..... D15/138  
 D805,268 S \* 12/2017 Ishibashi ..... D32/40  
 2003/0171079 A1 \* 9/2003 How ..... B08B 1/04  
 451/53  
 2007/0157406 A1 \* 7/2007 Kim ..... A46B 5/0075  
 15/172  
 2011/0108054 A1 \* 5/2011 Lee ..... A45D 33/36  
 132/299  
 2016/0254170 A1 \* 9/2016 Hu ..... H01L 21/67046  
 134/1.3  
 2017/0209902 A1 \* 7/2017 Ishibashi ..... B08B 11/00  
 2018/0078973 A1 \* 3/2018 Yano ..... A46B 5/0025

\* cited by examiner

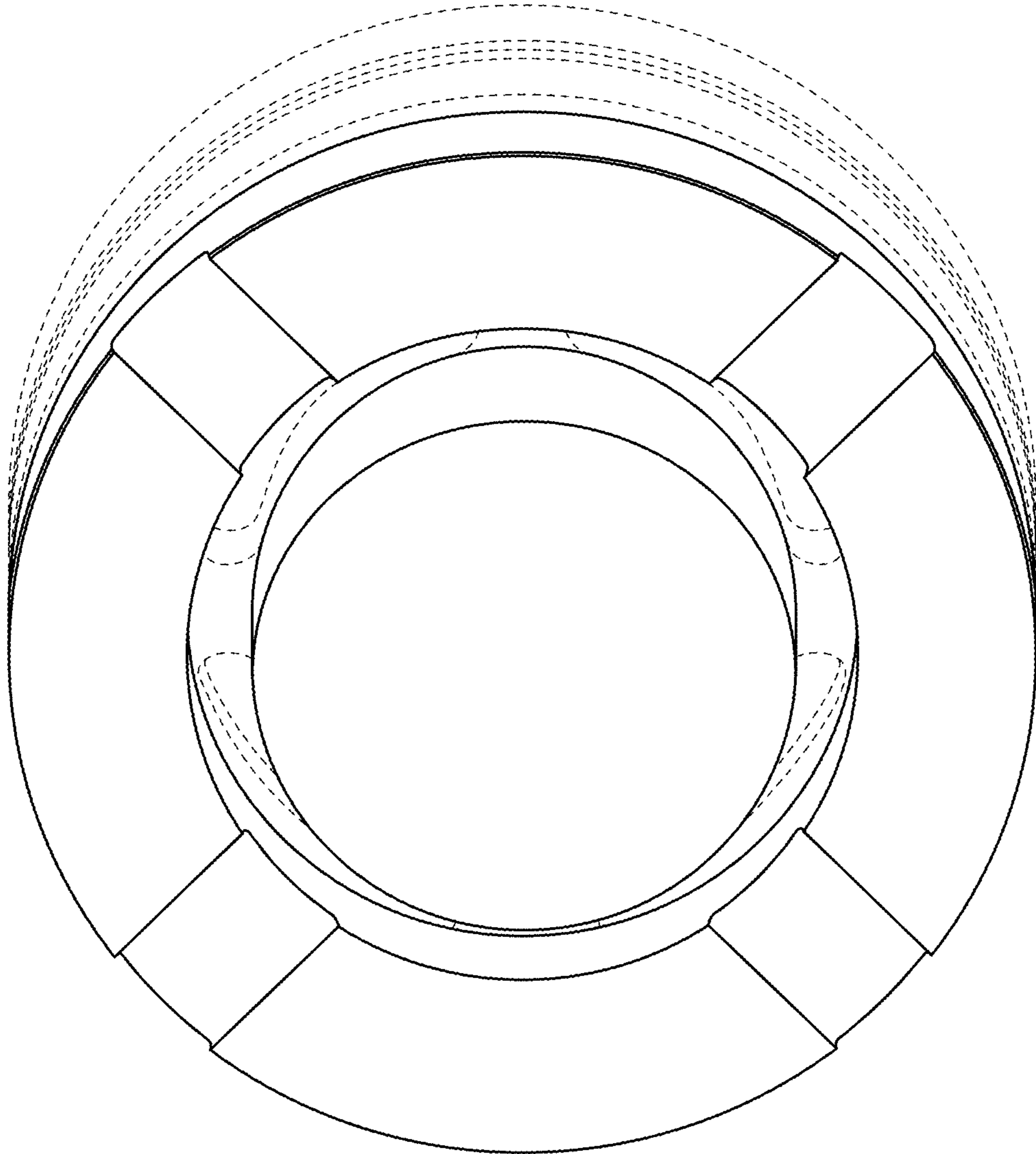


FIG. 1

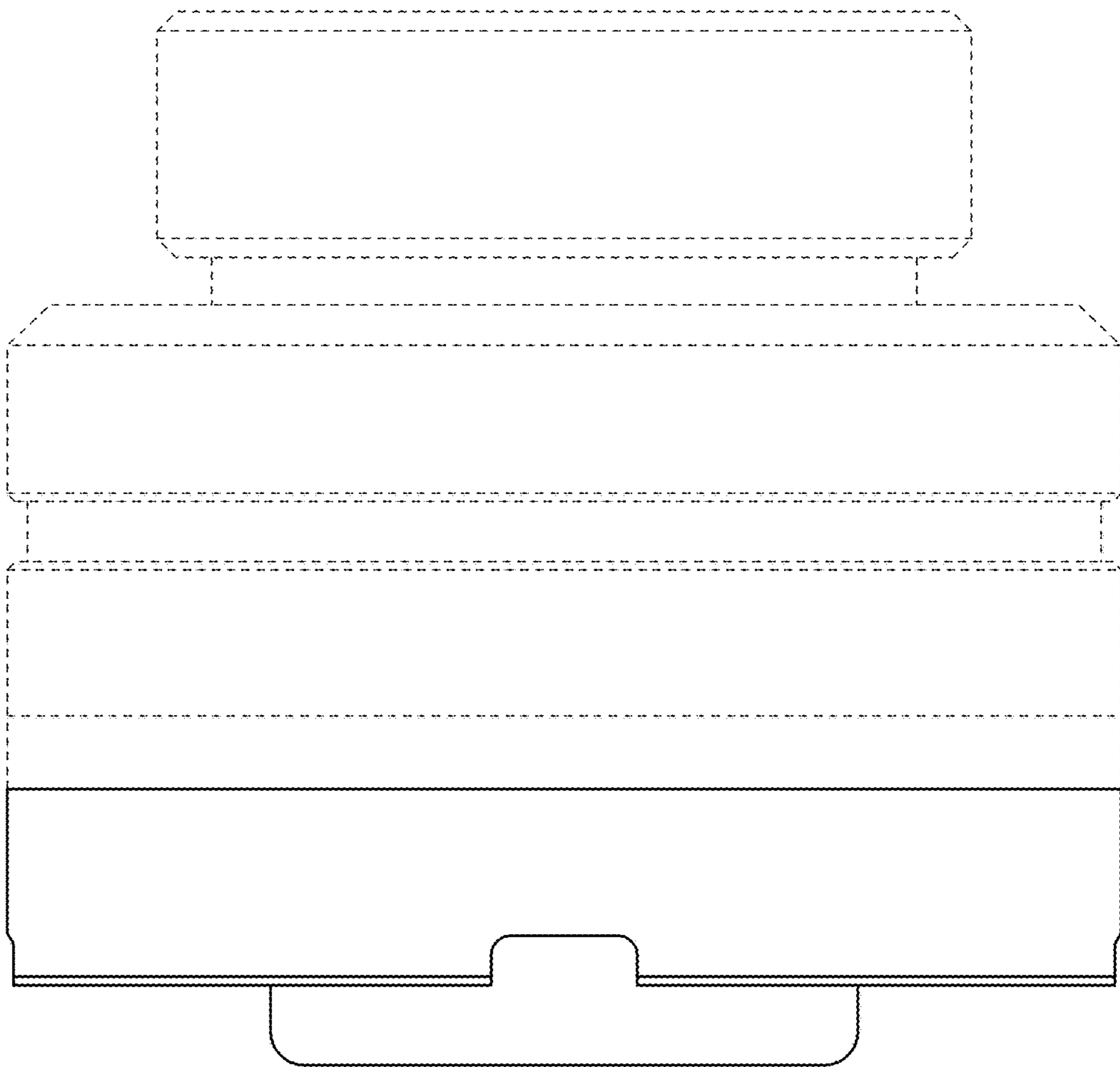


FIG. 2

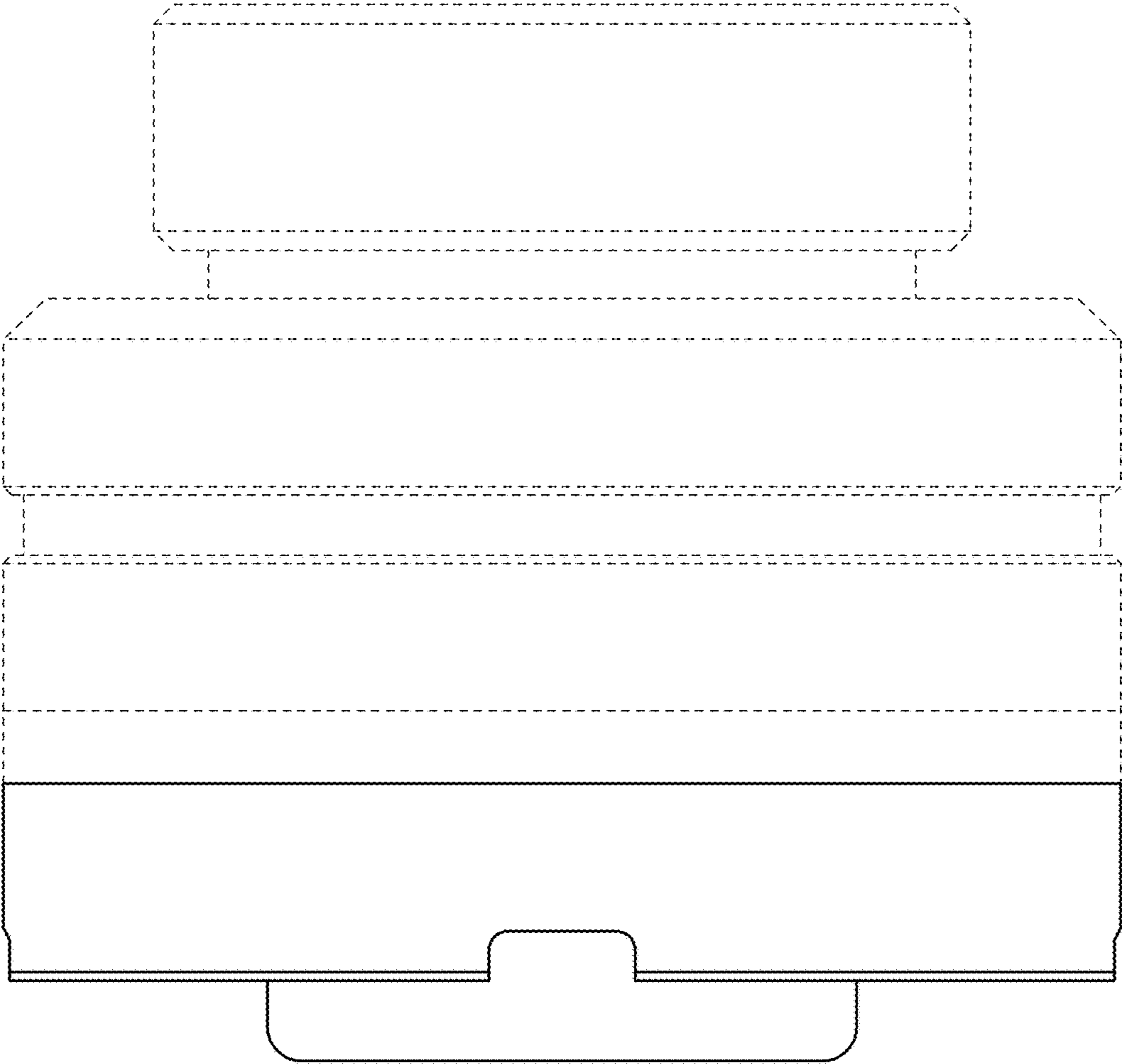


FIG. 3

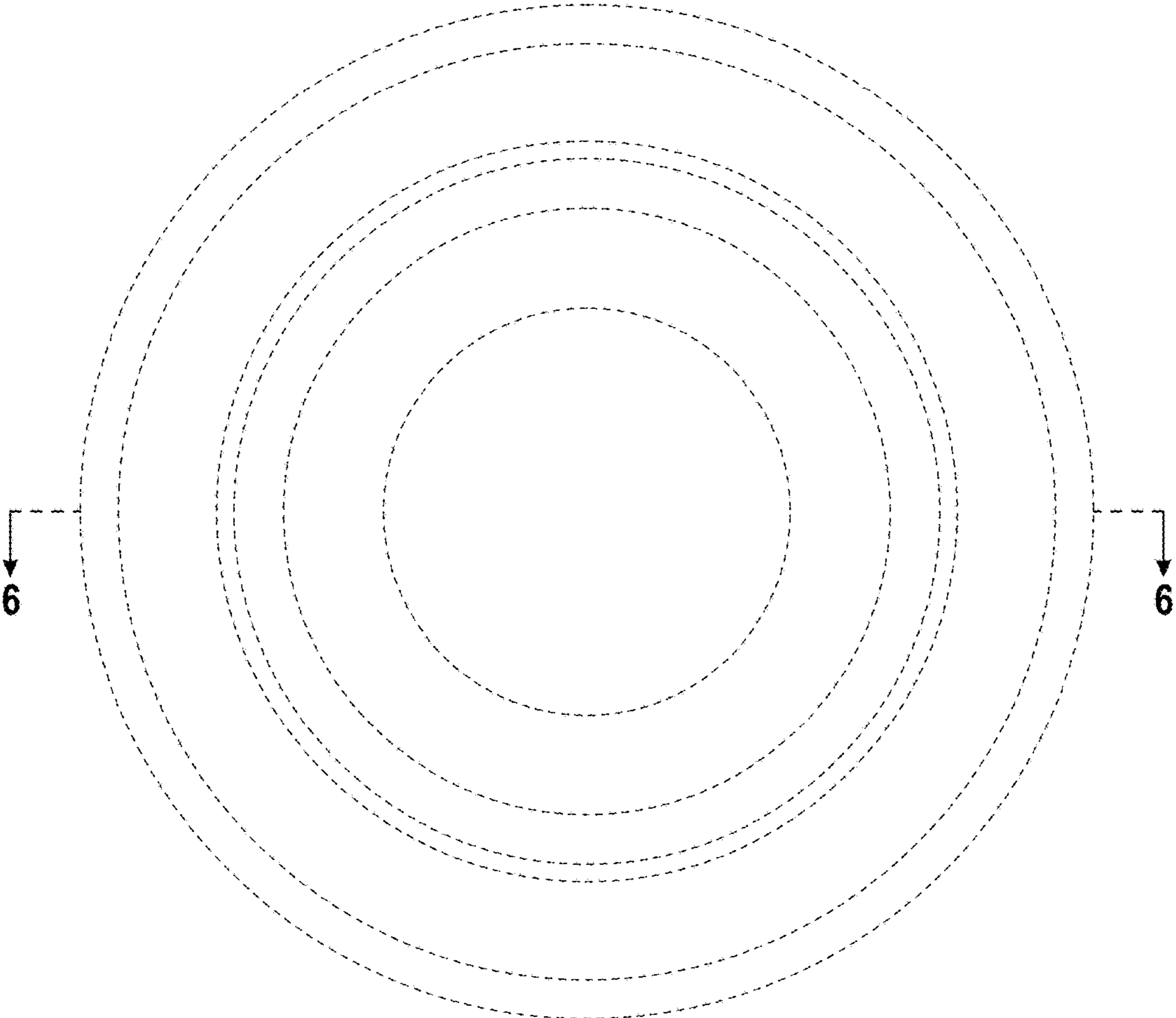


FIG. 4

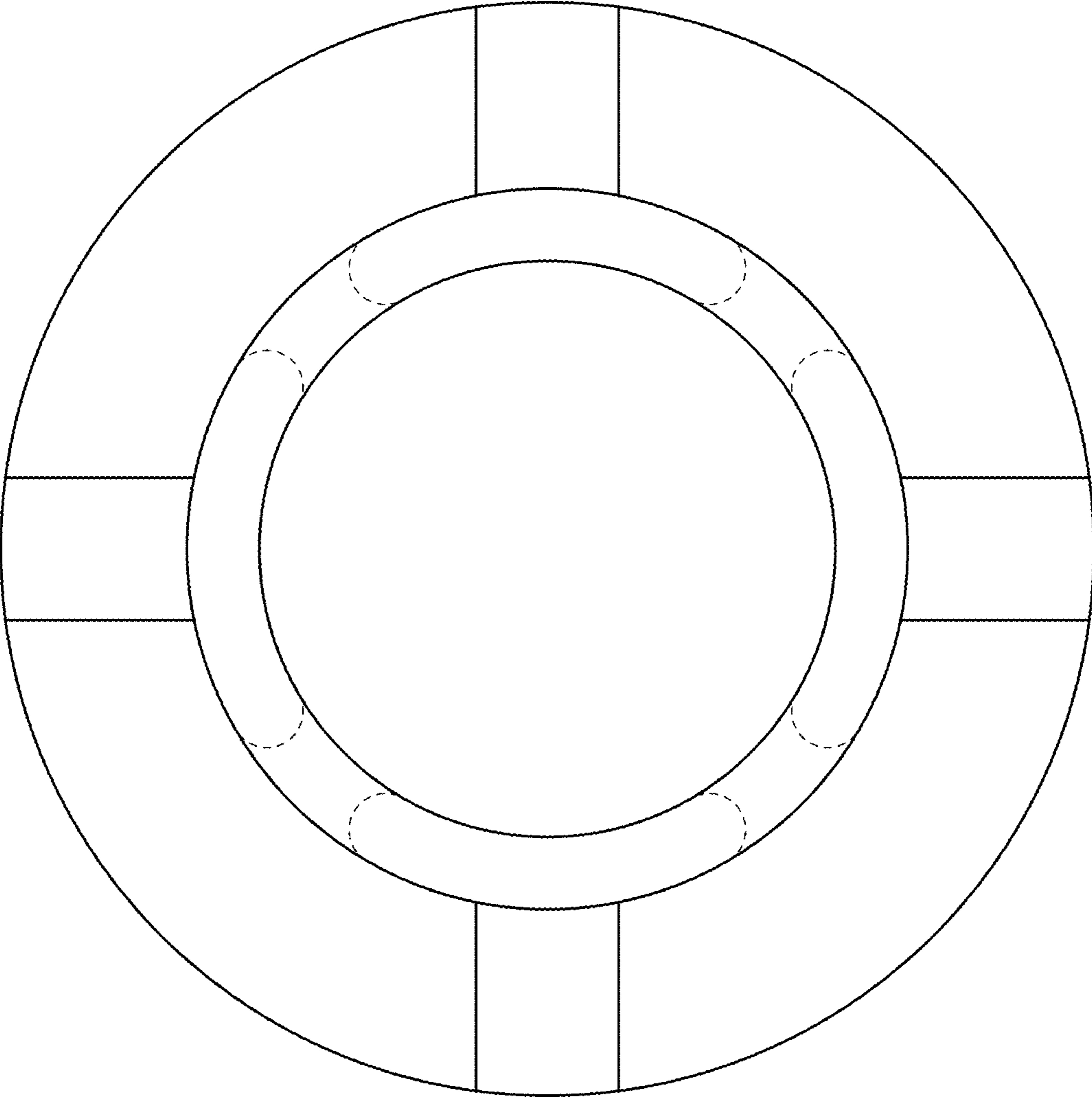


FIG. 5

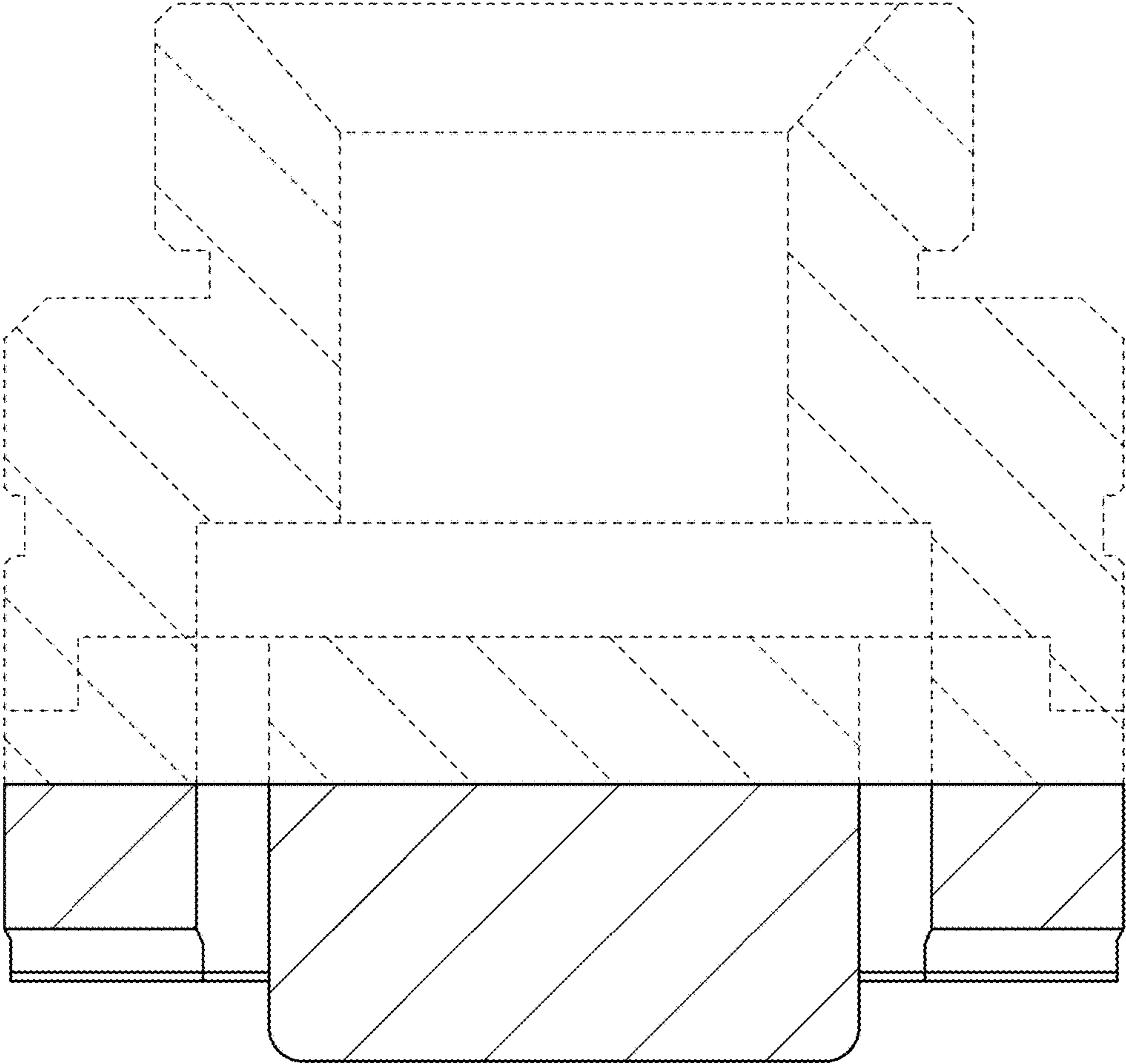


FIG. 6