



US00D843114S

(12) **United States Design Patent** (10) **Patent No.:** **US D843,114 S**  
**Sanz** (45) **Date of Patent:** **\*\* Mar. 19, 2019**

(54) **HARD CASE LUGGAGE**  
(71) Applicant: **TUMI, INC.**, Edison, NJ (US)  
(72) Inventor: **Victor G. Sanz**, Whitehouse Station, NJ (US)  
(73) Assignee: **TUMI, INC.**, Edison, NJ (US)  
(\*\*) Term: **15 Years**  
(21) Appl. No.: **29/605,200**  
(22) Filed: **May 24, 2017**  
(51) **LOC (11) Cl.** ..... **03-01**  
(52) **U.S. Cl.**  
USPC ..... **D3/318**  
(58) **Field of Classification Search**  
USPC ..... D3/273, 285, 289, 279  
CPC .. A45C 13/36; A45C 5/14; A45C 5/00; B65D 65/00; B65D 65/02; B65D 65/403  
See application file for complete search history.

D711,104 S \* 8/2014 Lai ..... D3/279  
D783,282 S \* 4/2017 Sijmons ..... D3/279  
D796,838 S \* 9/2017 Sijmons ..... D3/279  
D805,772 S \* 12/2017 Oshima ..... D3/279  
2009/0095588 A1 4/2009 Thomas

\* cited by examiner

*Primary Examiner* — Holly H Baynham  
(74) *Attorney, Agent, or Firm* — Lando & Anastasi, LLP

(57) **CLAIM**

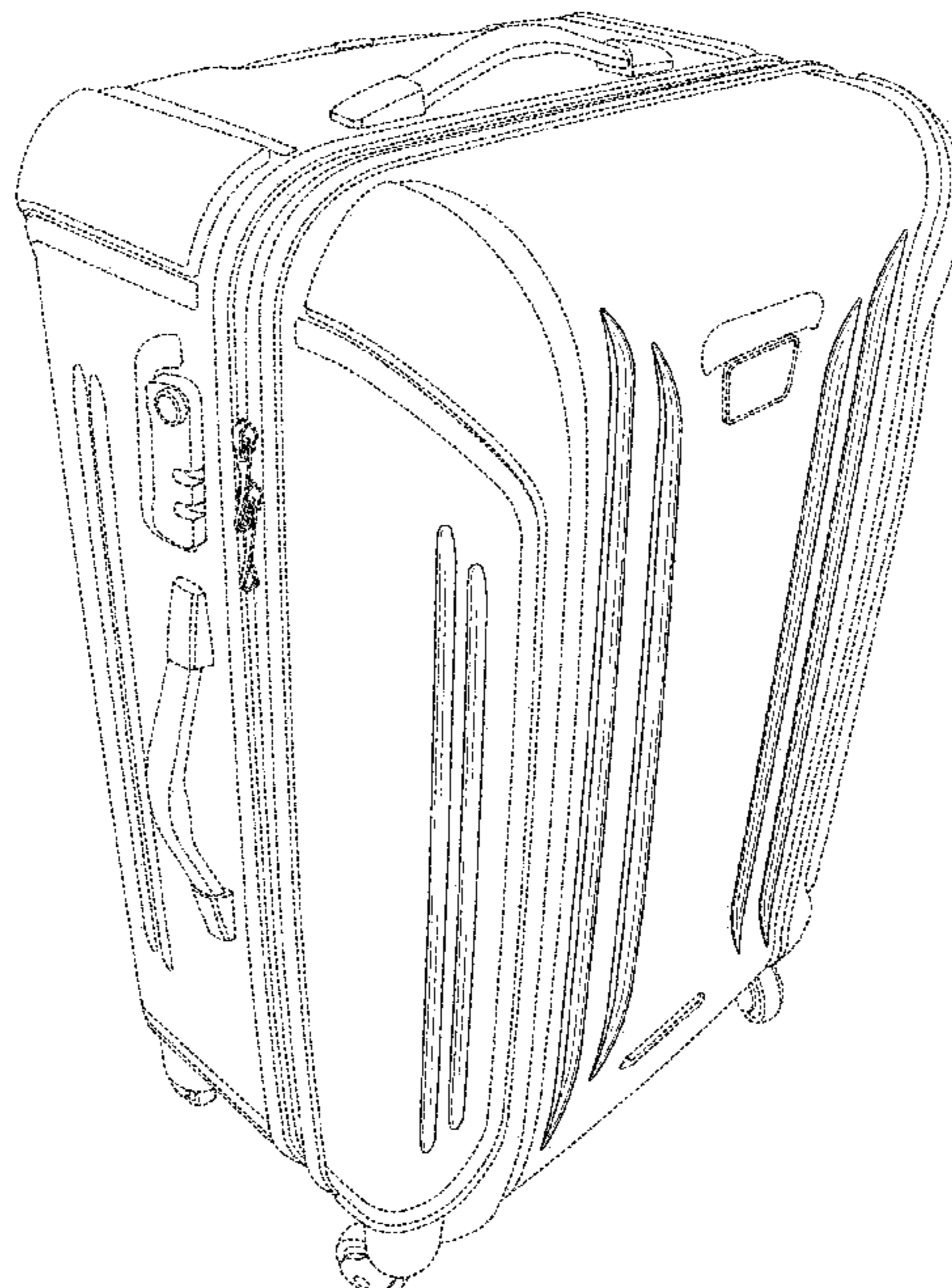
The ornamental design for a hard case luggage, as shown and described.

**DESCRIPTION**

FIG. 1 is a front perspective view of a hard case luggage; FIG. 2 is a front view of a hard case luggage; FIG. 3 is a rear view of a hard case luggage; FIG. 4 is a right side view of a hard case luggage; FIG. 5 is a left side view of a hard case luggage; FIG. 6 is a top view of a hard case luggage; FIG. 7 is a bottom view of a hard case luggage; FIG. 8 is a front perspective view of a second embodiment of a hard case luggage; FIG. 9 is a front view of a hard case luggage; FIG. 10 is a rear view of a hard case luggage; FIG. 11 is a right side view of a hard case luggage; FIG. 12 is a left side view of a hard case luggage; FIG. 13 is a top view of a hard case luggage; and, FIG. 14 is a bottom view of a hard case luggage. The broken lines shown in the figures are for illustrative purposes only and form no part of the claimed design.

**1 Claim, 14 Drawing Sheets**

(56) **References Cited**  
U.S. PATENT DOCUMENTS  
5,653,319 A 8/1997 Wang  
D463,909 S \* 10/2002 Carter ..... D3/276  
D540,540 S 4/2007 Szyf et al.  
D563,101 S \* 3/2008 Kuchler ..... D3/279  
D581,667 S 12/2008 Yeh  
D587,902 S 3/2009 Yoneno  
D627,162 S \* 11/2010 Weng ..... D3/279  
D629,200 S 12/2010 Turella-Yuan et al.  
D630,850 S 1/2011 Gifford  
D642,379 S 8/2011 Buller  
D652,216 S \* 1/2012 Fair ..... D3/318  
D659,395 S \* 5/2012 Sijmons ..... D3/279  
D710,610 S \* 8/2014 Sijmons ..... D3/279



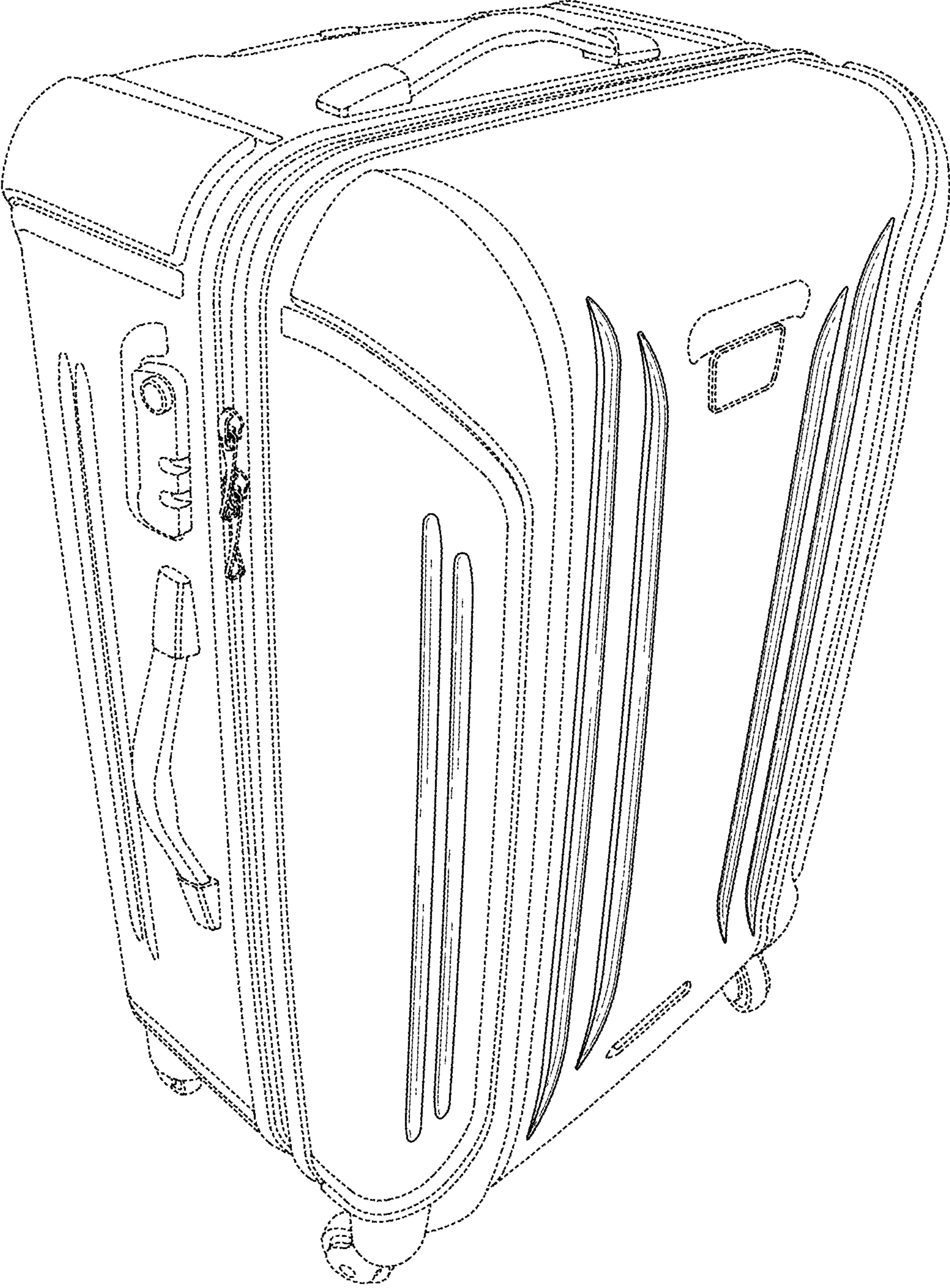


FIG. 1

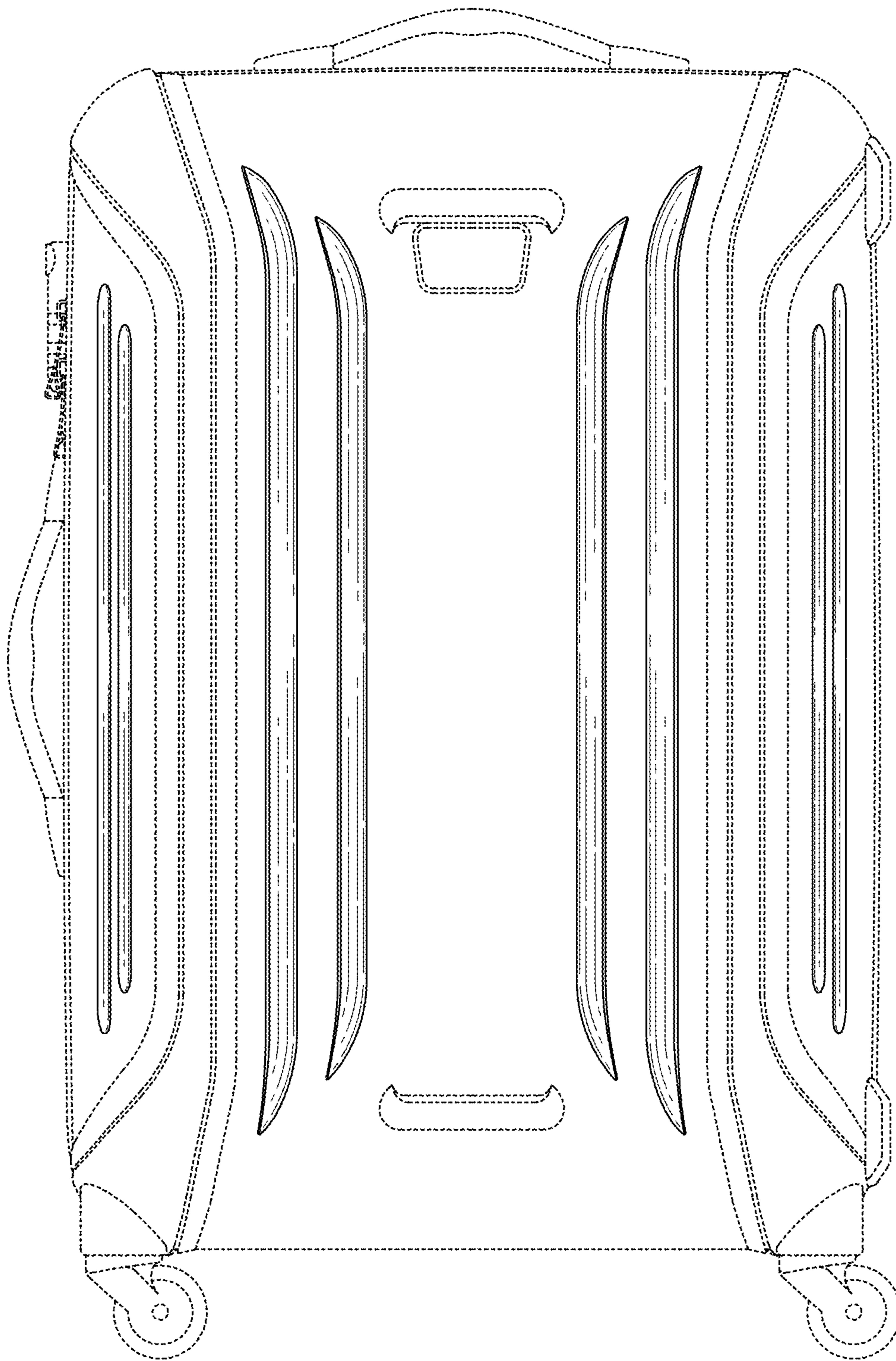


FIG. 2

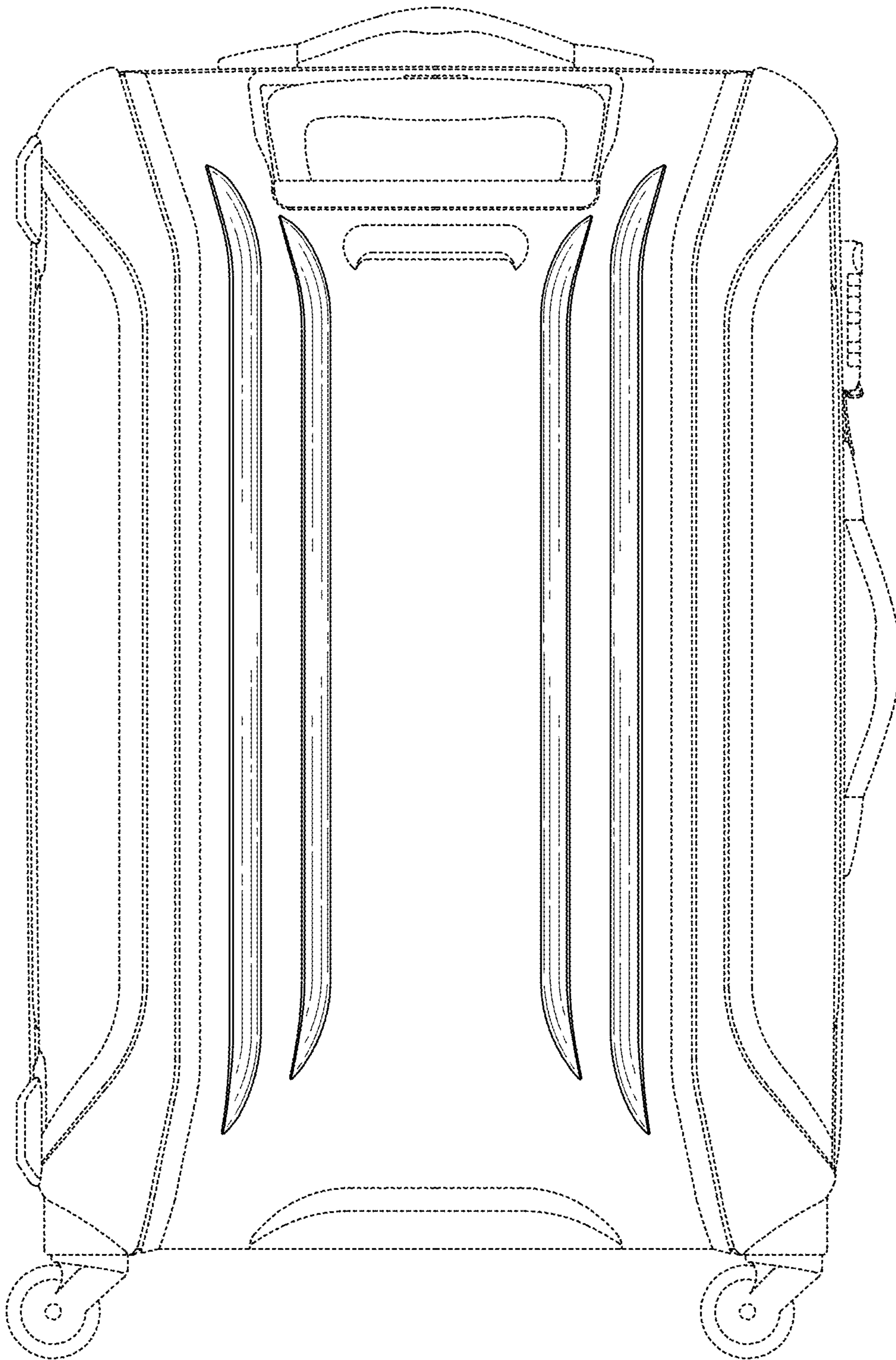


FIG. 3

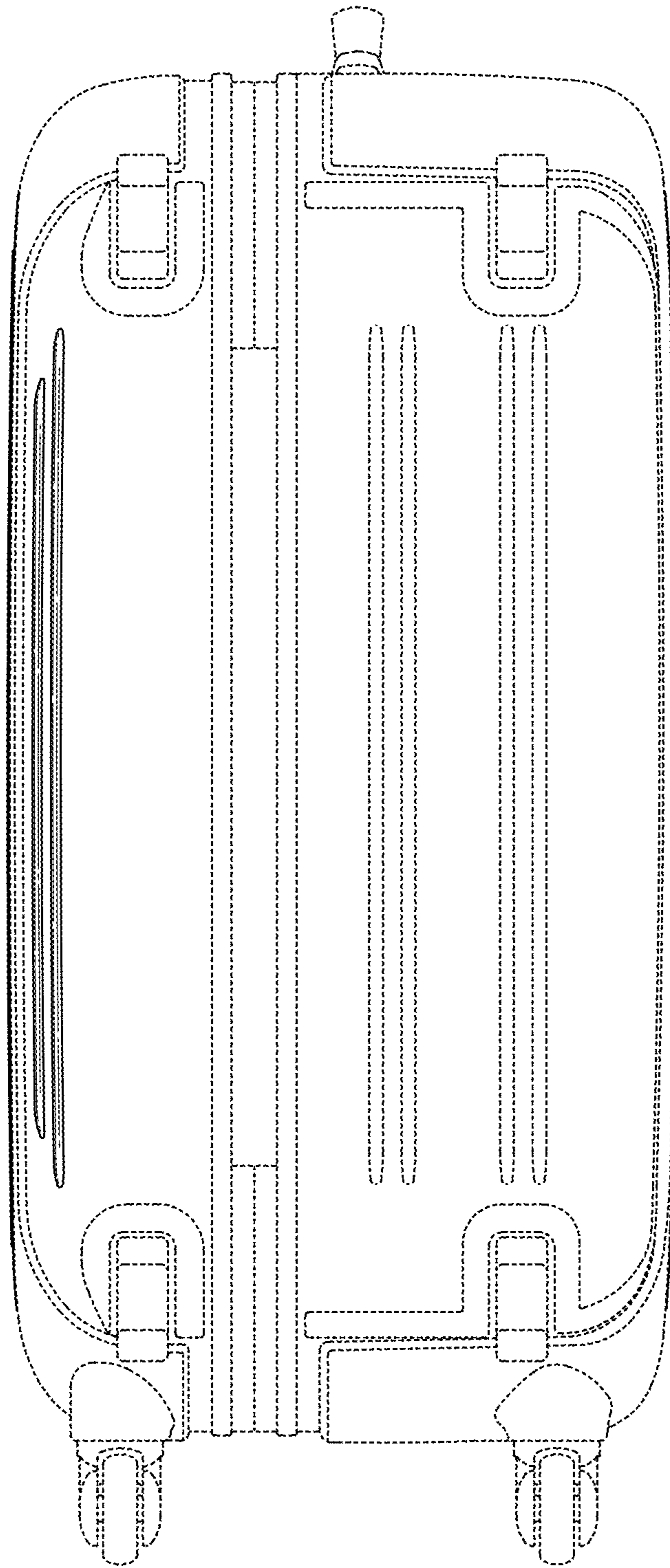


FIG. 4

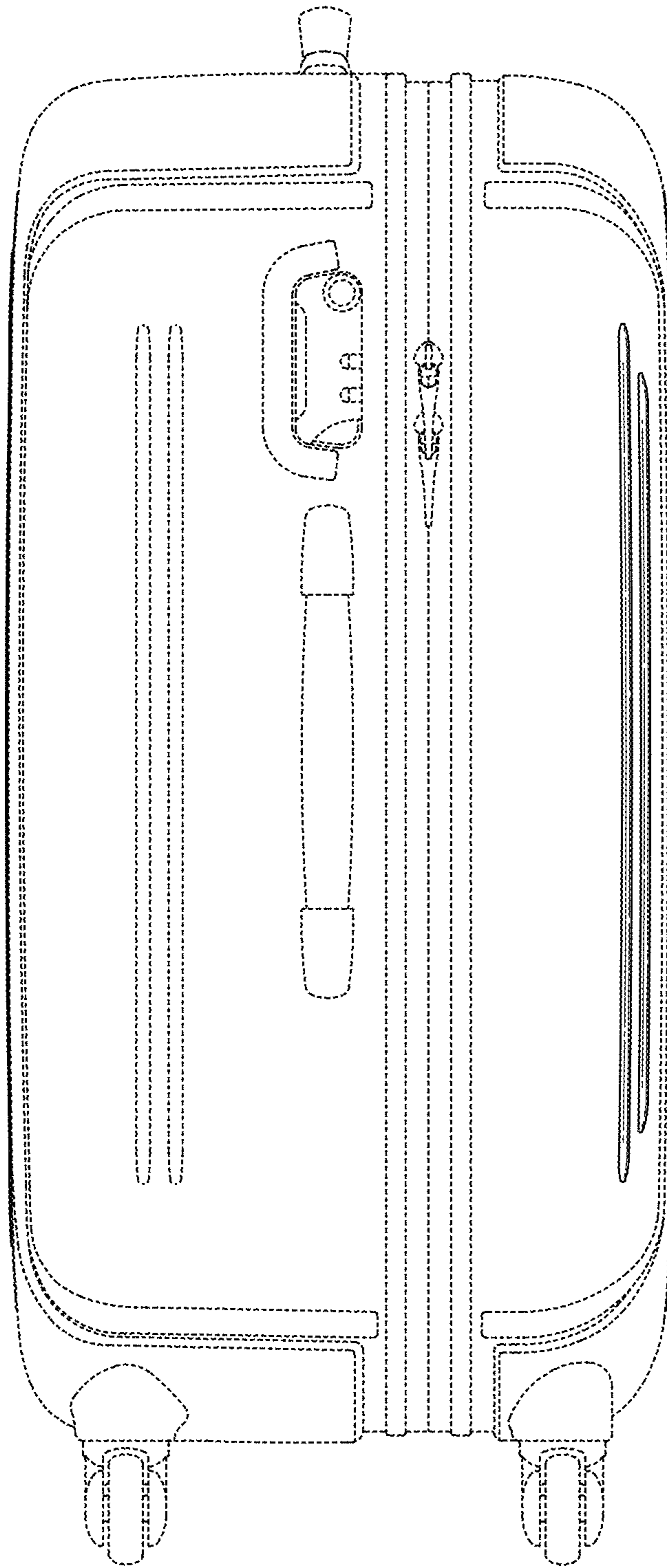


FIG. 5

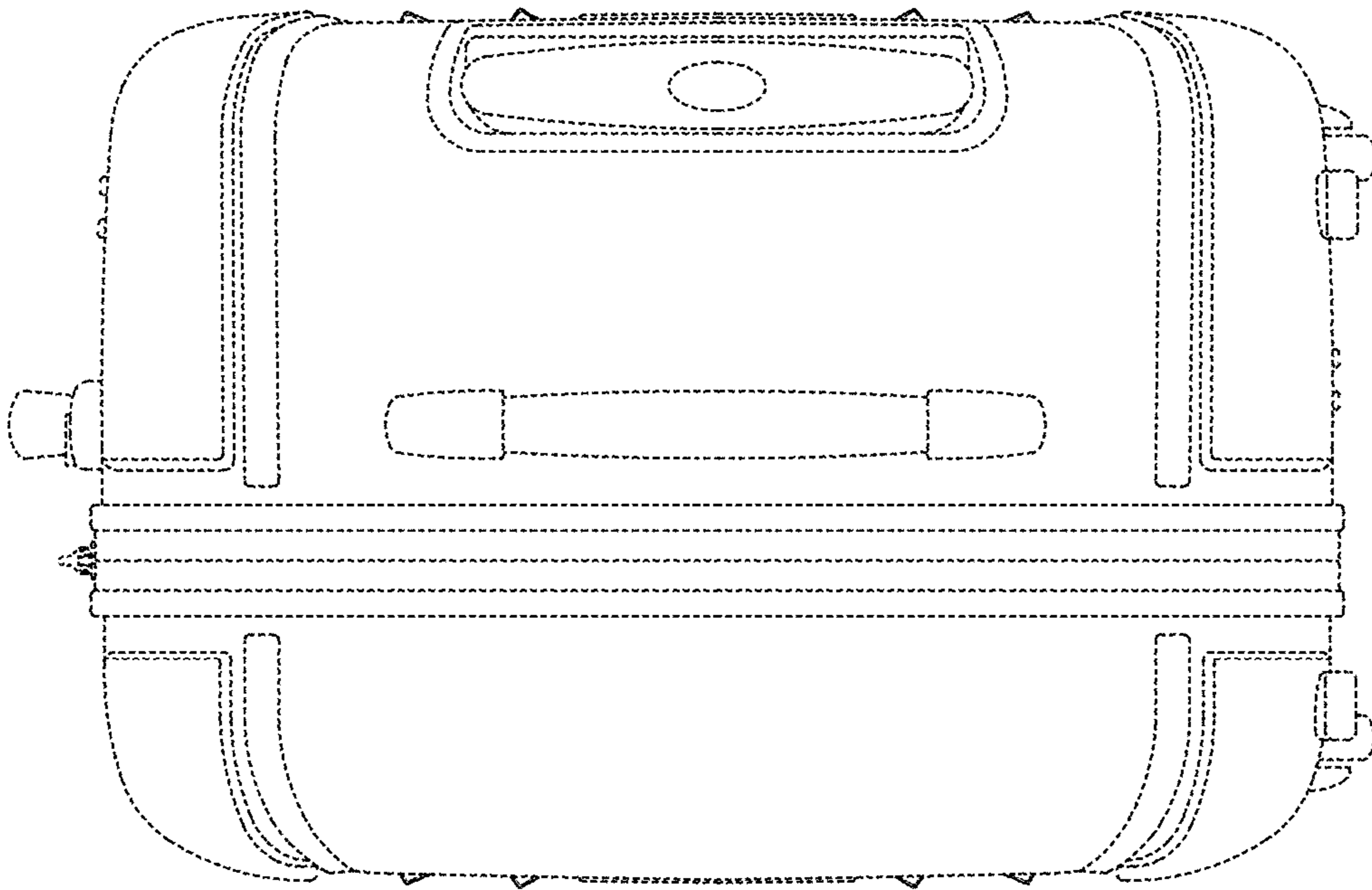


FIG. 6

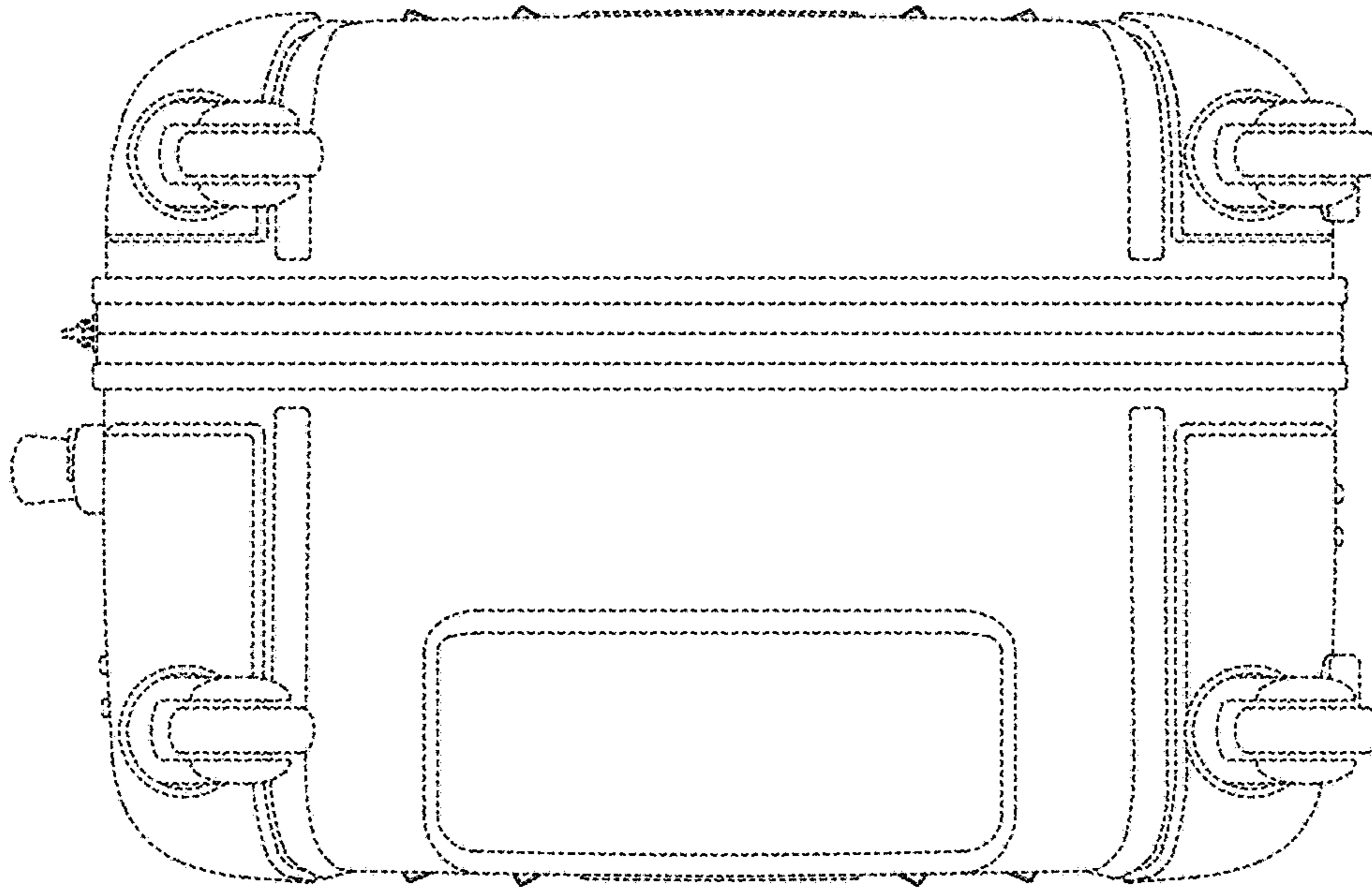


FIG. 7



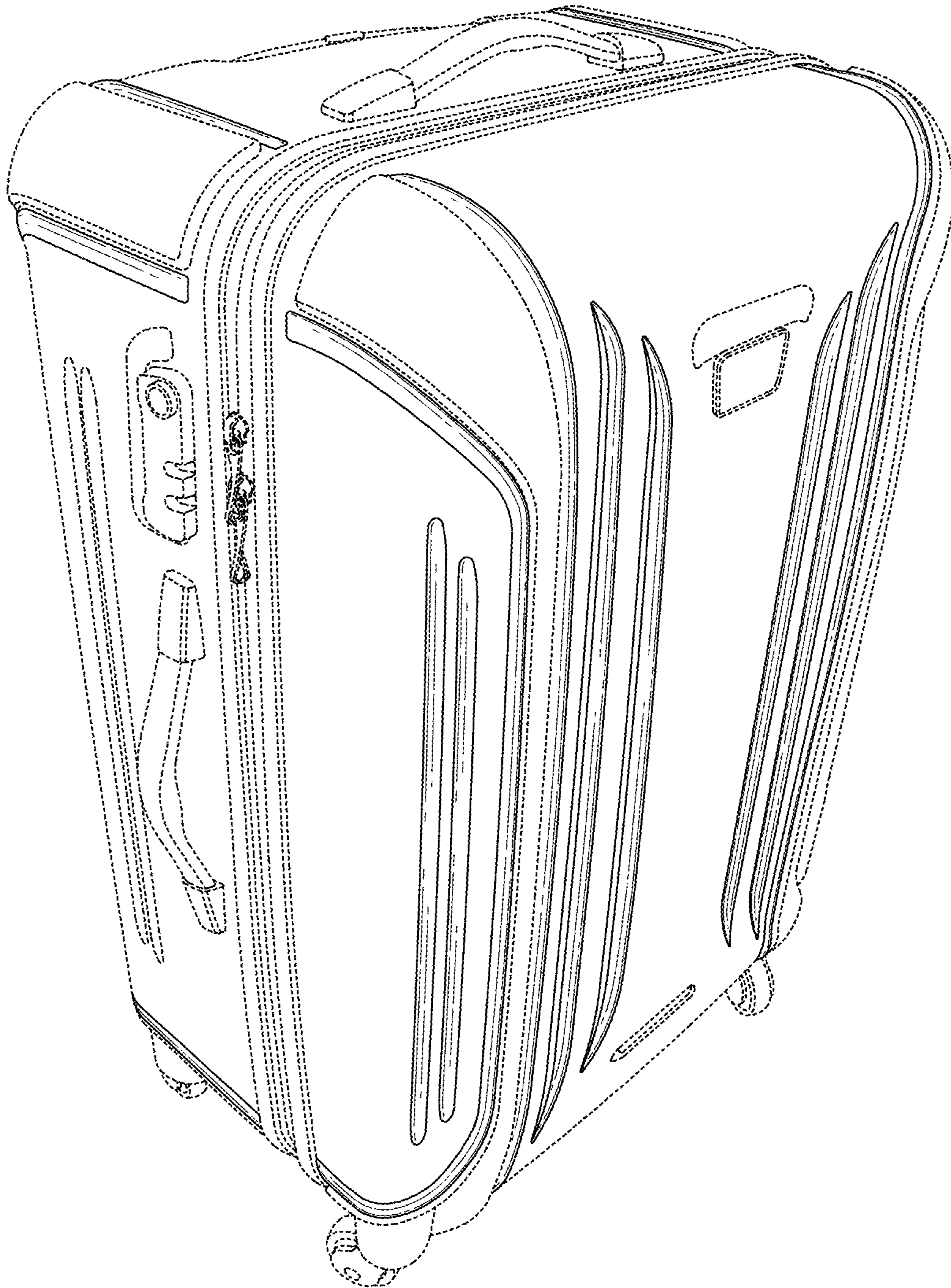


FIG. 8

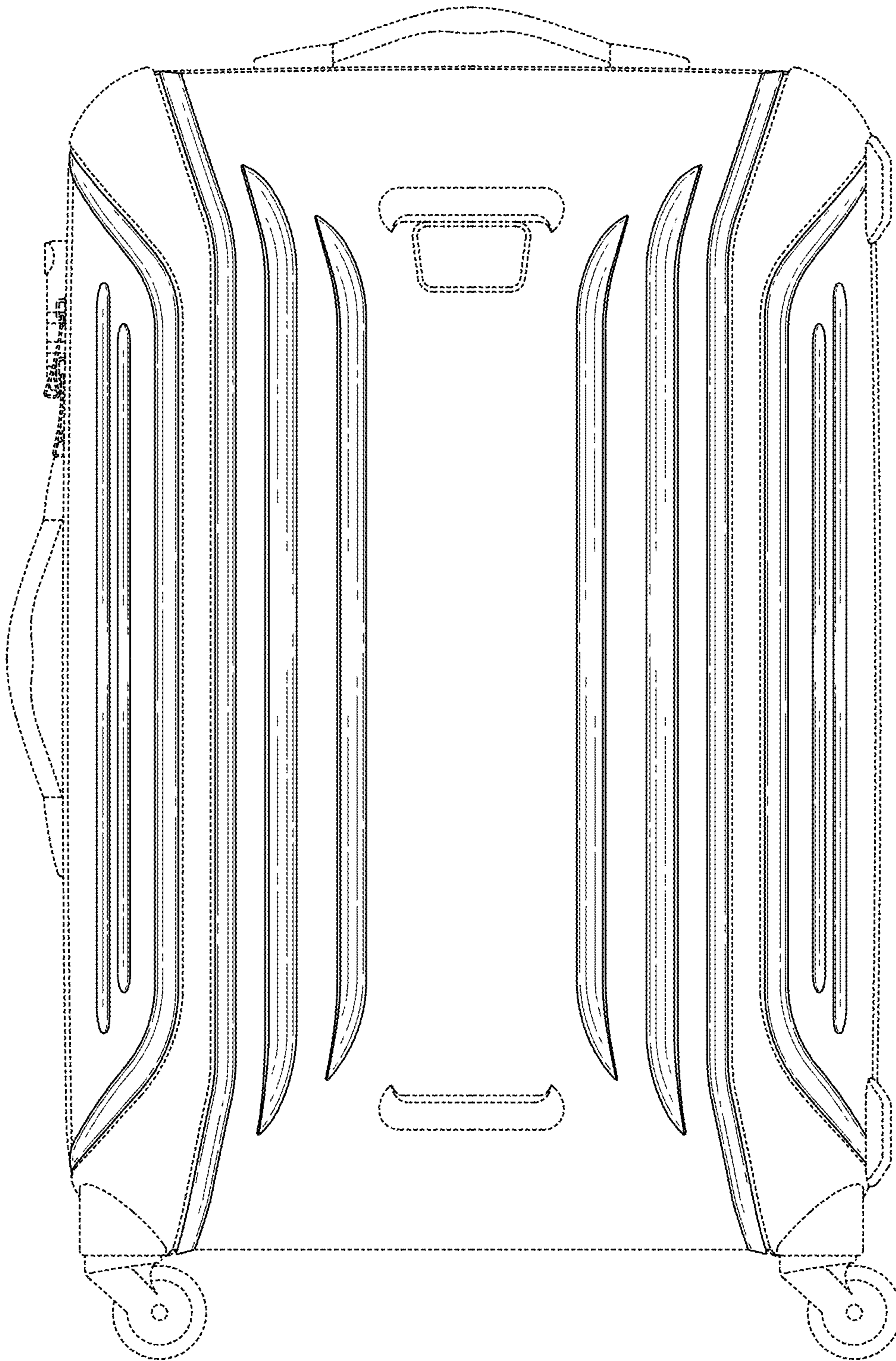


FIG. 9

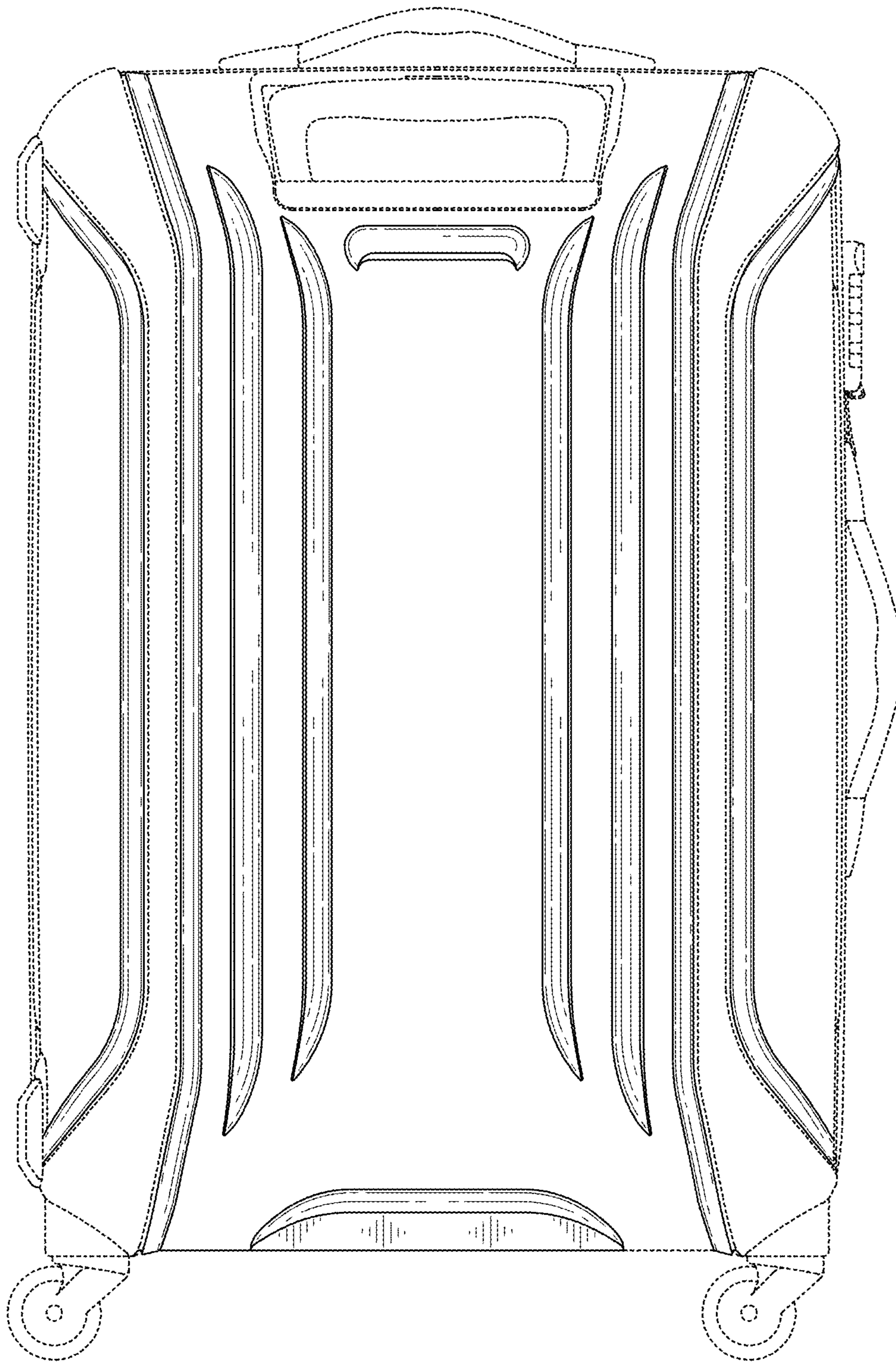


FIG. 10

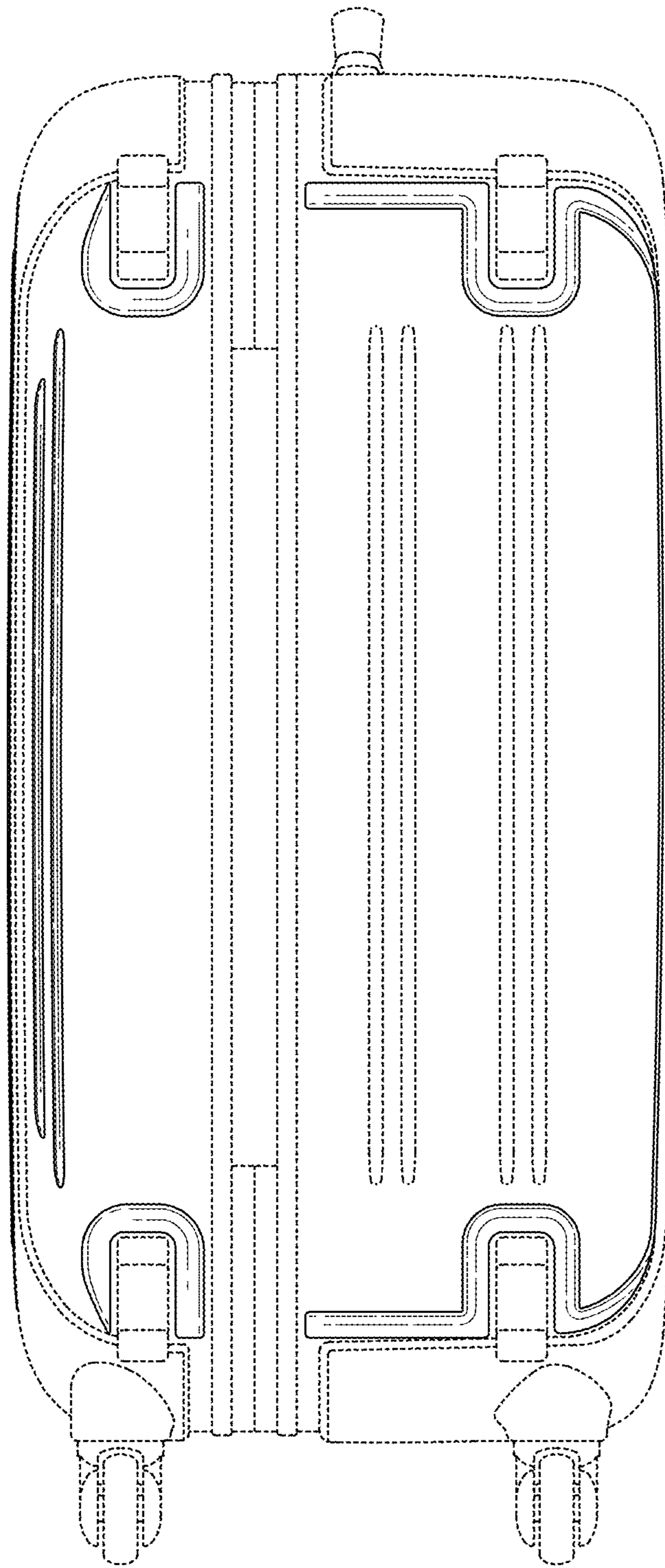


FIG. 11

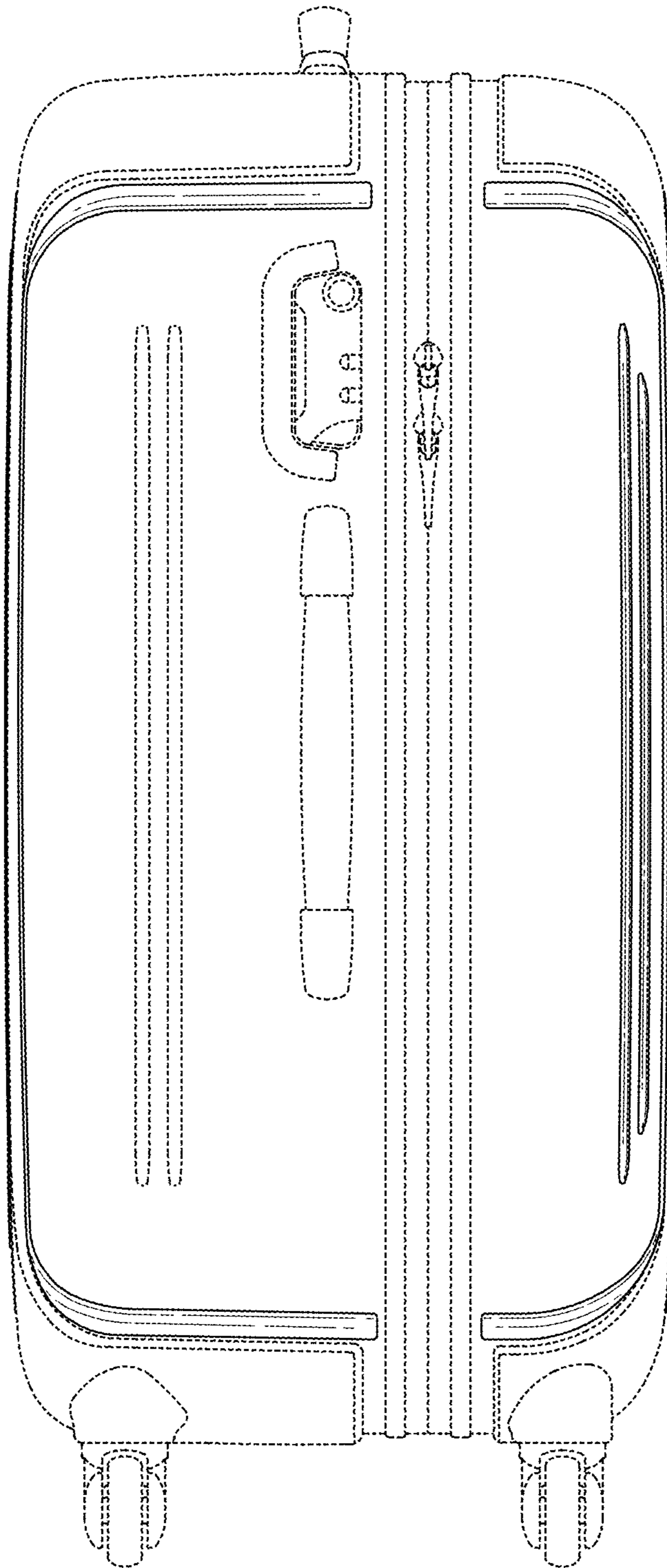


FIG. 12

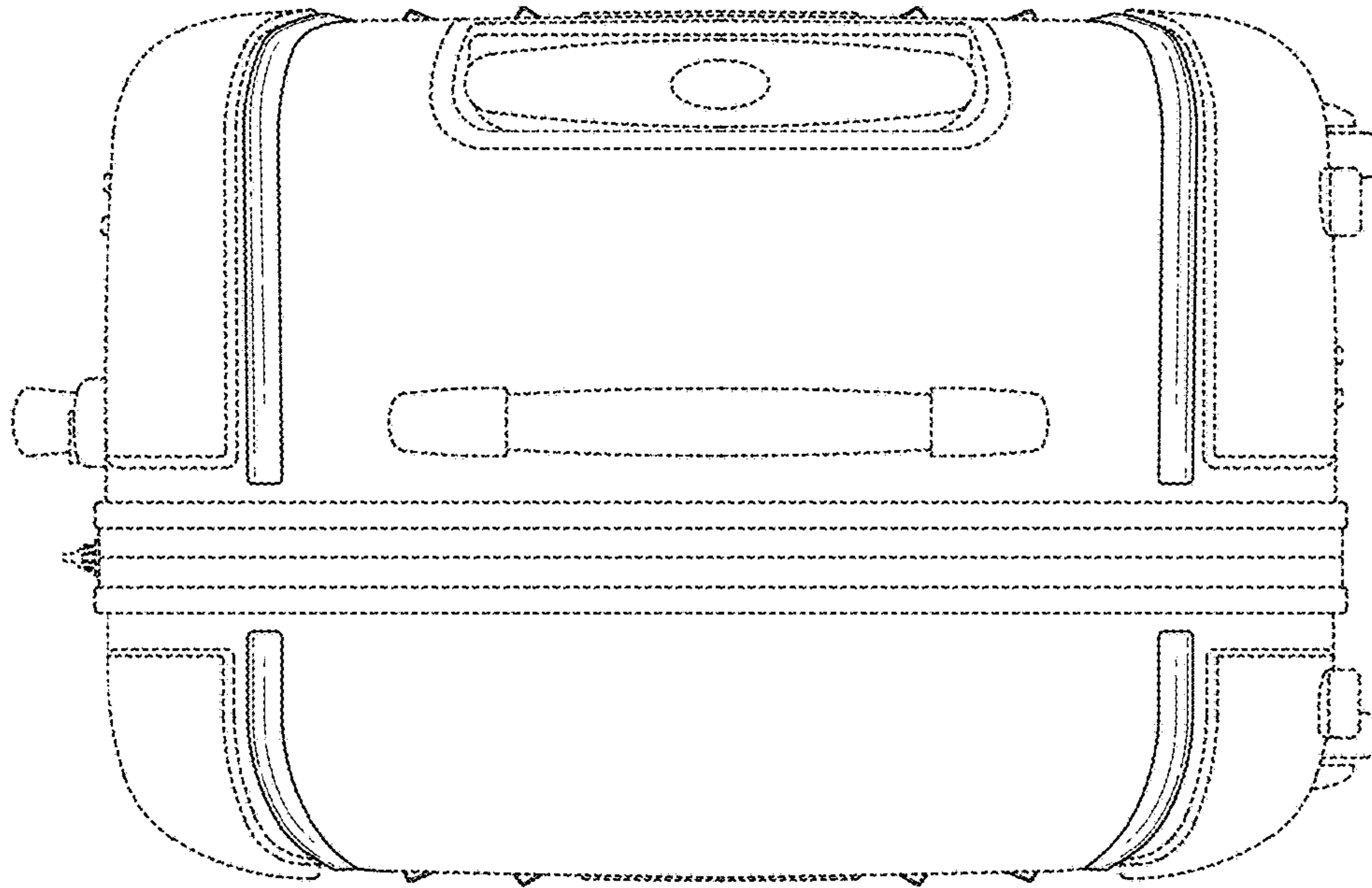


FIG. 13

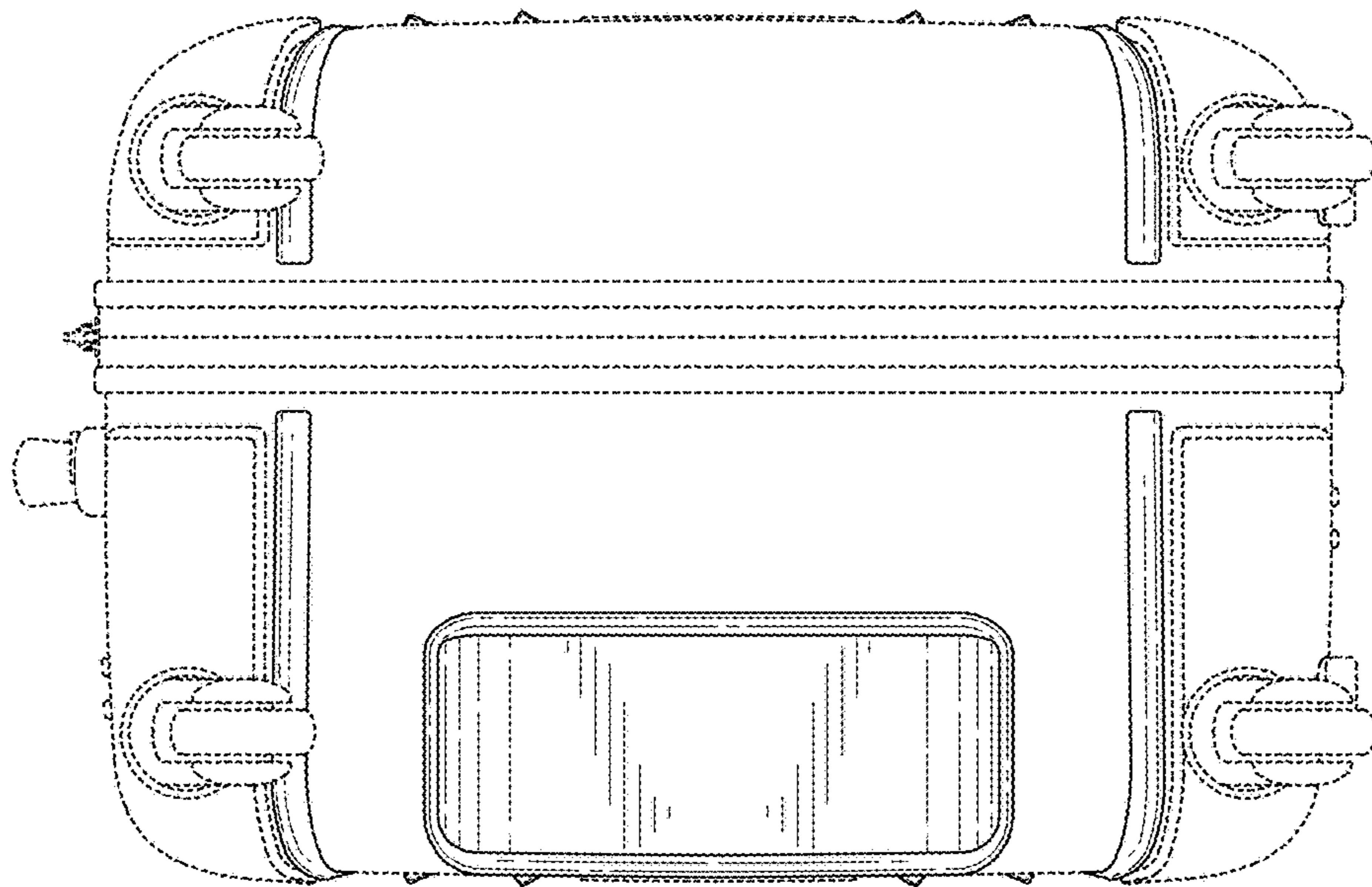


FIG. 14