



US00D843113S

(12) **United States Design Patent** (10) **Patent No.:** **US D843,113 S**  
**Carter et al.** (45) **Date of Patent:** **\*\* Mar. 19, 2019**

(54) **DIAPER CADDY**

(71) Applicant: **Skip Hop, Inc.**, New York, NY (US)

(72) Inventors: **Chelsea Carter**, Jersey City, NJ (US);  
**Janet Villano**, Jersey City, NJ (US);  
**Ellen Diamant**, New York, NY (US)

(73) Assignee: **SKIP HOP, INC.**, New York, NY (US)

(\*\*) Term: **15 Years**

(21) Appl. No.: **29/616,296**

(22) Filed: **Sep. 5, 2017**

(51) **LOC (11) Cl.** ..... **03-02**

(52) **U.S. Cl.**  
USPC ..... **D3/315**

(58) **Field of Classification Search**  
USPC ..... D3/205, 206, 315–317  
CPC ..... A47K 3/127; A47K 3/024  
See application file for complete search history.

(56) **References Cited**

**U.S. PATENT DOCUMENTS**

5,475,574	A	12/1995	Chien	
D630,478	S *	1/2011	Bell	D7/698
D651,801	S *	1/2012	Brown	D3/304
D674,191	S *	1/2013	Sakaguchi	D3/315
D674,216	S *	1/2013	Erickson	D6/683.1
D681,119	S *	4/2013	Stravitz	D19/85
2003/0067766	A1	4/2003	Burnidge	
2007/0103892	A1	5/2007	McDaniel	
2013/0021787	A1	1/2013	Noble	

**OTHER PUBLICATIONS**

European Search Report dated Dec. 19, 2018 in corresponding European Application No. 18 18 0762.

Anonymous: “Light Up Diaper Caddy—SkipHop.com”, Aug. 1, 2017 (Aug. 1, 2017), XP055536154, Retrieved from the Internet: URL: [https://www.skiphop.com/skiphop-nursery-and-gear/V\\_304300.html](https://www.skiphop.com/skiphop-nursery-and-gear/V_304300.html) [retrieved on Dec. 18, 2018].

Anonymous: “Light Up Diaper Caddy—SkipHop.com”, Aug. 1, 2017 (Aug. 1, 2017), XP055536146, Retrieved from the Internet: URL: [https://www.skiphop.com/skiphop-nursery-and-gear/V\\_304300.html](https://www.skiphop.com/skiphop-nursery-and-gear/V_304300.html) [retrieved on Dec. 18, 2018].

\* cited by examiner

*Primary Examiner* — Charles D Hanson

(74) *Attorney, Agent, or Firm* — Stephen J. Weyer, Esq.; James Hayne, Esq.; Stites & Harbison, PLLC

(57) **CLAIM**

The ornamental design for a diaper caddy, as shown and described.

**DESCRIPTION**

FIG. 1 is a top, front, and right side perspective view of the diaper caddy of our design.

FIG. 2 is a top plan view of the diaper caddy of FIG. 1.

FIG. 3 is a right side view of the diaper caddy of FIG. 1.

FIG. 4 is a left side view of the diaper caddy of FIG. 1.

FIG. 5 is a front elevation view of the diaper caddy of FIG. 1.

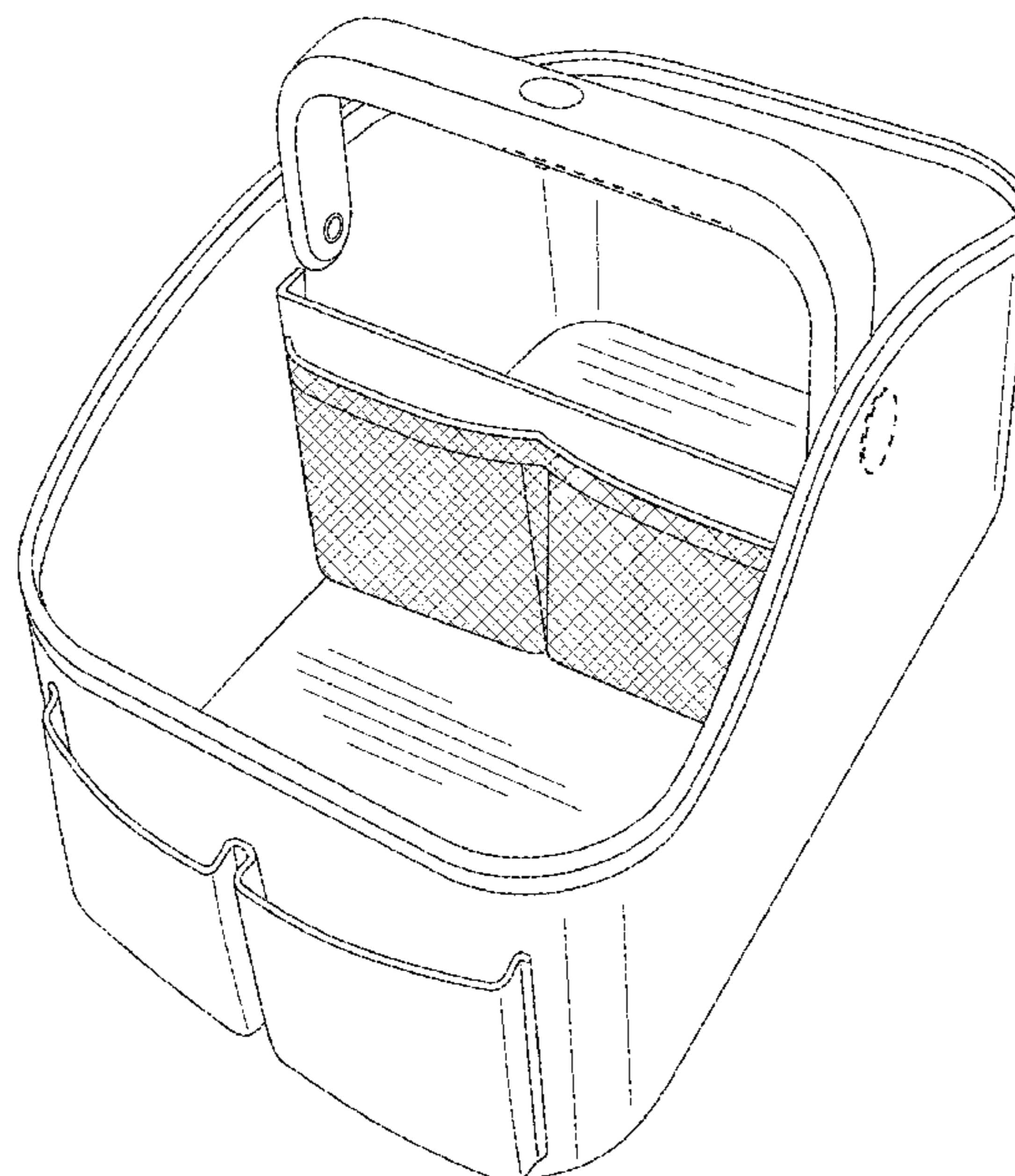
FIG. 6 is a rear elevation view of the diaper caddy of FIG. 1.

FIG. 7 is a top, front, and left side perspective view of the diaper caddy of FIG. 1; and,

FIG. 8 is a top, front, and left side perspective view of another configuration of the diaper caddy of FIG. 1.

The broken lines in the drawing views are included for illustrating portions of the diaper caddy, and form no part of the claimed design.

**1 Claim, 8 Drawing Sheets**



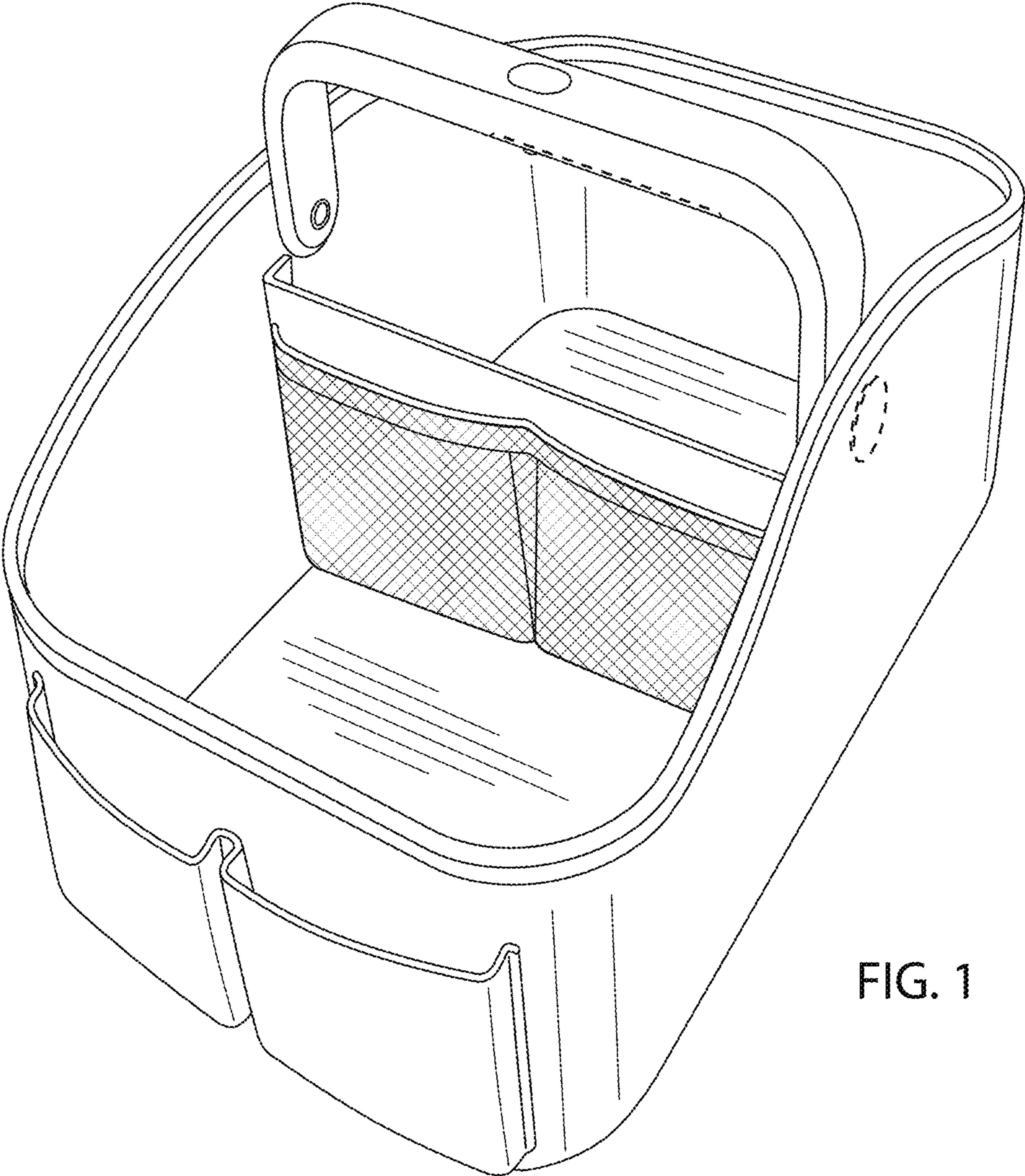


FIG. 1

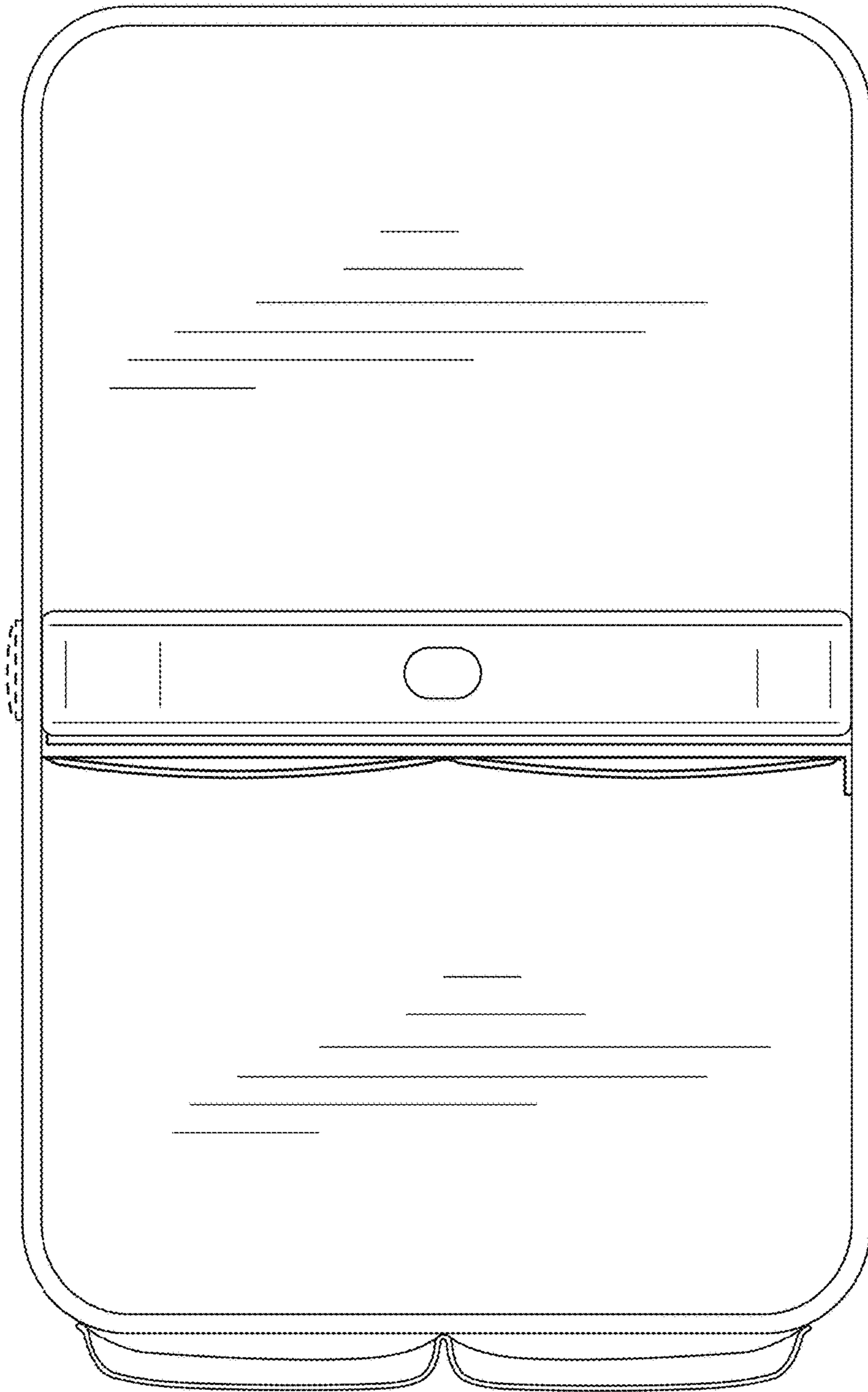


FIG. 2

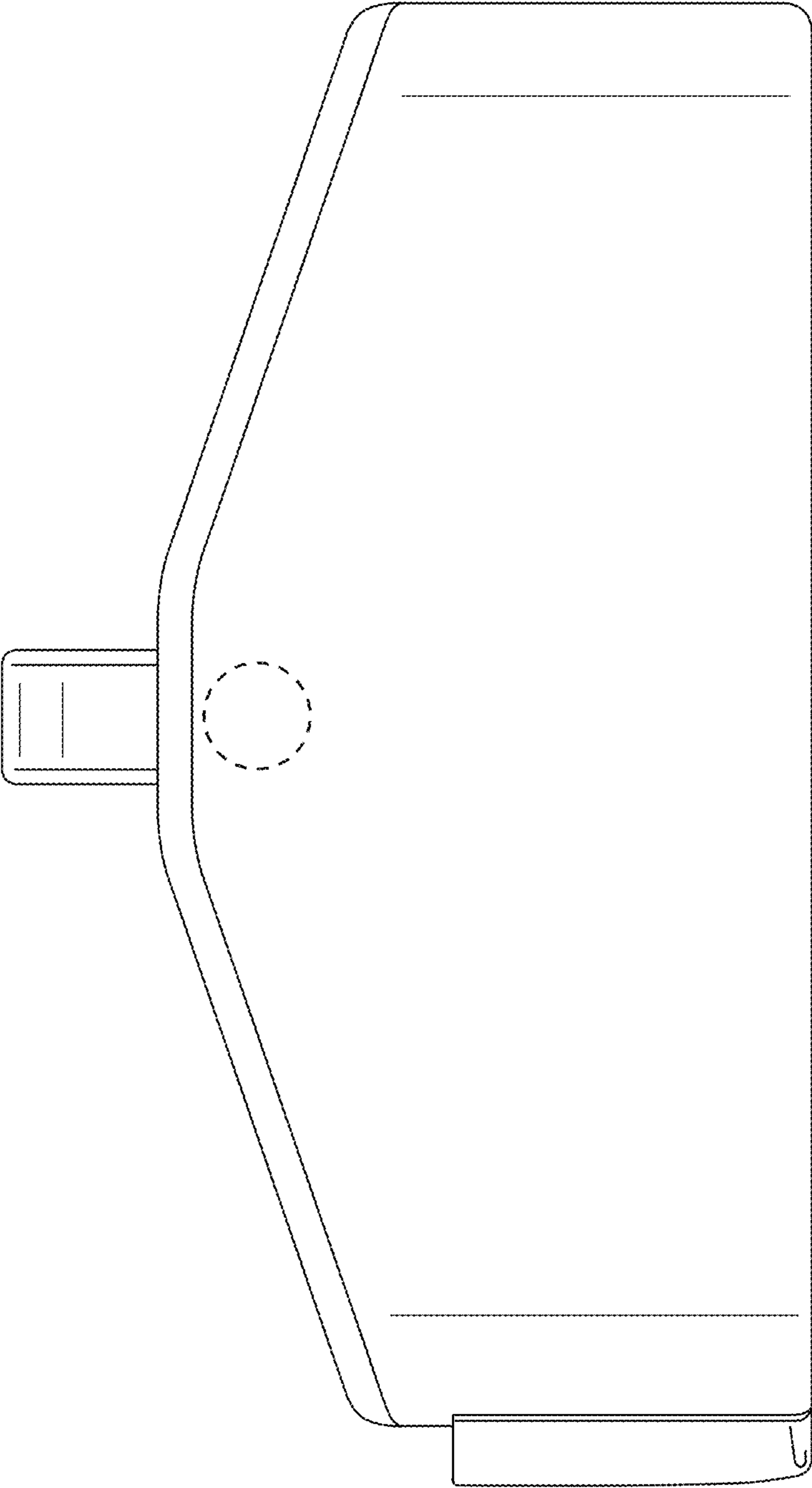


FIG. 3

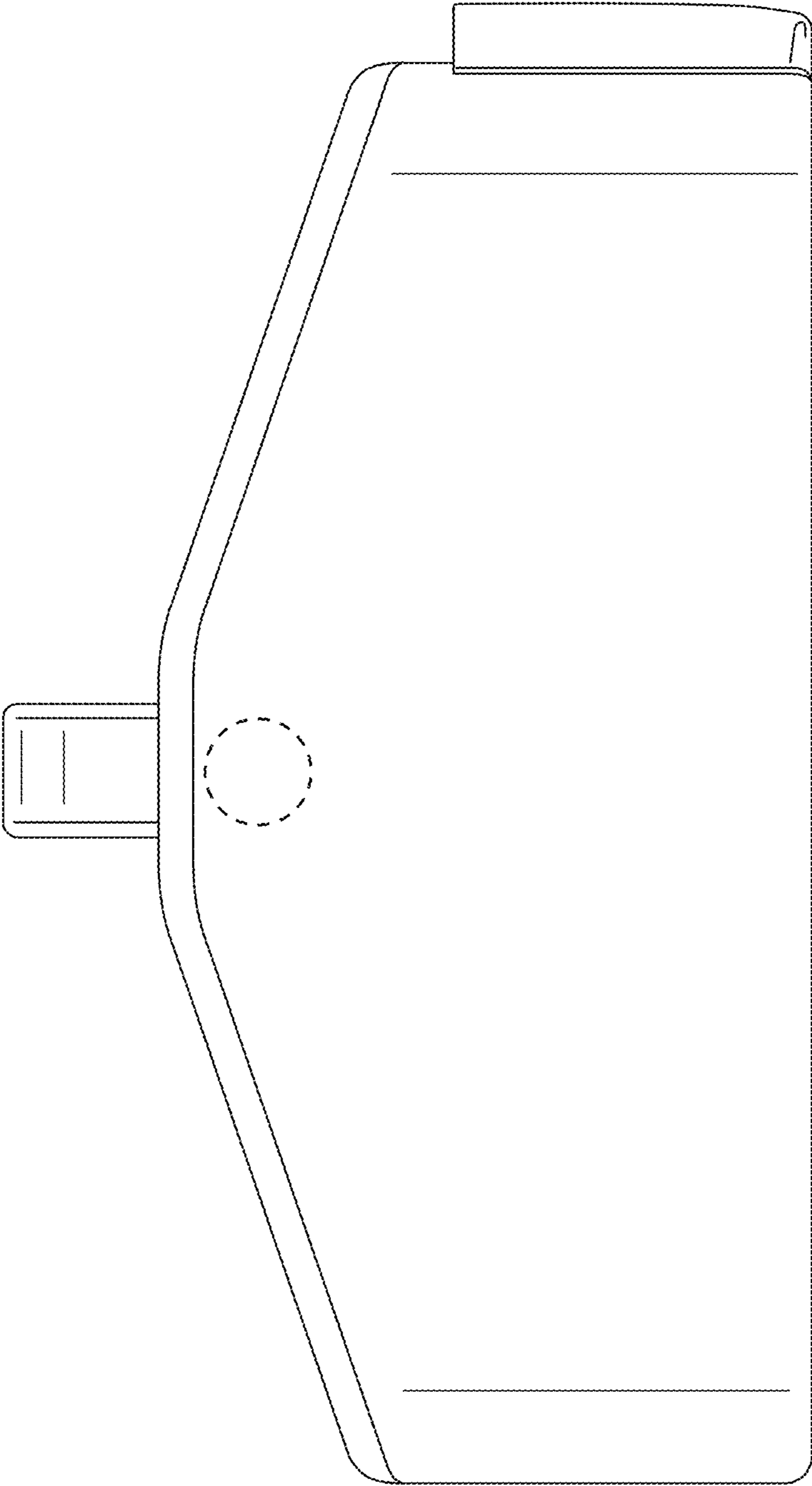


FIG. 4

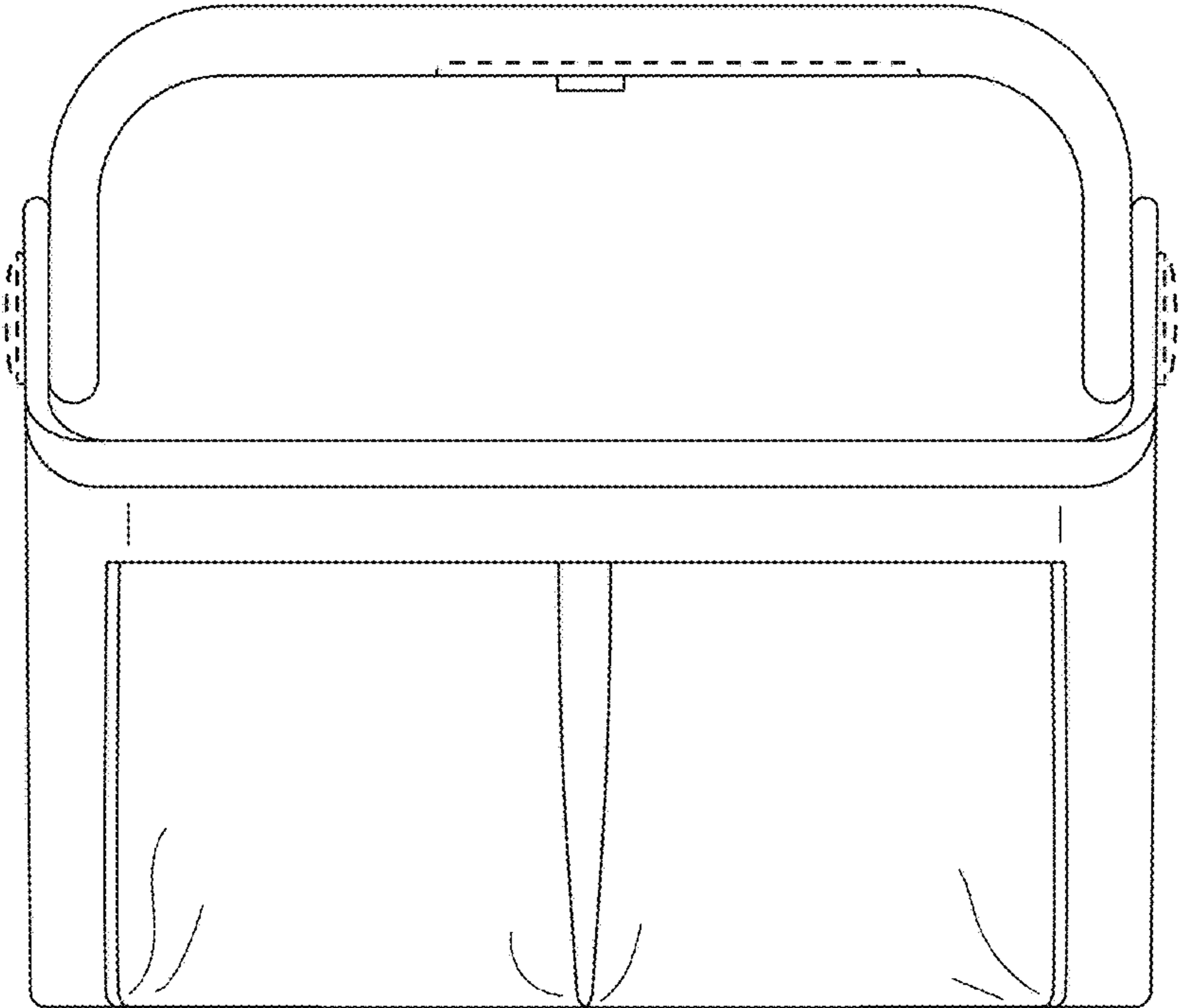


FIG. 5

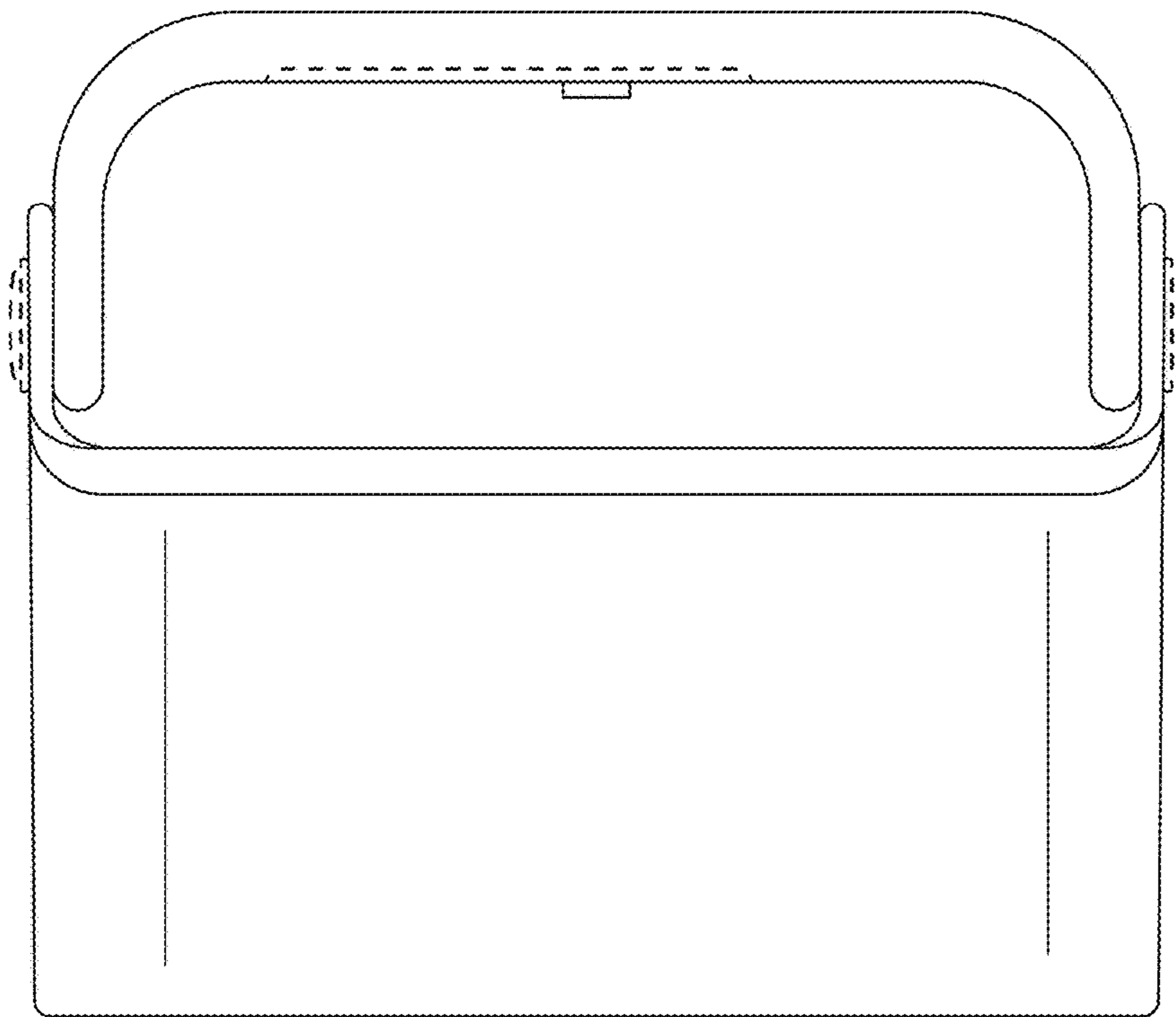


FIG. 6

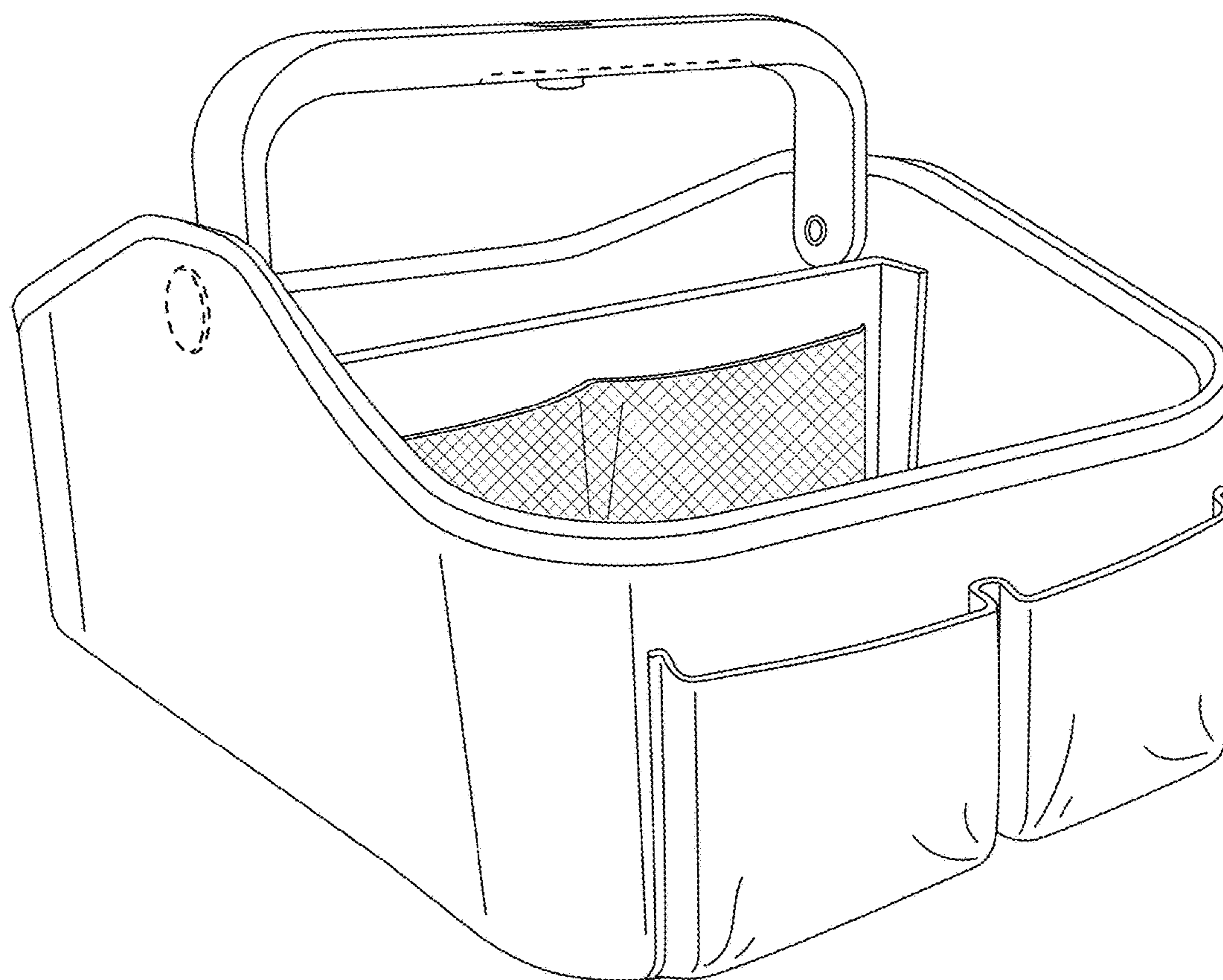


FIG. 7



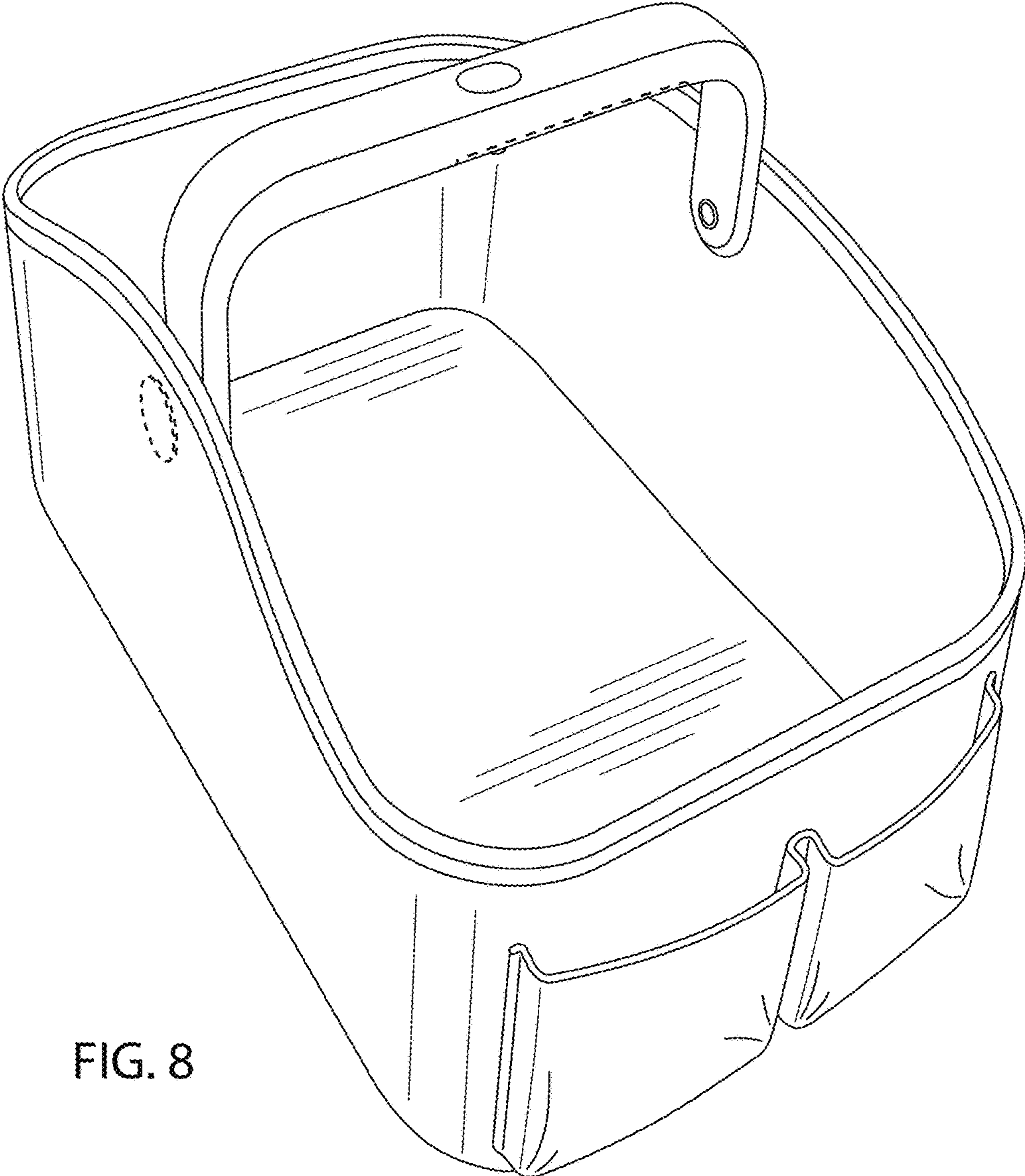


FIG. 8