



US00D843110S

(12) **United States Design Patent**  
**Rydberg**

(10) **Patent No.:** **US D843,110 S**  
(45) **Date of Patent:** **\*\* Mar. 19, 2019**

- (54) **FASHION ACCESSORY**
- (71) Applicant: **Danielle Rydberg**, Louisville, KY (US)
- (72) Inventor: **Danielle Rydberg**, Louisville, KY (US)
- (\*\*) Term: **15 Years**
- (21) Appl. No.: **29/585,095**
- (22) Filed: **Nov. 21, 2016**
- (51) **LOC (11) Cl.** ..... **03-01**
- (52) **U.S. Cl.**  
USPC ..... **D3/254; D3/327**
- (58) **Field of Classification Search**  
USPC ..... D3/213, 215, 254, 255, 267, 268, 318,  
D3/327; D22/139, 147, 148; D29/100,  
D29/101.1–101.5, 122; D11/201;  
D16/243; D17/20; 224/150, 600–607,  
224/268, 269; 24/163 R, 164, 302, 182,  
24/196–200  
CPC ..... Y10S 224/904; A45F 5/02; A45F 5/021;  
A45F 3/14; Y10T 24/40; Y10T 24/1408;  
Y10T 24/342; Y10T 24/4093; Y10T  
24/45136; B68C 1/14; B68C 1/147  
See application file for complete search history.

- 4,106,679 A \* 8/1978 Hillinger ..... A45F 5/00  
224/197
- D250,571 S \* 12/1978 Winslow ..... D8/356
- D255,716 S \* 7/1980 Giesa ..... D24/199
- 4,372,468 A \* 2/1983 Harvey ..... B25H 3/00  
211/70.6
- D271,413 S \* 11/1983 Munroe ..... D22/147
- D288,626 S \* 3/1987 Webber ..... D3/221
- D291,058 S \* 7/1987 Sorensen ..... D8/356
- 4,790,461 A \* 12/1988 Stover ..... A45F 5/00  
224/234
- 4,830,247 A \* 5/1989 Banks ..... B25H 3/006  
211/70.6
- D313,343 S \* 1/1991 Sachs ..... D11/218  
(Continued)

*Primary Examiner* — Cathron C Brooks  
*Assistant Examiner* — W. A. Teddy Falloway  
 (74) *Attorney, Agent, or Firm* — James R. Hayne; Stites  
 & Harbison PLLC

(57) **CLAIM**

The ornamental design for a fashion accessory, as shown and described.

**DESCRIPTION**

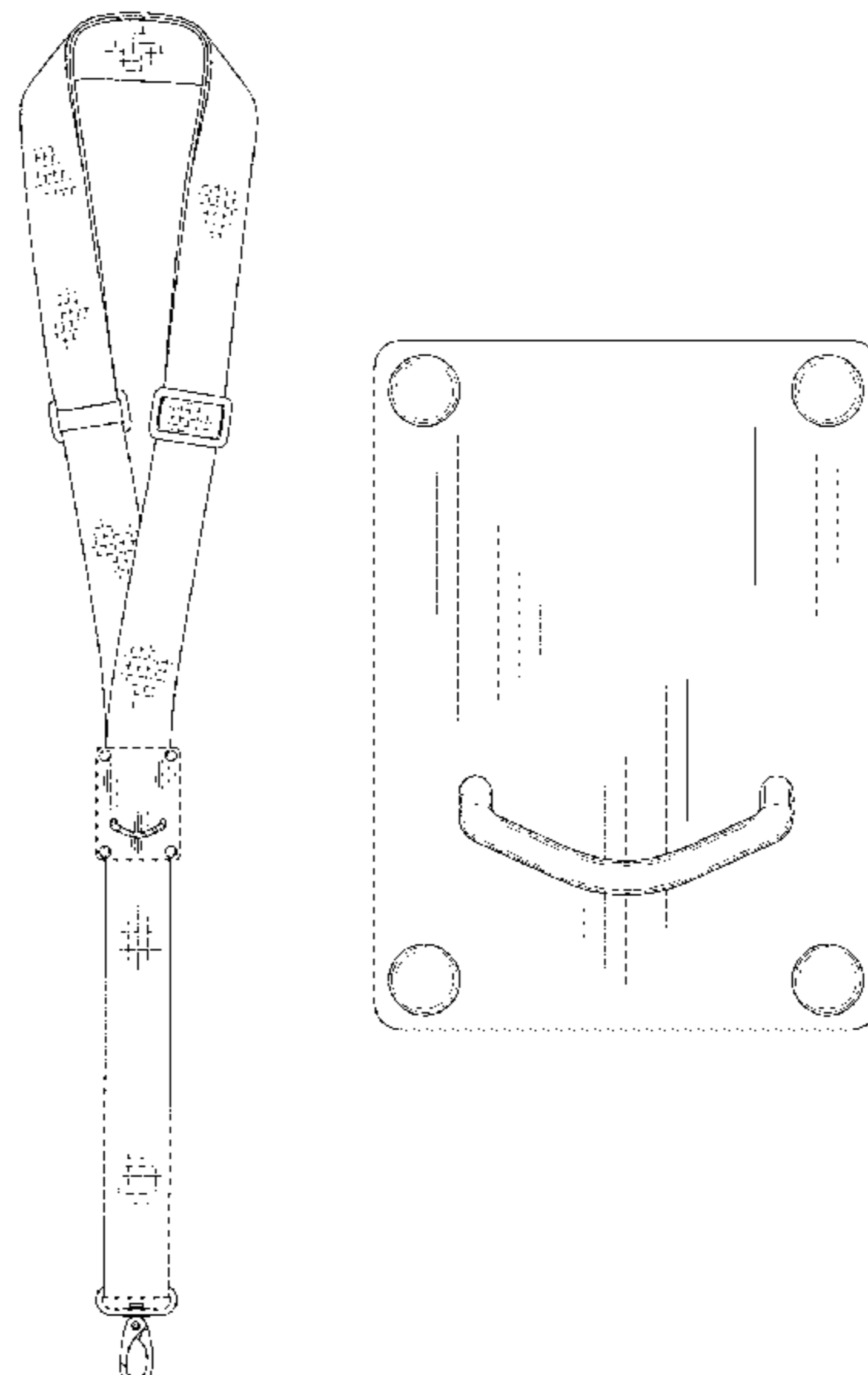
FIG. 1 is a perspective view of a fashion accessory, shown in a clipped configuration;  
 FIG. 2 is a top view thereof, shown in an unclipped configuration;  
 FIG. 3 is a bottom view thereof;  
 FIG. 4 is a top view of the buckle of the design in FIG. 1, shown separately for completeness of illustration;  
 FIG. 5 is a bottom view thereof;  
 FIG. 6 is a front view thereof;  
 FIG. 7 is a rear view thereof;  
 FIG. 8 is a left side view thereof; and,  
 FIG. 9 is a right view thereof.  
 The broken lines in FIG. 1 represent environment that forms no part of the claimed design.

**1 Claim, 5 Drawing Sheets**

(56) **References Cited**

U.S. PATENT DOCUMENTS

- 223,939 A \* 1/1880 Miller ..... A44B 11/10  
24/194
- 230,156 A \* 7/1880 Sprague ..... A44B 11/24  
24/163 R
- 259,772 A \* 6/1882 O'Daniel et al. .... B68B 3/22  
54/56
- 279,706 A \* 6/1883 Carroll ..... A61G 19/00  
224/258
- D221,123 S \* 7/1971 Nicholas ..... D3/228
- 3,678,541 A \* 7/1972 Lefkowitz ..... A44B 11/04  
24/17 B
- D243,655 S \* 3/1977 Matousek ..... D8/354



(56)

## References Cited

## U.S. PATENT DOCUMENTS

5,040,273 A \* 8/1991 Hoffman ..... A41F 1/00  
24/199  
D330,806 S \* 11/1992 Seber ..... D3/228  
D363,877 S \* 11/1995 Dee ..... D8/373  
D366,144 S \* 1/1996 Alves ..... D3/228  
5,949,339 A \* 9/1999 Ettinger ..... B68C 1/14  
340/539.1  
D452,071 S \* 12/2001 Snider ..... D3/228  
D452,610 S \* 1/2002 Schwartzmiller ..... D3/228  
D479,554 S \* 9/2003 Boron ..... D17/20  
D487,391 S \* 3/2004 Balaban ..... D8/354  
7,175,061 B2 \* 2/2007 Dohn ..... A45F 5/02  
224/241  
D559,083 S \* 1/2008 Brassard ..... D8/354  
D576,075 S \* 9/2008 Freeman ..... D11/218  
D673,994 S \* 1/2013 Geller ..... D16/243  
D681,504 S \* 5/2013 Kalbach ..... D11/201  
D734,742 S \* 7/2015 Fujioka ..... D14/217  
D737,659 S \* 9/2015 McMorris ..... D8/330  
D737,667 S \* 9/2015 Moreau ..... D8/358  
D737,668 S \* 9/2015 Moreau ..... D8/358  
D738,709 S \* 9/2015 Moreau ..... D8/358  
D764,789 S \* 8/2016 Dampha ..... D3/228  
D770,168 S \* 11/2016 Patulski ..... D3/215  
D778,805 S \* 2/2017 Klinck ..... D12/400  
D794,705 S \* 8/2017 Corcorran ..... D17/20  
D796,185 S \* 9/2017 Masten ..... D3/213  
D807,634 S \* 1/2018 Eremita ..... D3/215  
D810,426 S \* 2/2018 Hulme ..... D3/232  
D815,390 S \* 4/2018 Adrianse ..... D2/627  
D822,300 S \* 7/2018 Lundquist ..... D32/53

\* cited by examiner

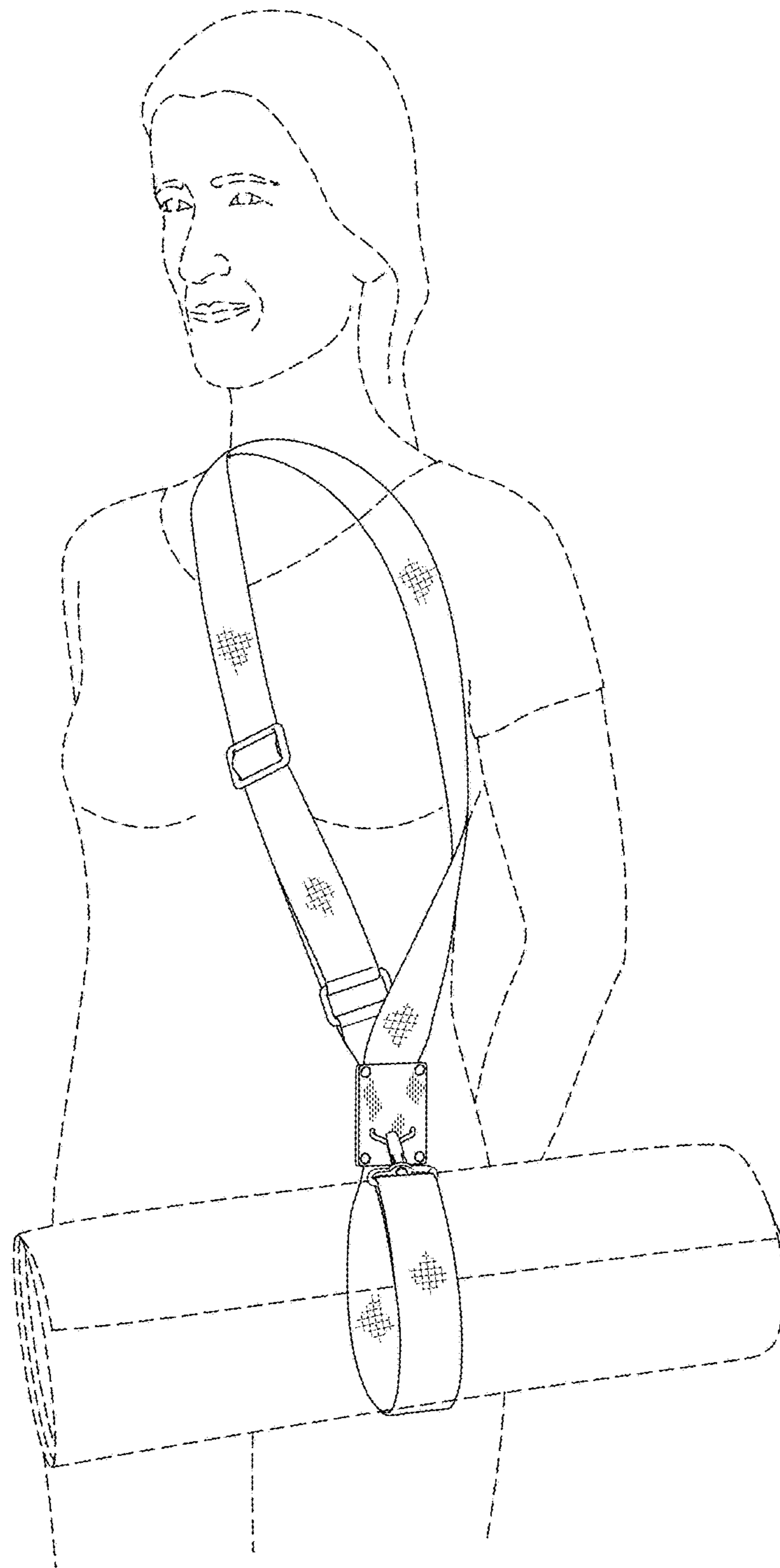


FIG. 1

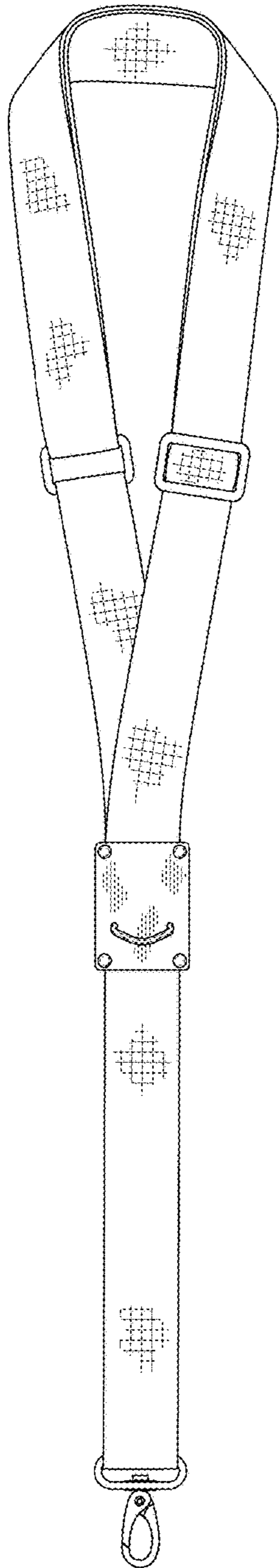


FIG. 2

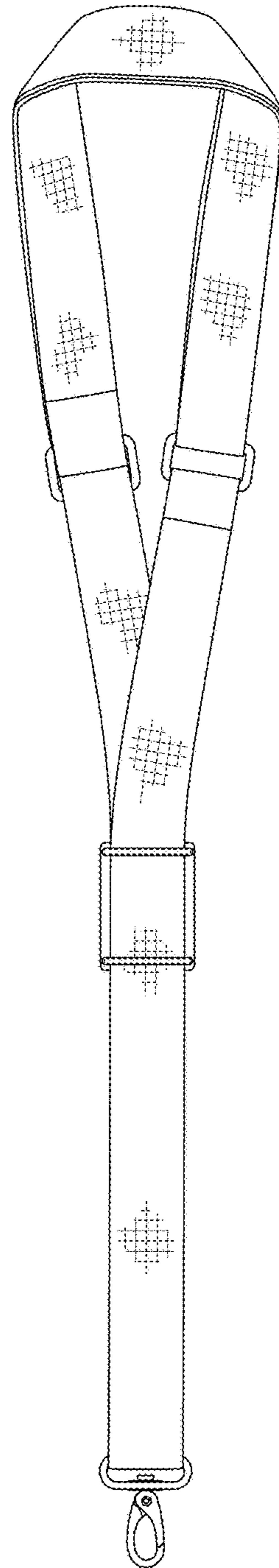


FIG. 3

FIG. 4

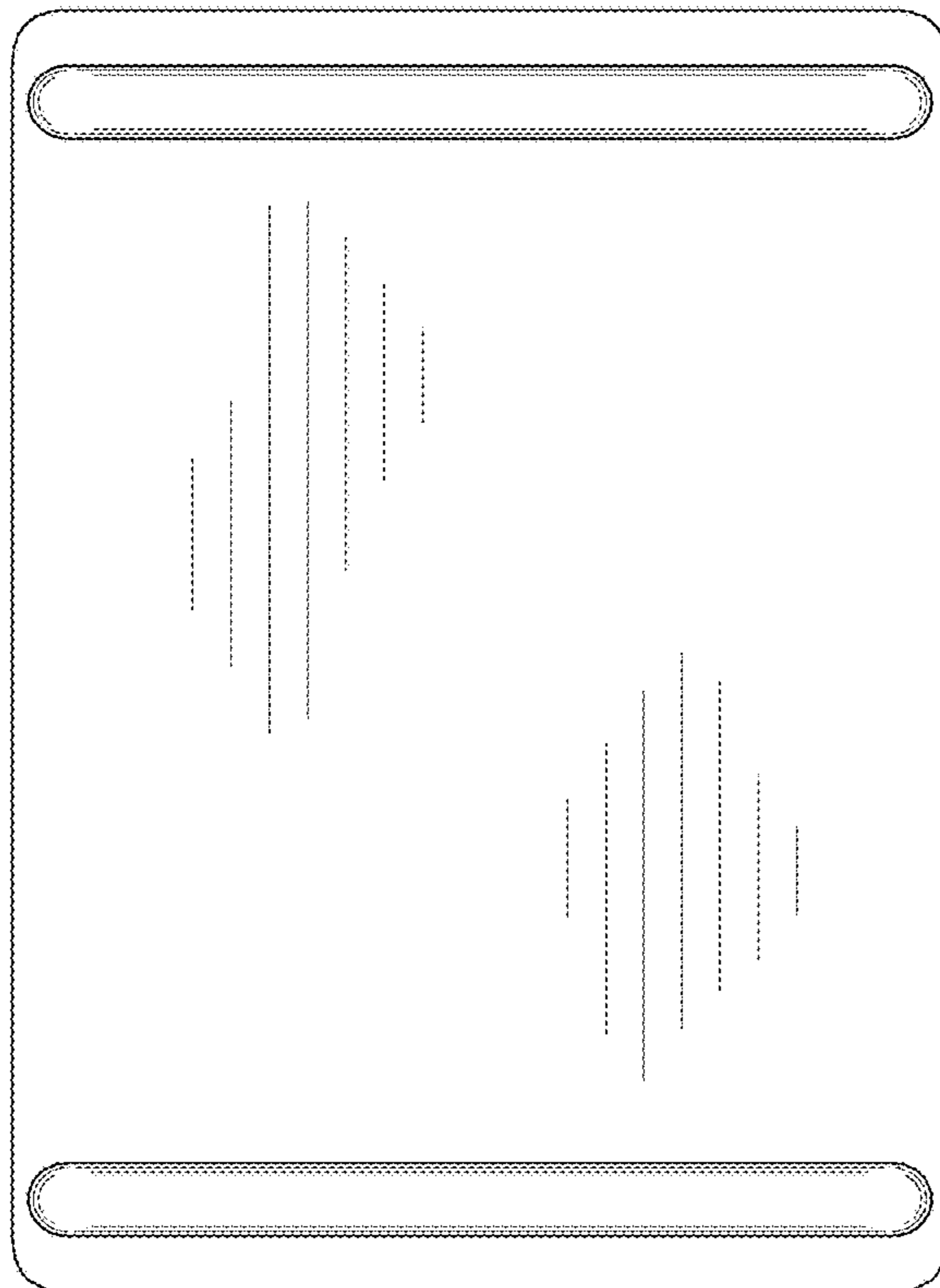
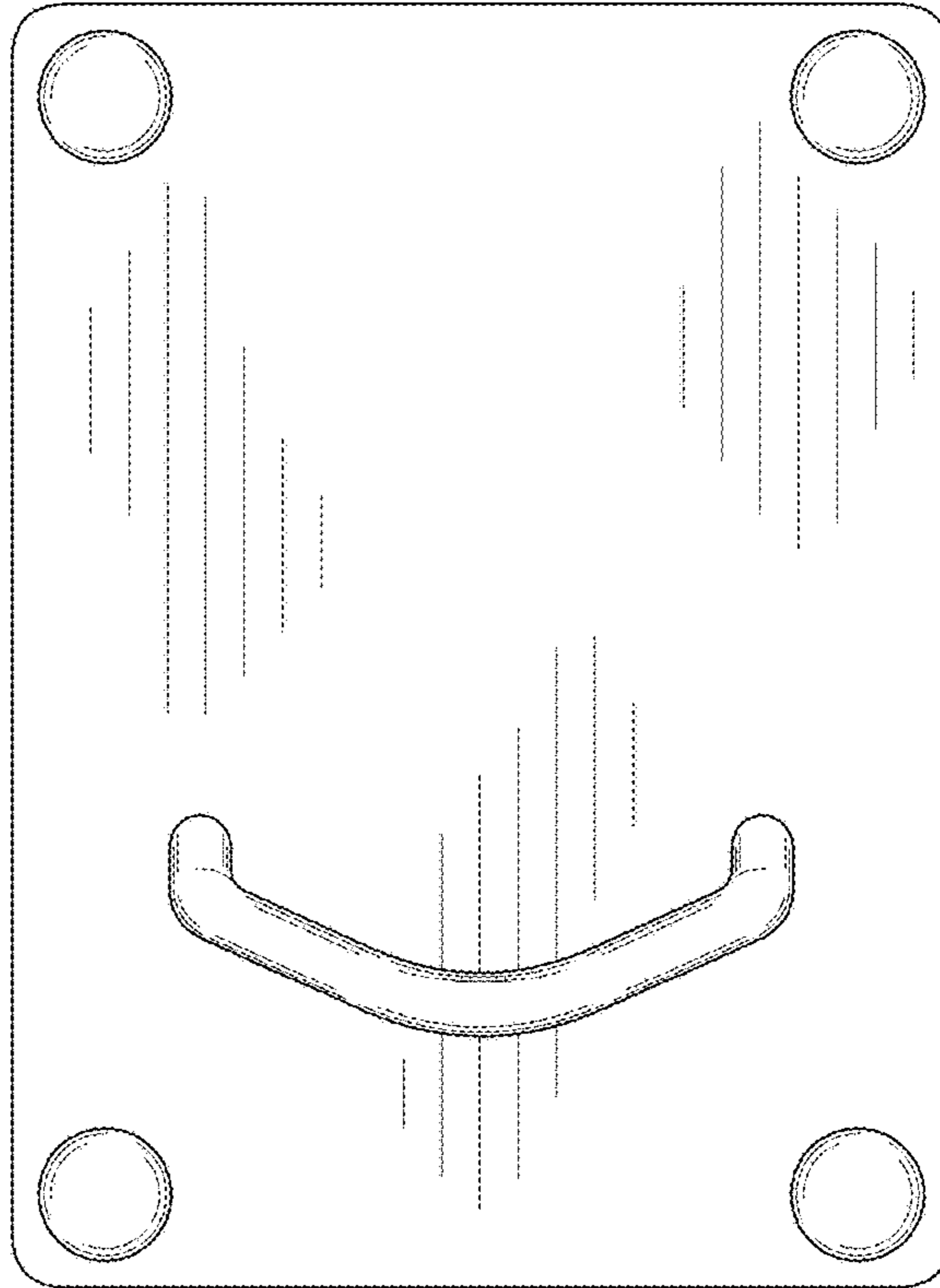


FIG. 5

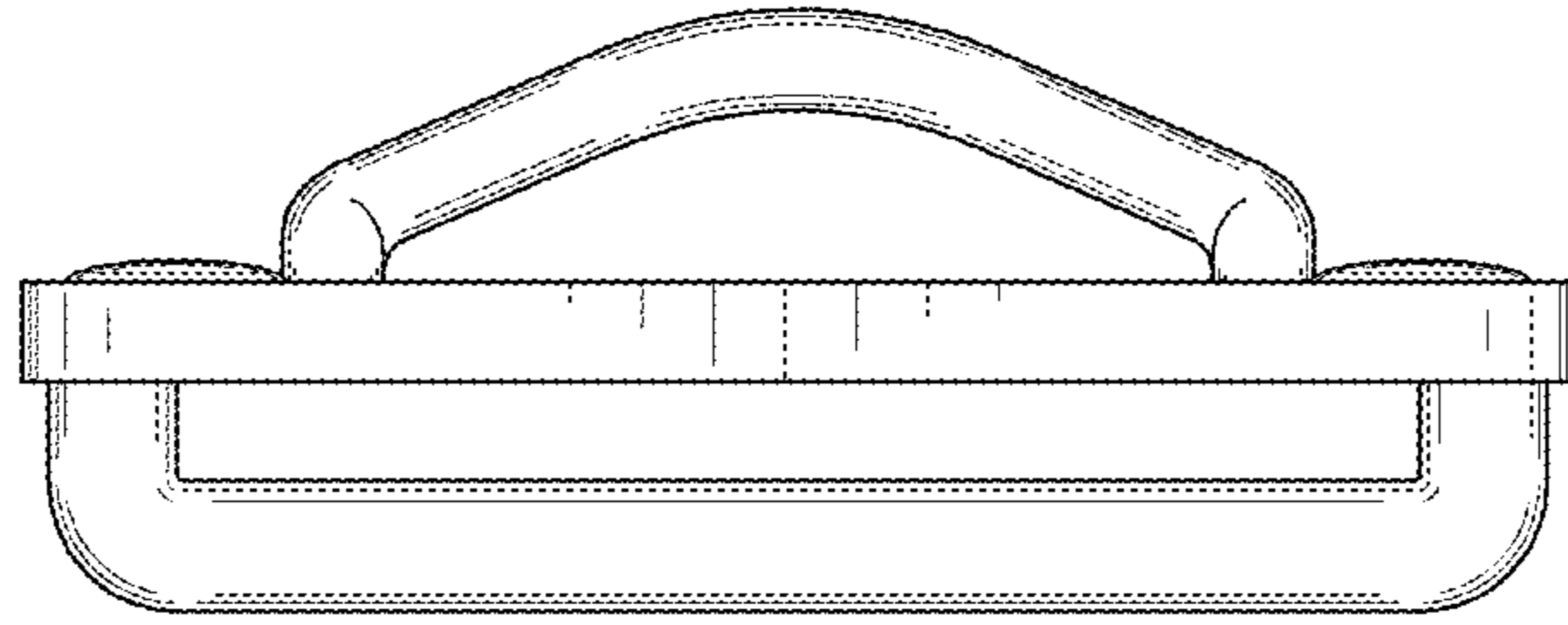


FIG. 6

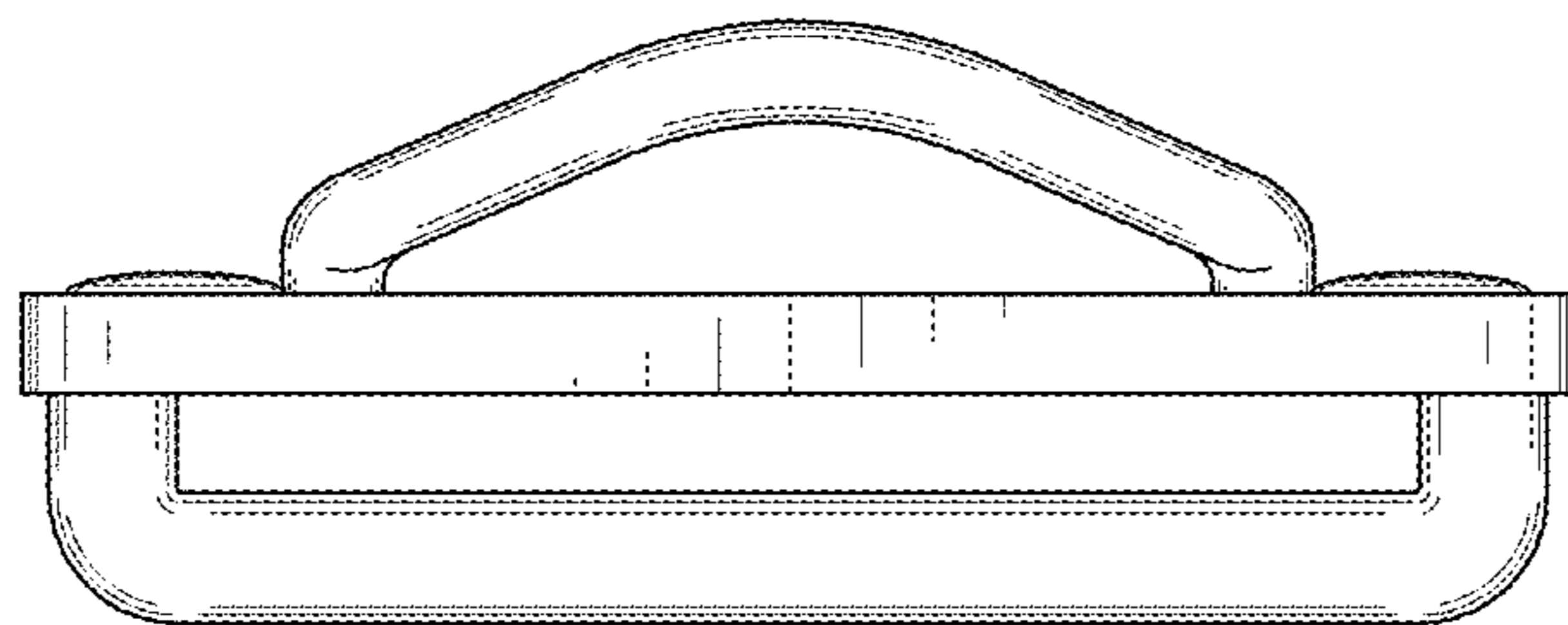


FIG. 7

FIG. 8

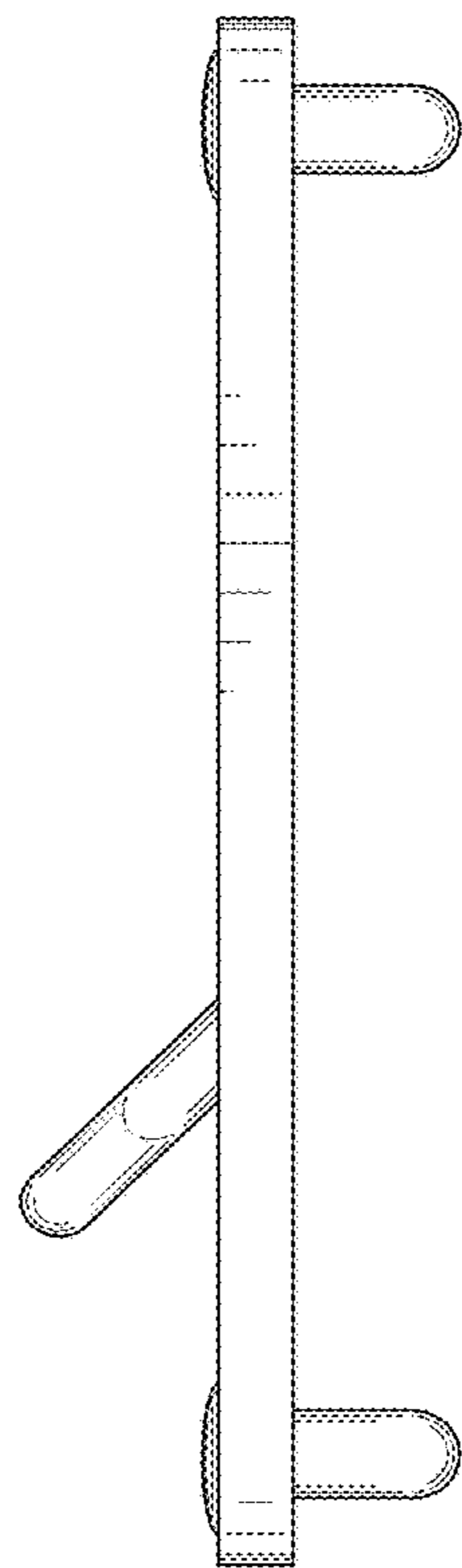
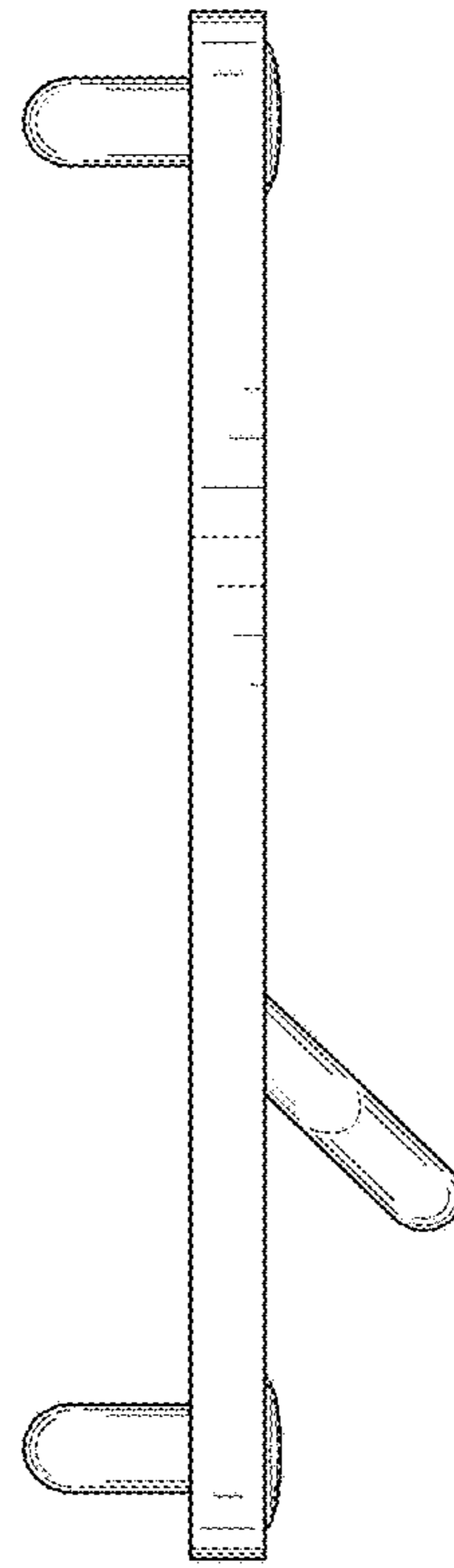


FIG. 9