



US00D843108S

(12) **United States Design Patent**
Munson

(10) **Patent No.:** **US D843,108 S**
(45) **Date of Patent:** **** Mar. 19, 2019**

(54) **PHONE CASE**

D765,392 S * 9/2016 Chang D3/215
D773,803 S * 12/2016 Larsen D14/253
D822,380 S * 7/2018 McBrayer D3/218

(71) Applicant: **SADDLEBACK LEATHER COMPANY, LLC**, Fort Worth, TX (US)

* cited by examiner

(72) Inventor: **David C. Munson**, San Antonio, TX (US)

Primary Examiner — Catherine R Oliver-Garcia
(74) *Attorney, Agent, or Firm* — Alston & Bird LLP

(73) Assignee: **SADDLEBACK LEATHER COMPANY, LLC**, Fort Worth, TX (US)

(57) **CLAIM**

The ornamental design for a phone case, as shown and described.

(**) Term: **15 Years**

DESCRIPTION

(21) Appl. No.: **29/626,327**

(22) Filed: **Nov. 16, 2017**

(51) **LOC (11) Cl.** **03-01**

(52) **U.S. Cl.**
USPC **D3/218**

(58) **Field of Classification Search**
USPC D3/215, 218, 327, 224, 226; 224/101, 224/256–257, 270, 325, 600, 604, 615, 224/625

CPC A45F 5/00; A45F 5/02; A45F 5/021; A45F 2200/0516

See application file for complete search history.

FIG. 1 is a perspective view of a phone case according to our new design;
FIG. 2 is a front elevation view thereof;
FIG. 3 is a rear elevation view thereof;
FIG. 4 is a right side elevation view thereof;
FIG. 5 is a left side elevation view thereof;
FIG. 6 is a top elevation view thereof; and
FIG. 7 is a bottom plan view thereof.
FIG. 8 is a perspective view of a phone case according to another embodiment of our new design;
FIG. 9 is a front elevation view thereof;
FIG. 10 is a rear elevation view thereof;
FIG. 11 is a right side elevation view thereof;
FIG. 12 is a left side elevation view thereof;
FIG. 13 is a top elevation view thereof; and
FIG. 14 is a bottom plan view thereof.

The broken lines depict environmental structure and are for illustrative purposes only and form no part of the claimed design.

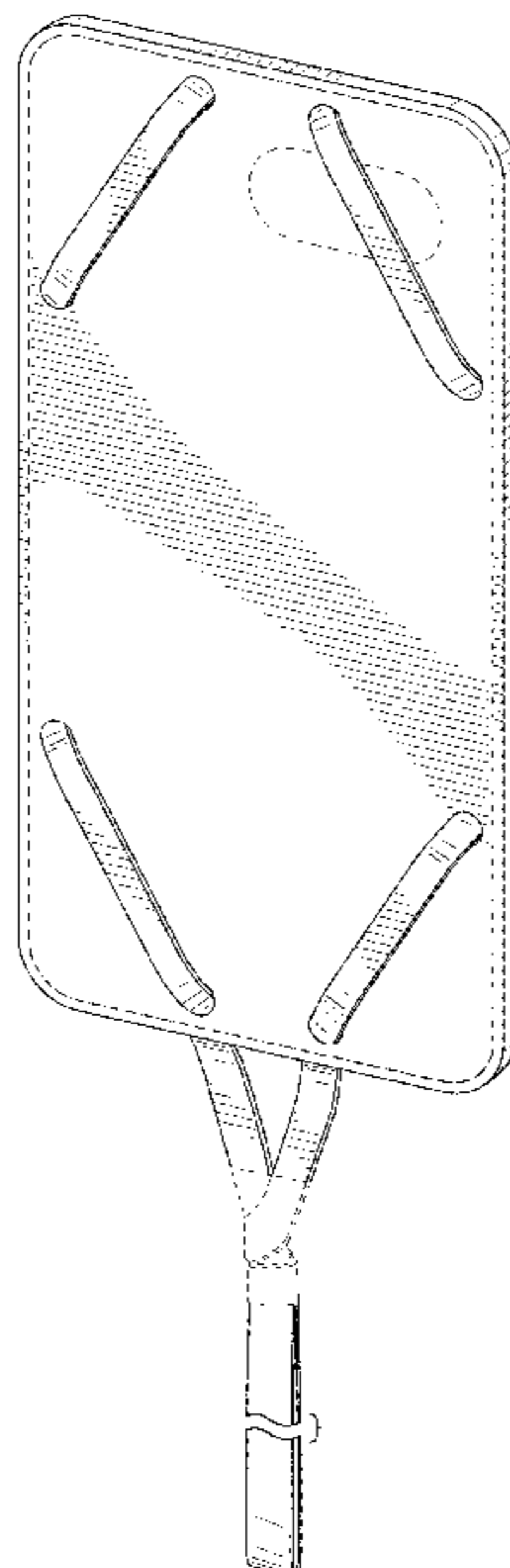
The strap is shown broken away to indicate that no particular length is claimed, and any portion shown between the break forms no part of the claimed design.

(56) **References Cited**

U.S. PATENT DOCUMENTS

8,523,031 B2 * 9/2013 Hedrick A45F 5/00 224/257
8,752,743 B2 * 6/2014 Nazarenko A45F 5/00 224/101
8,794,495 B1 * 8/2014 Wathen A45F 5/00 224/600
9,004,330 B2 * 4/2015 White A45F 5/00 224/256

1 Claim, 10 Drawing Sheets



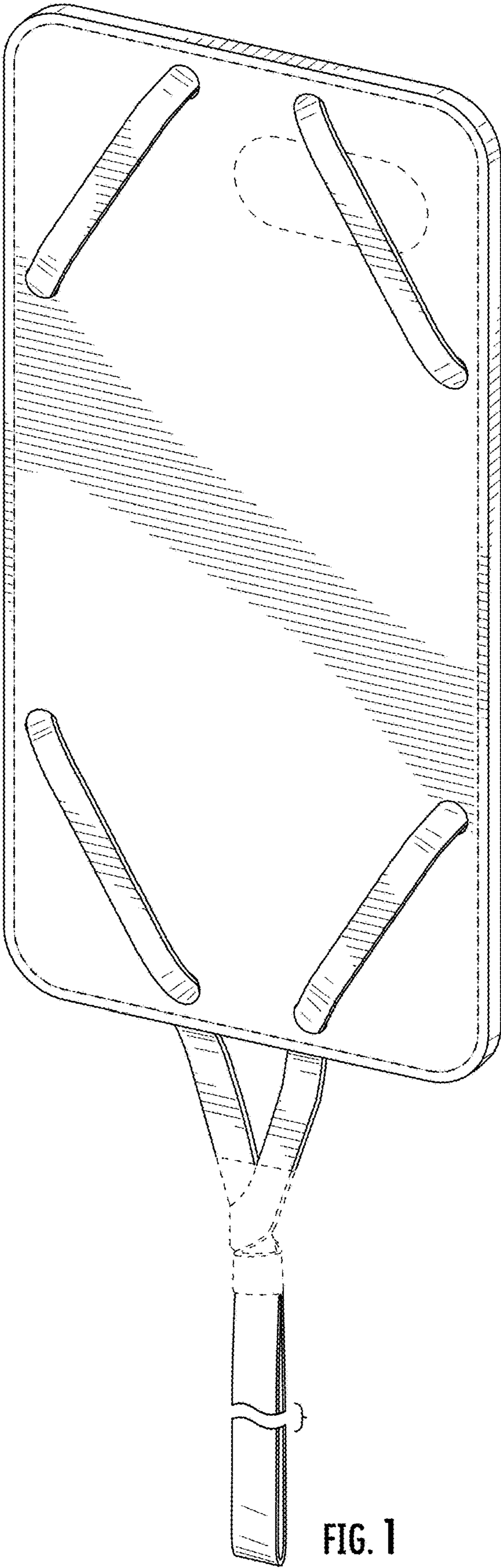


FIG. 1

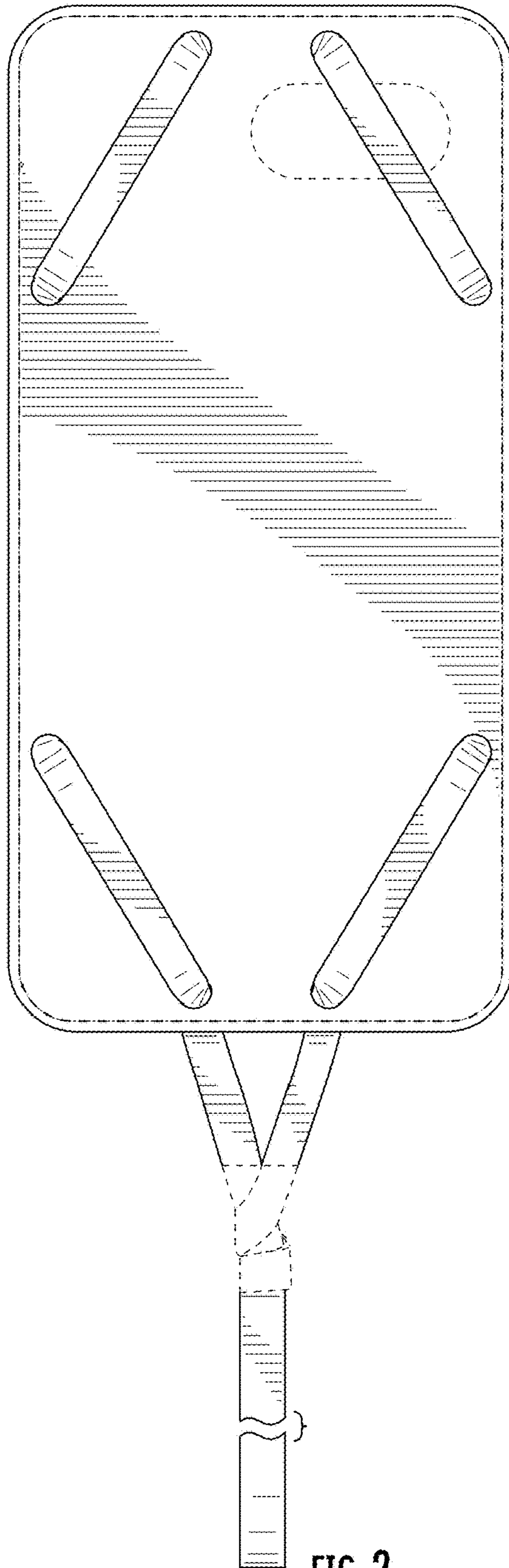


FIG. 2

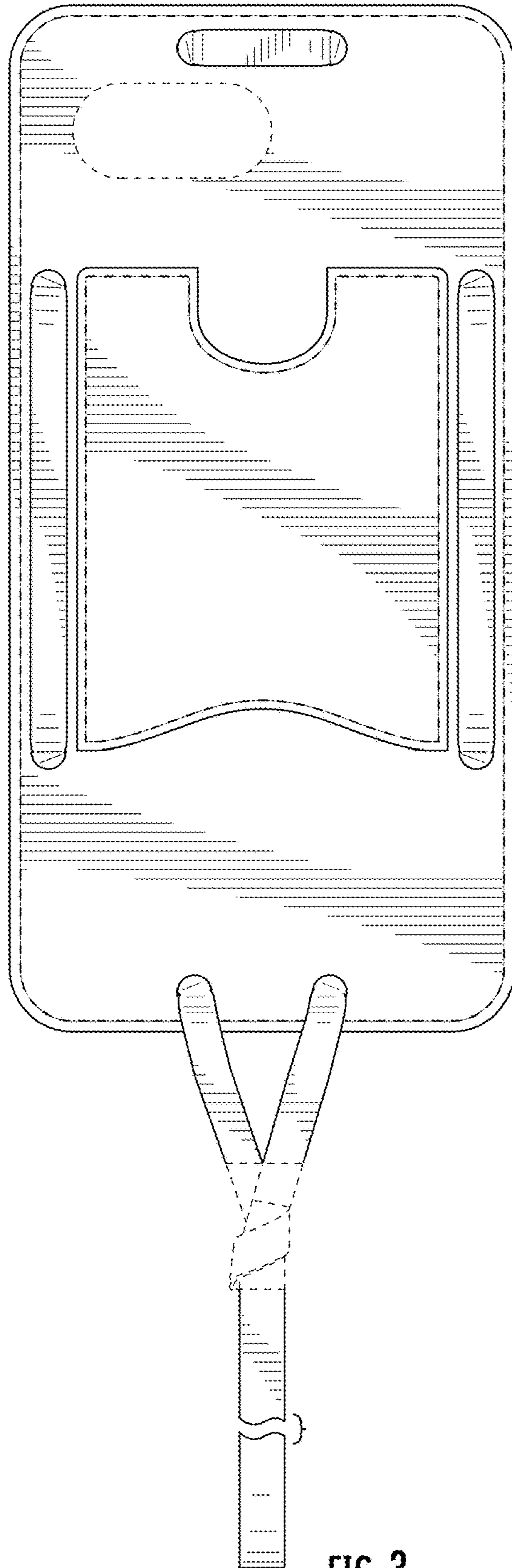


FIG. 3

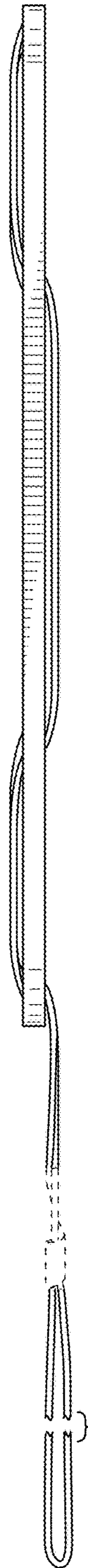


FIG. 4



FIG. 5

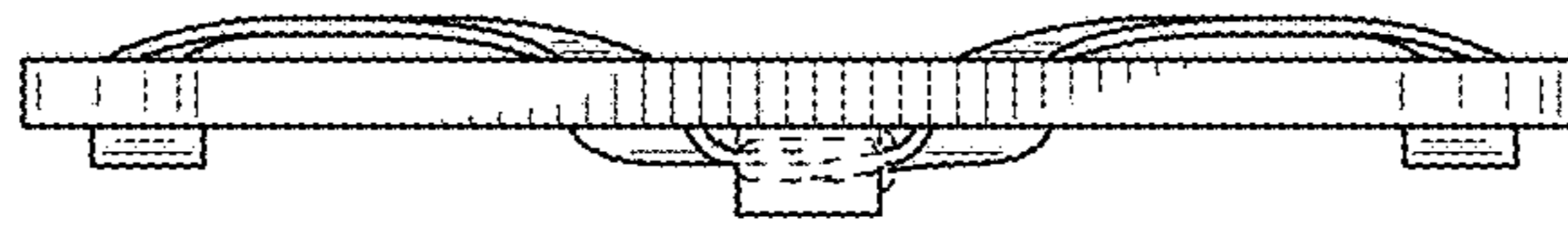


FIG. 6

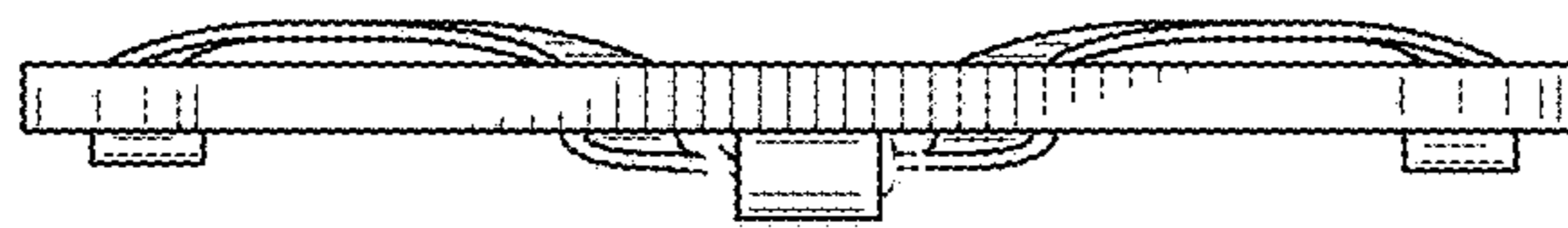


FIG. 7

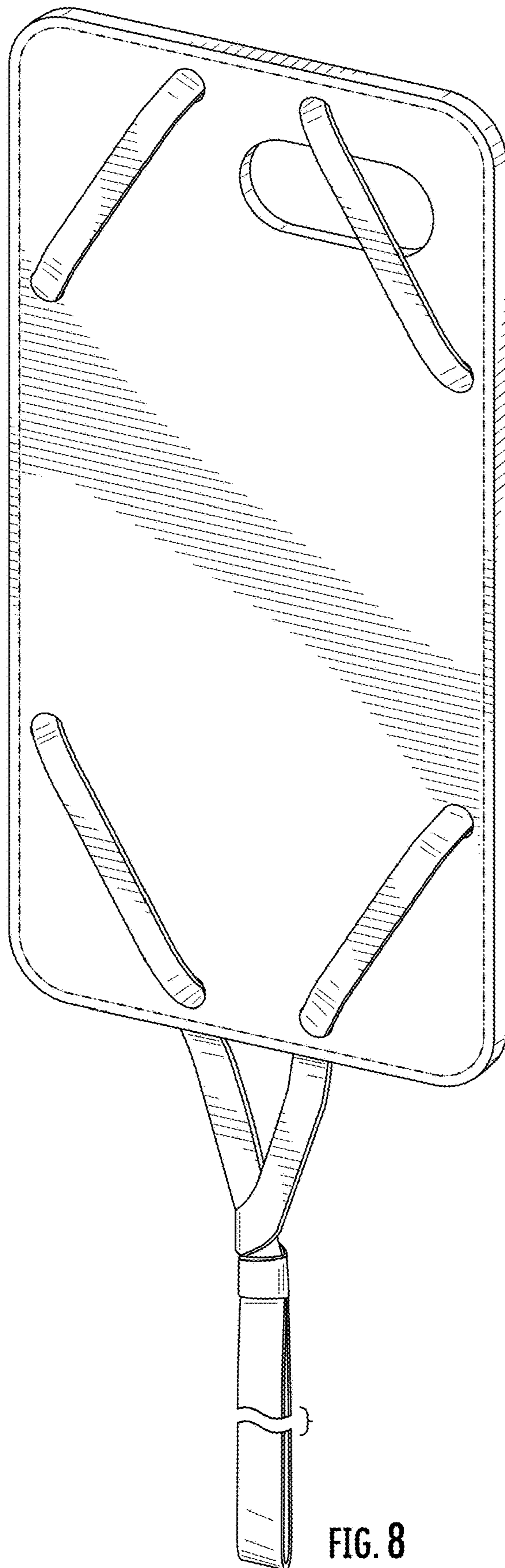


FIG. 8

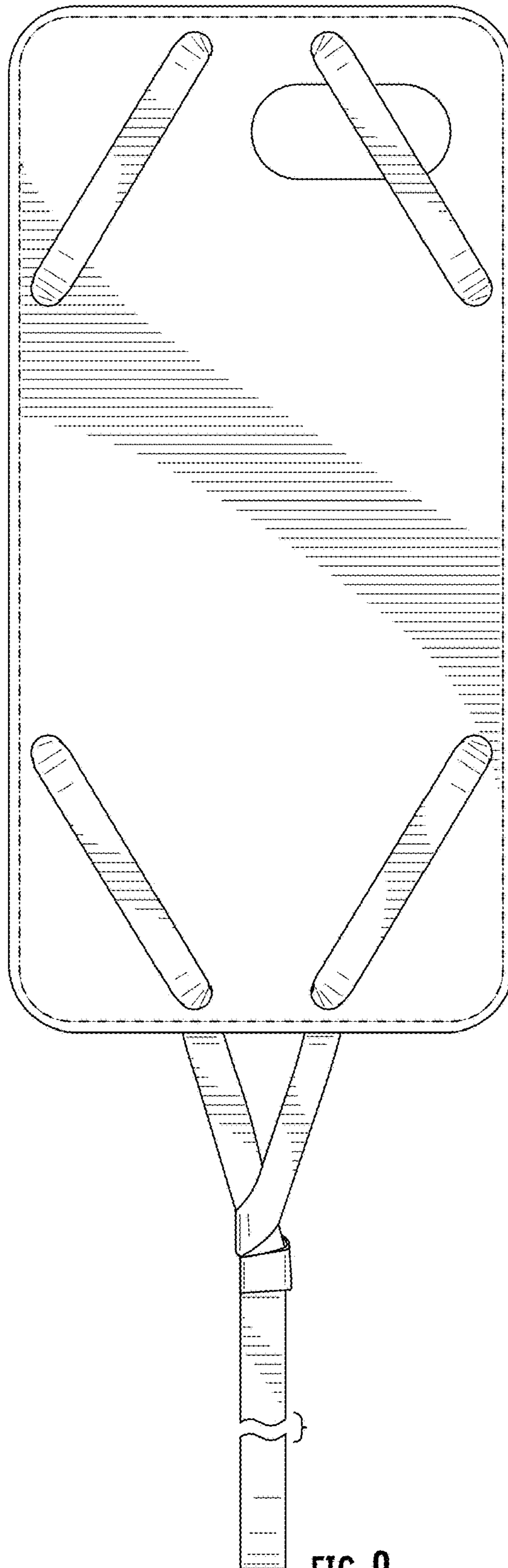


FIG. 9

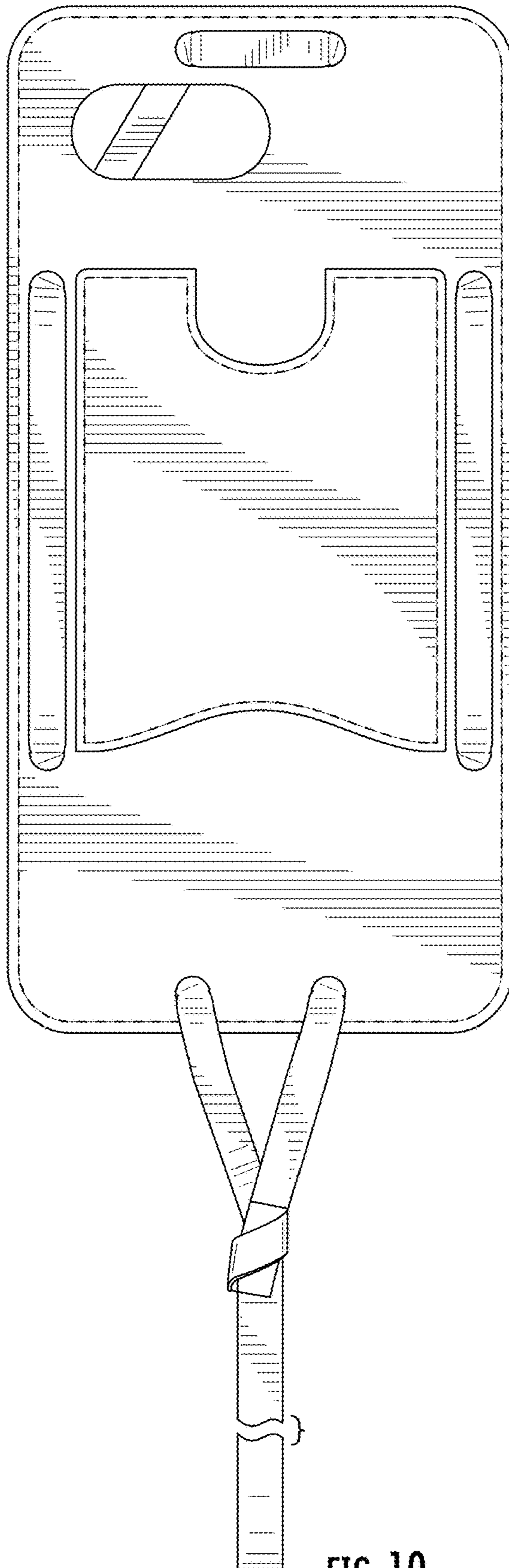


FIG. 10

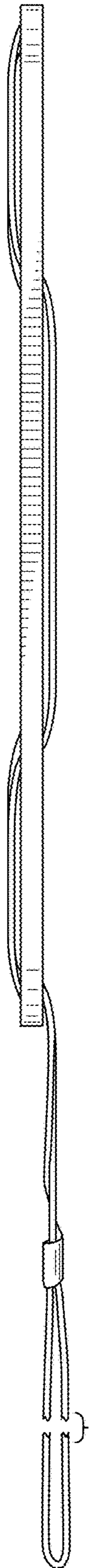


FIG. 11



FIG. 12

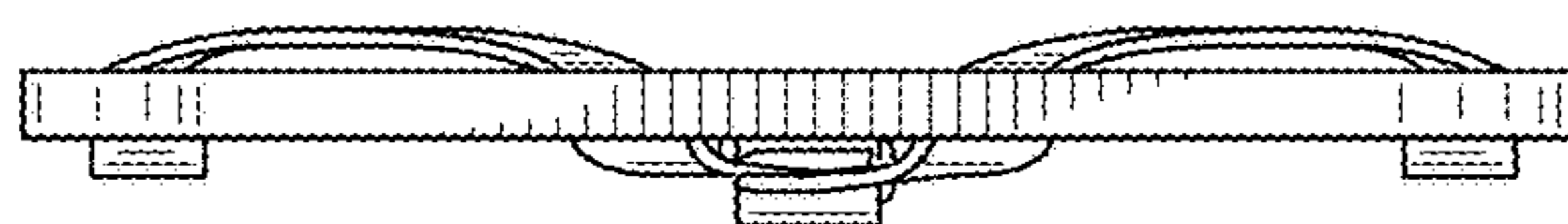


FIG. 13

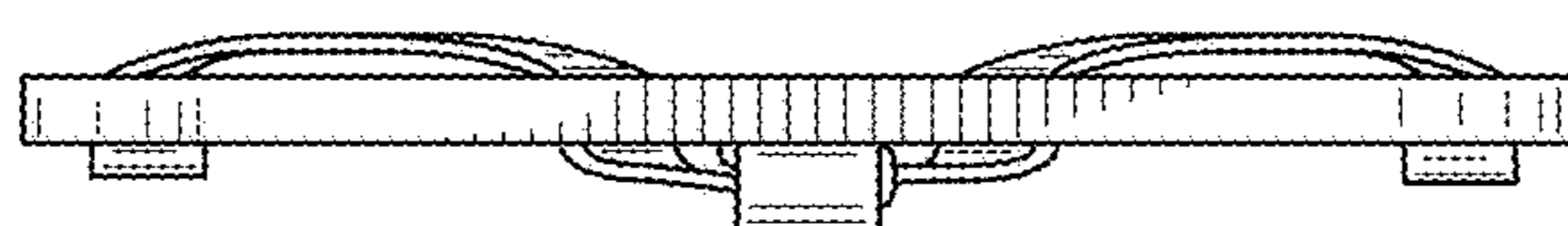


FIG. 14