



US00D843107S

(12) **United States Design Patent**
Swaggart

(10) **Patent No.:** **US D843,107 S**

(45) **Date of Patent:** **** Mar. 19, 2019**

(54) **BACKPACK**

(71) Applicant: **Matthew Swaggart**, Tulsa, OK (US)

(72) Inventor: **Matthew Swaggart**, Tulsa, OK (US)

(**) Term: **15 Years**

(21) Appl. No.: **29/574,020**

(22) Filed: **Aug. 11, 2016**

(51) **LOC (11) Cl.** **03-01**

(52) **U.S. Cl.**
USPC **D3/217**

(58) **Field of Classification Search**
USPC D3/201, 216, 217, 254, 272, 279, 294,
D3/233, 240, 241, 245, 246, 260, 262,
D3/268, 276, 283
CPC A45F 3/04; A45F 4/02; A45F 2003/045;
A45F 2003/125; A45F 3/02; A45F
2003/127; A45F 3/047; A45F 3/12; A45F
2003/001

See application file for complete search history.

(56) **References Cited**

U.S. PATENT DOCUMENTS

D264,769 S *	6/1982	Koszegi	D3/267
D269,479 S *	6/1983	Pelavin	D3/283
D270,586 S *	9/1983	Tatnall	D3/217
D336,153 S *	6/1993	Dulka	D3/268
D343,513 S *	1/1994	DiTizio	D3/217
D392,094 S *	3/1998	Lane	D3/217
D435,962 S *	1/2001	Kohlhase	D3/216
D491,357 S *	6/2004	Hassett	D3/263
D560,353 S *	1/2008	Harvey	D3/217
D658,363 S *	5/2012	Biddle	D3/217

D690,502 S *	10/2013	Bergquist	D3/216
D710,086 S *	8/2014	Szewczyk	D3/217
D759,370 S *	6/2016	Godzich	D3/216
D783,272 S *	4/2017	Burton	D3/217
2003/0205593 A1 *	11/2003	Lavelle	A41D 3/08 224/153
2005/0194413 A1 *	9/2005	Baker	A45C 3/14 224/153
2007/0158380 A1 *	7/2007	Calkin	A41D 13/0012 224/675
2008/0257922 A1 *	10/2008	Cragg	A45F 5/02 224/269

* cited by examiner

Primary Examiner — Jennifer L Watkins

(74) *Attorney, Agent, or Firm* — Cherskov Flaynik & Gurda, LLC

(57) **CLAIM**

The ornamental design for a backpack, as shown and described.

DESCRIPTION

FIG. 1 is a front, perspective view of the backpack invention;
FIG. 2 is a front elevational view thereof;
FIG. 3 is a back elevational view thereof;
FIG. 4 is a left side elevational view thereof;
FIG. 5 is a right side elevational view thereof;
FIG. 6 is a top plan view thereof; and,
FIG. 7 is a bottom plan view thereof.

The broken lines in the figures are for the purpose of illustrating stitching and form no part of the claim. The broken lines showing a tag on a strap is for the purpose of illustrating a portion of the article and forms no part of the claim.

1 Claim, 4 Drawing Sheets

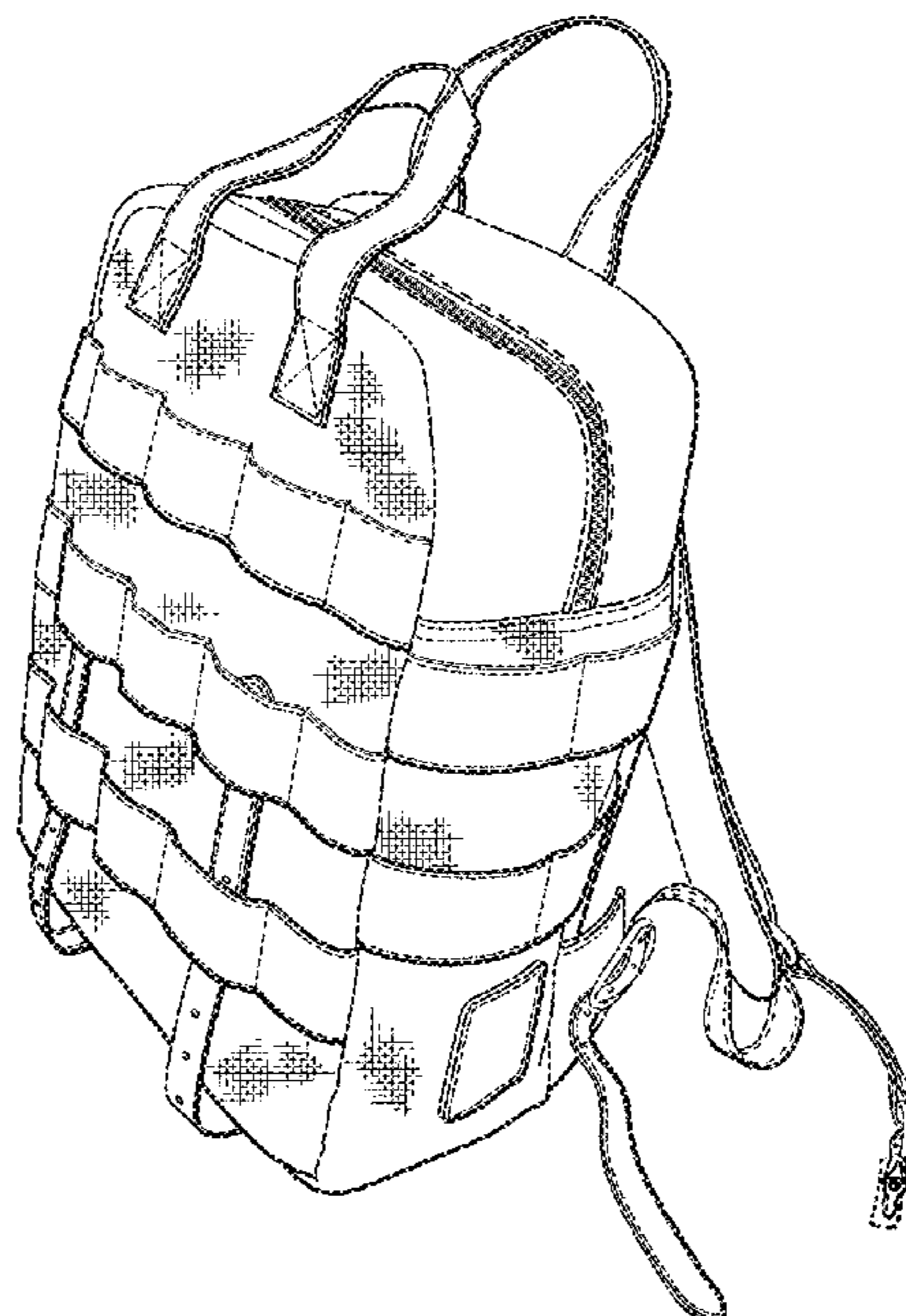


Fig. 1

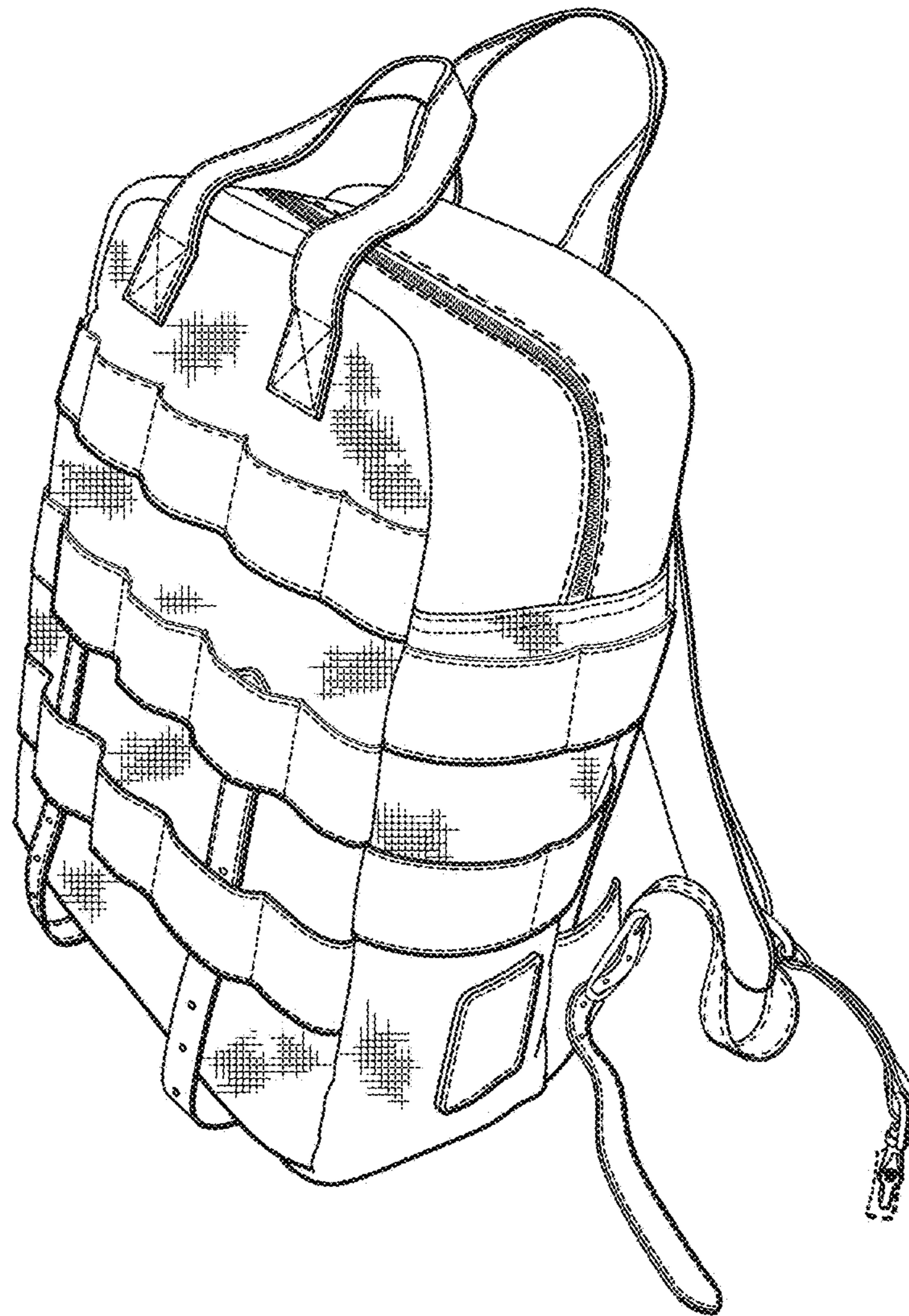


Fig. 2

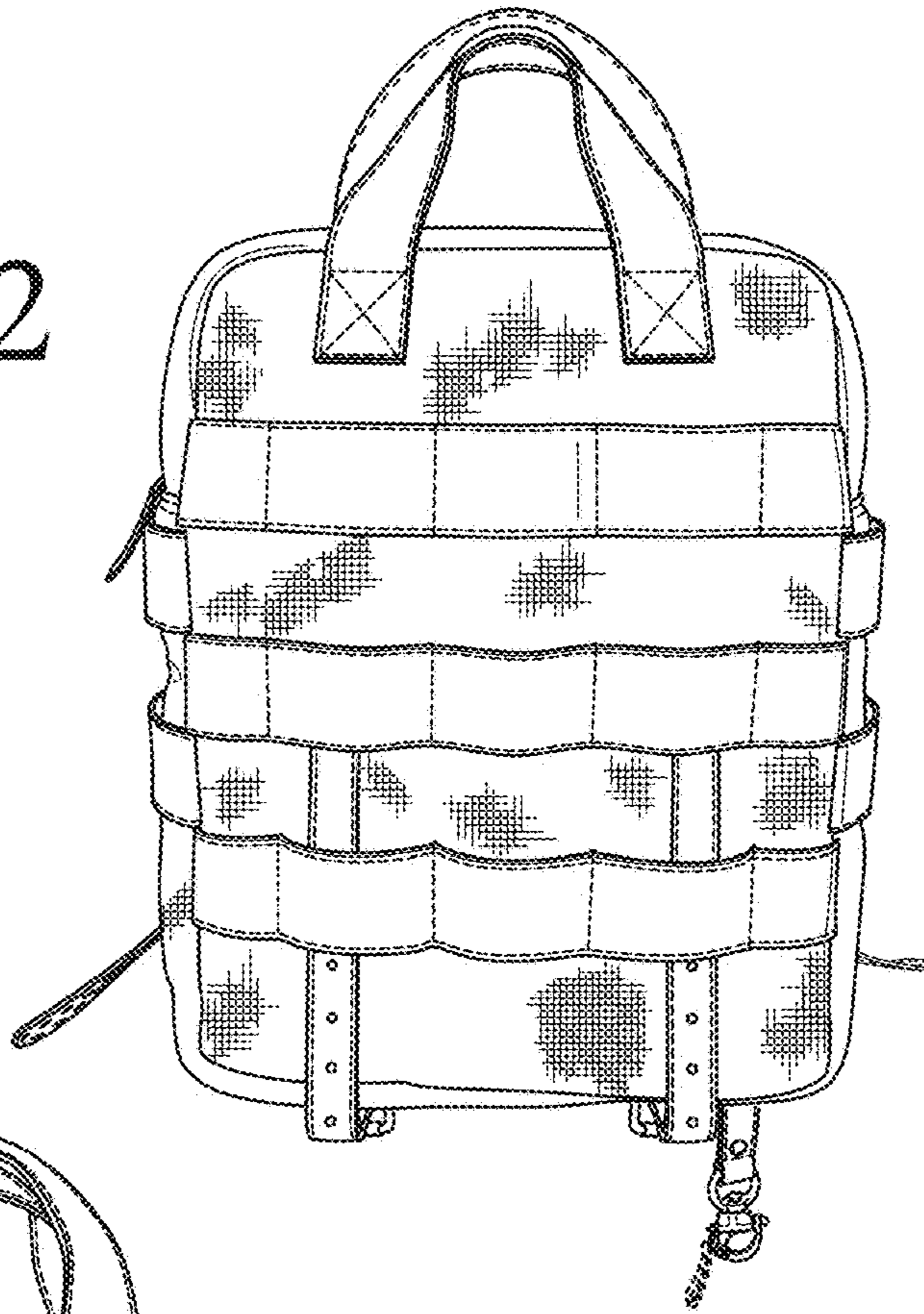


Fig. 3

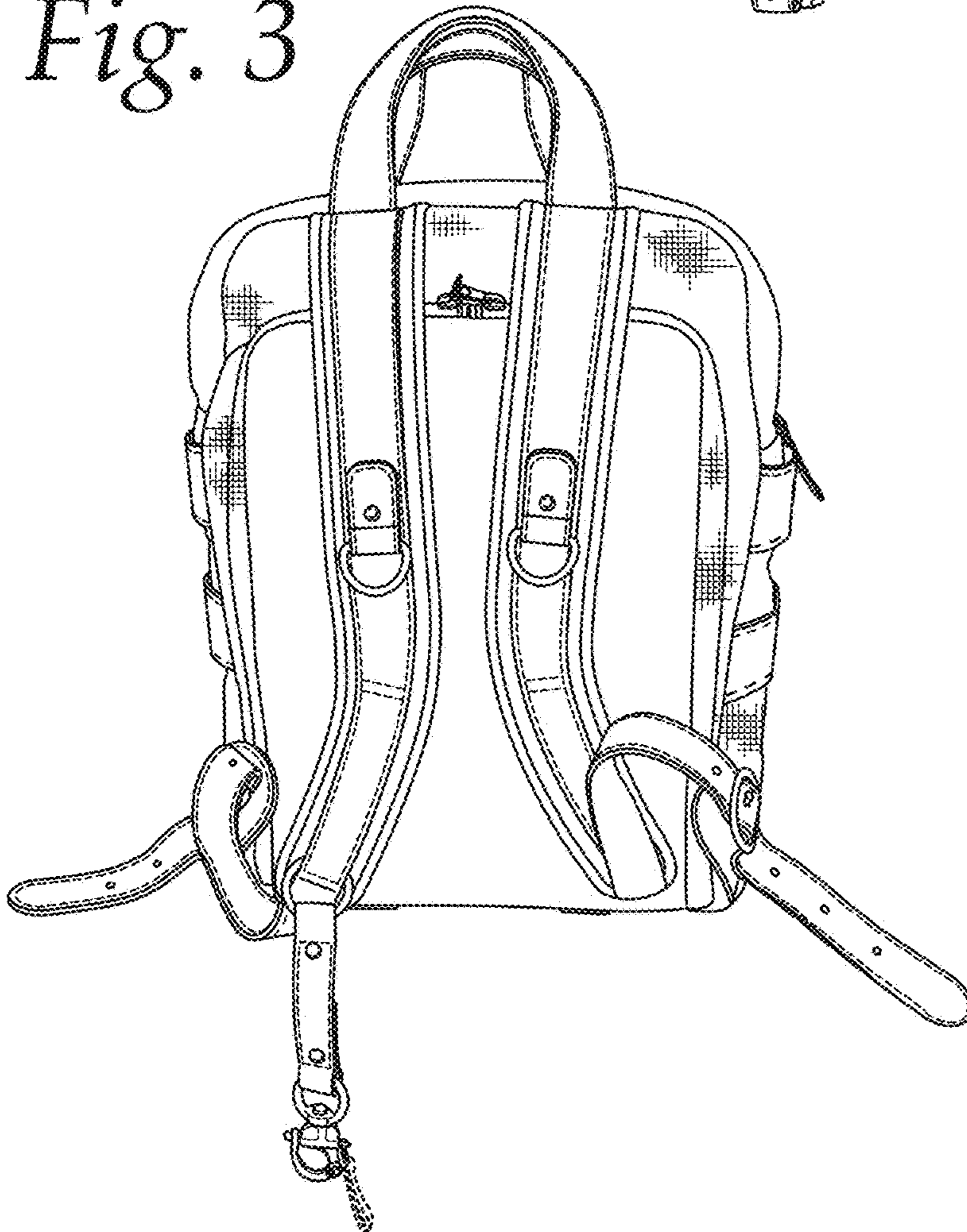


Fig. 4

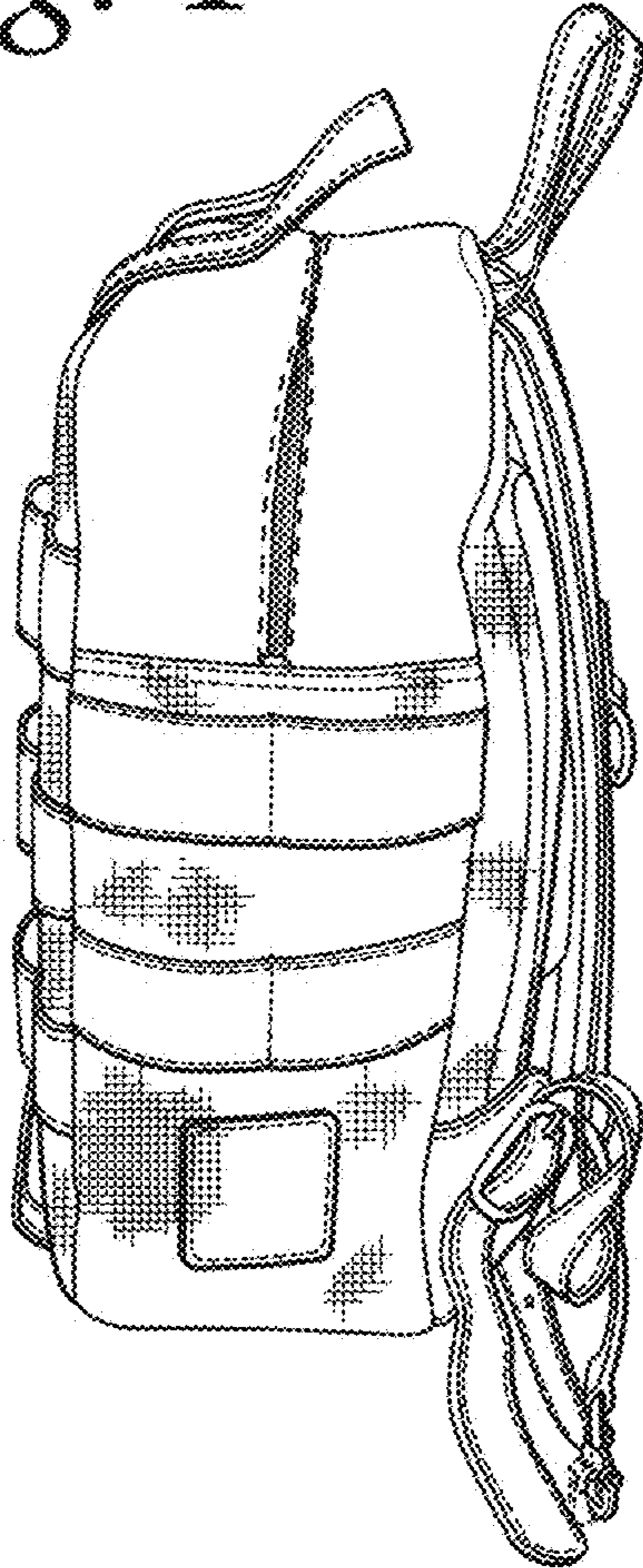


Fig. 5

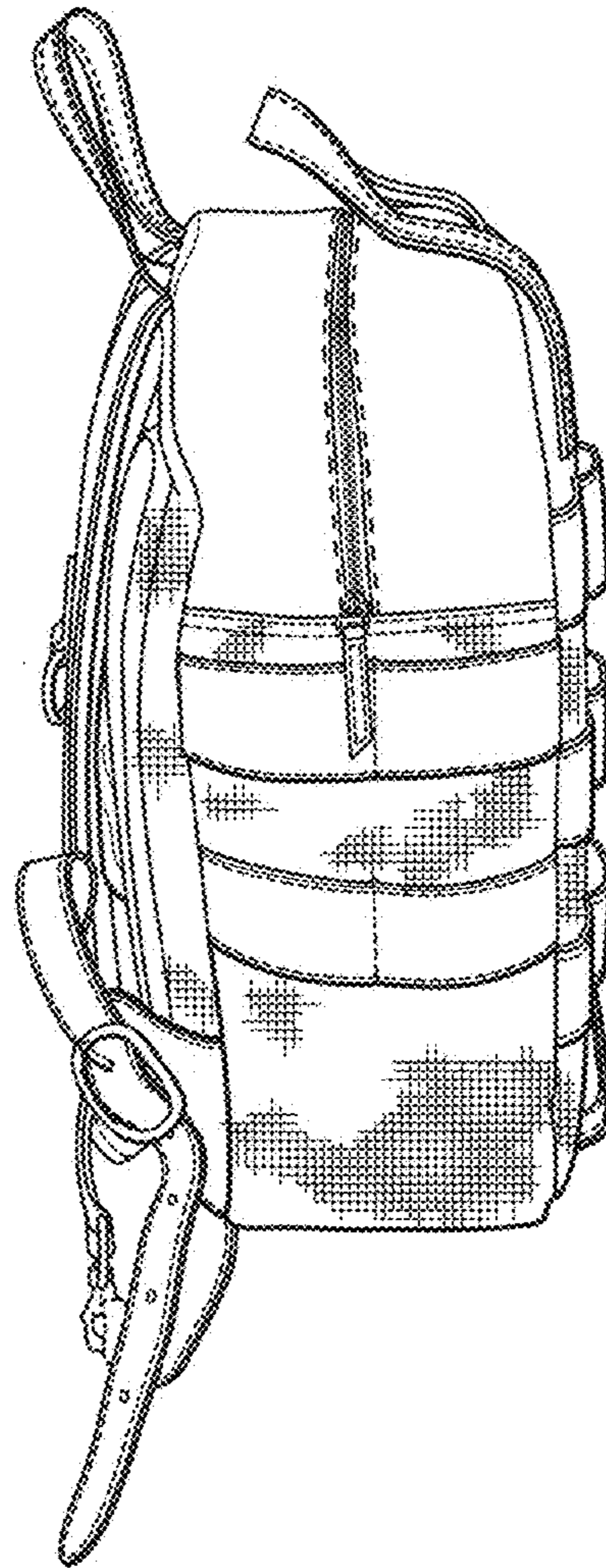


Fig. 6

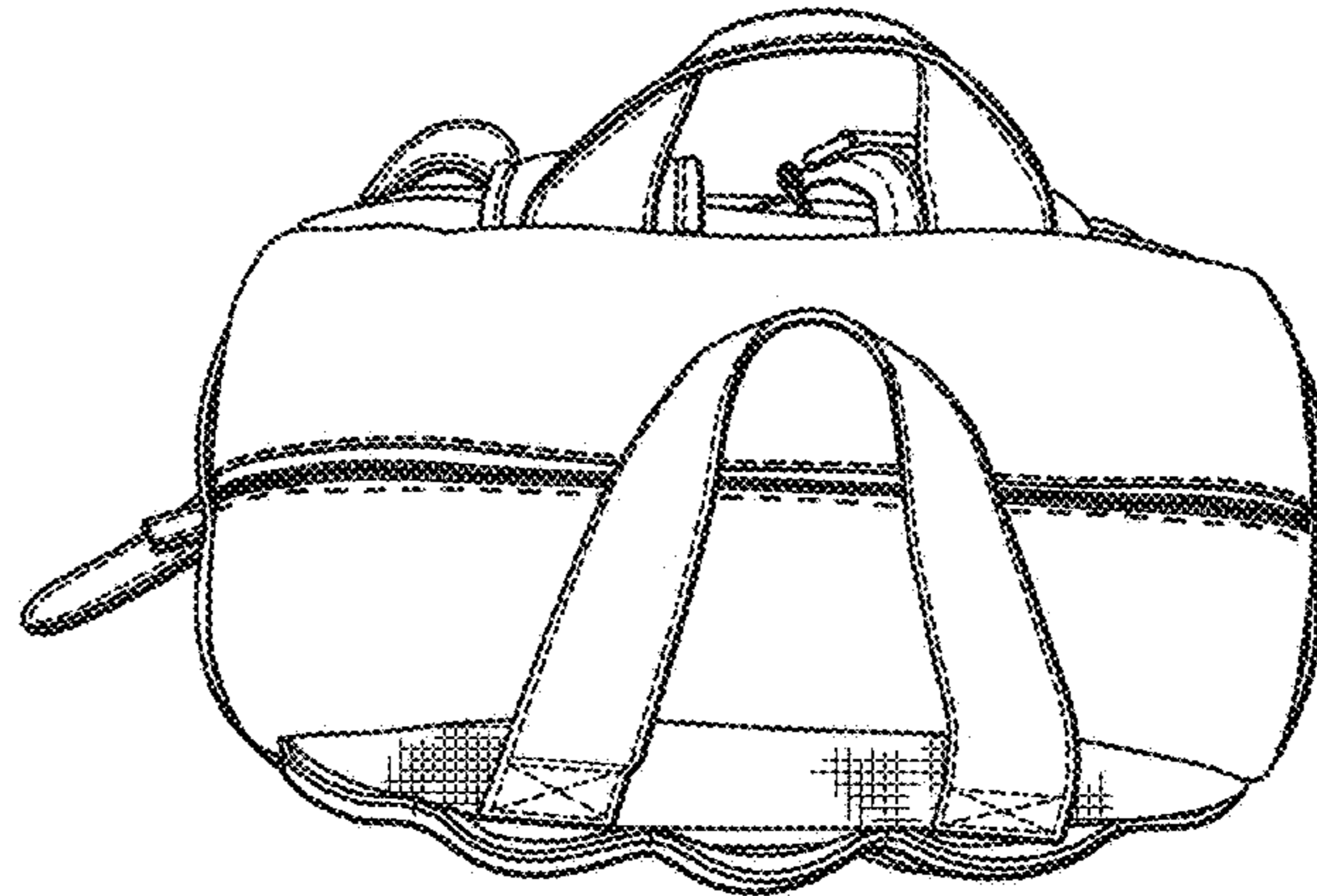


Fig. 7

