



US00D843106S

(12) **United States Design Patent** (10) **Patent No.:** **US D843,106 S**
Price et al. (45) **Date of Patent:** **** Mar. 19, 2019**

- (54) **INTERLOCKING FOOTBALL FLASK**
- (71) Applicant: **Footbottles, LLC**, Menlo Park, CA (US)
- (72) Inventors: **Travis Elliot Price**, Menlo Park, CA (US); **Joshua Lampert**, Atherton, CA (US)
- (73) Assignee: **FOOTBOTTLES, LLC**, Menlo Park, CA (US)
- (**) Term: **15 Years**
- (21) Appl. No.: **29/628,856**
- (22) Filed: **Dec. 7, 2017**
- (51) **LOC (11) Cl.** **03-01**
- (52) **U.S. Cl.**
USPC **D3/202**
- (58) **Field of Classification Search**
USPC D3/201, 202; D7/625, 619.1, 619.2, 509, D7/510; D9/560, 517, 523, 526, 529, D9/668, 715, 719, 436, 447
CPC B65D 1/02; B65D 1/0223; B65D 41/04; B65D 41/26; B65D 2501/00; B65D 2501/0081; A45F 3/16; A45F 2003/166
See application file for complete search history.

- D319,008 S * 8/1991 Leon D21/712
- D323,602 S * 2/1992 Katz D7/316
- D340,078 S * 10/1993 Turner D11/149
- D351,656 S * 10/1994 Collins D24/198
- 5,450,979 A * 9/1995 Servick B65D 81/365
206/217
- D369,544 S * 5/1996 Culliss D21/440
- D370,154 S * 5/1996 Gruneisen, III D7/301
- D374,678 S * 10/1996 Yang D16/132
- D391,155 S * 2/1998 Edson D7/515
- D392,512 S * 3/1998 Bennett D7/619.1
- D411,715 S * 6/1999 Hansen D7/606
- 6,041,918 A * 3/2000 Moore B65D 7/04
206/0.815
- D424,375 S * 5/2000 D'Arrigo D7/510
- D424,876 S * 5/2000 McPartland D7/510
- D425,757 S * 5/2000 Printz D7/510

(Continued)

Primary Examiner — John Windmuller
Assistant Examiner — Steven J Czyz
(74) *Attorney, Agent, or Firm* — Fenwick & West LLP

(57) **CLAIM**

The ornamental design for an interlocking football flask, as shown and described.

DESCRIPTION

FIG. 1 is a front view of an interlocking football flask; FIG. 2 is a rear view thereof; FIG. 3 is a left view thereof; FIG. 4 is a right view thereof; FIG. 5 is a top plan view thereof; FIG. 6 is a bottom plan view thereof; FIG. 7 is a top plan exploded view thereof; FIG. 8 is a front exploded view thereof; FIG. 9 is a cross-sectional view thereof taken along the lines 9-9 of FIG. 5; and, FIG. 10 is an exploded cross-sectional view thereof. The broken lines depict portions of the article that form no part of the claimed design.

1 Claim, 9 Drawing Sheets

(56) **References Cited**

U.S. PATENT DOCUMENTS

1,672,877 A * 6/1928 Bowman B65D 41/04
220/288

3,624,939 A * 12/1971 Gossard et al. A47G 1/12
206/0.84

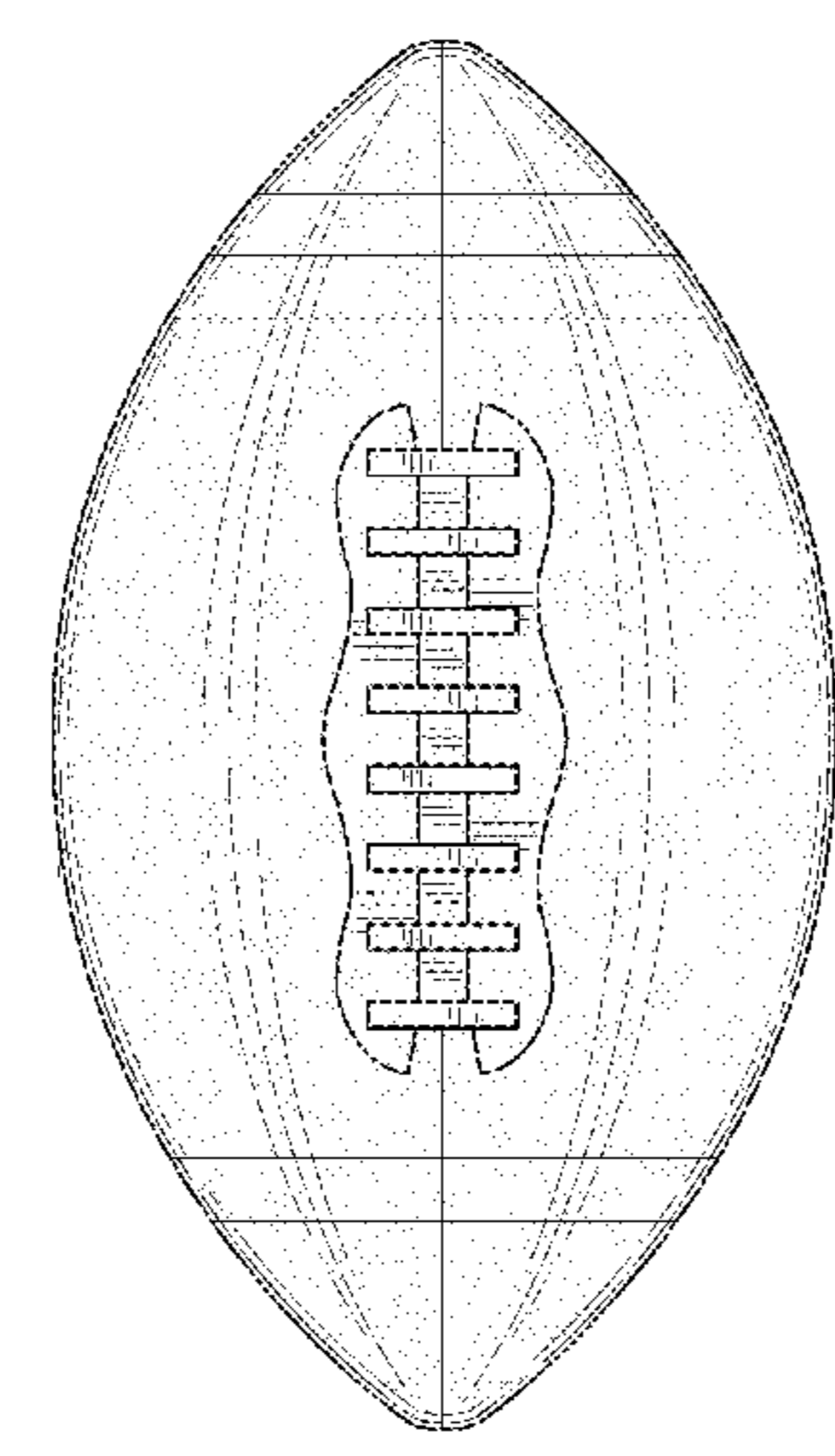
D228,328 S * 9/1973 Schley et al. D21/712

4,164,284 A * 8/1979 Witt B65D 81/3846
206/217

D266,436 S * 10/1982 Smith D10/2

D275,922 S * 10/1984 Weil D7/564

D298,105 S * 10/1988 Lamantia, Jr. D9/414



(56)

References Cited

U.S. PATENT DOCUMENTS

D460,693 S 7/2002 Flowers
 D477,132 S * 7/2003 Bond D3/202
 D511,212 S * 11/2005 Whalen D24/197
 D518,596 S * 4/2006 Angeletta D28/7
 D541,111 S * 4/2007 Morgan D7/606
 D575,079 S * 8/2008 Hirsh D6/665
 D580,775 S * 11/2008 Harris D9/668
 D587,968 S * 3/2009 Campbell D7/510
 D590,134 S * 4/2009 Rogondino D2/831
 D604,086 S * 11/2009 Lipinski D7/301
 D608,590 S * 1/2010 Geter D7/507
 D609,111 S * 2/2010 Bentley D9/519
 D611,777 S 3/2010 Yung
 D614,504 S * 4/2010 Coat D9/548
 D621,657 S * 8/2010 Quinn D7/507
 D623,905 S * 9/2010 Paslawski D7/606
 D624,368 S * 9/2010 Paslawski D7/606
 D627,233 S * 11/2010 Blakeman D9/668
 D629,306 S * 12/2010 Staton D9/414
 D633,342 S * 3/2011 Paslawski D7/606
 D666,919 S * 9/2012 Gelin D9/668
 D673,428 S * 1/2013 Lessells D7/606

D686,884 S * 7/2013 Carter D7/625
 D710,152 S * 8/2014 Marini D7/515
 D710,154 S * 8/2014 Marini D7/515
 D711,690 S * 8/2014 Sutton D7/625
 D716,104 S * 10/2014 Lessells D7/606
 D718,146 S * 11/2014 Tussy D9/668
 D724,902 S * 3/2015 Dickerson D7/625
 D735,050 S * 7/2015 Tussy D9/521
 D737,540 S * 8/2015 Borella D99/37
 9,408,779 B2 * 8/2016 Stewart A61J 9/0607
 D775,913 S * 1/2017 Knirr D8/38
 D789,748 S * 6/2017 Peters D7/564
 D790,282 S * 6/2017 Price D7/564
 D802,188 S * 11/2017 Chan D26/38
 D821,886 S * 7/2018 Paulin D9/668
 2006/0227537 A1 * 10/2006 Vanderschuit F21V 33/0028
 362/154
 2013/0087524 A1 * 4/2013 Nuckles A61J 9/005
 215/395
 2013/0299443 A1 * 11/2013 Stewart A61J 9/0607
 215/11.6
 2017/0320611 A1 * 11/2017 Shen A45F 3/20
 2018/0186562 A1 * 7/2018 Nisbet B65D 85/8043
 2018/0194537 A1 * 7/2018 Chan B65D 81/3881

* cited by examiner

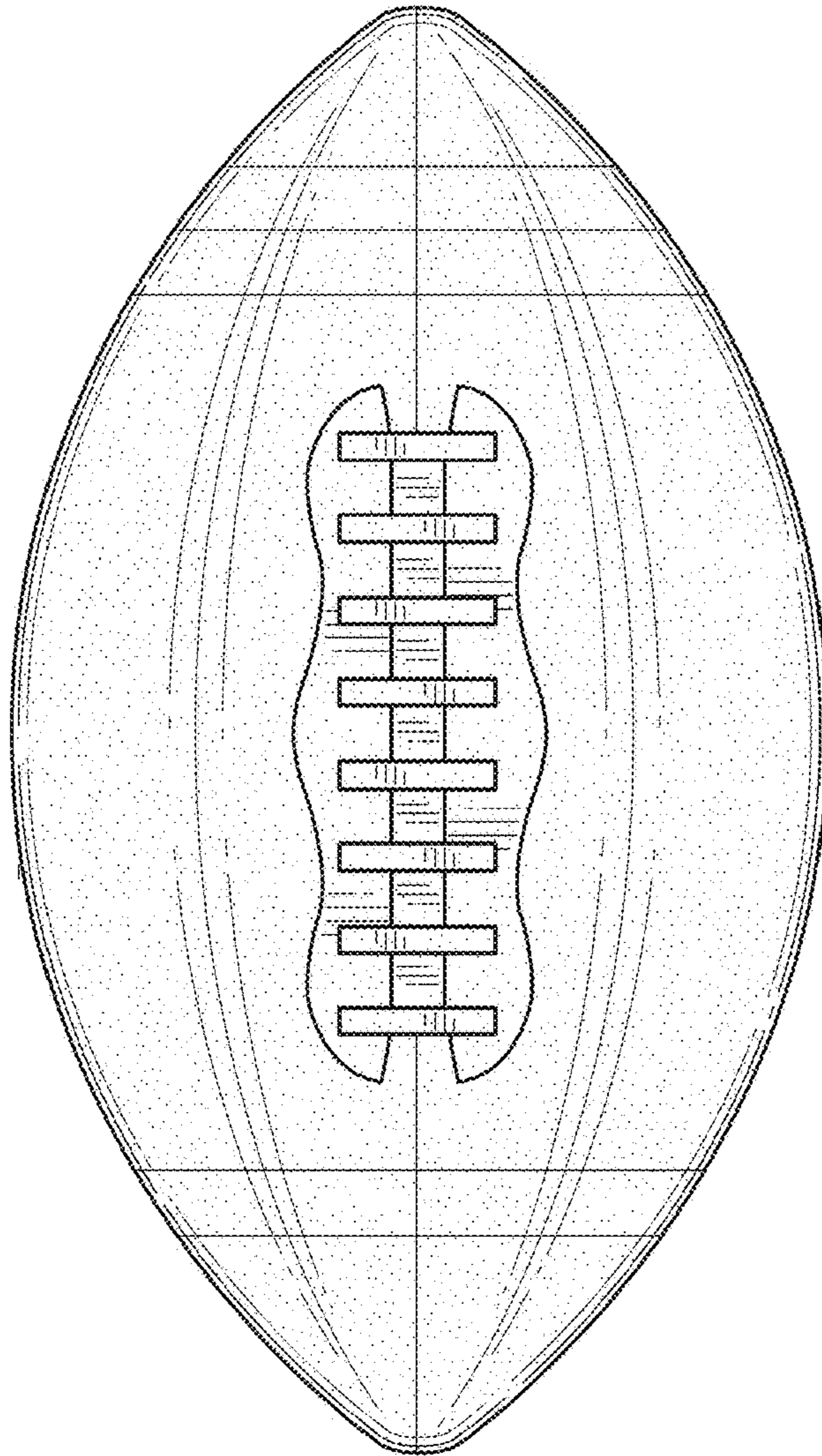


FIG. 1

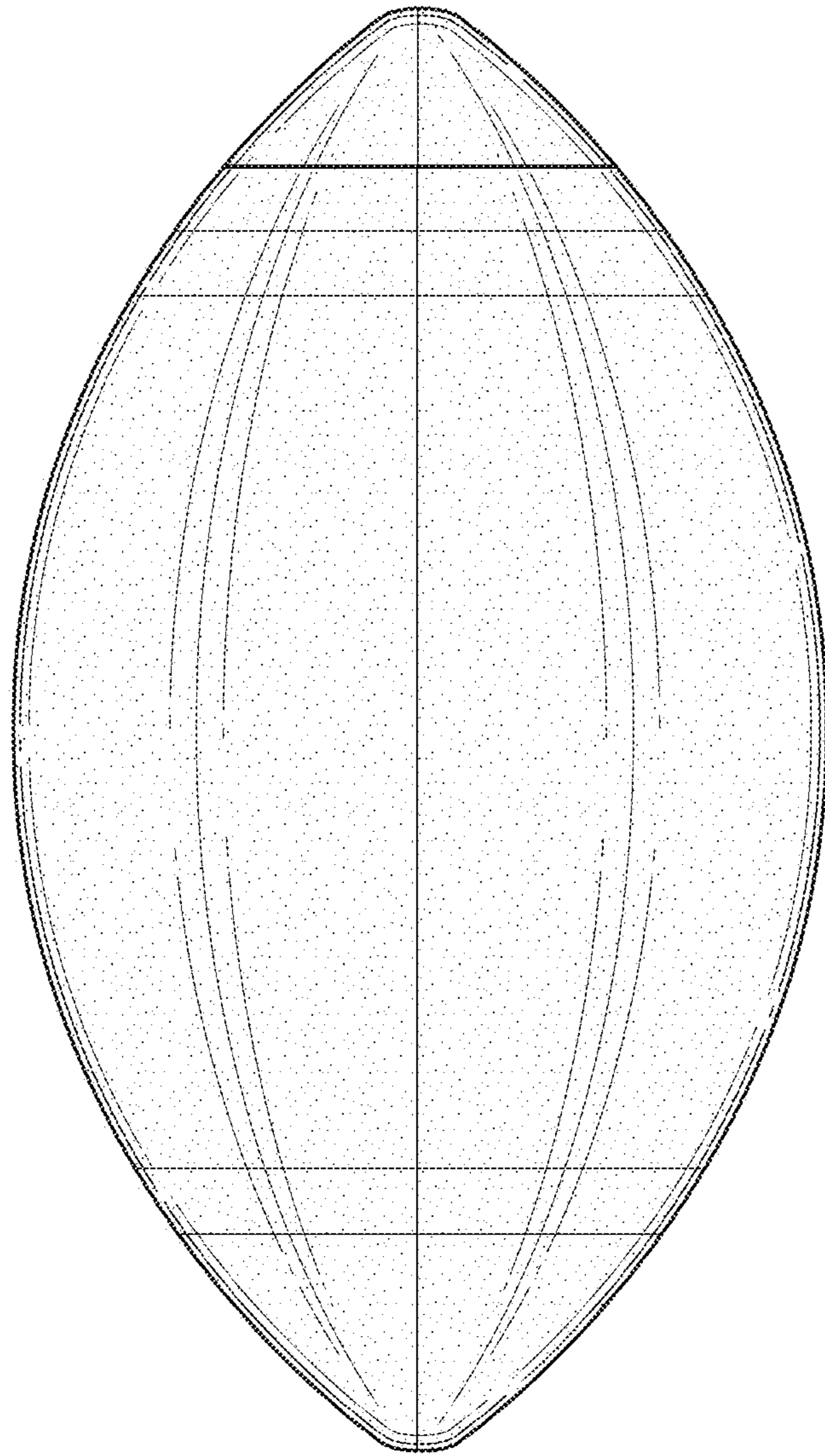


FIG. 2

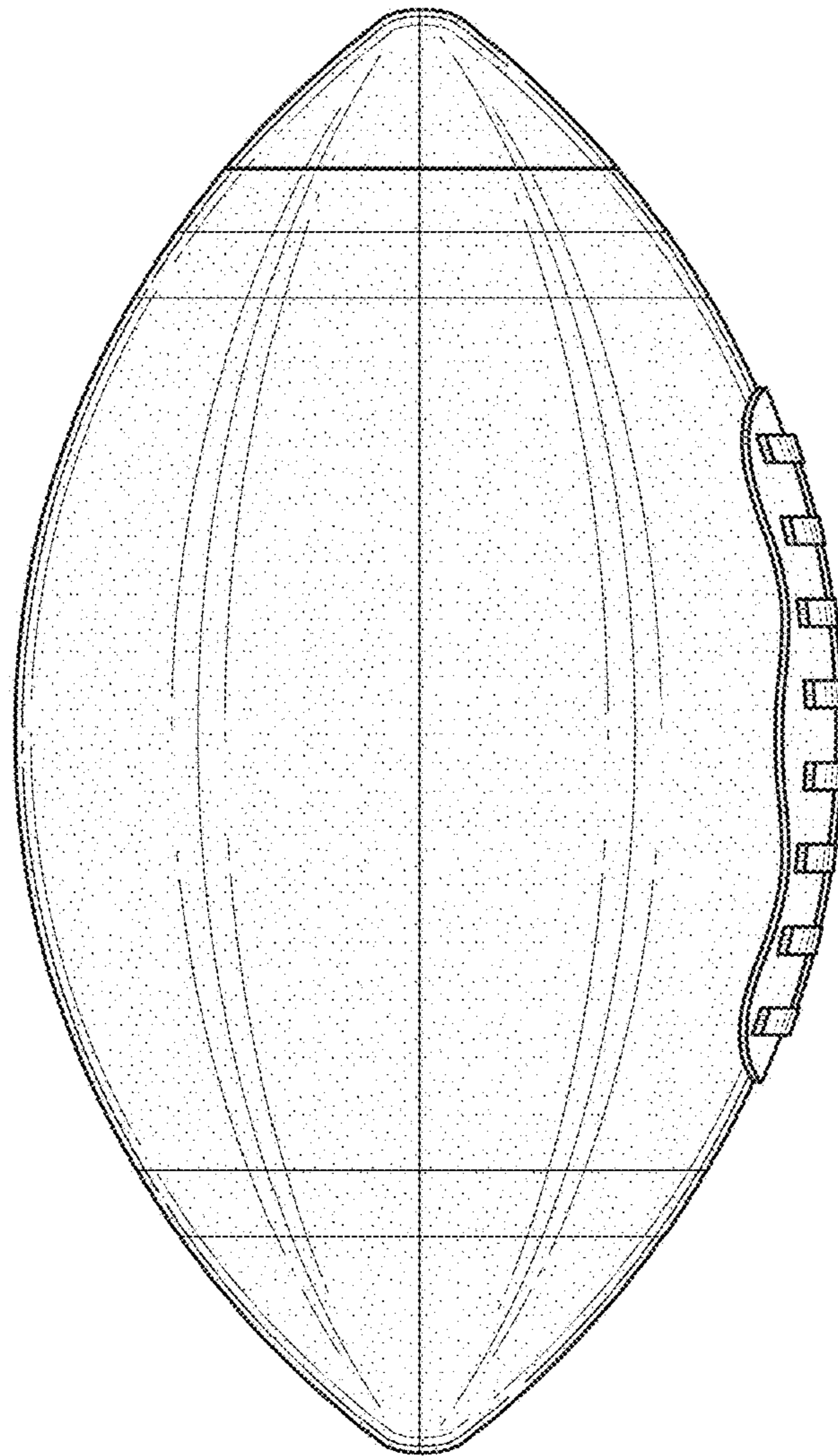


FIG. 3

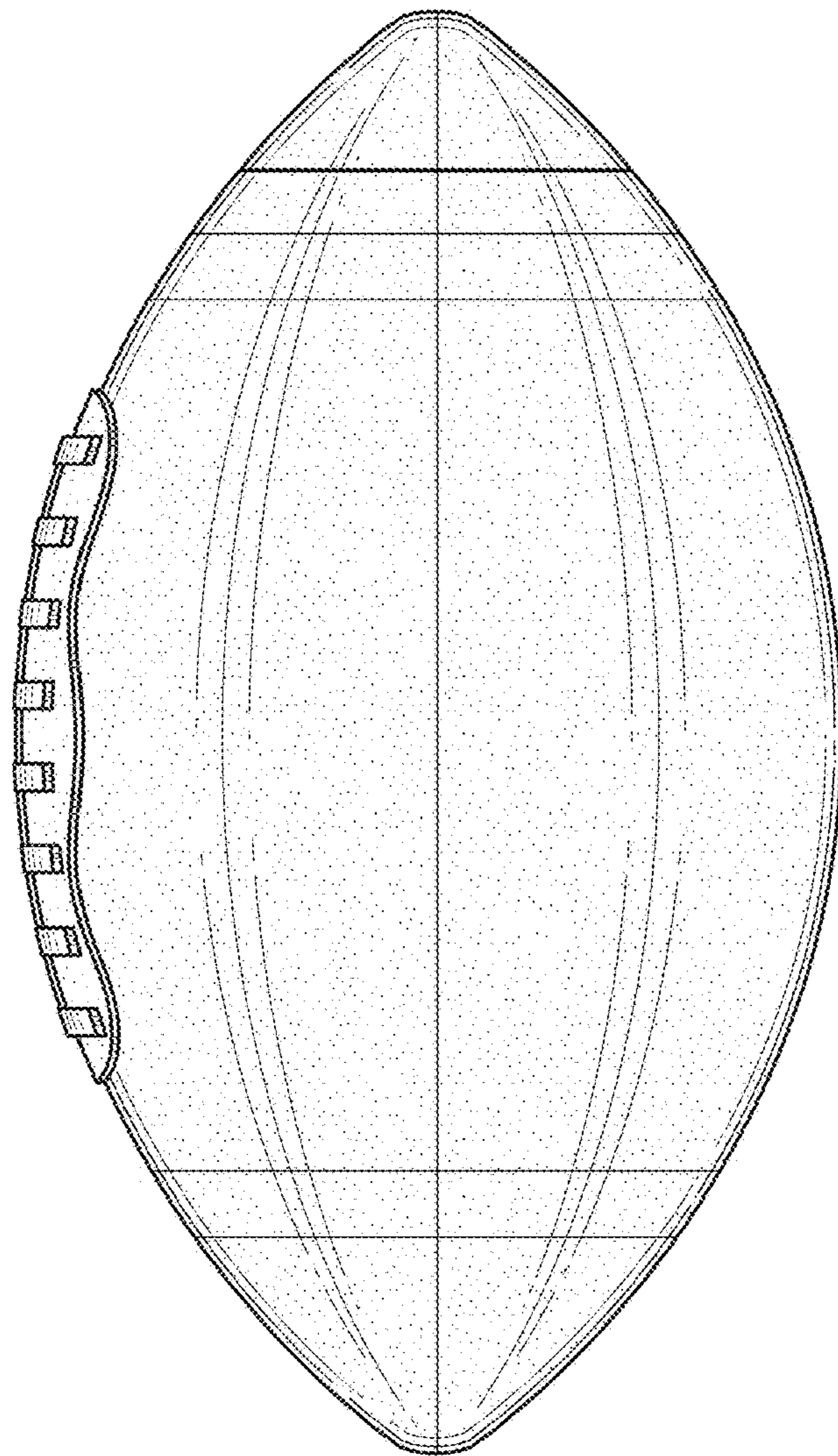


FIG. 4

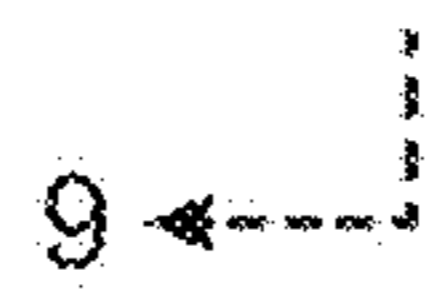
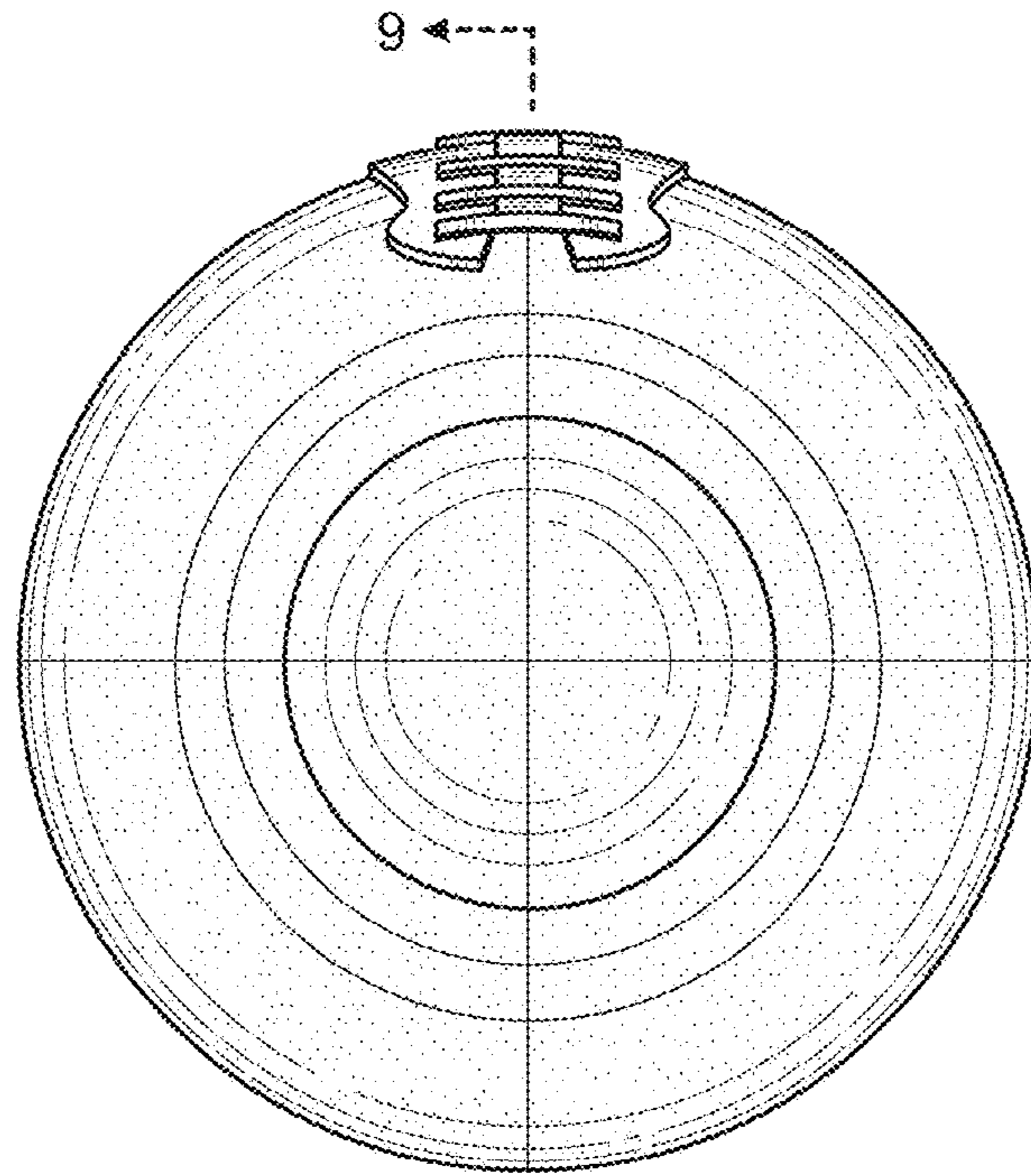


FIG. 5

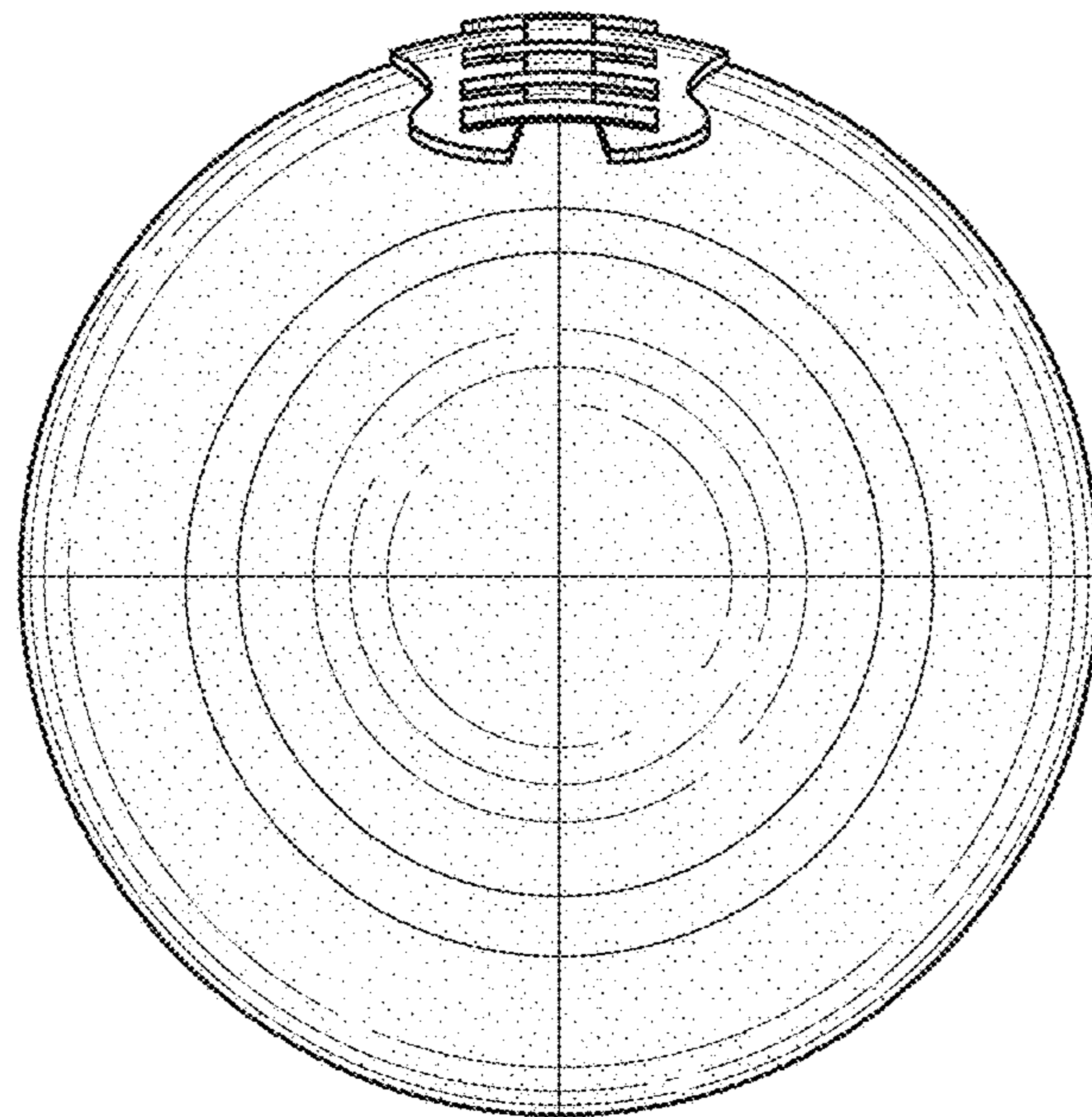


FIG. 6

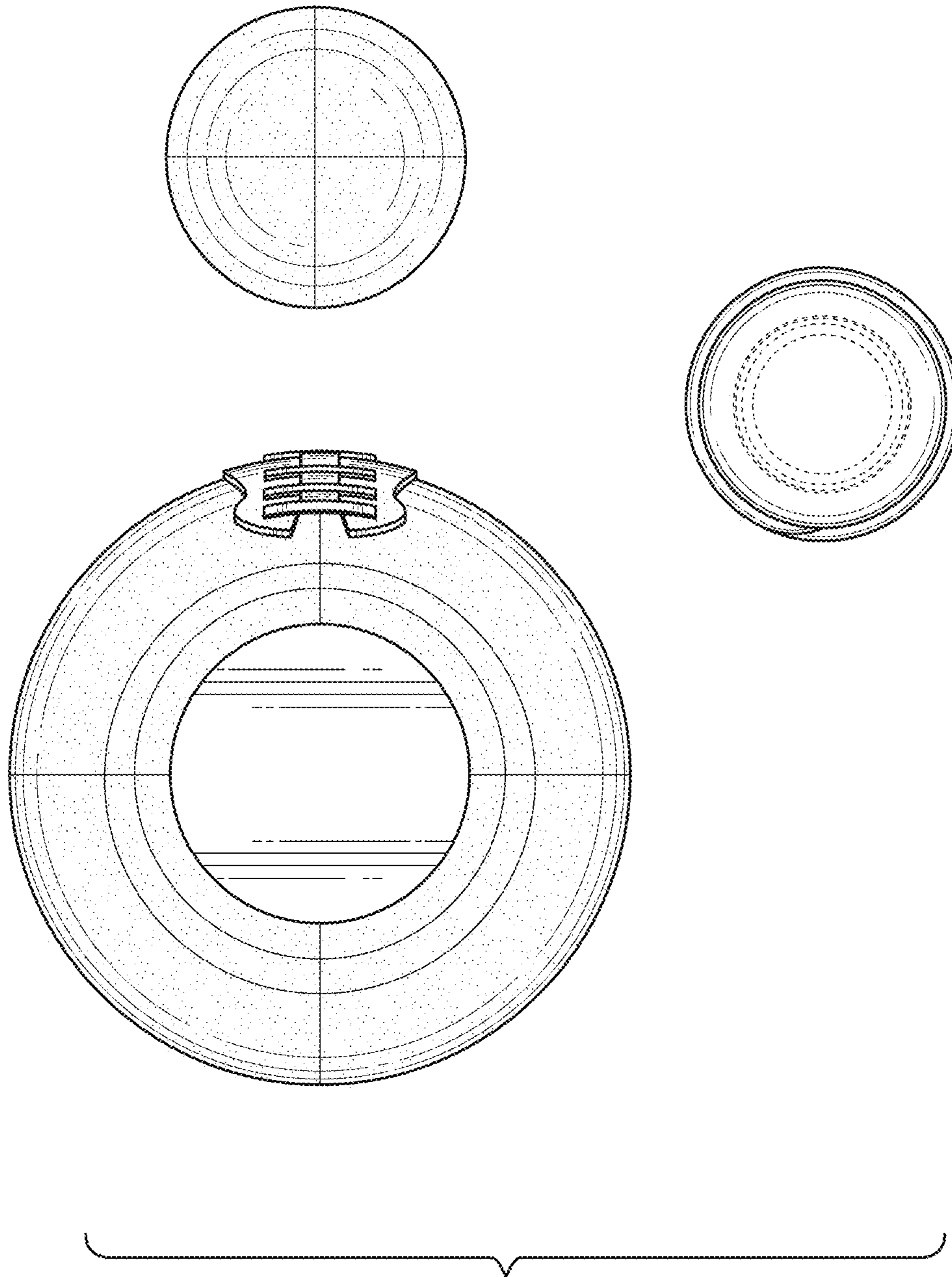


FIG. 7

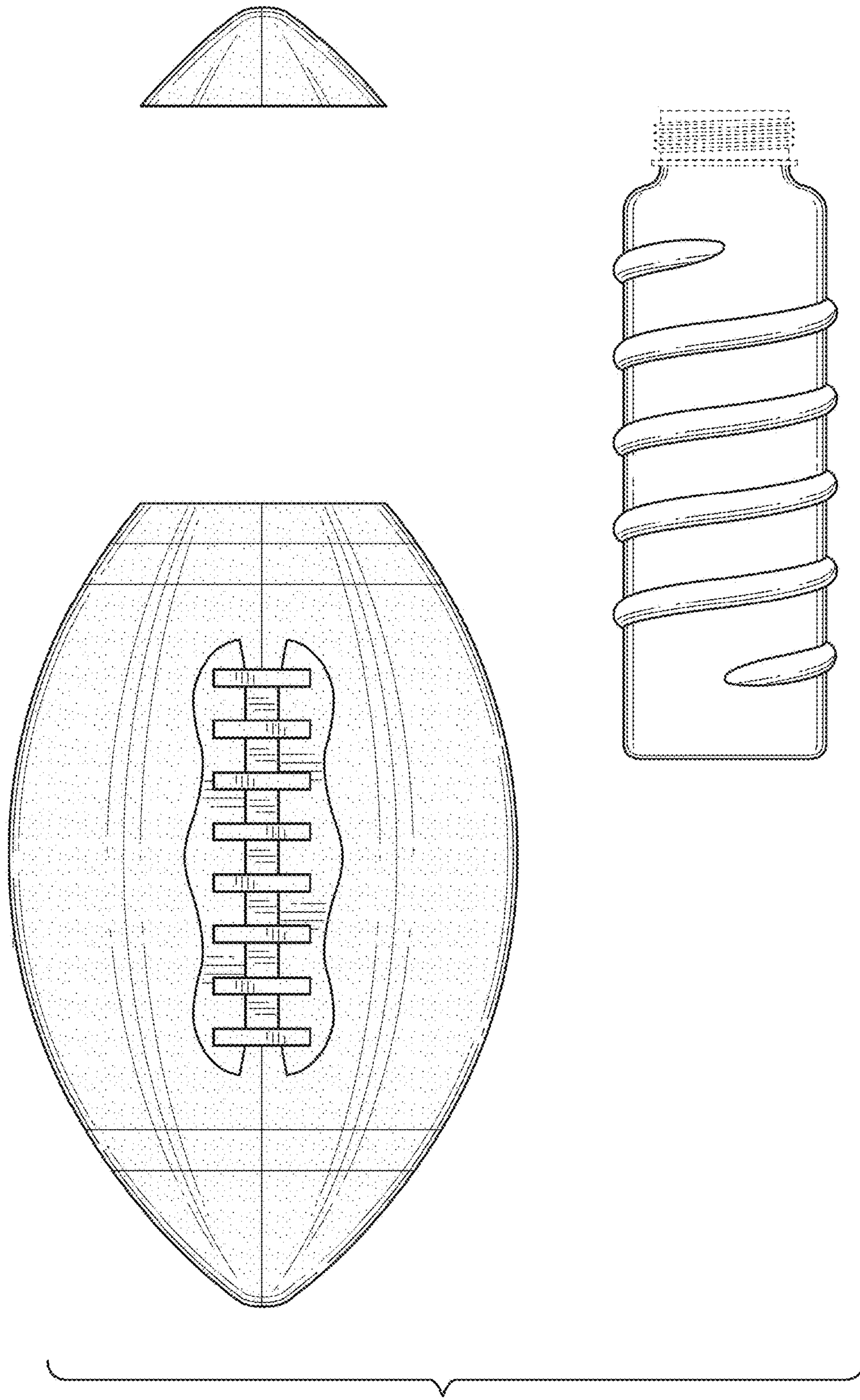


FIG. 8

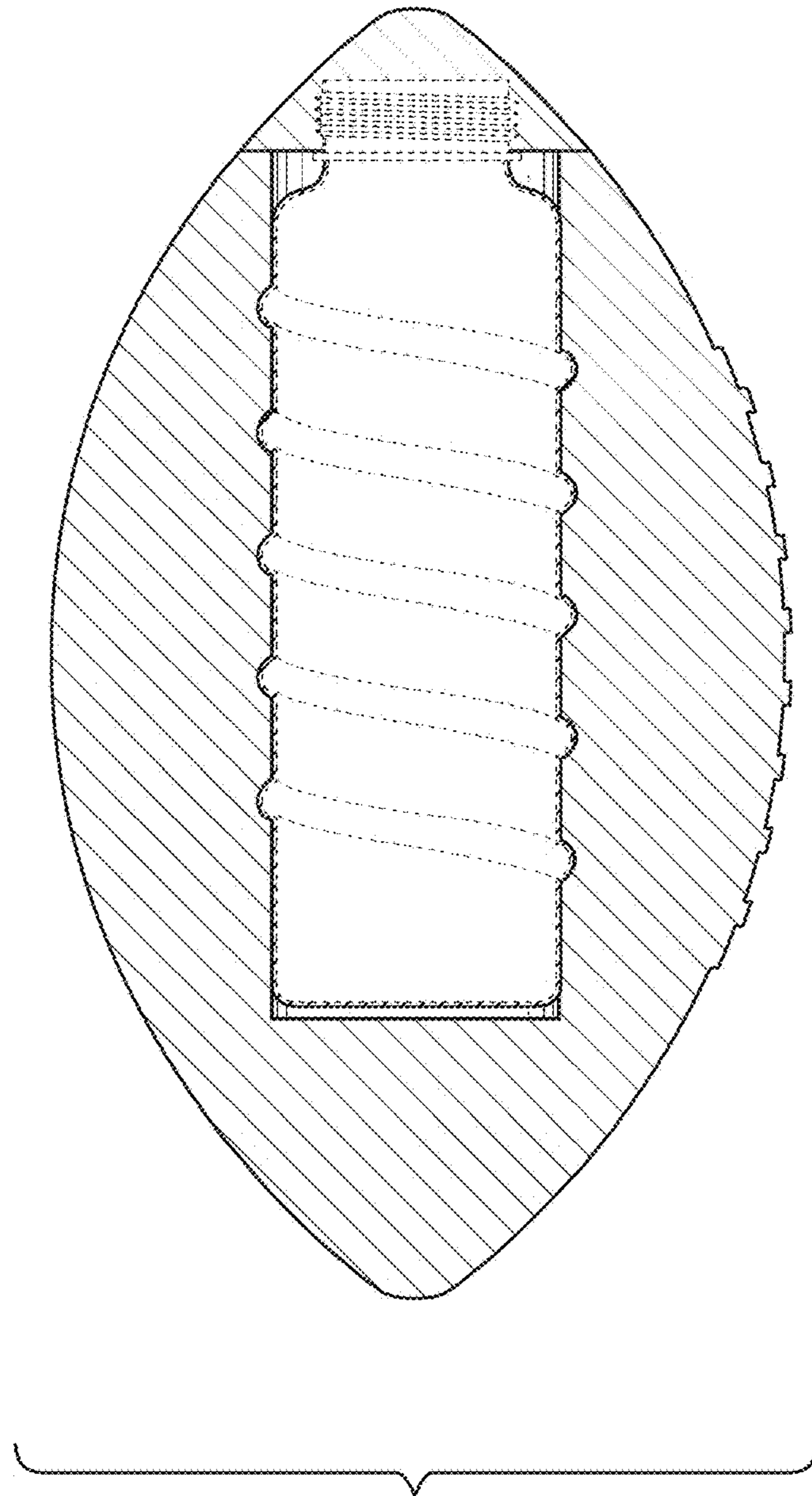


FIG. 9

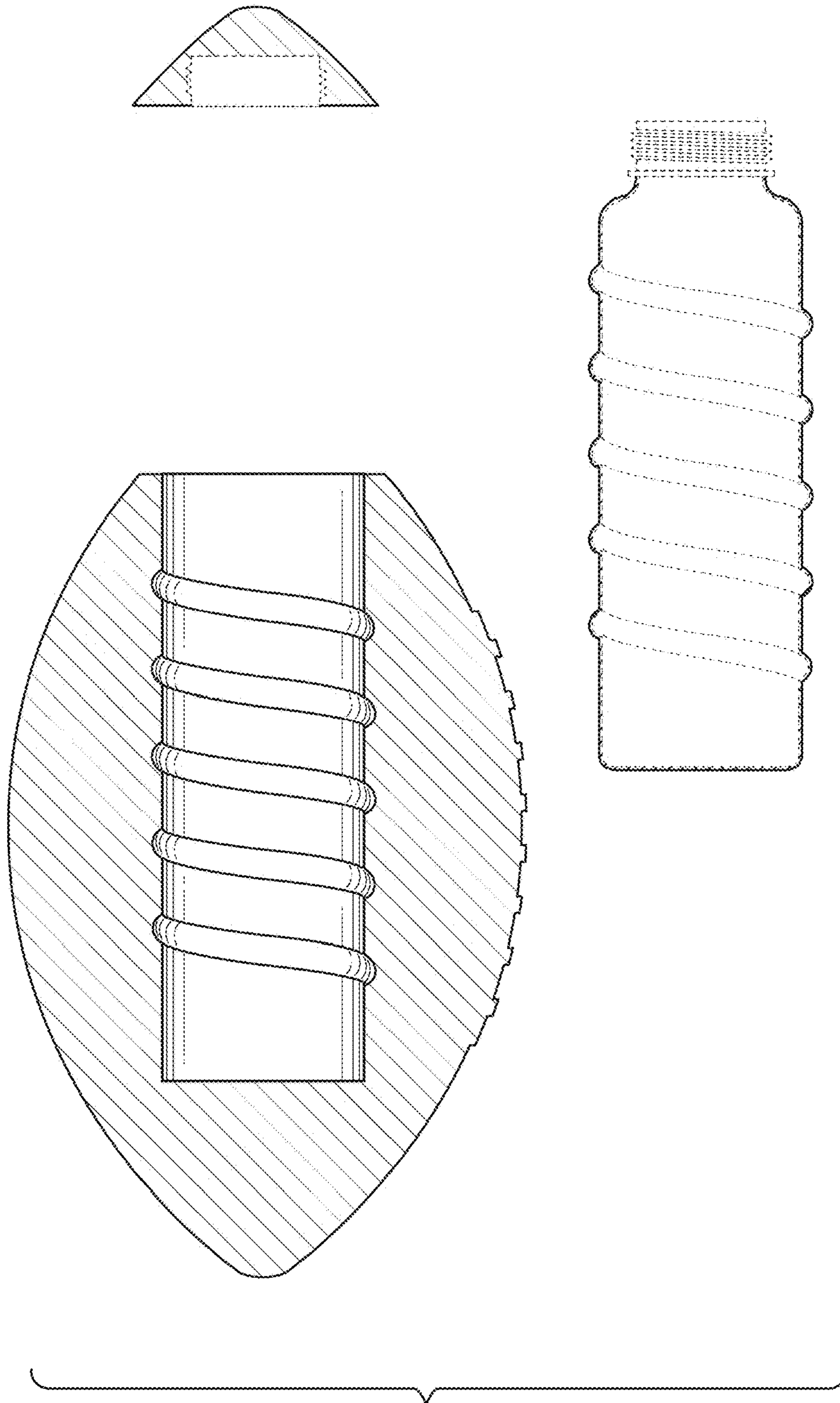


FIG. 10