



US00D843105S

(12) **United States Design Patent** (10) **Patent No.:** **US D843,105 S**
Ben Gal (45) **Date of Patent:** **** Mar. 19, 2019**

(54) **BAG**
(71) Applicant: **Maytal Ben Gal**, Tel Aviv (IL)
(72) Inventor: **Maytal Ben Gal**, Tel Aviv (IL)
(**) Term: **15 Years**
(21) Appl. No.: **29/540,032**
(22) Filed: **Sep. 21, 2015**

D602,254 S * 10/2009 Cutler D3/303
D608,089 S * 1/2010 McCoy D3/232
D608,090 S * 1/2010 Lown D3/232
D646,890 S * 10/2011 Barfield D3/232
D653,849 S * 2/2012 Jariwala D3/232
D662,707 S * 7/2012 Schiffman D3/232
D676,230 S * 2/2013 Volk D3/17
D702,435 S * 4/2014 Kriemler D3/232
D710,613 S * 8/2014 Kolano D3/309
D740,022 S * 10/2015 Chadwell D3/232
D762,378 S * 8/2016 Domotor D3/232
D783,414 S * 4/2017 Ross D9/705
D784,687 S * 4/2017 Miller D3/232

(30) **Foreign Application Priority Data**

Mar. 26, 2015 (IL) 56780

(51) **LOC (11) Cl.** **03-01**

(52) **U.S. Cl.**
USPC **D3/201**

(58) **Field of Classification Search**
USPC D3/201, 205, 242, 273, 274, 275, 276,
D3/279, 281, 282, 283, 284, 289, 292,
D3/294, 295, 296, 297, 299, 301, 302,
D3/901, 903, 905; D9/414
CPC A45C 5/04; A45C 11/00; A45C 11/16
See application file for complete search history.

(56) **References Cited**

U.S. PATENT DOCUMENTS

D328,523 S * 8/1992 Hood D3/303
D328,525 S * 8/1992 Hood D3/303
D341,486 S * 11/1993 Frank D3/303
D374,348 S * 10/1996 Sarver D3/232
D462,515 S * 9/2002 Kagoshima D3/238
D474,602 S * 5/2003 Kranz D3/232
D537,632 S * 3/2007 Quansah D3/303
D591,041 S * 4/2009 Dickinson D3/232

* cited by examiner

Primary Examiner — Manpreet S Matharu

Assistant Examiner — Holly E Thurman

(74) *Attorney, Agent, or Firm* — The Roy Gross Law Firm, LLC; Roy Gross

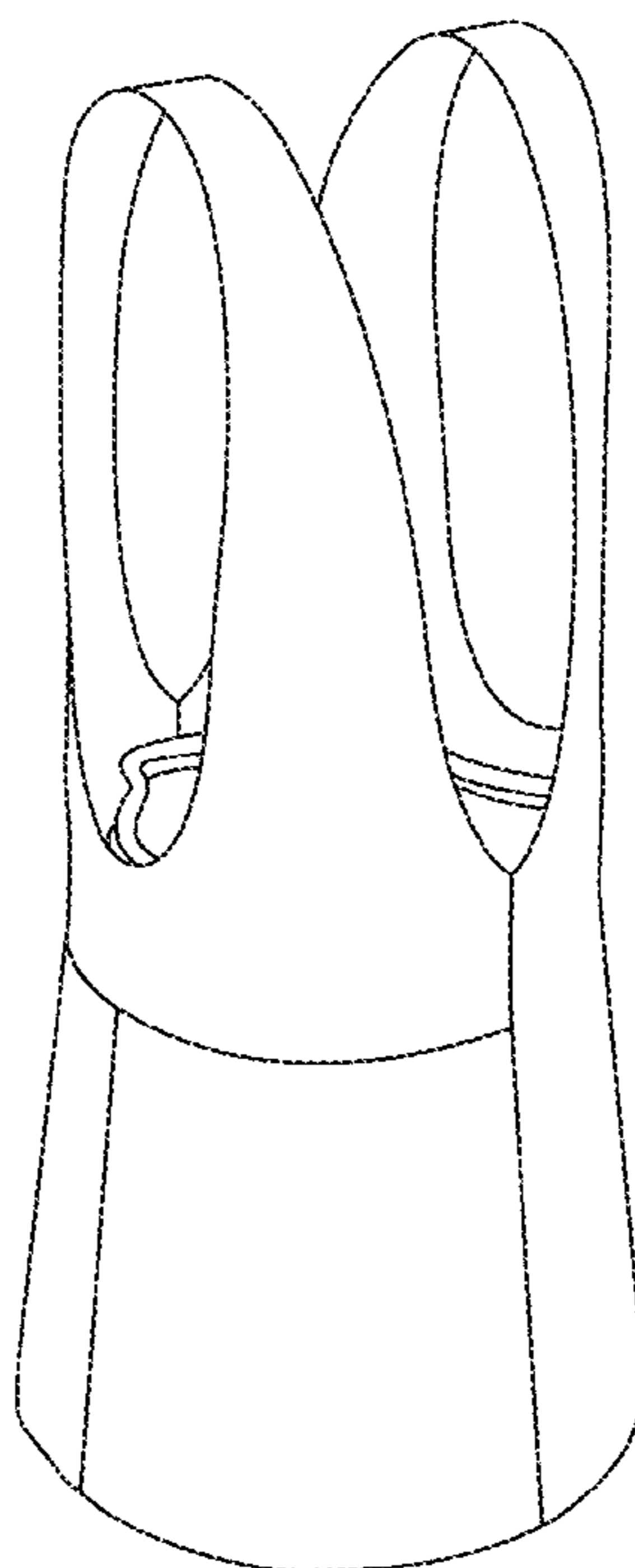
(57) **CLAIM**

The ornamental design for a bag, as shown.

DESCRIPTION

FIG. 1 is a front closed view of a bag showing my new design;
FIG. 2 is a back closed view thereof;
FIG. 3 is a right closed view thereof;
FIG. 4 is a left closed view thereof;
FIG. 5 is a top closed view thereof;
FIG. 6 is a bottom closed view thereof;
FIG. 7 is a perspective view in a closed position thereof; and,
FIG. 8 is another perspective view in a closed position thereof.

1 Claim, 8 Drawing Sheets



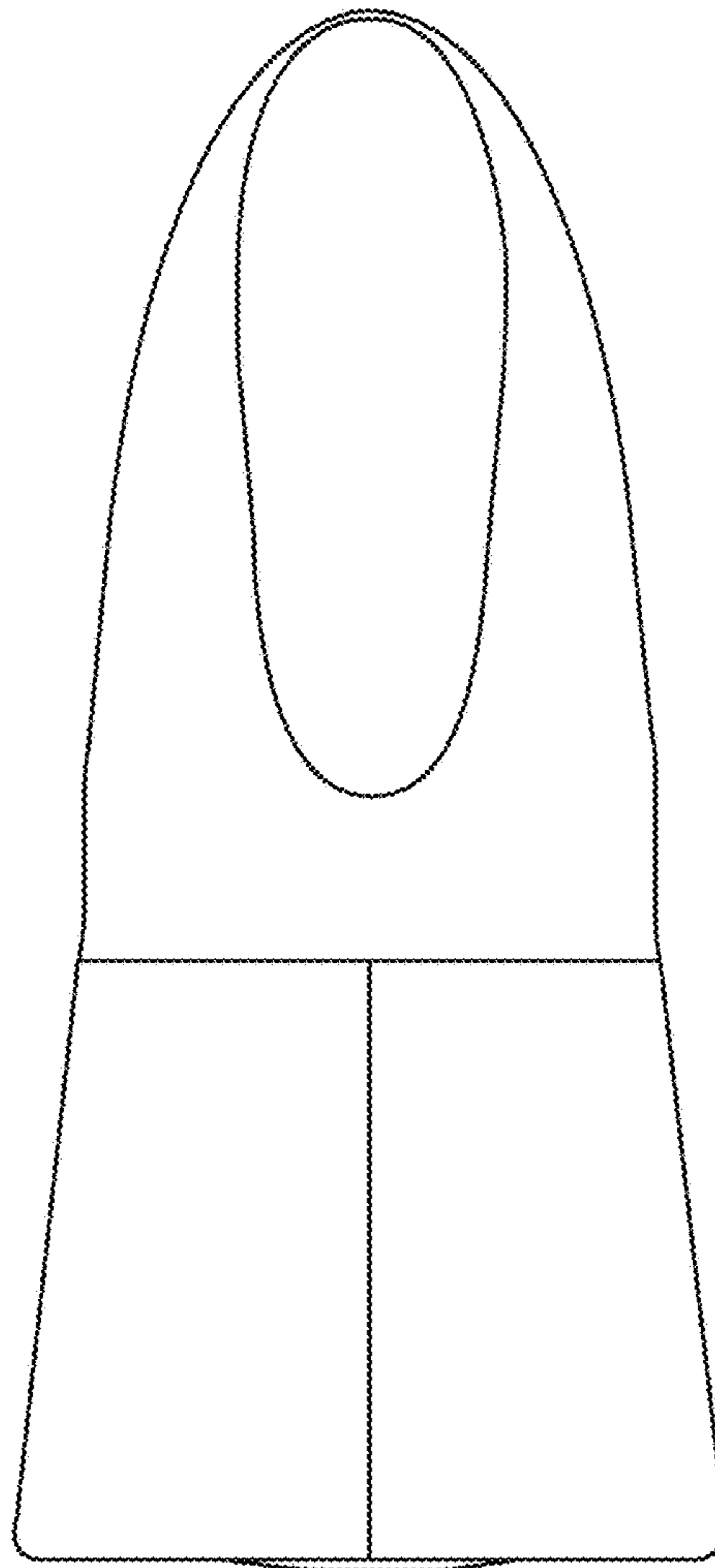


FIG. 1

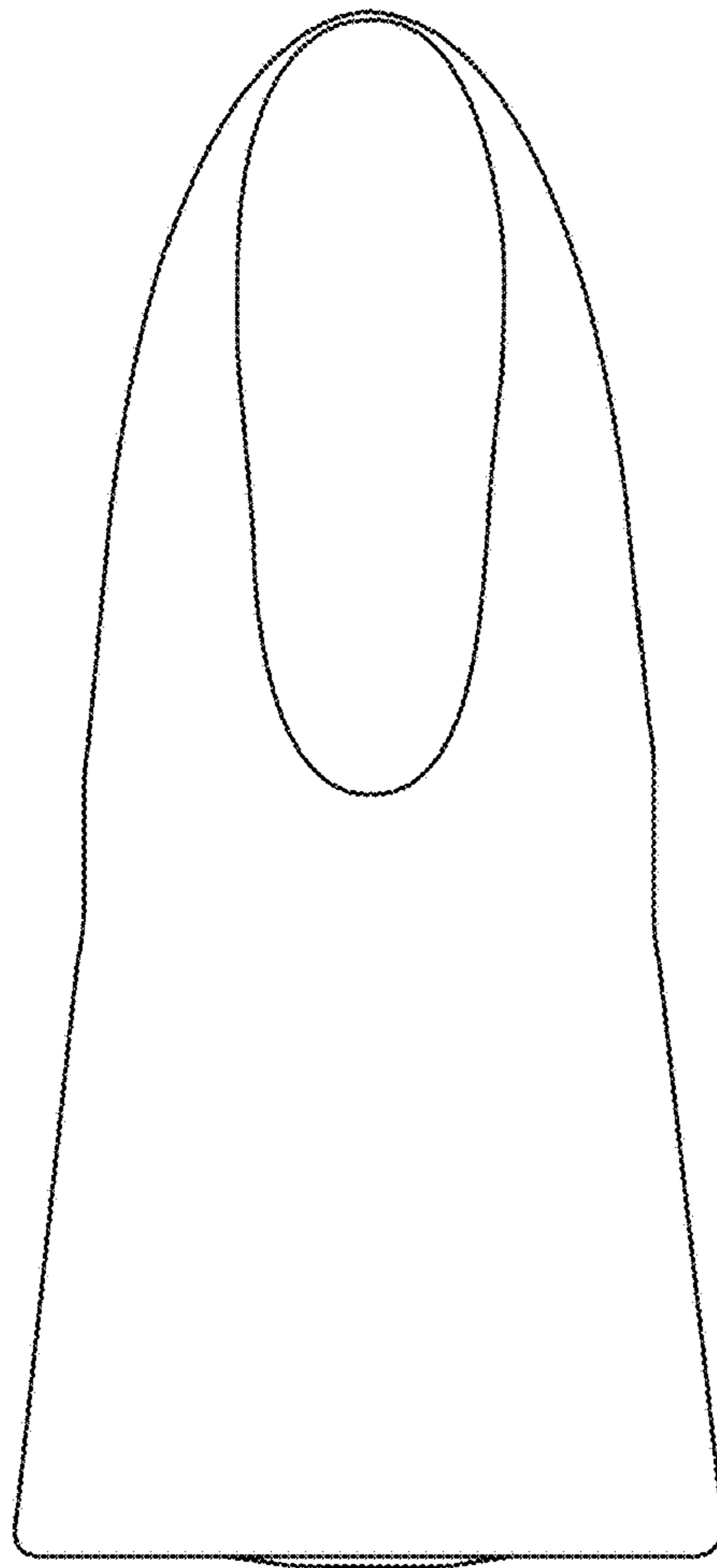


FIG. 2

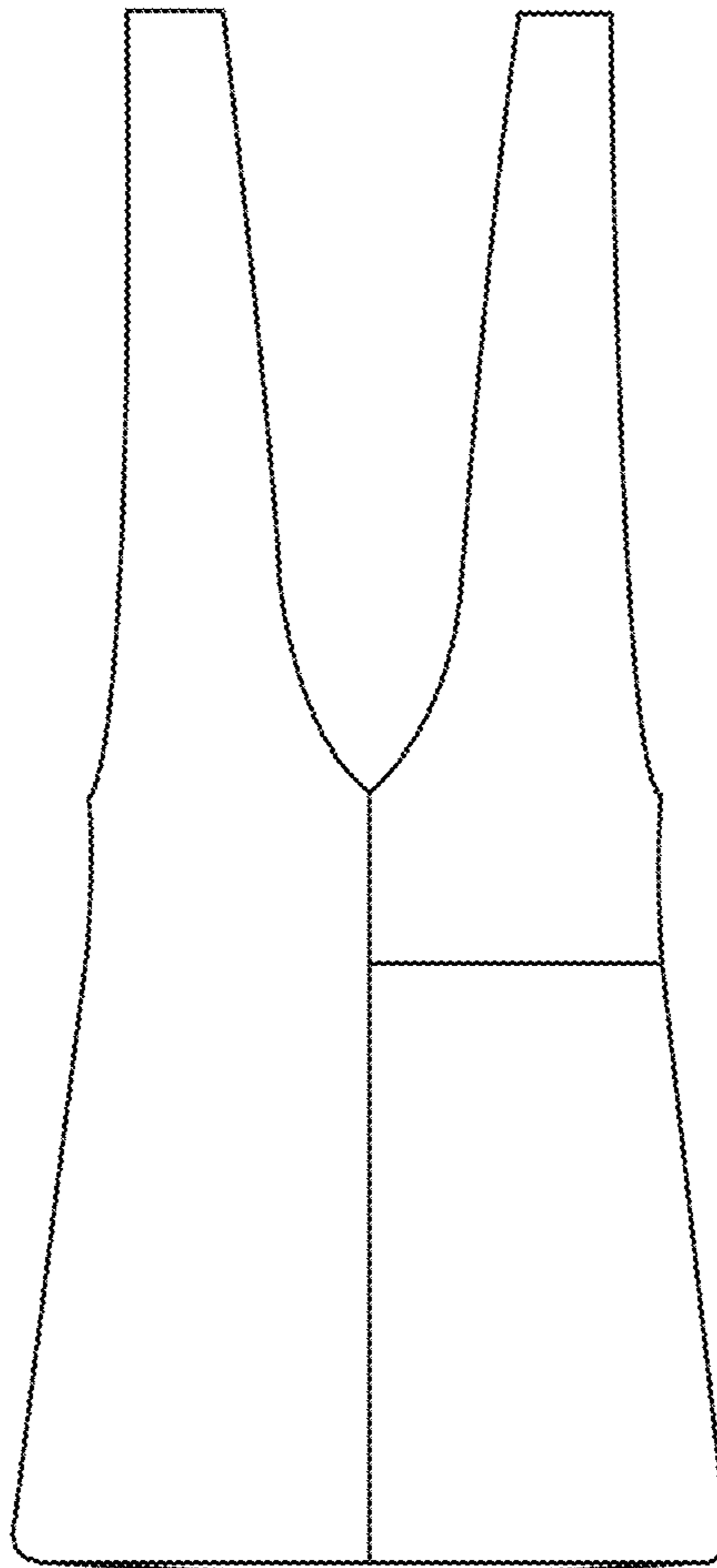


FIG. 3

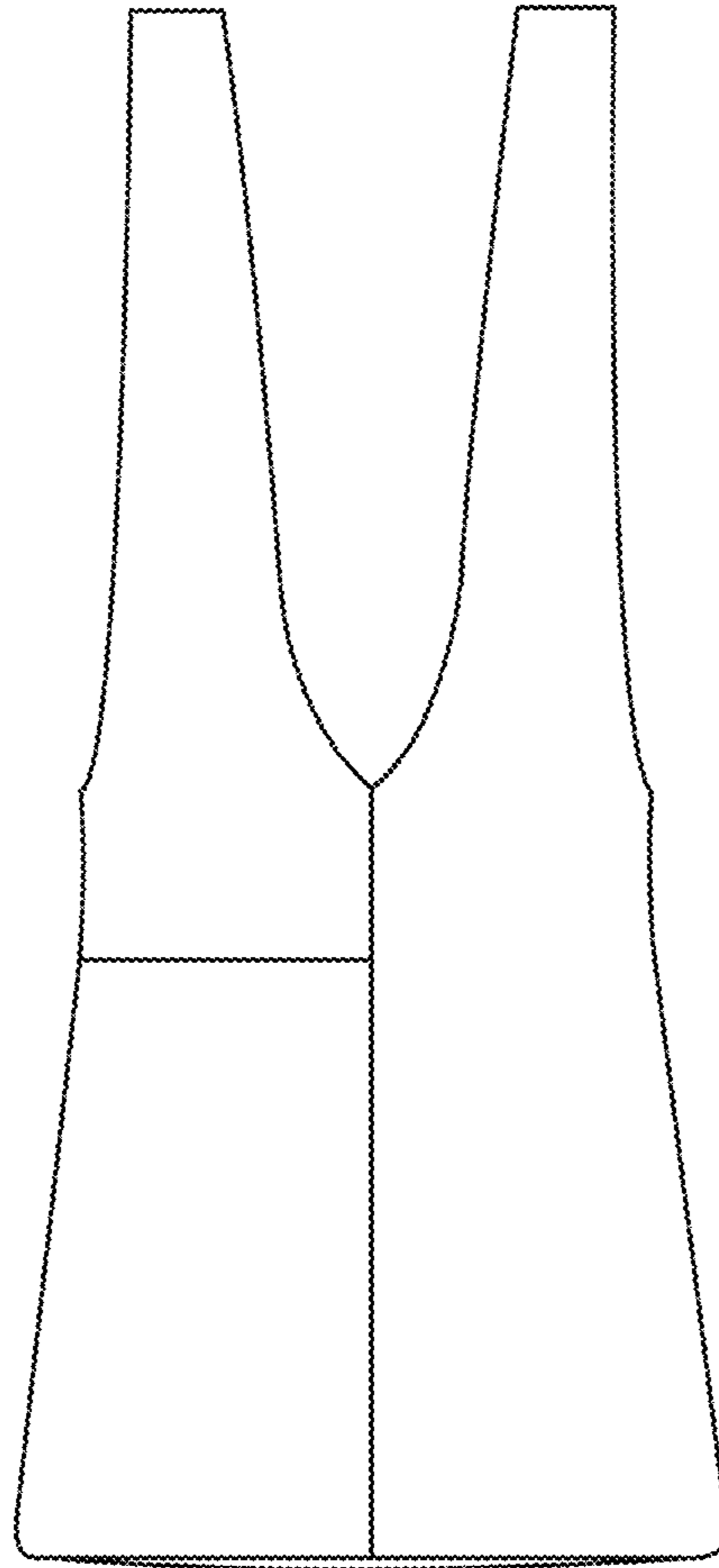


FIG. 4

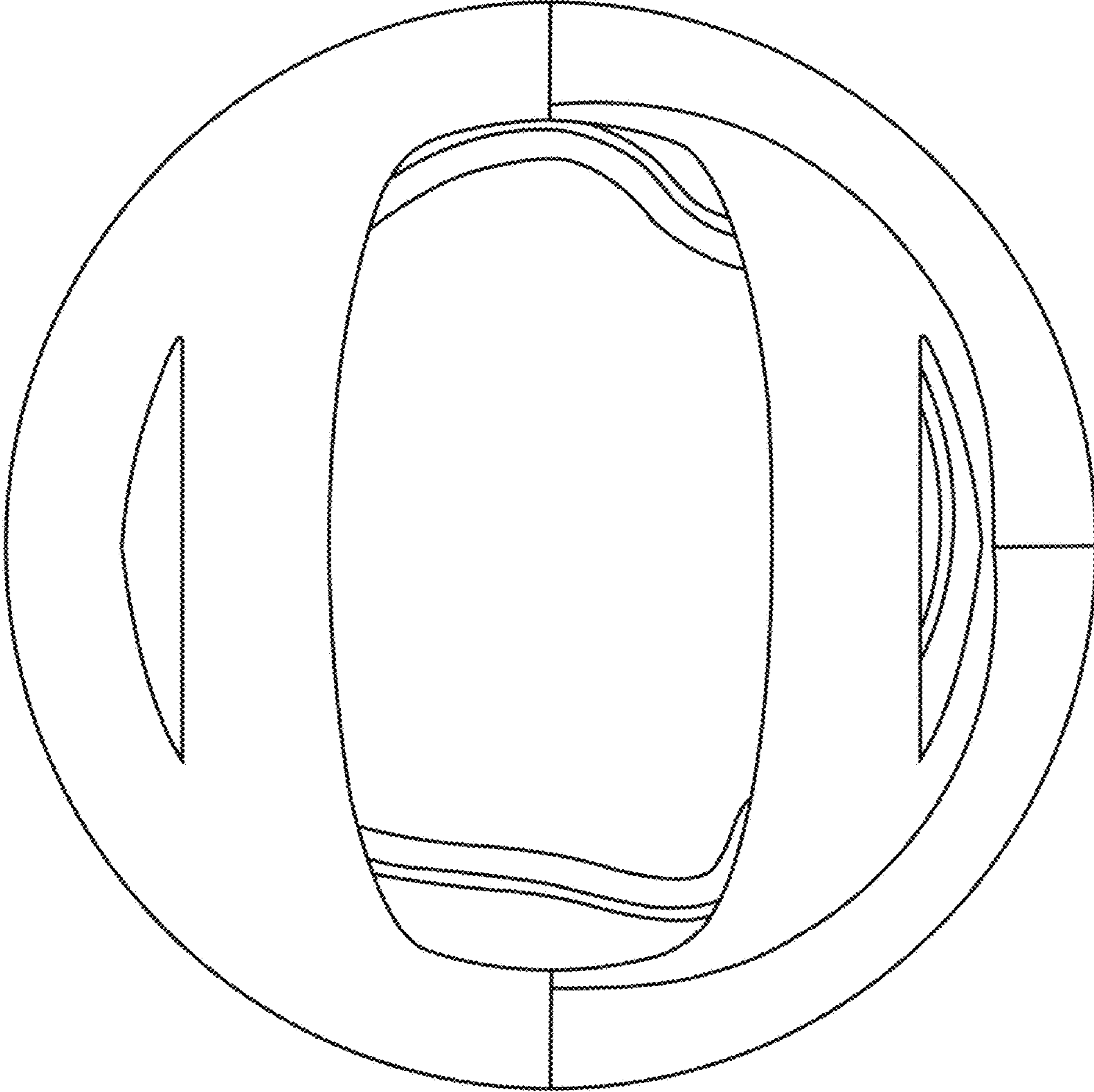


FIG. 5

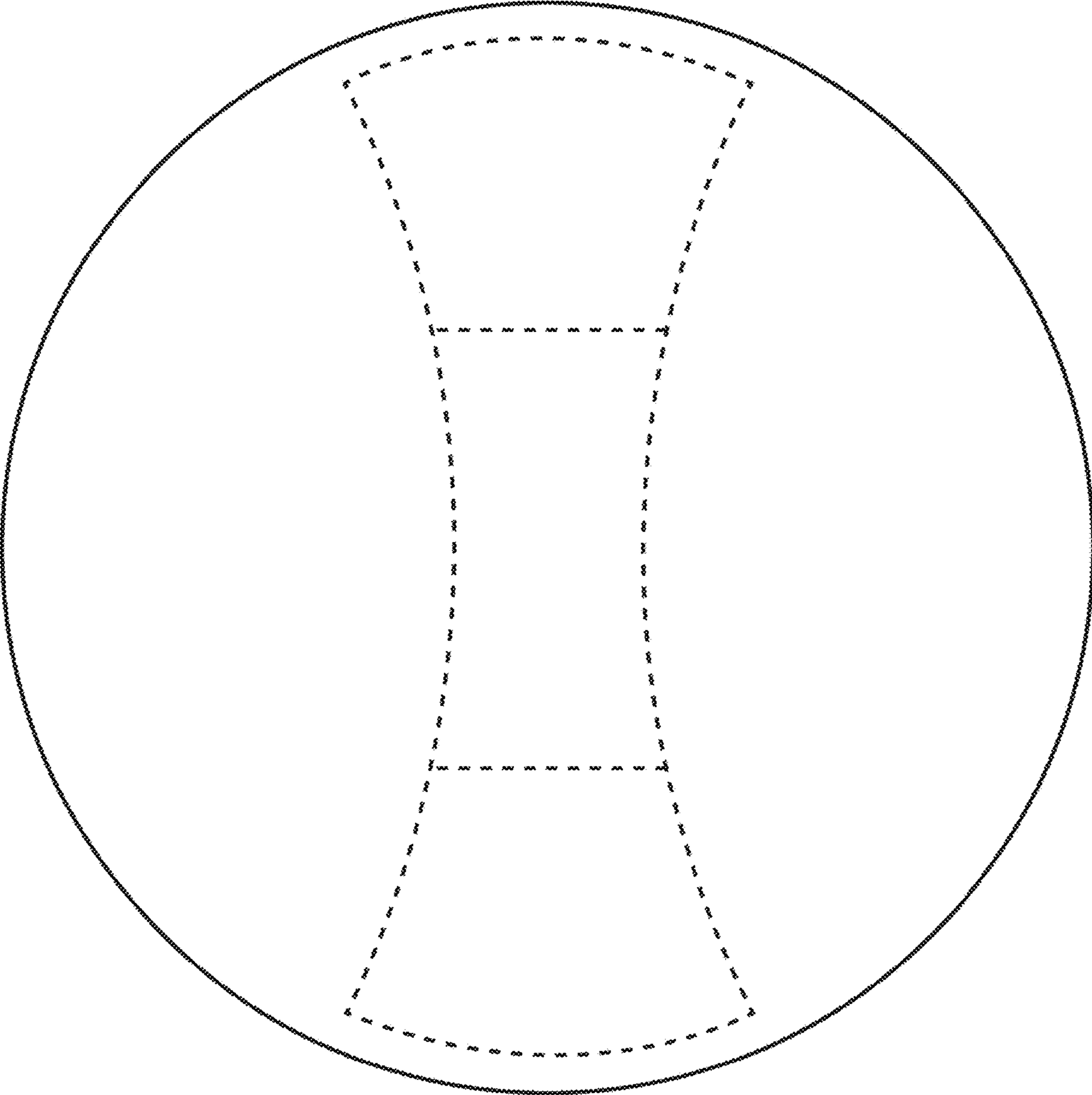


FIG. 6

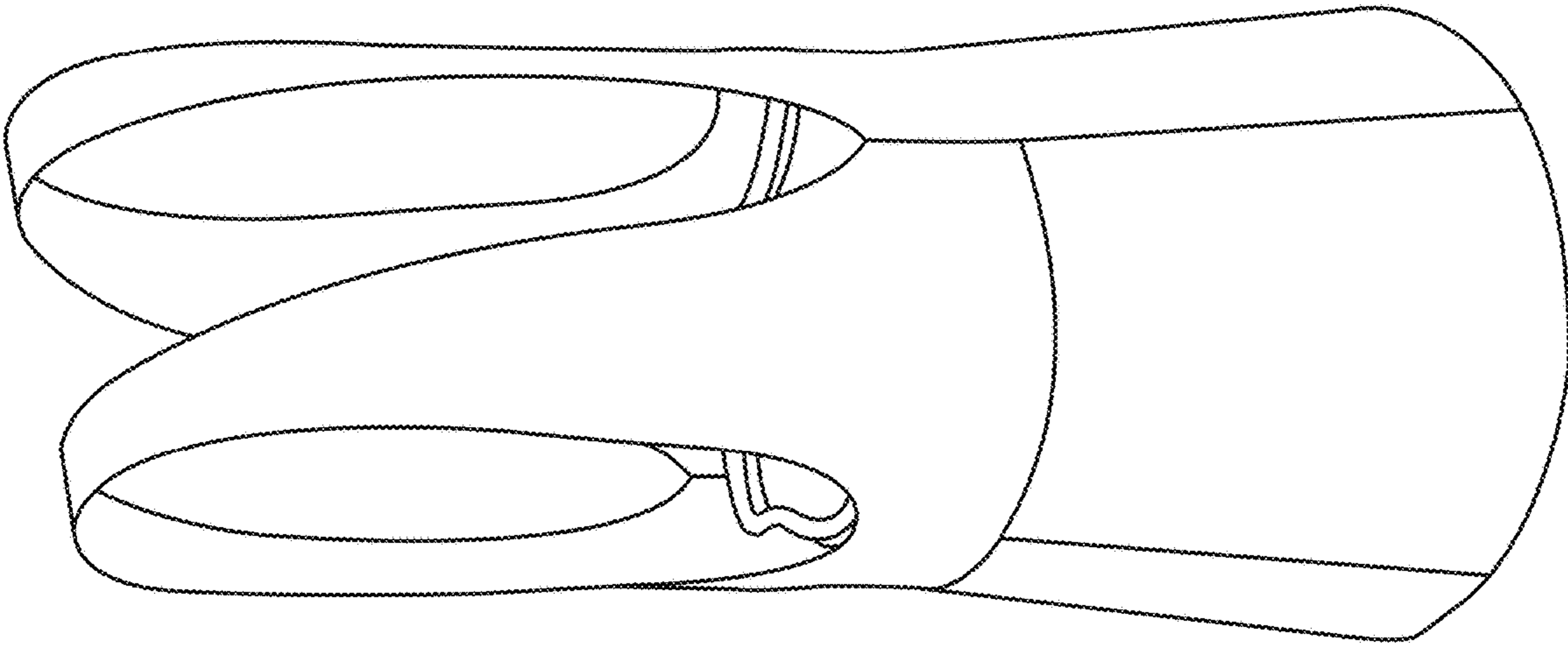


FIG. 7

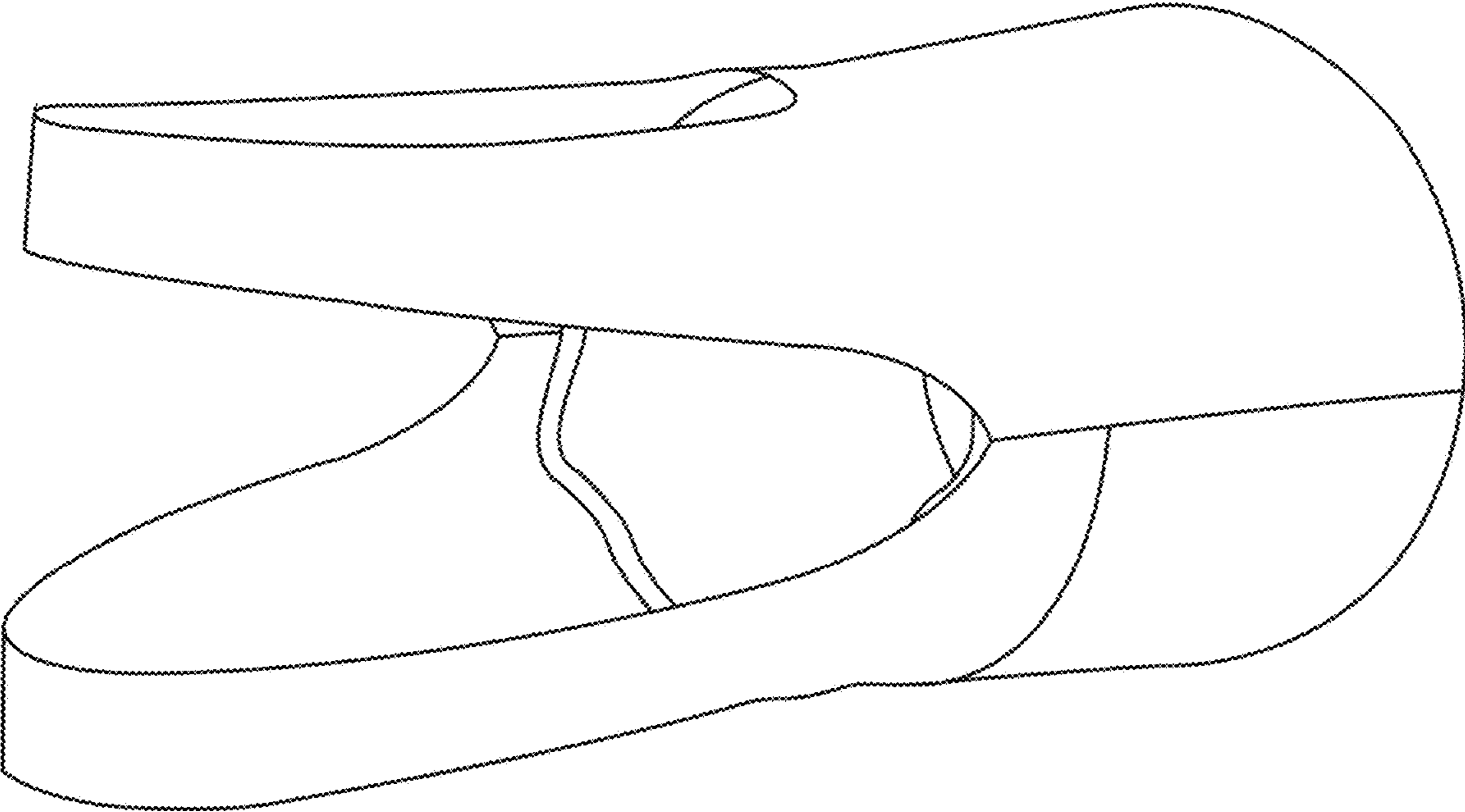


FIG.8