



US00D843104S

(12) **United States Design Patent**
Tellings

(10) **Patent No.:** **US D843,104 S**
(45) **Date of Patent:** **** Mar. 19, 2019**

(54) **HANDLE FOR AN UMBRELLA**
(71) Applicant: **TRAMEX TRADING COMPANY LIMITED**, Wan Chai (HK)
(72) Inventor: **Alexandre Tellings**, Beaufays (BE)
(73) Assignee: **Tramex Trading Company Limited**, Wan Chai (HK)
(**) Term: **15 Years**
(21) Appl. No.: **29/618,727**
(22) Filed: **Sep. 22, 2017**

D638,622 S * 5/2011 He D3/5
D668,445 S * 10/2012 Patzak D3/10
D738,610 S * 9/2015 Ma D3/10
D760,486 S * 7/2016 Patzak D3/10
D803,545 S * 11/2017 Rothbucher D3/12
D808,634 S * 1/2018 Ma D3/10
D808,635 S * 1/2018 Ma D3/10
D808,636 S * 1/2018 Ma D3/10
D809,283 S * 2/2018 Ma D3/10
D809,284 S * 2/2018 Ma D3/10
D809,775 S * 2/2018 Ma D3/10
D813,524 S * 3/2018 Ma D3/10
D814,172 S * 4/2018 Ma D3/10
D814,782 S * 4/2018 Ma D3/10
D815,828 S * 4/2018 Wang D3/12

* cited by examiner

(30) **Foreign Application Priority Data**

Mar. 24, 2017 (EM) 003822295-0006

(51) **LOC (11) Cl.** **03-03**
(52) **U.S. Cl.**
USPC **D3/16**

(58) **Field of Classification Search**
USPC D3/5, 6, 10, 12, 13, 14, 15, 16; D8/107, D8/300, 309
CPC A45B 9/02; A45B 17/00; A45B 19/00; A45B 2019/008; A45B 2023/0012; A45B 2023/0075; A45B 25/00; A45B 25/06; A45B 25/08; A45B 25/14; A45B 2025/146; A45B 2200/1081; A45B 2200/109
See application file for complete search history.

(56) **References Cited**

U.S. PATENT DOCUMENTS

D602,686 S * 10/2009 Patzak D3/10
D609,453 S * 2/2010 Liu D3/5
D621,600 S * 8/2010 He D3/5

Primary Examiner — John Windmuller

Assistant Examiner — Steven J Czyz

(74) *Attorney, Agent, or Firm* — Harness, Dickey & Pierce, P.L.C.

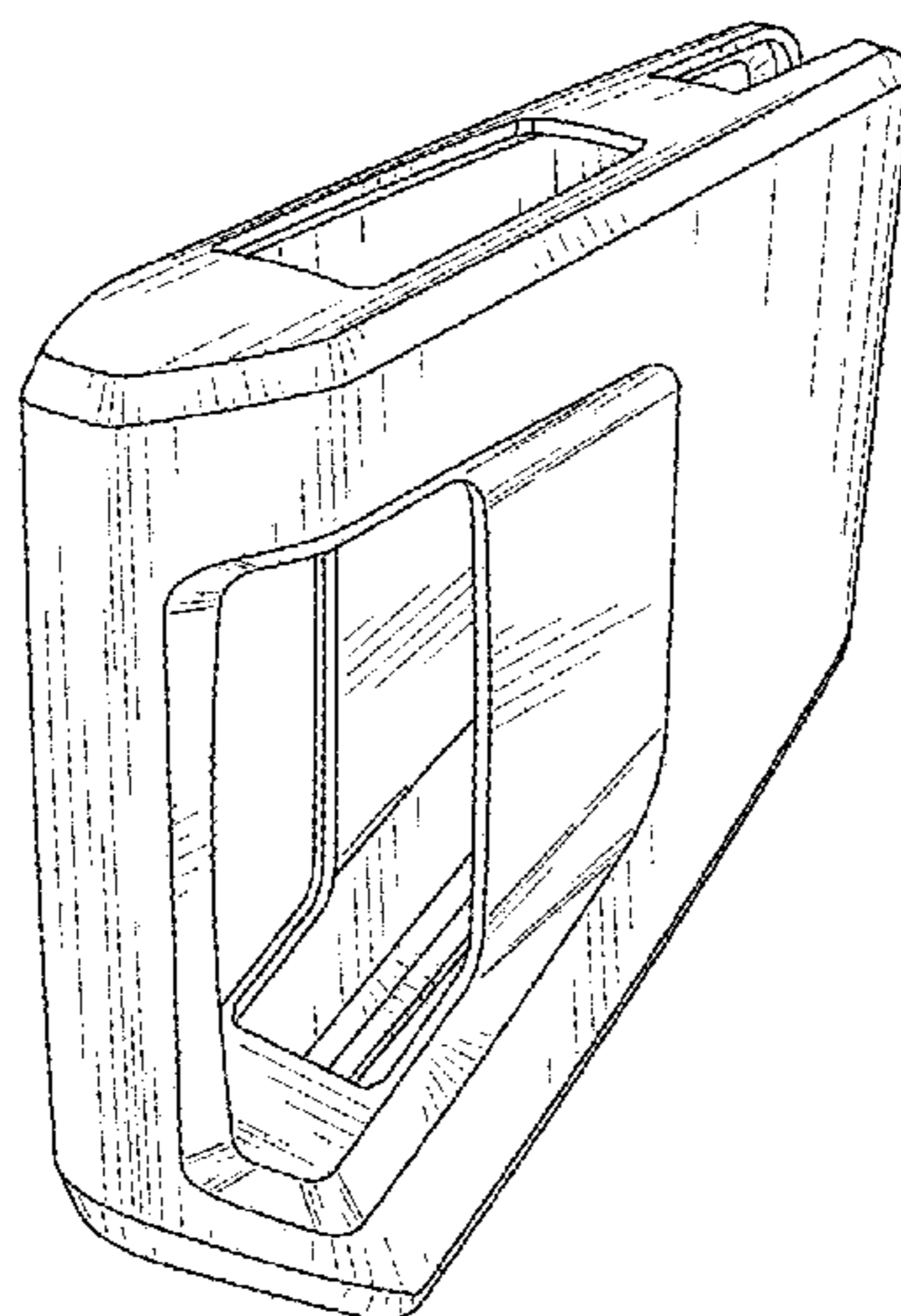
(57) **CLAIM**

The ornamental design for a handle for an umbrella, as shown and described.

DESCRIPTION

FIG. 1 is a perspective view of a handle for an umbrella in accordance with my new design;
FIG. 2 is a right side elevation view thereof;
FIG. 3 is a left side elevation view thereof;
FIG. 4 is a rear elevation view thereof;
FIG. 5 is a front elevation view thereof;
FIG. 6 is a top plan view thereof; and,
FIG. 7 is a bottom plan view thereof.
The details shown in broken lines are for illustrative purposes only and form no part of the claimed design.

1 Claim, 4 Drawing Sheets



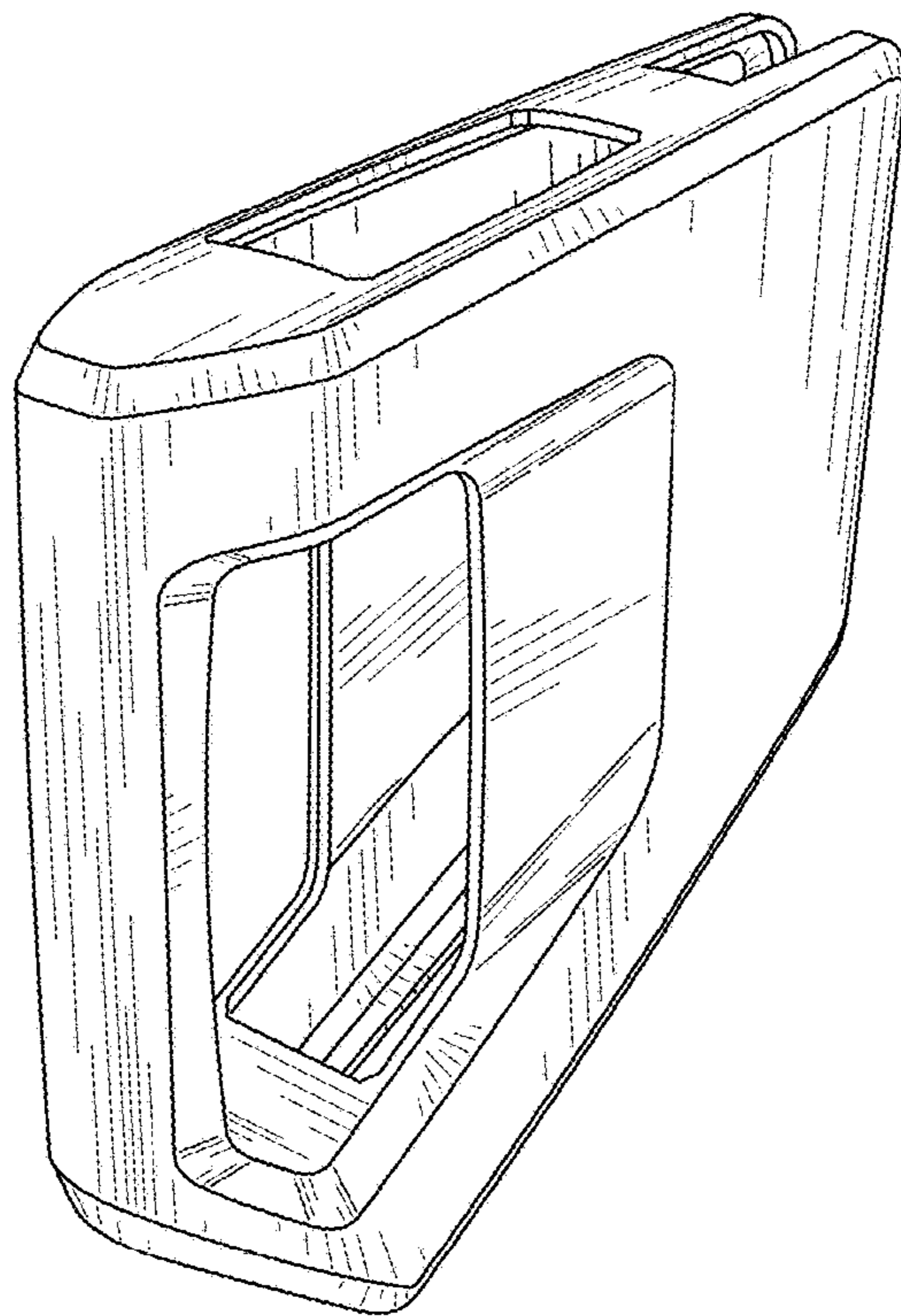


FIG. 1

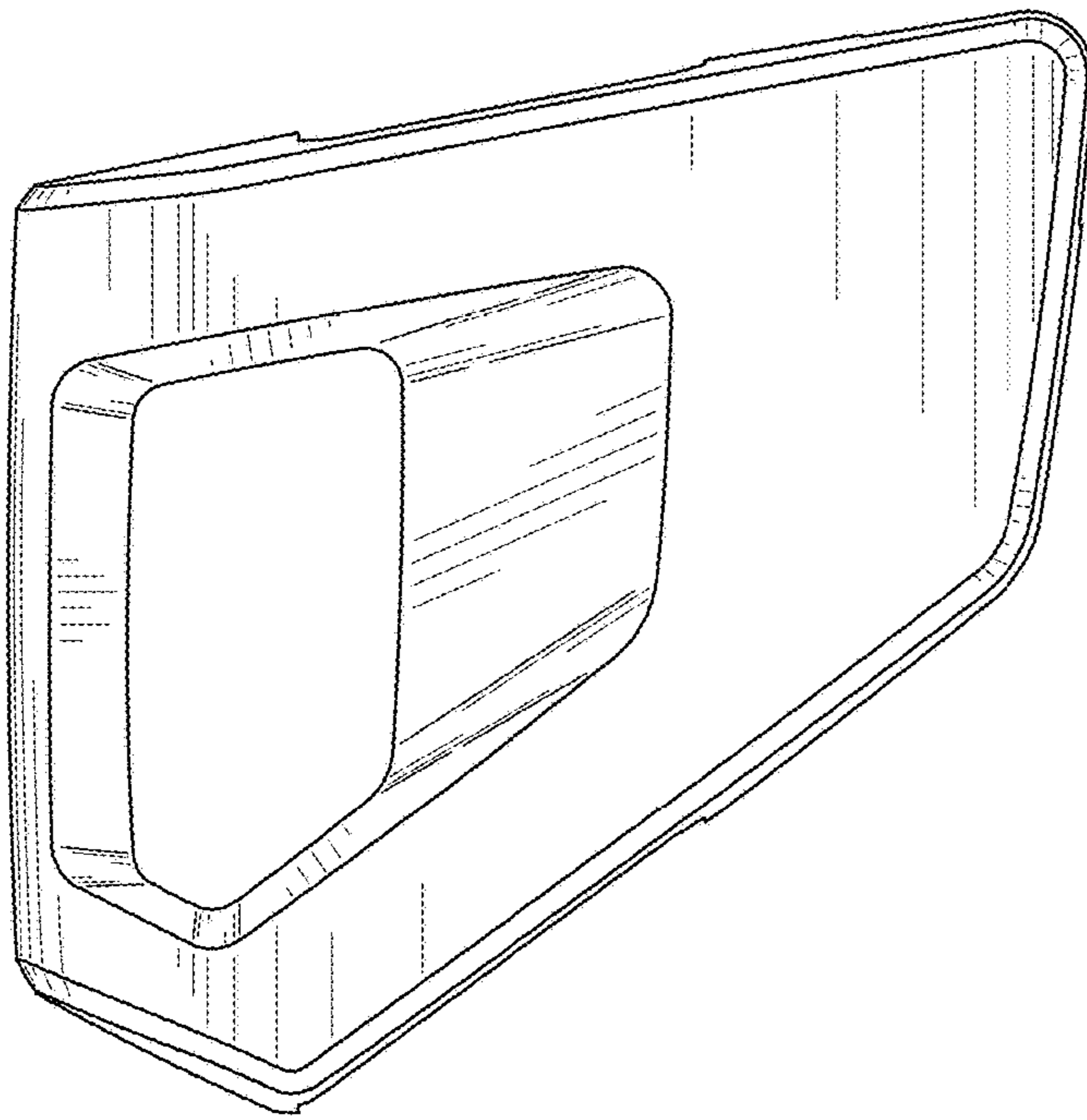


FIG. 2

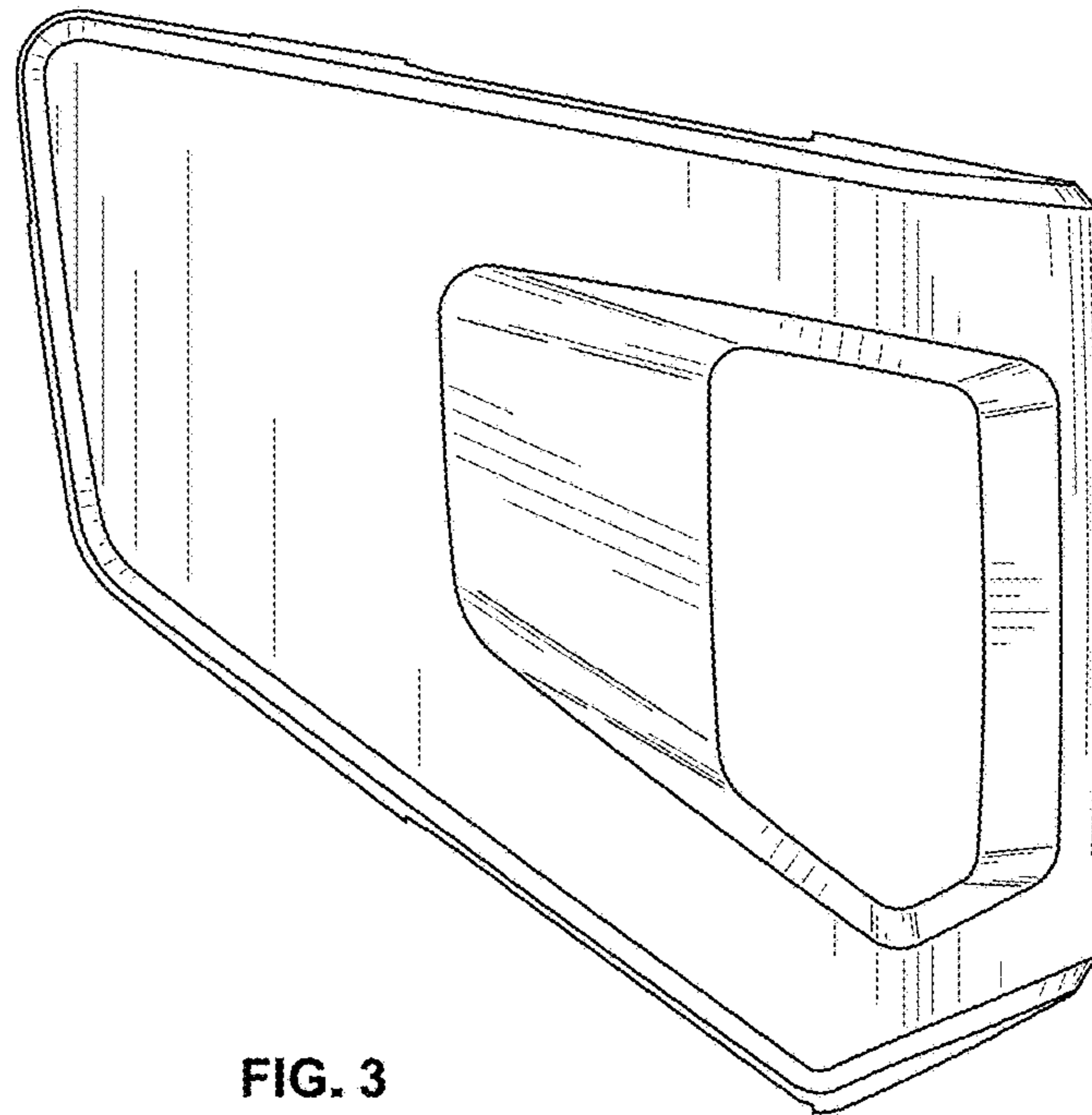


FIG. 3

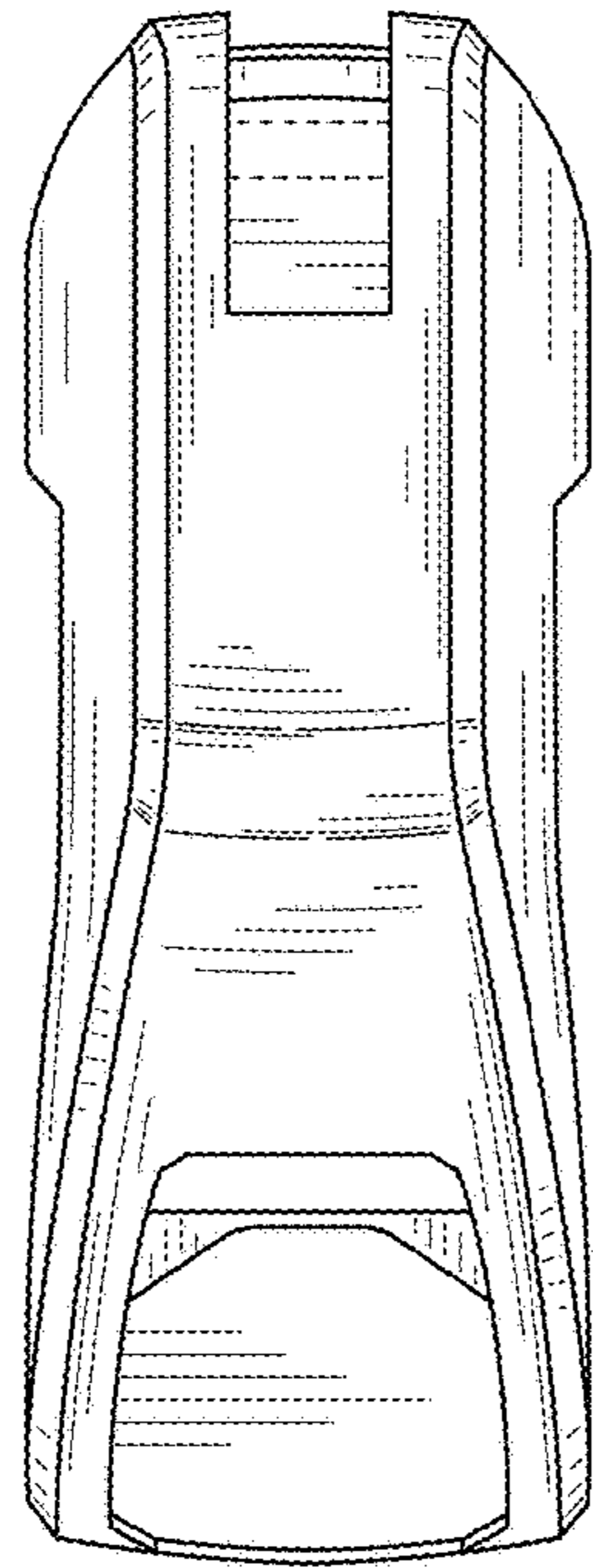


FIG. 4

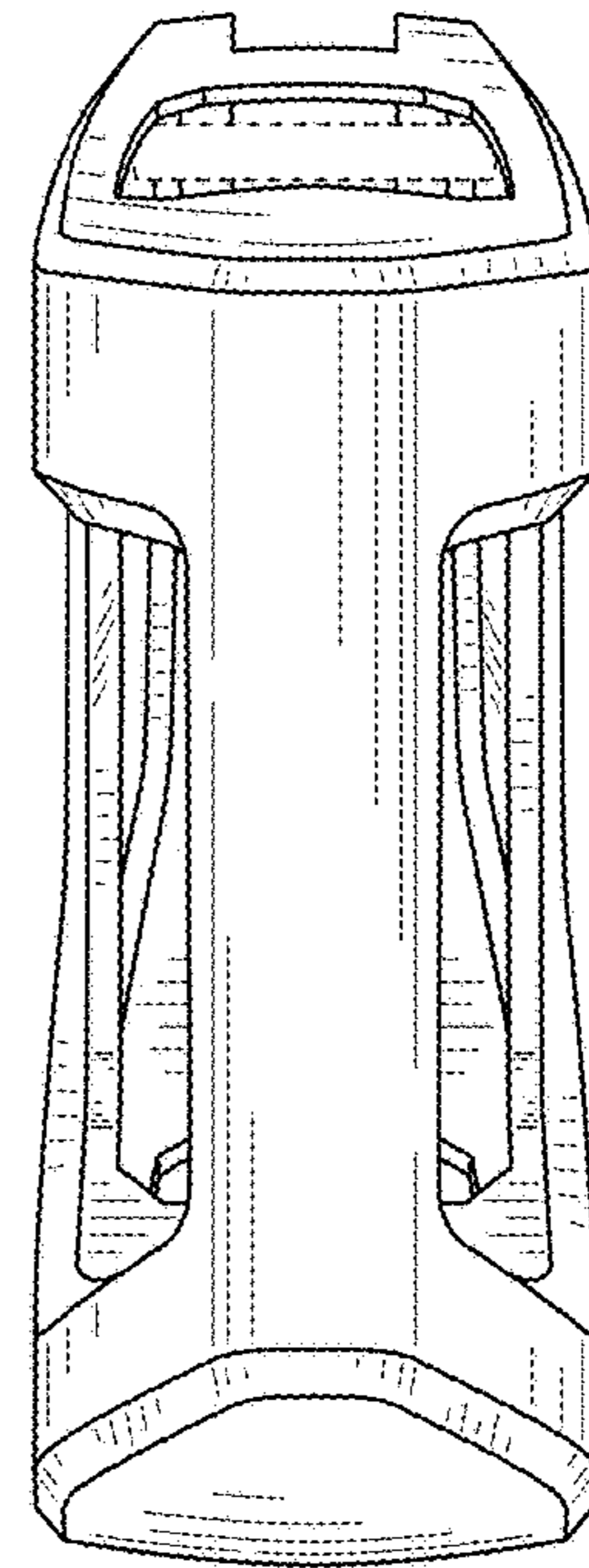


FIG. 5

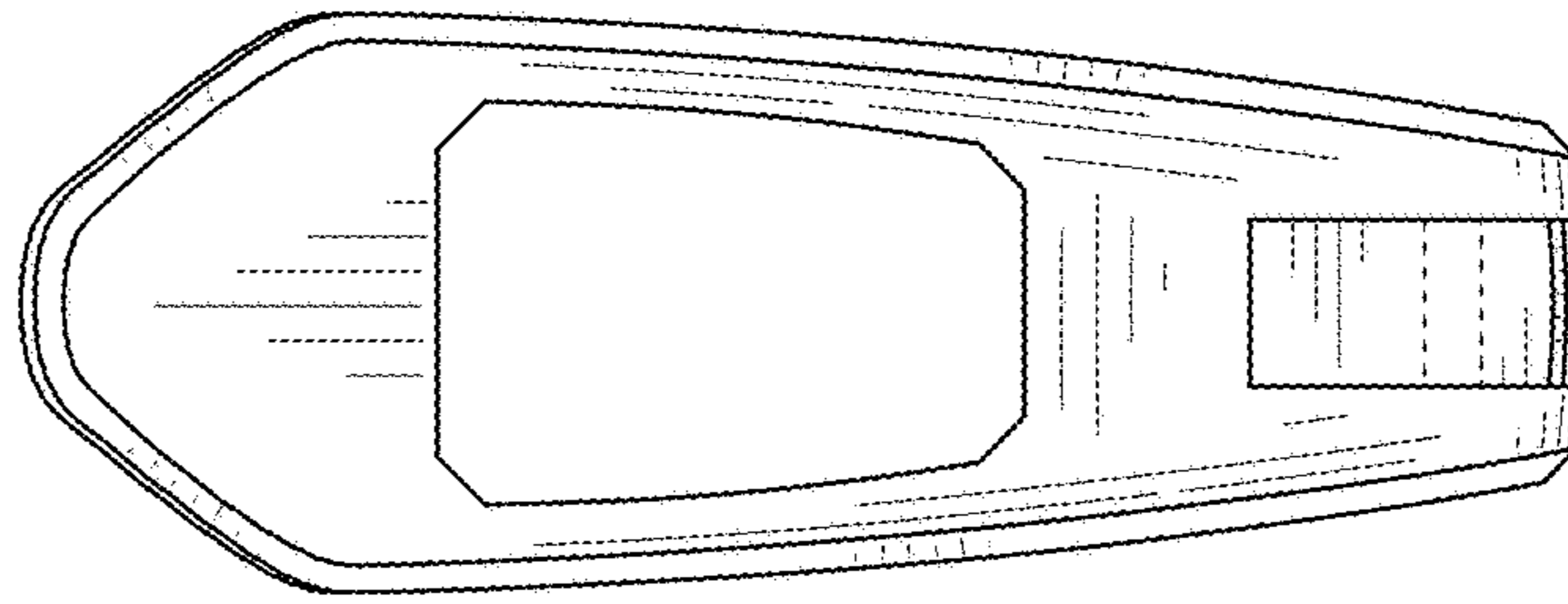


FIG. 6

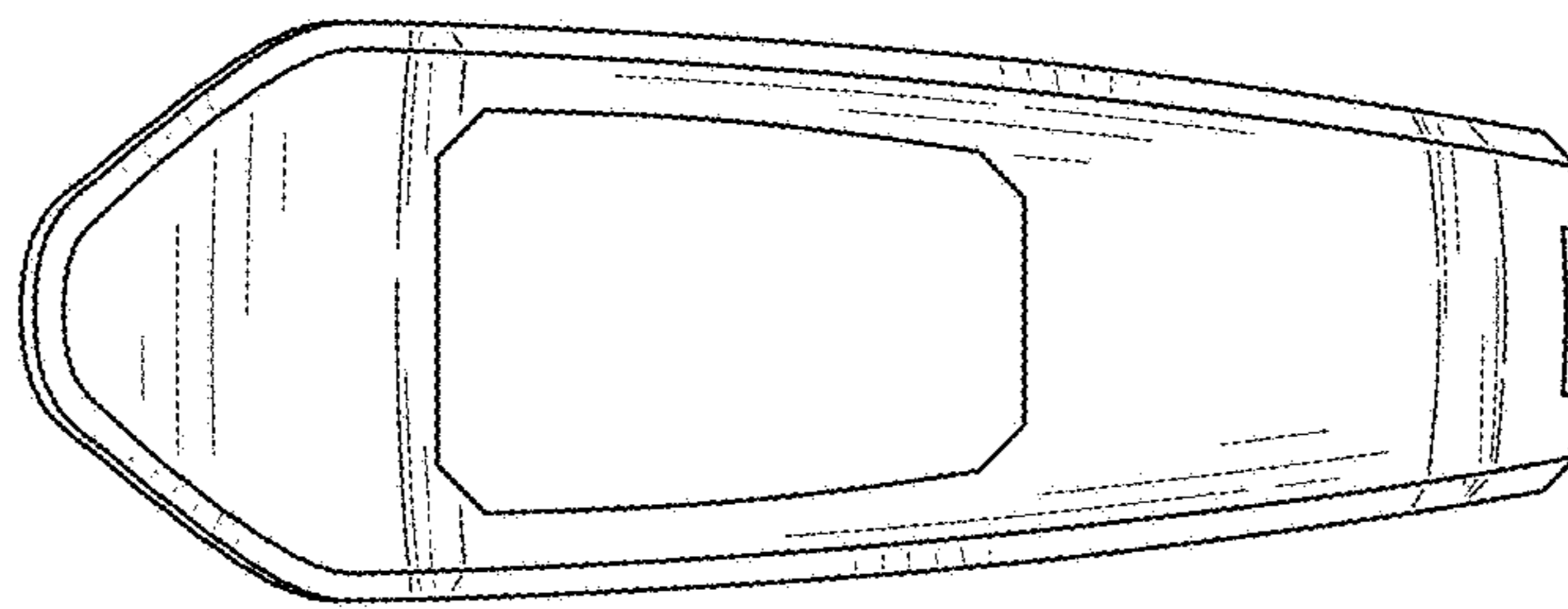


FIG. 7