



US00D843100S

(12) **United States Design Patent**  
**Rosenberg**

(10) **Patent No.:** **US D843,100 S**  
(45) **Date of Patent:** **\*\* Mar. 19, 2019**

- (54) **FOOTWEAR HEEL**
- (71) Applicant: **C-E-R IVS**, Soborg (DK)
- (72) Inventor: **Christie Elena Rosenberg**, Soborg (DK)
- (73) Assignee: **C-E-R IVS**, Søborg (DK)
- (\*\*) Term: **15 Years**
- (21) Appl. No.: **35/503,163**
- (22) Filed: **Dec. 14, 2016**
- (80) **Hague Agreement Data**  
 Int. Filing Date: **Dec. 14, 2016**  
 Int. Reg. No.: **DM/094031**  
 Int. Reg. Date: **Dec. 14, 2016**  
 Int. Reg. Pub. Date: **Jun. 16, 2017**
- (51) **LOC (11) Cl.** ..... **02-04**
- (52) **U.S. Cl.**  
 USPC ..... **D2/965**
- (58) **Field of Classification Search**  
 USPC ..... D2/901, 902, 906, 907, 908, 915, 916,  
 D2/919, 923, 925, 927-929, 935, 946,  
 D2/941, 943, 949-951, 953, 960, 961,  
 D2/969, 977, 978, 964, 965, 972  
 CPC ..... A43B 3/14; A43B 5/007; A43B 23/30;  
 A43B 21/42; A43B 21/00; A43B 21/22;  
 A43B 21/32; A43B 21/26  
 See application file for complete search history.

- (56) **References Cited**  
 U.S. PATENT DOCUMENTS  
 2,875,534 A \* 3/1959 Grossman ..... A43B 3/166  
 36/72 B  
 3,094,793 A \* 6/1963 Reichel ..... A43B 21/24  
 36/36 R  
 D293,042 S \* 12/1987 Martin ..... D2/915  
 D305,275 S \* 1/1990 Kemna ..... D2/915

- 5,311,675 A \* 5/1994 Topel ..... A43B 21/00  
 36/72 B
- D591,033 S \* 4/2009 Patterson ..... D2/915
- 7,644,719 B2 \* 1/2010 Galanty ..... A45B 9/04  
 135/67
- 9,107,477 B2 \* 8/2015 Zadeh ..... A43B 21/22
- D750,880 S \* 3/2016 Weber ..... D2/965
- D790,168 S \* 6/2017 Daniel ..... D2/915
- D809,254 S \* 2/2018 Hwang ..... D2/915
- 2008/0148606 A1 \* 6/2008 Brown ..... A43B 3/166  
 36/72 B
- 2009/0217553 A1 \* 9/2009 Jagger ..... A43B 21/42  
 36/72 B
- 2011/0185601 A1 \* 8/2011 Hampton ..... A43B 23/00  
 36/72 B
- 2011/0232137 A1 \* 9/2011 Desiderio ..... A43B 3/0031  
 36/72 B
- 2013/0042505 A1 \* 2/2013 Hwang ..... A43B 21/265  
 36/72 B
- 2014/0033579 A1 \* 2/2014 Greener ..... A43B 23/00  
 36/72 B

\* cited by examiner

*Primary Examiner* — Jennifer L Watkins  
(74) *Attorney, Agent, or Firm* — Cermak Nakajima  
McGowan LLP; Adam J. Cermak

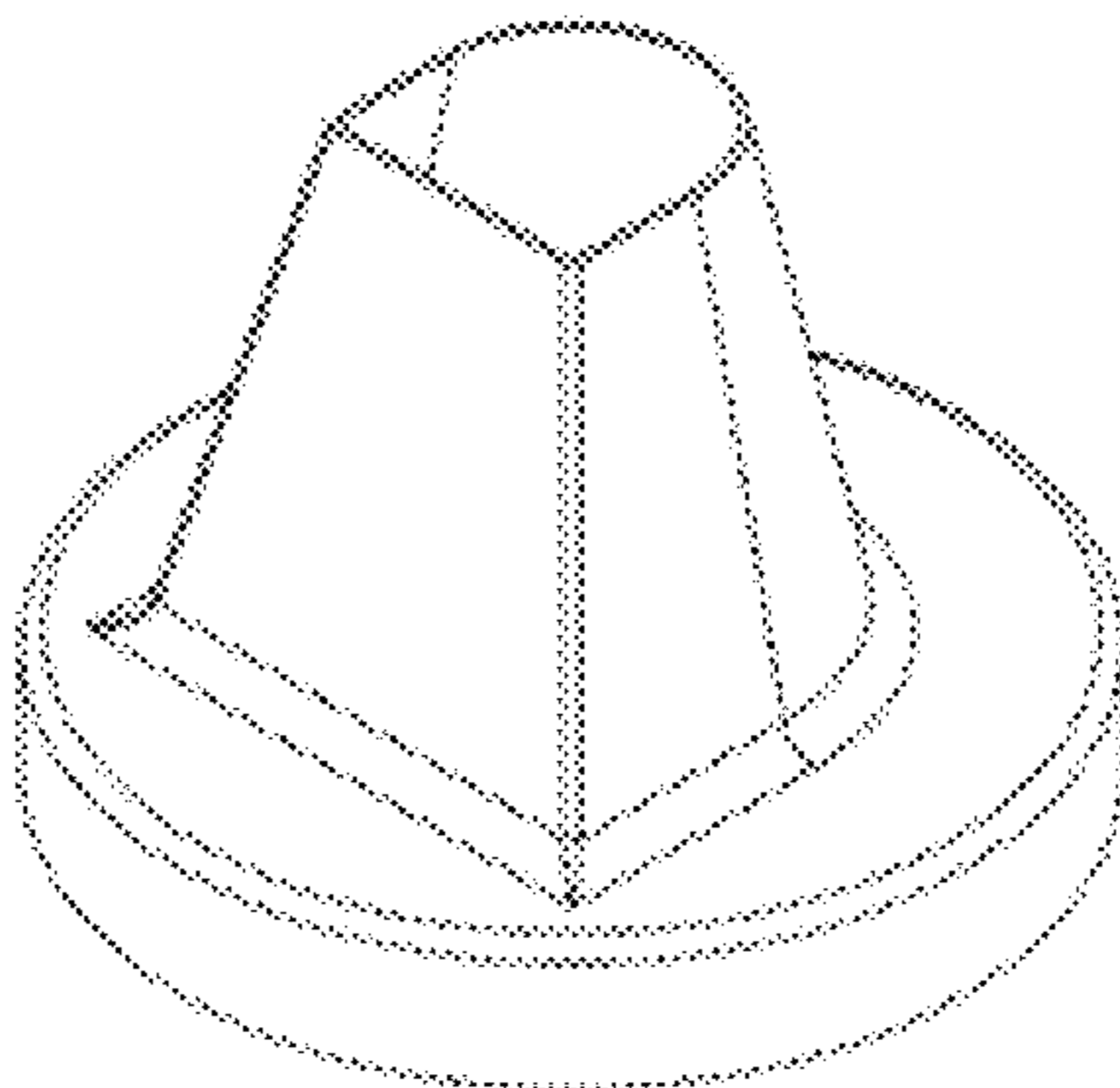
(57) **CLAIM**

The ornamental design for footwear heel, as shown and described.

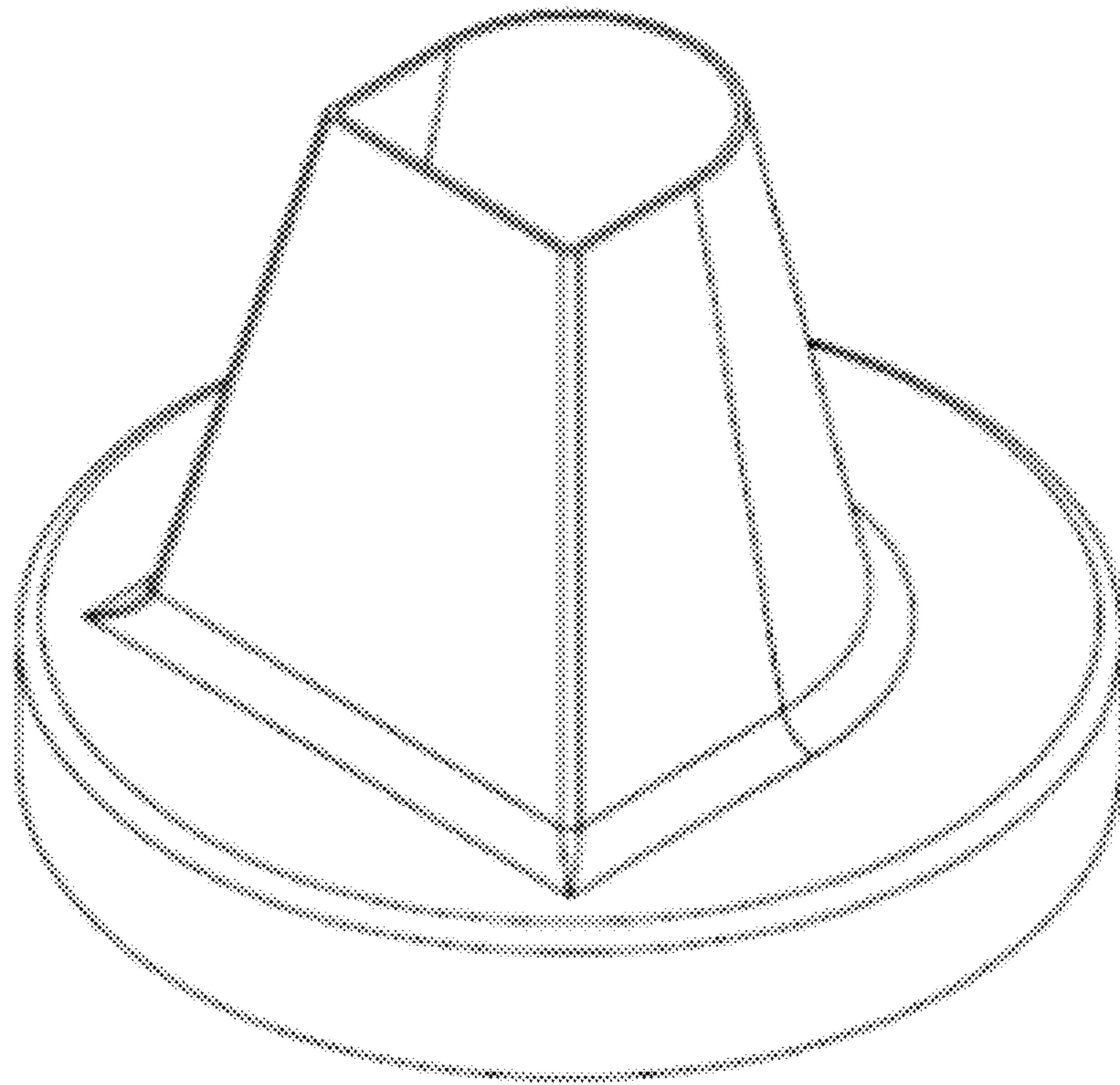
**DESCRIPTION**

Fig. 1.1 is a top, left, front perspective view of a footwear heel, showing my new design the opposite side being a mirror image thereof;  
FIG. 1.2 is a front elevational view of the footwear heel shown in FIG. 1.1;  
Fig. 1.3 is a bottom, left, front perspective view of the footwear heel shown in fig. 1.1 the opposite side being a mirror image thereof; and  
FIG. 1.4 is a top plan view of the footwear heel shown in FIG. 1.1.

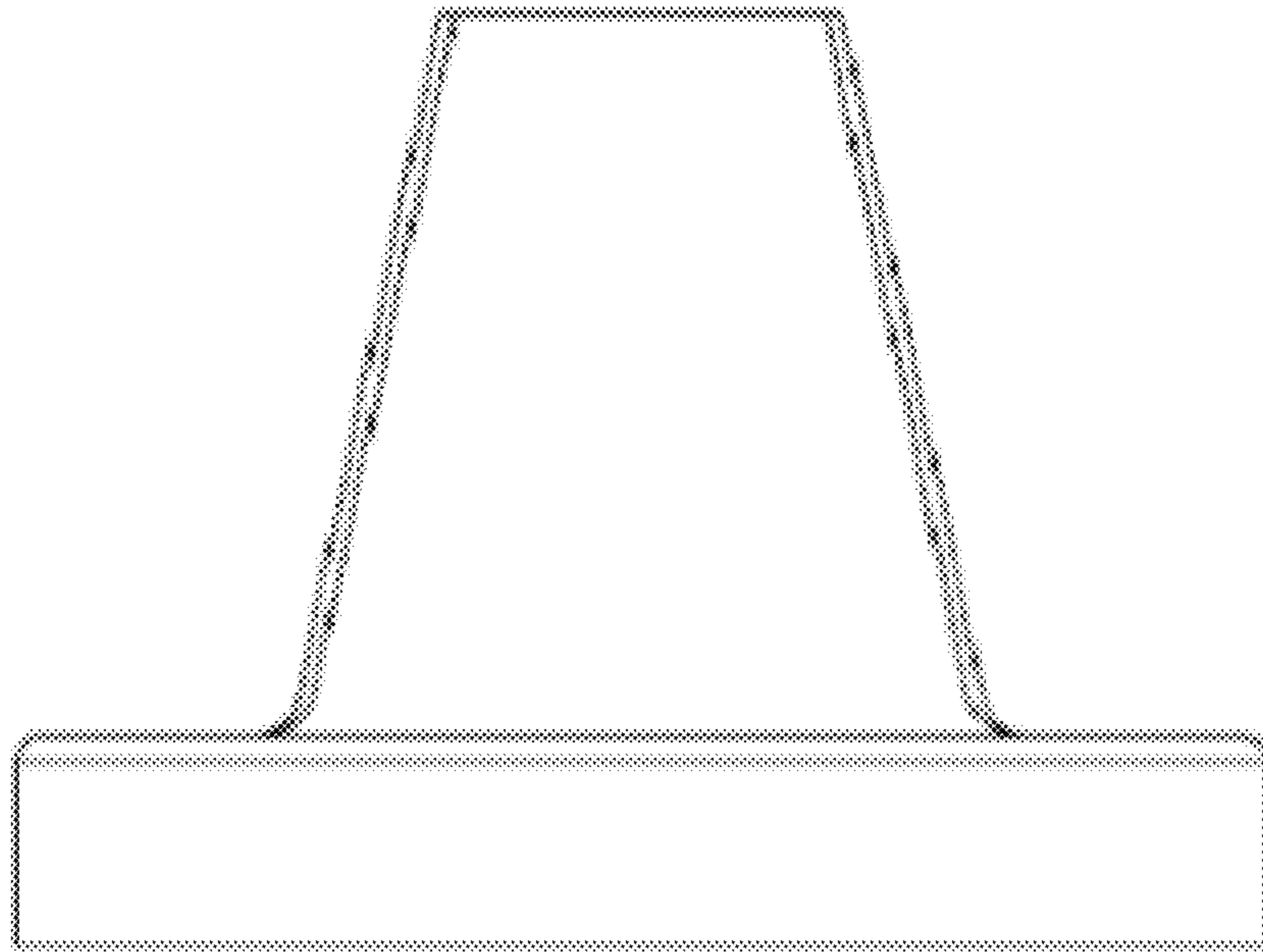
**1 Claim, 4 Drawing Sheets**



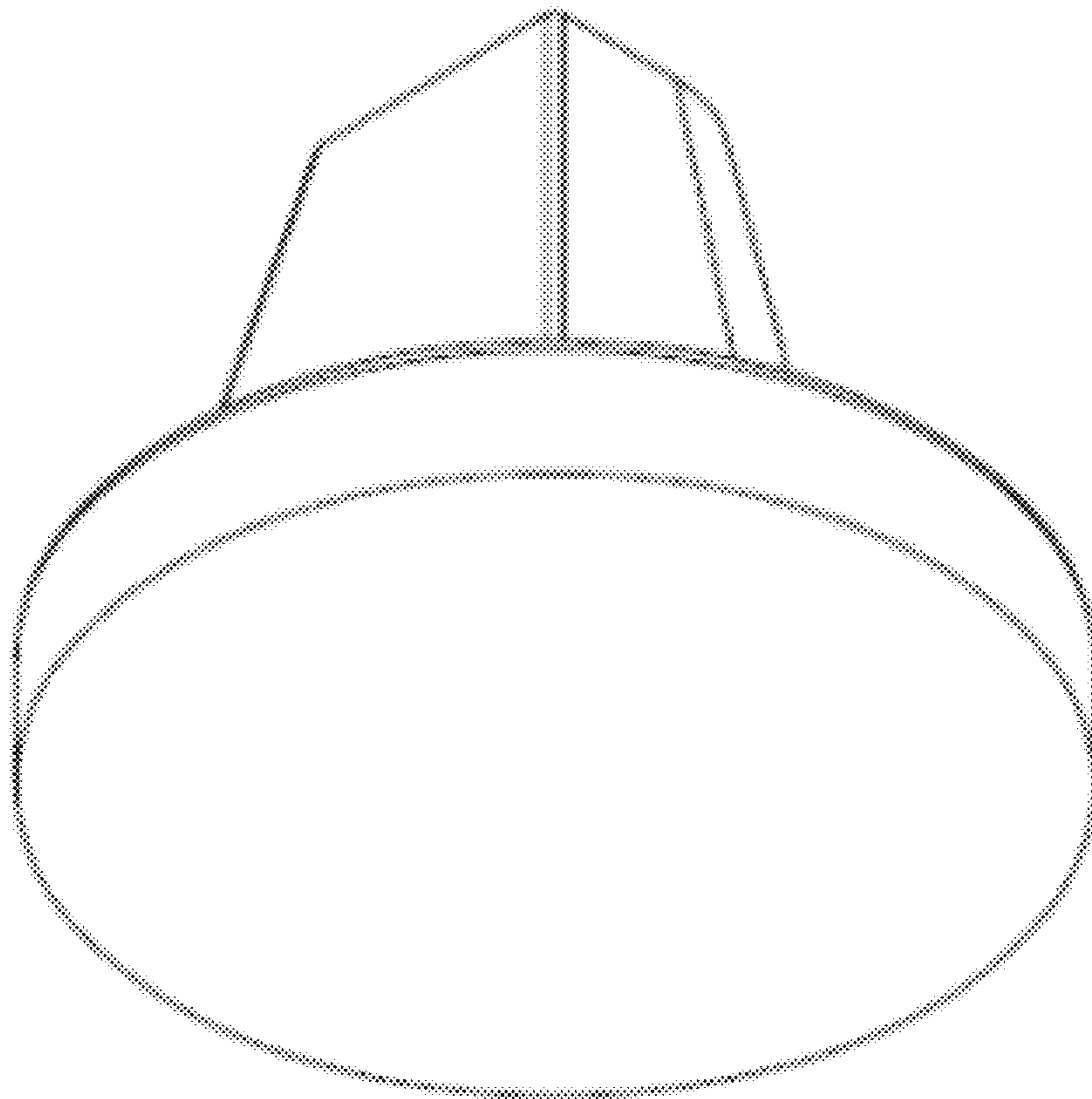
**1.1**



**1.2**



**1.3**



**1.4**

