



US00D843098S

(12) **United States Design Patent**
Natowich McPhee et al.

(10) **Patent No.:** **US D843,098 S**
(45) **Date of Patent:** **** Mar. 19, 2019**

- (54) **SHOE SOLE**
- (71) Applicant: **TBL Licensing LLC**, Stratham, NH (US)
- (72) Inventors: **Anna Regan Natowich McPhee**, Durham, NH (US); **Norman Gress**, Andover, MA (US)
- (73) Assignee: **TBL Licensing LLC**, Stratham, NH (US)
- (**) Term: **15 Years**
- (21) Appl. No.: **29/602,192**
- (22) Filed: **Apr. 28, 2017**
- (51) **LOC (11) Cl.** **02-04**
- (52) **U.S. Cl.**
USPC **D2/960; D2/947; D2/951; D2/953; D2/957; D2/959**
- (58) **Field of Classification Search**
USPC D2/902, 906, 908, 916, 918, 925, D2/946-962, 977; 36/3 B, 22 R, 24.5, 36/25 R, 28, 32 R, 34 R, 59 C, 67 A, 103
CPC A43B 13/00; A43B 13/02; A43B 13/023; A43B 13/026; A43B 13/04; A43B 13/08; A43B 13/10; A43B 13/12; A43B 13/14; A43B 13/141; A43B 13/143; A43B 13/16; A43B 13/18; A43B 13/181; A43B 13/187; A43B 13/189; A43B 13/20; A43B 13/22; A43B 13/223; A43B 13/24; A43B 13/28; A43B 13/30; A43B 13/32; A43B 13/34; A43B 13/36
See application file for complete search history.

- (56) **References Cited**
U.S. PATENT DOCUMENTS
4,808,469 A * 2/1989 Hiles A41D 31/0044 428/318.6
D390,348 S * 2/1998 Meyer D2/957

- D401,040 S * 11/1998 Schneider D2/951
- D417,943 S * 12/1999 Solaroli D2/951
- D429,411 S * 8/2000 Gillespie D2/947
- D468,517 S * 1/2003 Recchi A43B 13/223 D2/954
- D483,554 S * 12/2003 Burg D2/951
- D485,666 S * 1/2004 Bray, Jr. D2/919
- D531,788 S * 11/2006 Rittberg D2/959
- D553,835 S * 10/2007 McClaskie A43B 3/0057 D2/953
- D608,534 S * 1/2010 Bullard A43B 13/223 D2/947
- D724,829 S * 3/2015 Lonigan D2/951
- D746,562 S * 1/2016 Babcock D2/951
- D755,492 S * 5/2016 Bizzo D2/951
- D759,360 S * 6/2016 Zappiello A43B 9/00 D2/951
- D759,953 S * 6/2016 Cohn A43B 13/14 D2/951

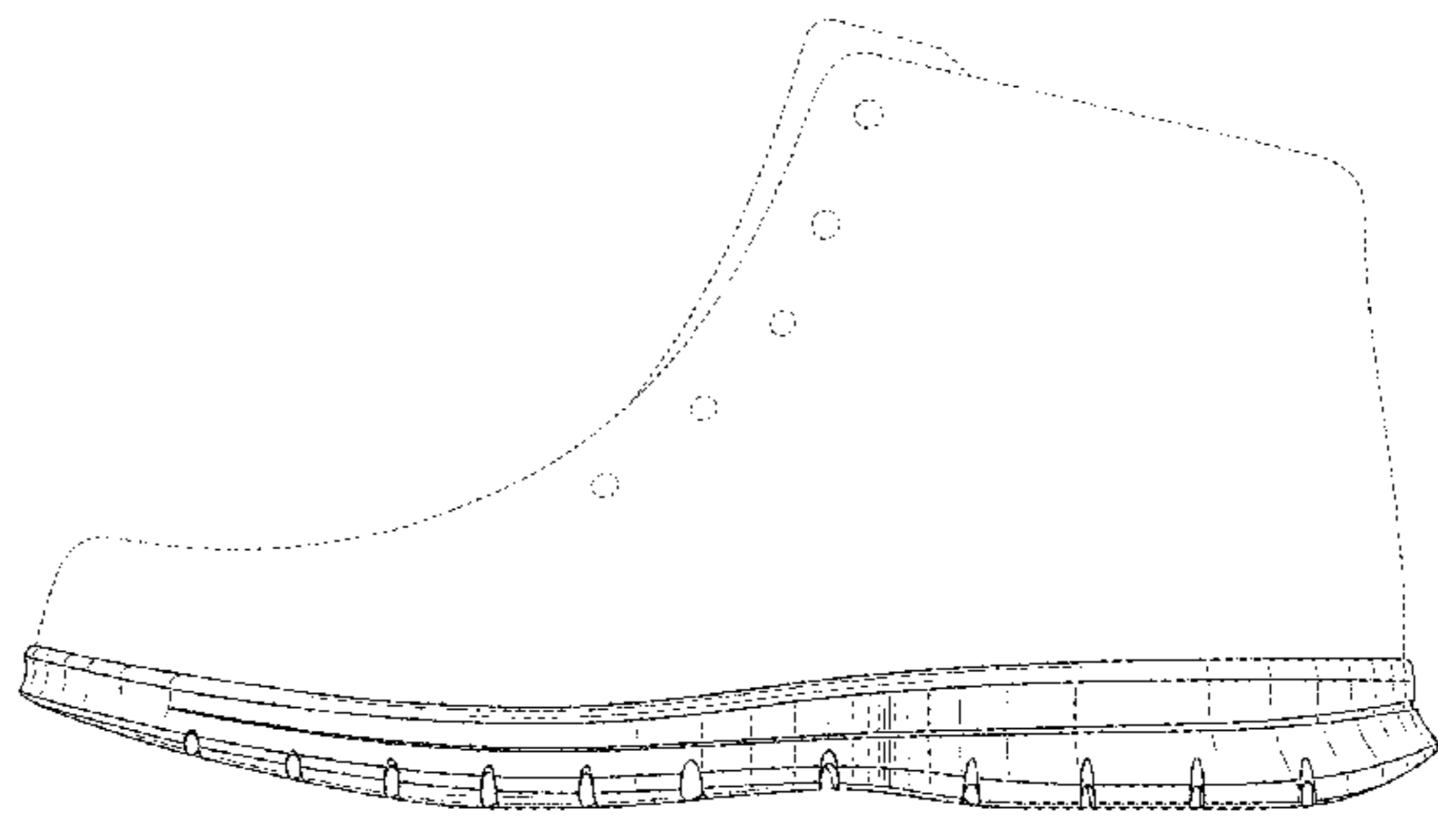
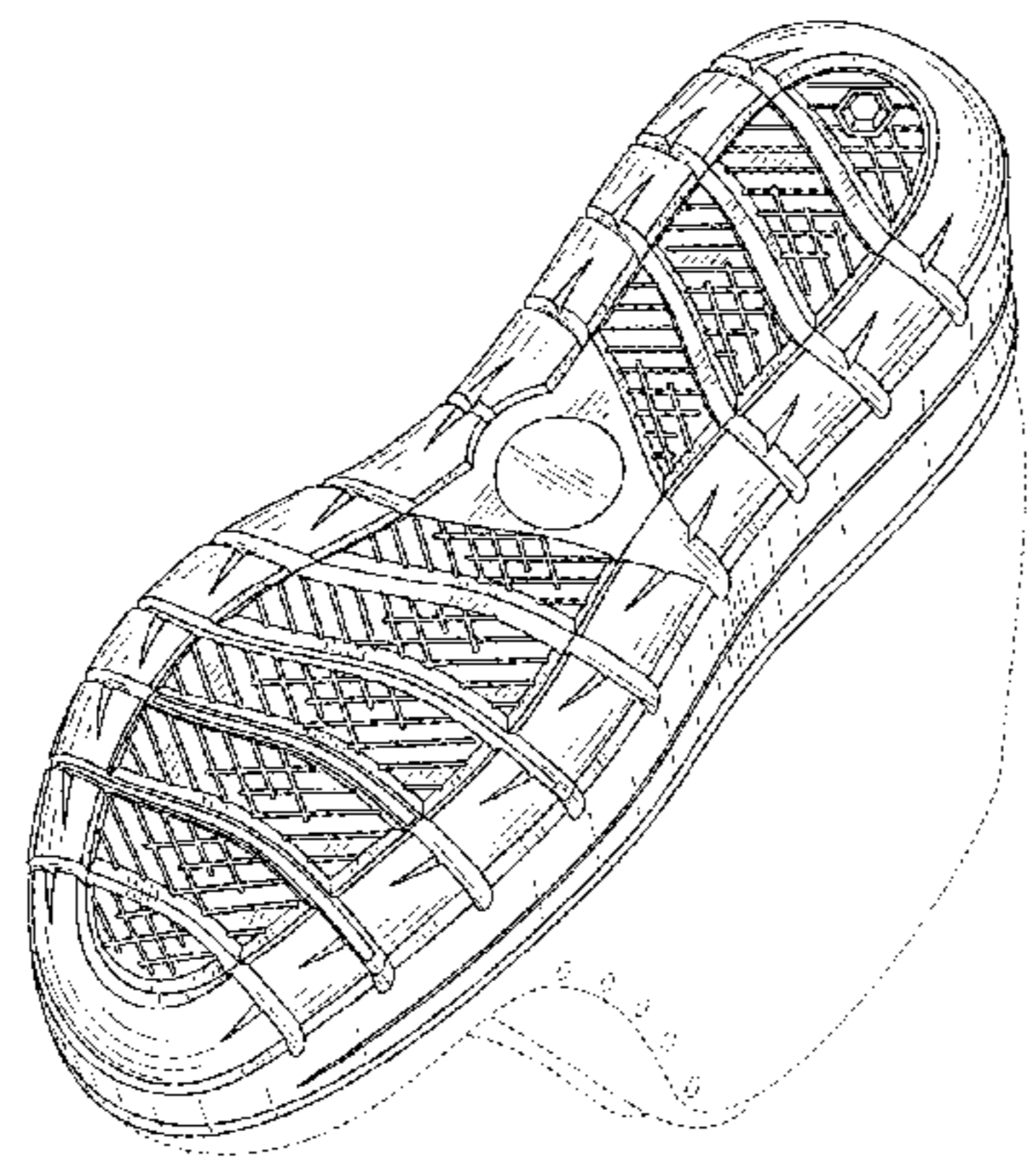
(Continued)

Primary Examiner — T Chase Nelson
(74) *Attorney, Agent, or Firm* — Lerner, David, Littenberg, Krumholz & Mentlik, LLP

(57) **CLAIM**
The ornamental design for a shoe sole, as shown and described.

DESCRIPTION
FIG. 1 is a bottom perspective view of a shoe sole according to our design;
FIG. 2 is a front view thereof;
FIG. 3 is a rear view thereof;
FIG. 4 is a right side view thereof;
FIG. 5 is a left side view thereof;
FIG. 6 is a top view thereof; and,
FIG. 7 is a bottom view thereof.
The broken lines illustrate unclaimed environmental structure and form no part of the claimed design.

1 Claim, 6 Drawing Sheets



(56)

References Cited

U.S. PATENT DOCUMENTS

D802,895 S * 11/2017 Hatfield A43B 3/0057
D2/951
D802,897 S * 11/2017 Howe A41D 31/0044
D2/953
D814,755 S * 4/2018 McManus D2/957
D819,944 S * 6/2018 Martin D2/953
D821,078 S * 6/2018 Galway D2/960
D822,966 S * 7/2018 Thompson D2/953
D822,968 S * 7/2018 Moranges D2/957
D824,151 S * 7/2018 Newman D2/957
2008/0229617 A1 * 9/2008 Johnson A43B 3/0057
36/102
2011/0023215 A1 * 2/2011 Obradovic A43B 3/16
2/239
2016/0219973 A1 * 8/2016 Cheney A43B 9/00
2017/0188655 A1 * 7/2017 Carlson A43B 13/14

* cited by examiner

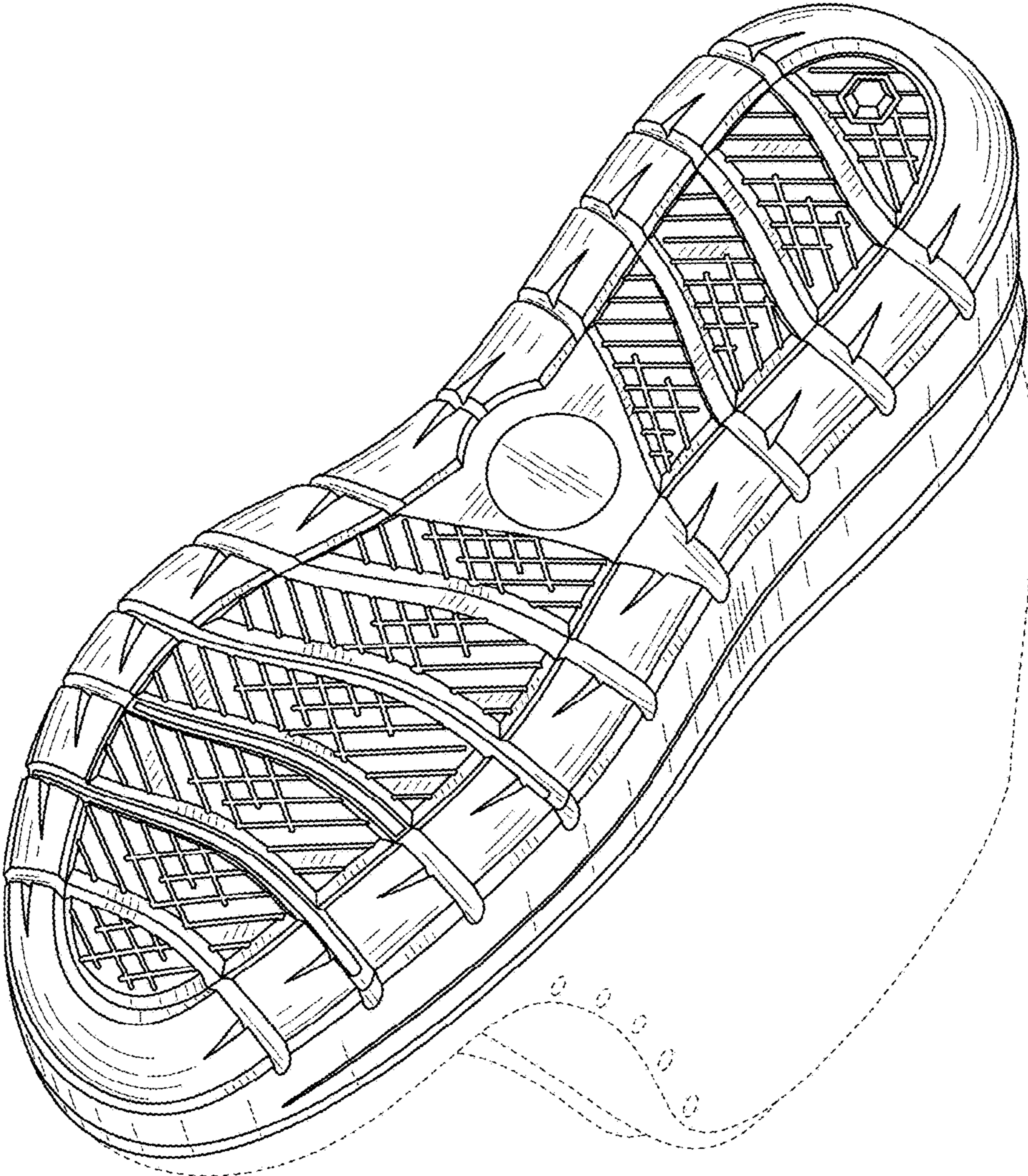


FIG. 1

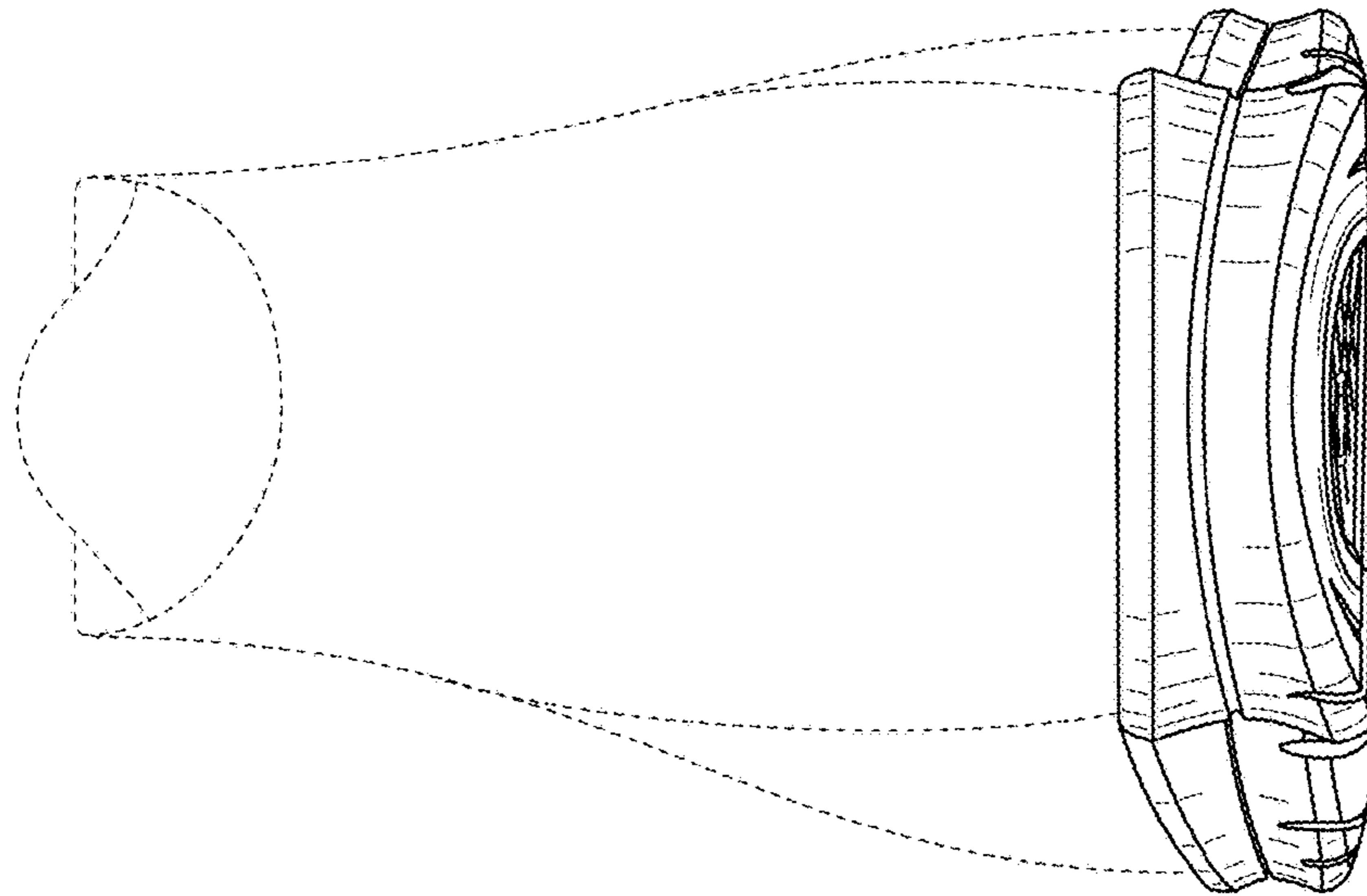


FIG. 3

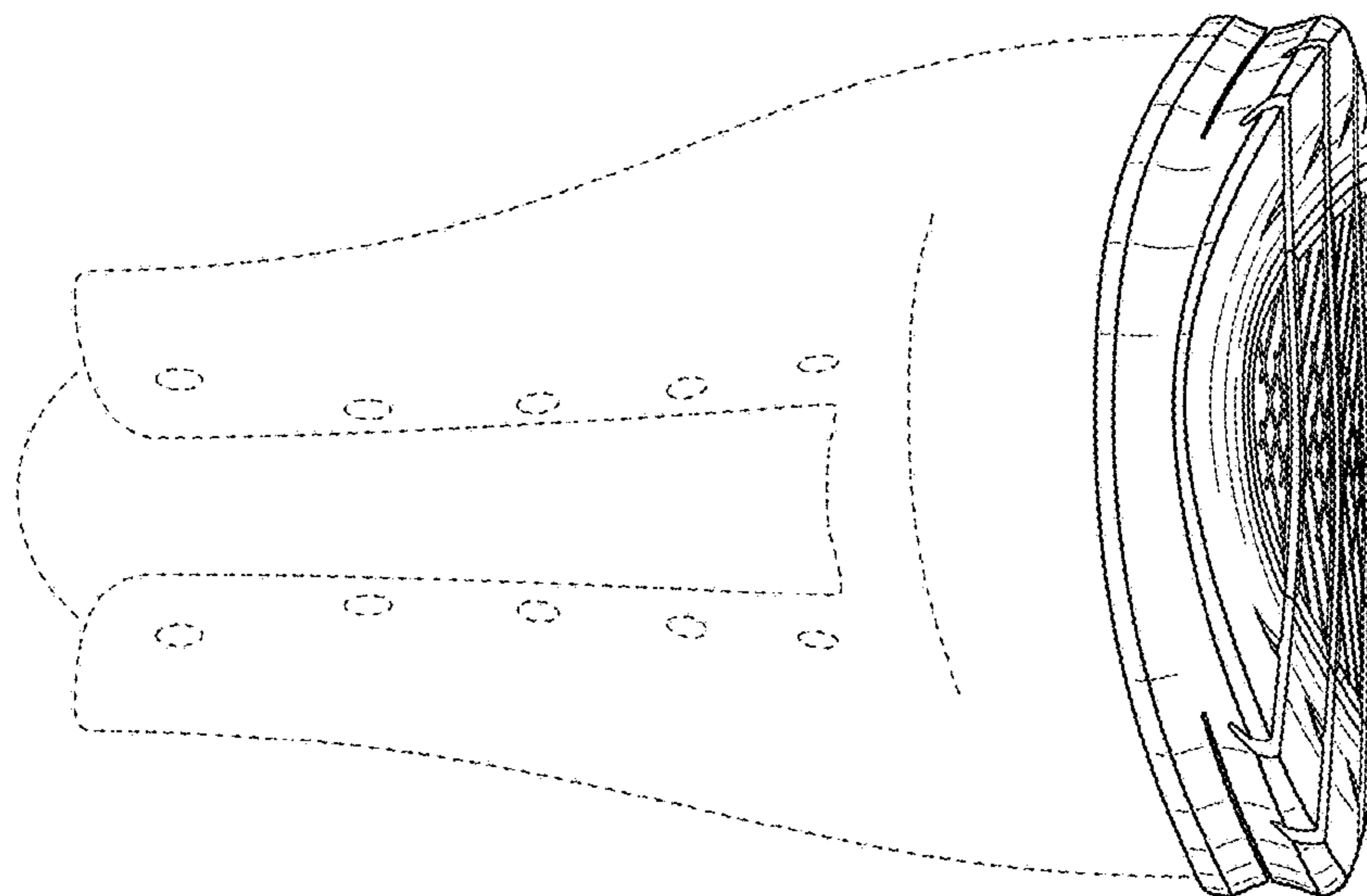


FIG. 2

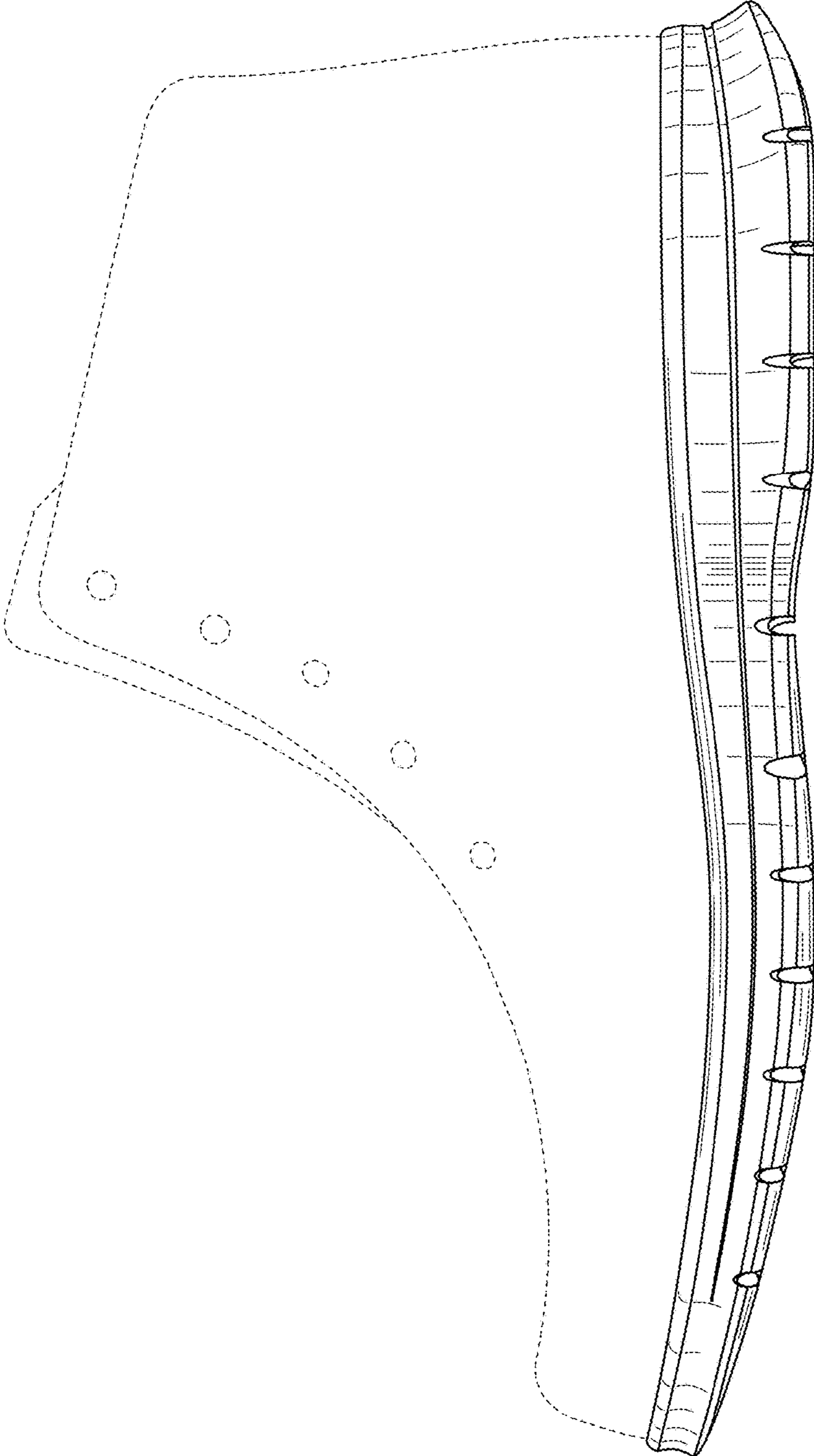


FIG. 4

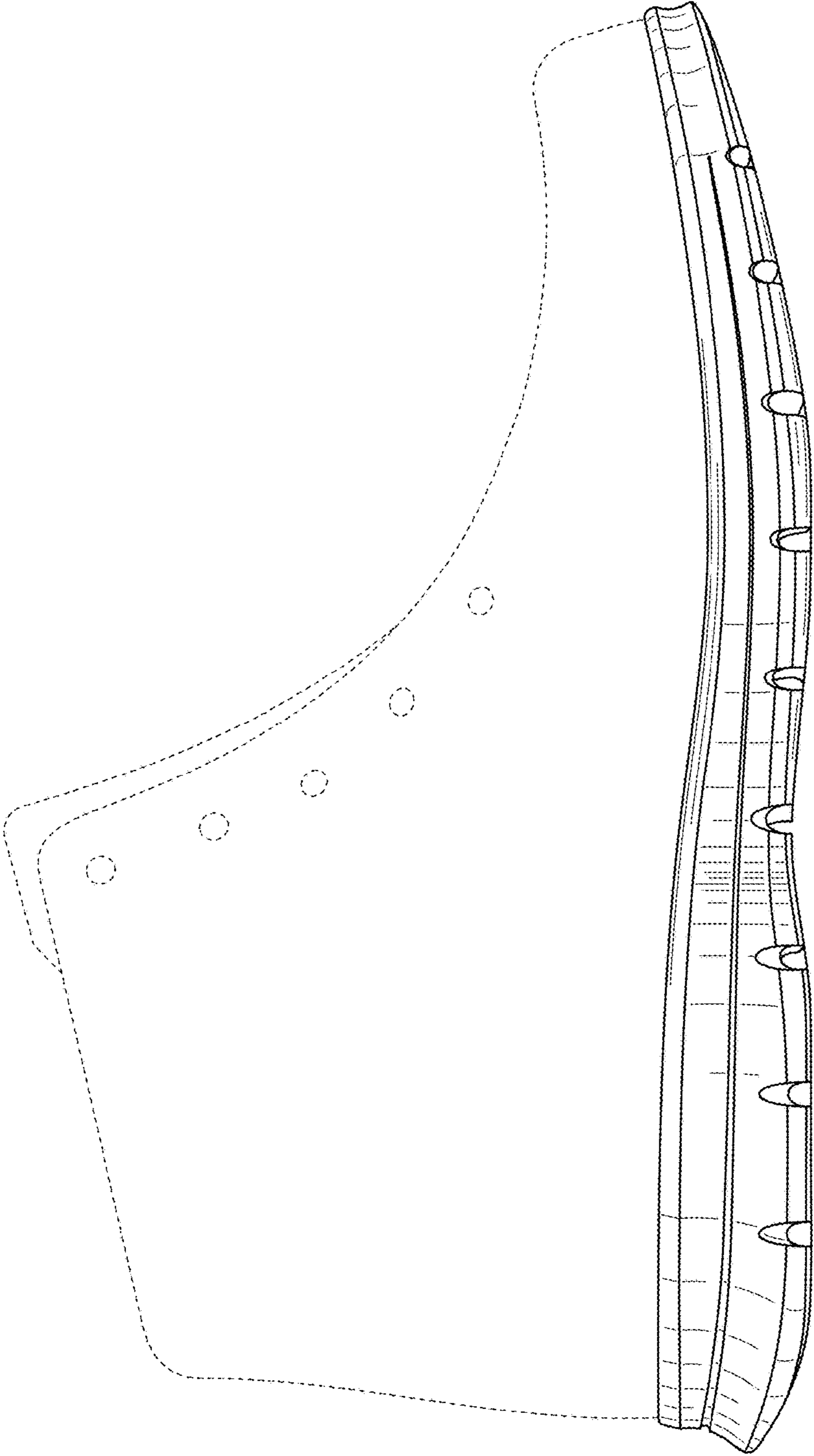


FIG. 5

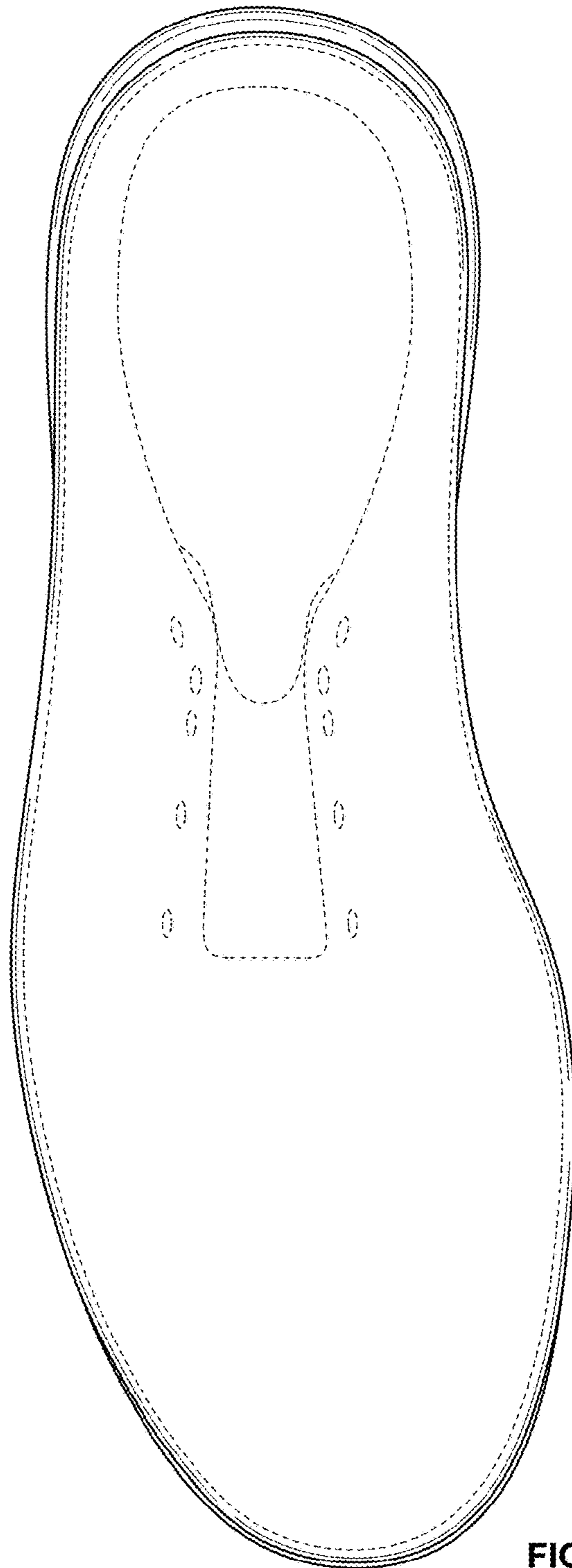


FIG. 6

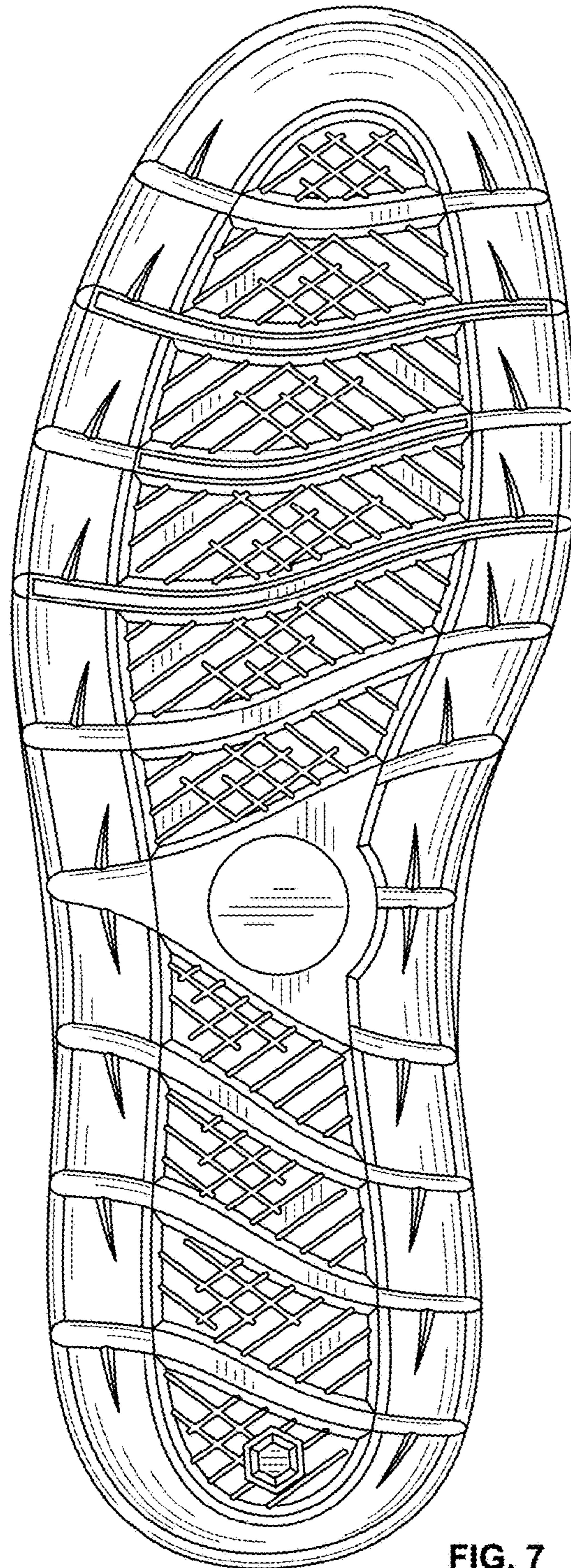


FIG. 7