



US00D843089S

(12) **United States Design Patent**
Chanthavong

(10) **Patent No.:** **US D843,089 S**

(45) **Date of Patent:** **** Mar. 19, 2019**

(54) **FOOTWEAR**

(71) Applicant: **Crocs, Inc.**, Niwot, CO (US)

(72) Inventor: **Tuee Chanthavong**, Edgewater, CO (US)

(73) Assignee: **Crocs, Inc.**, Niwot, CO (US)

(**) Term: **15 Years**

(21) Appl. No.: **29/554,117**

(22) Filed: **Feb. 8, 2016**

(51) **LOC (11) Cl.** **02-04**

(52) **U.S. Cl.**
USPC **D2/916; D2/923**

(58) **Field of Classification Search**
USPC D2/896, 898, 900, 902, 903, 906-911,
D2/916-923, 925, 926, 929, 932,
D2/938-994; 36/1, 1.5, 4, 7, 7.4, 7.5, 8,
36/8.1, 11.5, 45-58, 77, 83, 84, 87-89,
36/93, 100, 102, 104, 108, 109, 112-114,
36/123-131
CPC A43B 3/12
See application file for complete search history.

(56) **References Cited**

U.S. PATENT DOCUMENTS

D470,995 S *	3/2003	Bronga	D2/897
D473,040 S *	4/2003	Hawker	D2/896
6,993,858 B2 *	2/2006	Seamans	A43B 1/0081 36/11.5
D517,789 S *	3/2006	Seamans	D2/969
D517,790 S *	3/2006	Seamans	D2/969
D529,263 S *	10/2006	Wolf	D2/923
7,146,751 B2 *	12/2006	Seamans	A43B 1/0081 36/50.1
D545,032 S *	6/2007	Wolf	D2/923
D545,033 S *	6/2007	Wolf	D2/926
D564,184 S *	3/2008	Issler	D2/896
D564,207 S *	3/2008	Seamans	D2/972

D564,208 S	3/2008	Seamans	
D567,483 S *	4/2008	Liow D2/896
D571,547 S *	6/2008	Yang D2/969
D573,778 S *	7/2008	Hawker D2/896
D575,034 S *	8/2008	Hoyt D2/896
D575,482 S *	8/2008	Hoyt D2/896
D575,499 S *	8/2008	Seamans D2/972
D579,651 S *	11/2008	Hearn D2/972
D584,032 S *	1/2009	Jarosik D2/896
D584,042 S *	1/2009	Eisenbraun D3/218
D600,907 S *	9/2009	Boyd D3/218
D610,784 S *	3/2010	Del Biondi D2/916

(Continued)

OTHER PUBLICATIONS

“Starbay Women’s Garden Clog Shoes.” Found online Nov. 17, 2017 at www.amazon.com. Page dated Feb. 27, 2014. Retrieved from URL: <https://goo.gl/AQGKcZ> (Year: 2014).*

(Continued)

Primary Examiner — Garth Rademaker
Assistant Examiner — Katelin G Kloberg
(74) *Attorney, Agent, or Firm* — Wilmer Cutler Pickering Hale and Dorr LLP

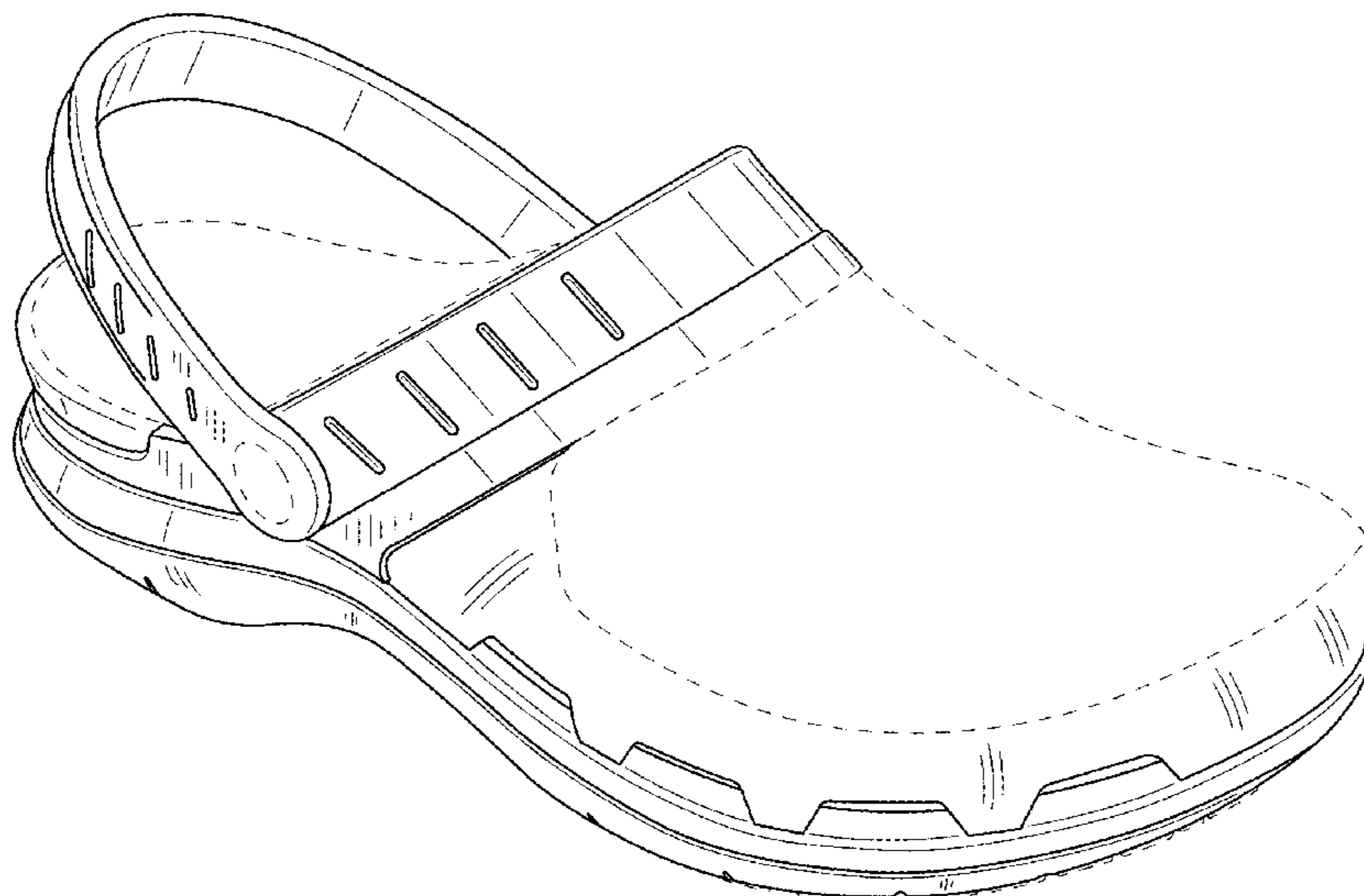
(57) **CLAIM**

The ornamental design for footwear, as shown and described.

DESCRIPTION

FIG. 1 is a front perspective view of footwear;
FIG. 2 is a front view thereof;
FIG. 3 is a back view thereof;
FIG. 4 is an outer side view thereof;
FIG. 5 is an inner side view thereof;
FIG. 6 is a top view thereof; and,
FIG. 7 is a bottom view thereof.
The portions shown in dashed lines form no part of the claimed design.

1 Claim, 6 Drawing Sheets



(56)

References Cited

U.S. PATENT DOCUMENTS

7,698,836 B2 * 4/2010 Schmelzer A43B 3/0078
24/114.11
D618,448 S * 6/2010 Hill D2/896
D621,596 S * 8/2010 Seilles D2/969
D624,289 S * 9/2010 Lambert D2/898
D624,731 S * 10/2010 Lambert D2/898
D624,733 S * 10/2010 O'Boyle D2/896
D630,825 S * 1/2011 Strauss D2/897
D635,055 S * 3/2011 Stotts D11/160
D637,382 S * 5/2011 Bathum D2/923
7,980,004 B2 * 7/2011 Klavano A43B 3/122
36/11.5
D642,773 S * 8/2011 Liow D2/896
D645,235 S * 9/2011 Carroll D2/923
D648,512 S * 11/2011 Schlageter D2/896
D648,926 S * 11/2011 Glazer D2/896
D664,753 S 8/2012 Santos
D667,612 S * 9/2012 Del Biondi D2/896
D677,039 S * 3/2013 Lubart D2/923
D677,451 S * 3/2013 Amphyon D2/947
D691,351 S * 10/2013 Pugazhenthii D2/896
D698,133 S * 1/2014 Callegarini D2/896
D698,531 S * 2/2014 Lock D2/896
D708,827 S * 7/2014 Kue D2/923
8,991,071 B2 * 3/2015 Bathum A43B 13/38
36/100
D726,397 S * 4/2015 Del Biondi D2/923
D732,808 S * 6/2015 Del Biondi D2/923
D739,125 S * 9/2015 Chanthavong D2/923
D762,953 S * 8/2016 Del Biondi D2/923
D764,153 S * 8/2016 Engerman D2/923
D801,011 S * 10/2017 Del Biondi D2/923

D821,079 S * 6/2018 Abadjian D2/961
D825,899 S * 8/2018 Engerman D2/923
2004/0231189 A1 * 11/2004 Seamans A43B 1/0081
36/3 A
2004/0231191 A1 * 11/2004 Seamans A43B 1/0081
36/11.5
2009/0050658 A1 * 2/2009 Boyd A45C 11/38
224/245
2012/0222331 A1 * 9/2012 Blunden A43B 23/24
36/102
2013/0145651 A1 * 6/2013 Bathum A43B 13/38
36/43

OTHER PUBLICATIONS

“Sunville Men’s Perforated Garden Clog Shoes.” Found online Nov. 17, 2017 at www.amazon.com. Page dated Jun. 30, 2015. Retrieved from URL: https://www.amazon.com/Sunville-Mens-Perforated-Garden-Shoes/dp/B01NBSLTGY/ref=pd_sim_309_7?_encoding=UTF8&refRID=XB19CQ671CEA0K09CBQ5&th=1 (Year: 2015).*

“Sara Z Womens Rubber Foam Slingback Clogs with Ventilated Upper Size.” Found online Nov. 17, 2017 at www.amazon.com. Page dated Feb. 15, 2017. Retrieved from URL: https://www.amazon.com/dp/B06WLM7829/ref=sspa_dk_detail_3?psc=1 (Year: 2017).*

“Zack & Evan Boys Rubber Foam Slingback Clogs with Ventilated Upper Size.” Found online Nov. 17, 2017 at www.amazon.com. Page dated Feb. 15, 2017. Retrieved from URL: https://www.amazon.com/Zack-Evan-Rubber-Slingback-Ventilated/dp/B06WP6GRJZ/ref=pd_sim_309_8?_encoding=UTF8&refRID=XB19CQ671CEA0K09CBQ5 (Year: 2017).*

* cited by examiner

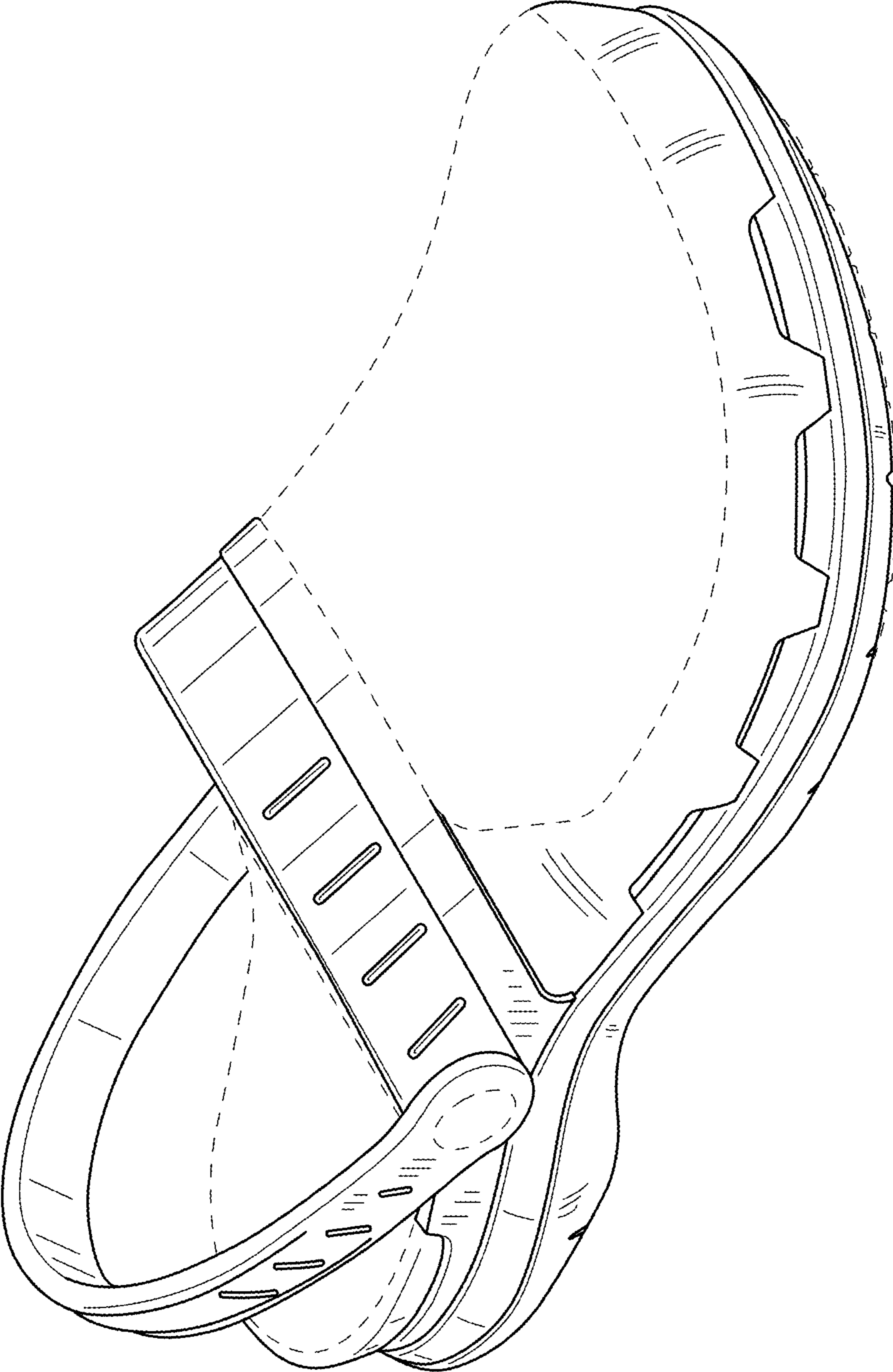


FIG.1

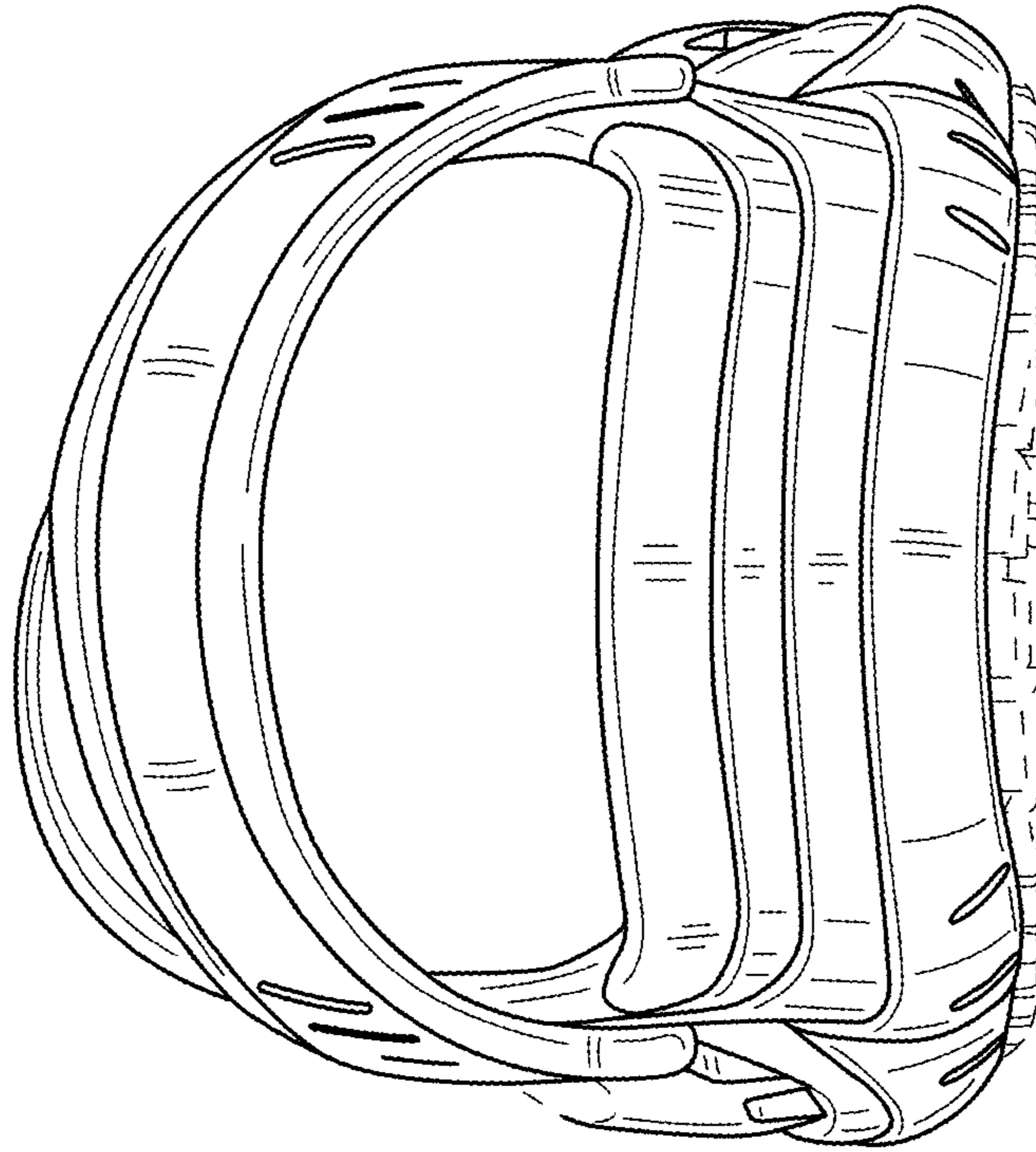


FIG.3

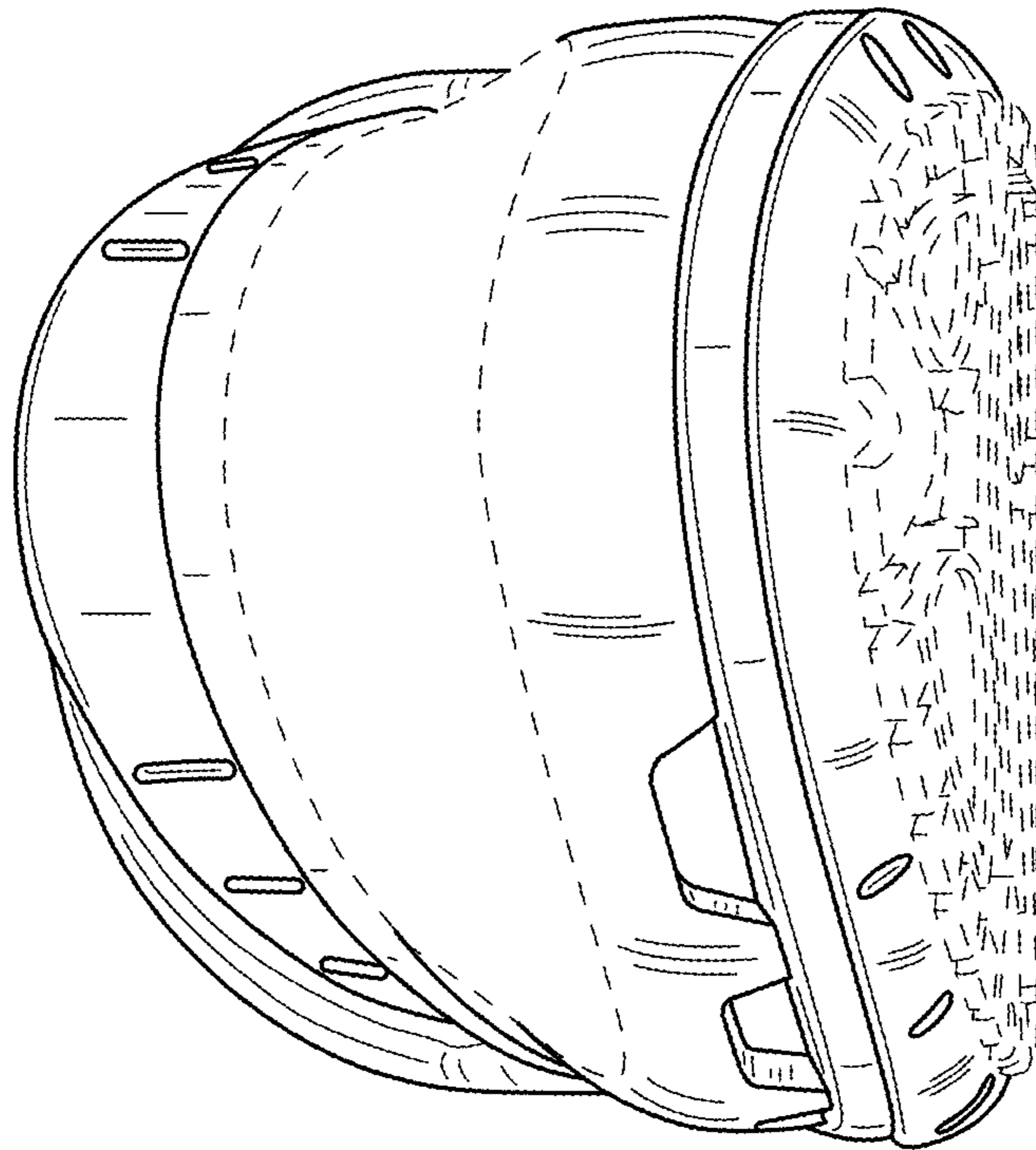


FIG.2

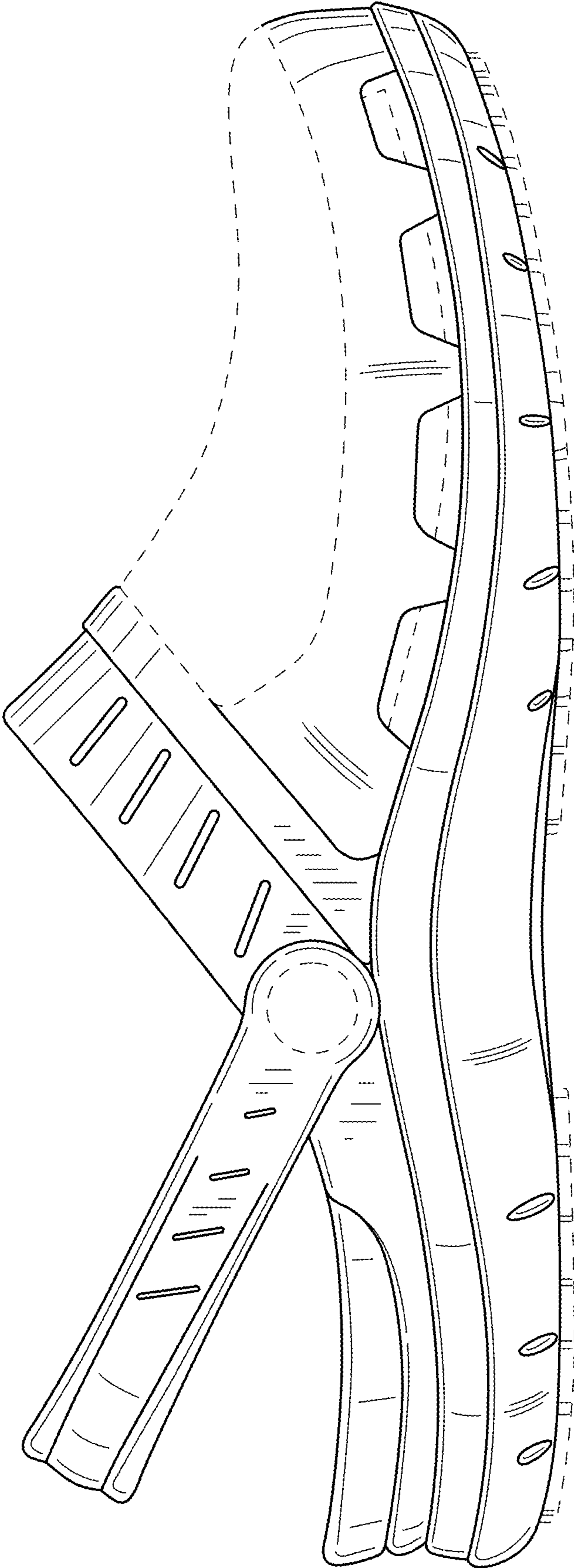


FIG.4

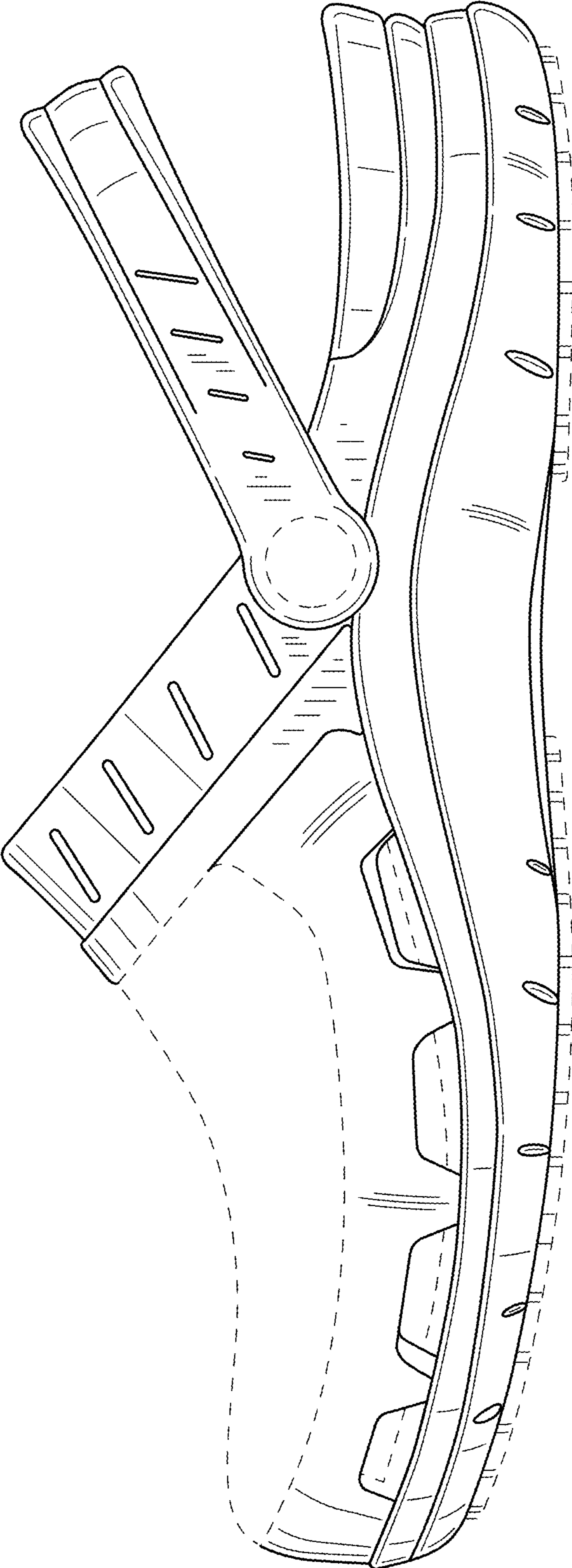


FIG.5

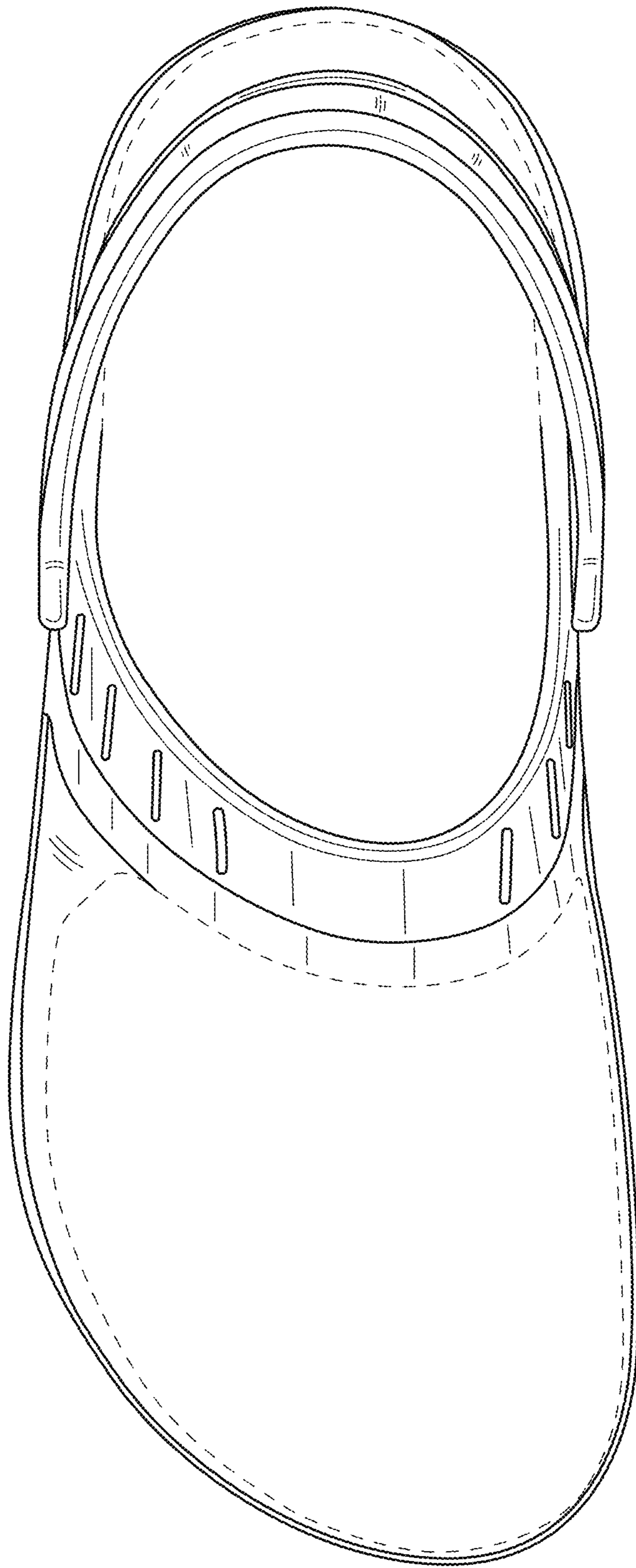


FIG.6

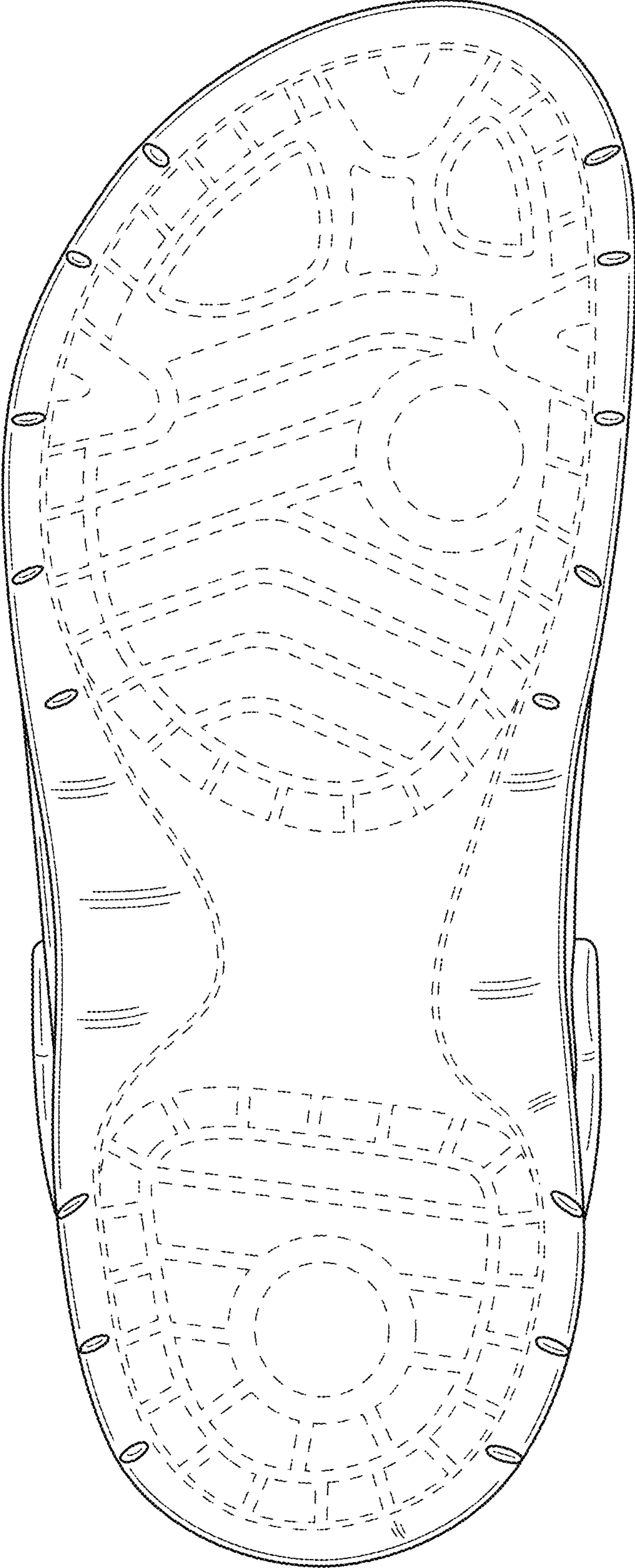


FIG.7