



US00D843085S

(12) **United States Design Patent** (10) **Patent No.:** **US D843,085 S**
Cole (45) **Date of Patent:** **** Mar. 19, 2019**

(54) **JEANS WITH LEG POCKET**
(71) Applicant: **Marilyn L. Cole**, Fort Worth, TX (US)
(72) Inventor: **Marilyn L. Cole**, Fort Worth, TX (US)
(**) Term: **15 Years**
(21) Appl. No.: **29/625,204**
(22) Filed: **Nov. 7, 2017**
(51) **LOC (11) Cl.** **02-02**
(52) **U.S. Cl.**
USPC **D2/742**
(58) **Field of Classification Search**
USPC D2/742; 2/79, 227
CPC A41D 1/067; A41D 1/08; A41D 15/002;
A41D 15/005; A41C 1/06
See application file for complete search history.

(56) **References Cited**
U.S. PATENT DOCUMENTS
6,789,269 B1 * 9/2004 Scovin A41D 1/06
2/227
D614,378 S * 4/2010 Viola D2/742
D616,630 S * 6/2010 Christiansen D2/742
D647,689 S * 11/2011 Girbaud D2/742
D674,991 S * 1/2013 Kelly D2/742
D784,656 S * 4/2017 Carvalho D2/742
D787,158 S * 5/2017 Lago D2/742
D787,159 S * 5/2017 Lago D2/742
D788,408 S * 6/2017 Lago D2/742
D803,523 S * 11/2017 Wang D2/742
2015/0282535 A1 * 10/2015 Rowe A41D 1/067
2/237
2015/0313302 A1 * 11/2015 Boyle A41D 1/08
2/228
2016/0317853 A1 * 11/2016 Benocci A63B 21/0557
2018/0168250 A1 * 6/2018 Ly A41D 1/06

* cited by examiner

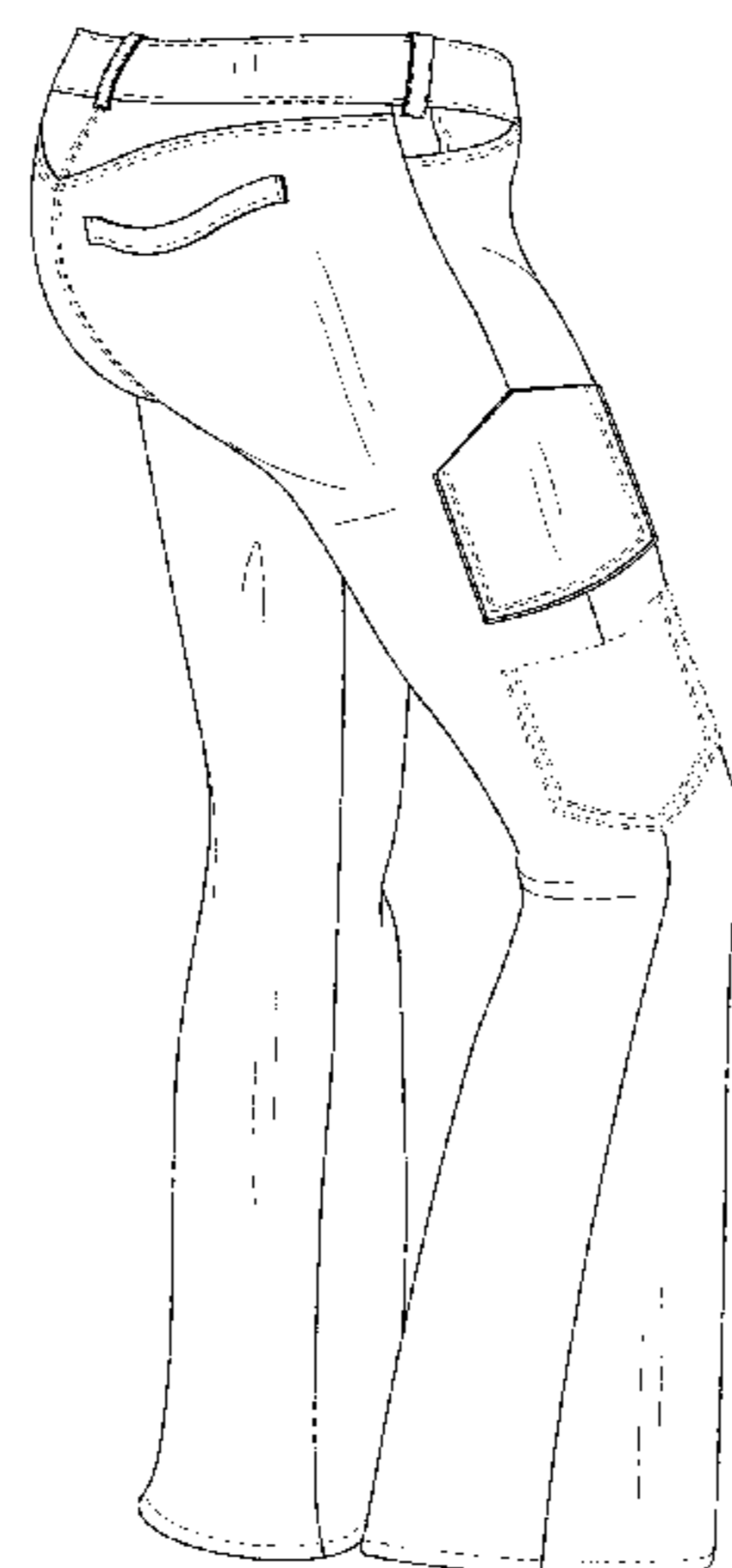
Primary Examiner — Robin V Webster
Assistant Examiner — J. Thorn, Sr.
(74) *Attorney, Agent, or Firm* — Quickpatents, LLC;
Kevin Prince

(57) **CLAIM**
I claim the ornamental design for a jeans with leg pocket, as shown and described.

DESCRIPTION

FIG. 1 is a rear perspective view of a jeans with leg pocket, showing a first embodiment of my new design;
FIG. 2 is a front elevational view of FIG. 1;
FIG. 3 is a rear elevational view of FIG. 1;
FIG. 4 is a left-side elevational view of FIG. 1;
FIG. 5 is a right-side elevational view of FIG. 1;
FIG. 6 is a top plan view of FIG. 1;
FIG. 7 is a bottom plan view of FIG. 1;
FIG. 8 is a front perspective view of the jeans with leg pocket; shown in a second embodiment;
FIG. 9 is a front elevational view of FIG. 8;
FIG. 10 is a rear elevational view of FIG. 8;
FIG. 11 is a left-side elevational view of FIG. 8;
FIG. 12 is a right-side elevational view of FIG. 8;
FIG. 13 is a top plan view of FIG. 8;
FIG. 14 is a bottom plan view of FIG. 8;
FIG. 15 is a front perspective view of the jeans with a leg pocket, shown in a third embodiment;
FIG. 16 is a front elevational view of FIG. 15;
FIG. 17 is a rear elevational view of FIG. 15;
FIG. 18 is a left-side elevational view of FIG. 15;
FIG. 19 is a right-side elevational view of FIG. 15;
FIG. 20 is a top plan view of FIG. 15; and,
FIG. 21 is a bottom plan view of FIG. 15.
The dot-dash broken lines showing pockets in the figures depict portions of the jeans that form no part of the claimed design. The remaining broken lines represent stitching, and are part of the claimed design.

1 Claim, 15 Drawing Sheets



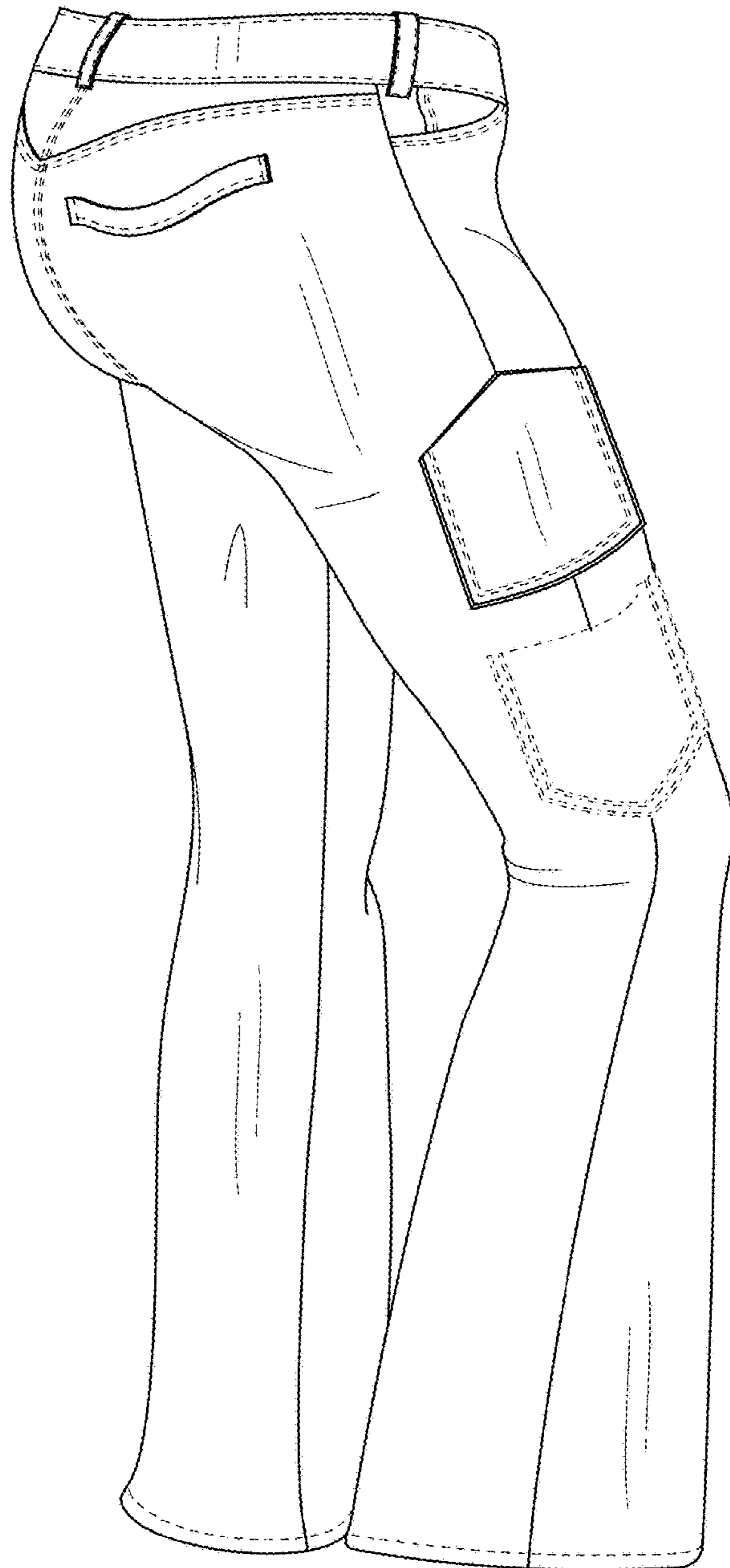


FIG. 1

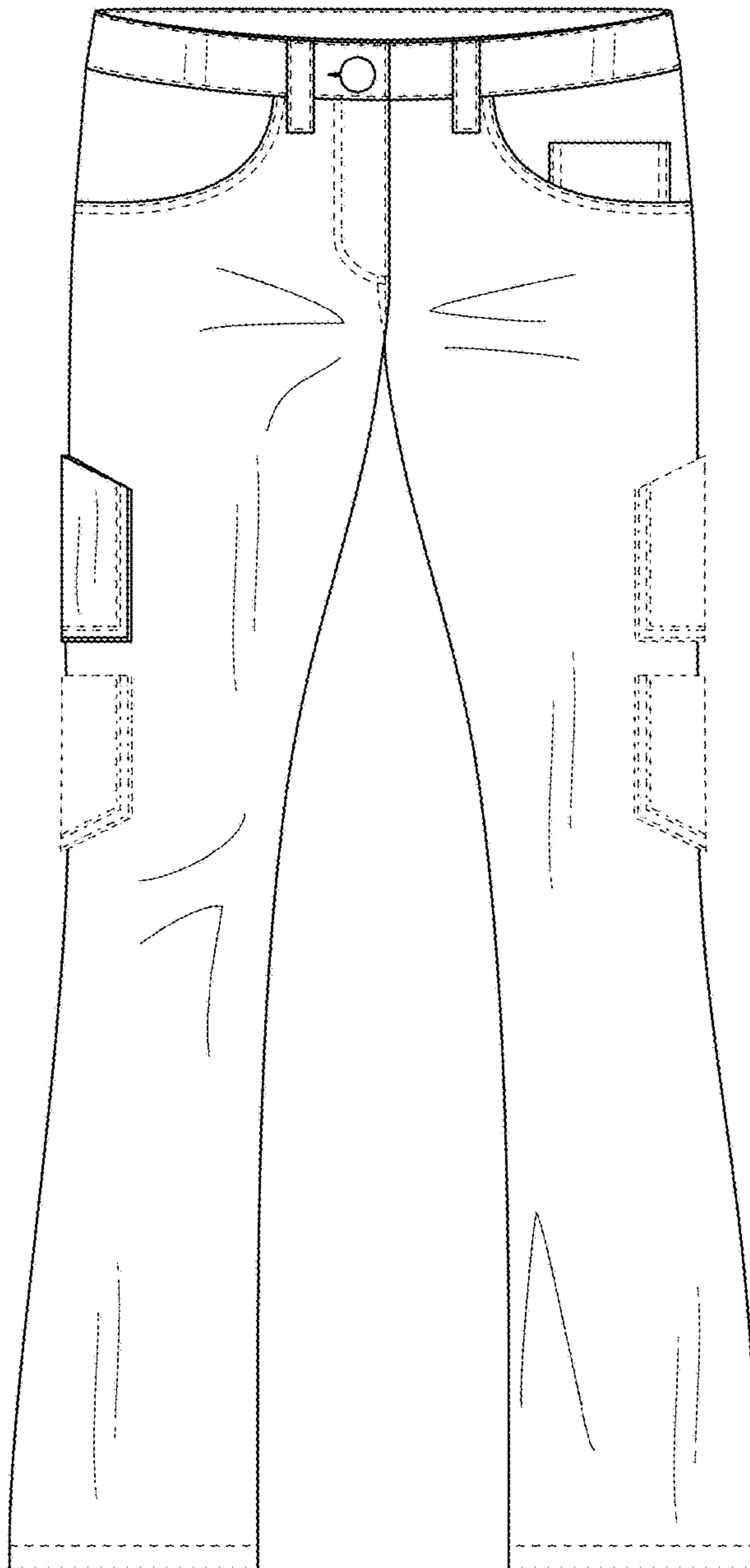


FIG. 2

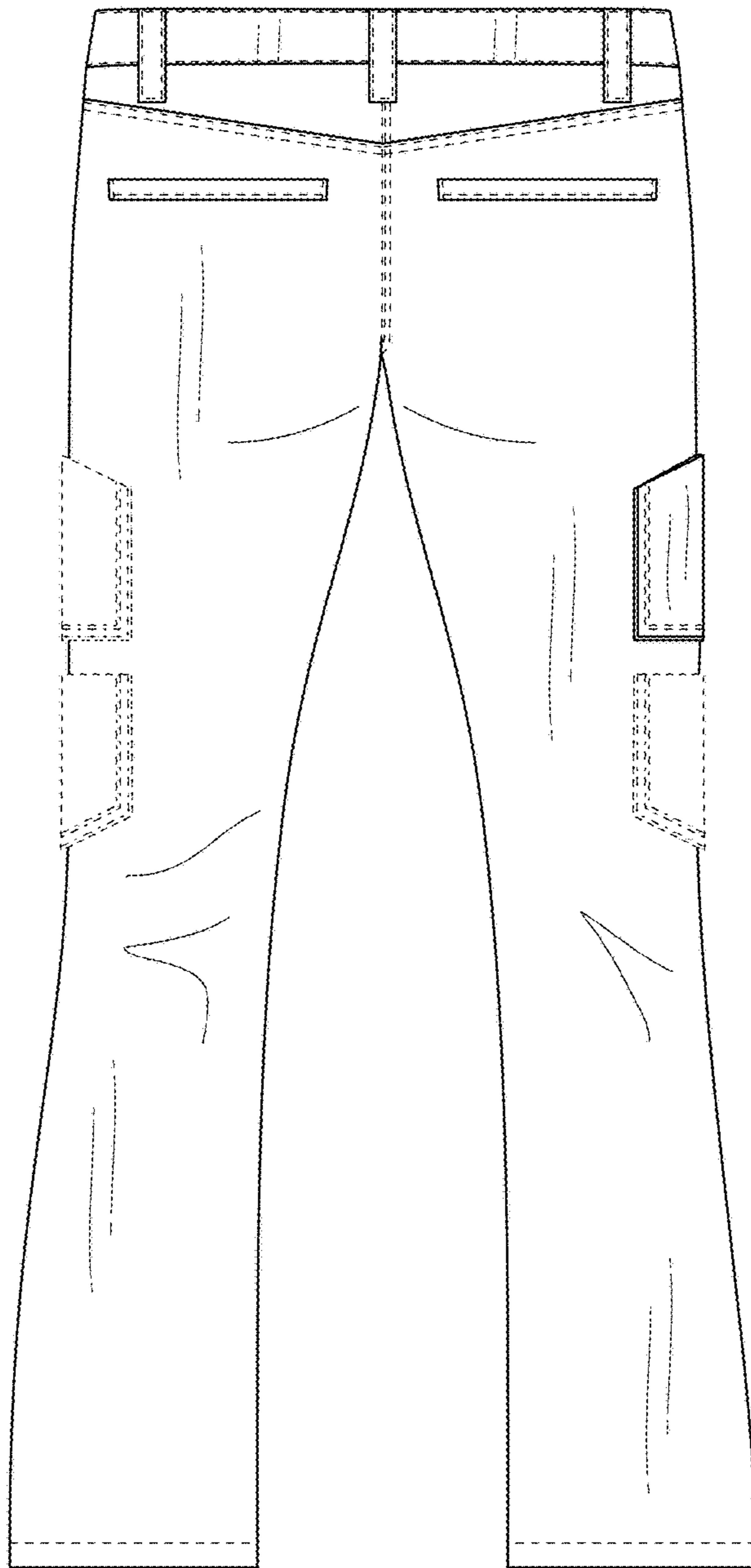


FIG. 3

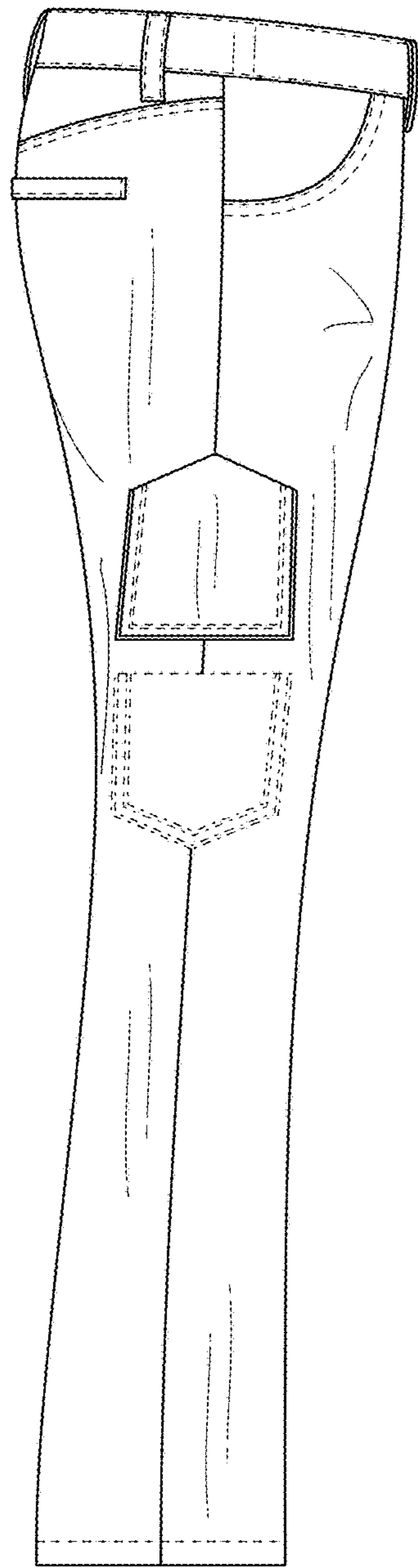


FIG. 4

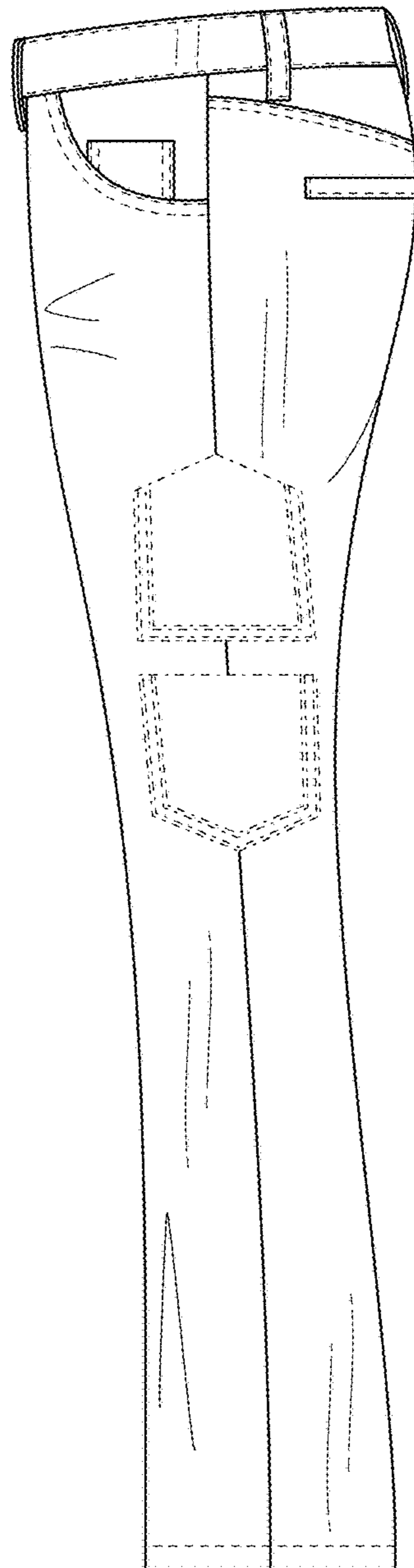


FIG. 5

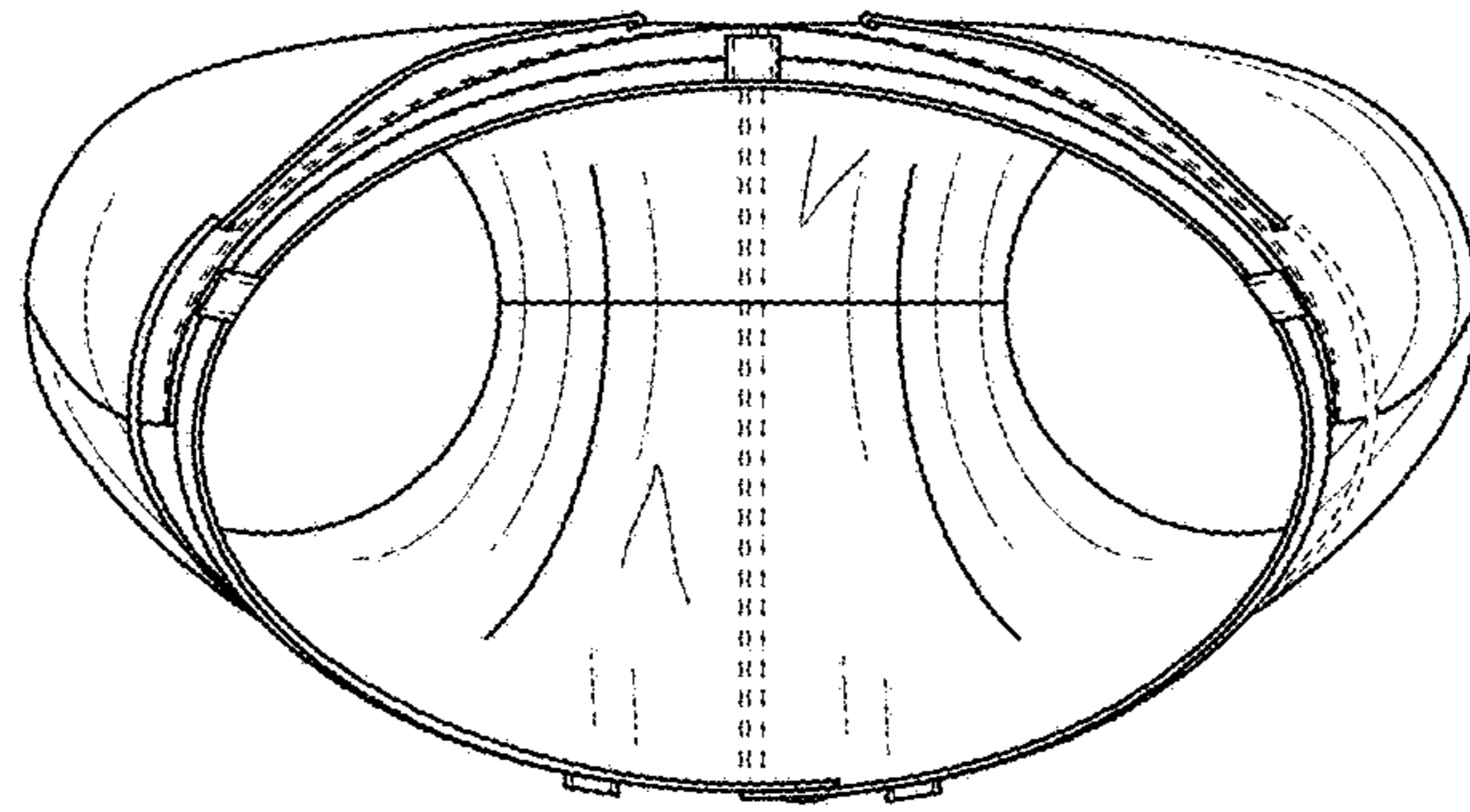


FIG. 6

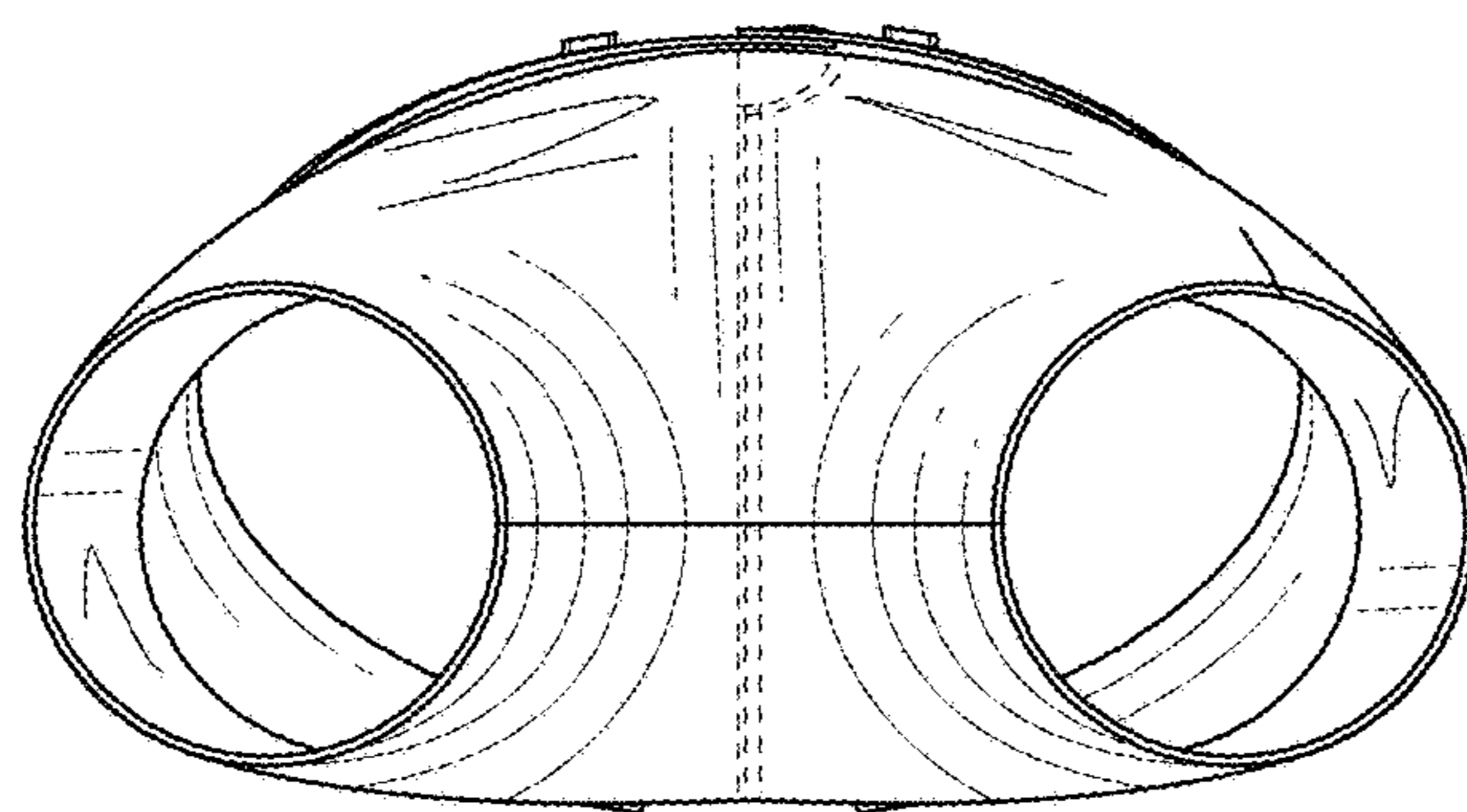


FIG. 7

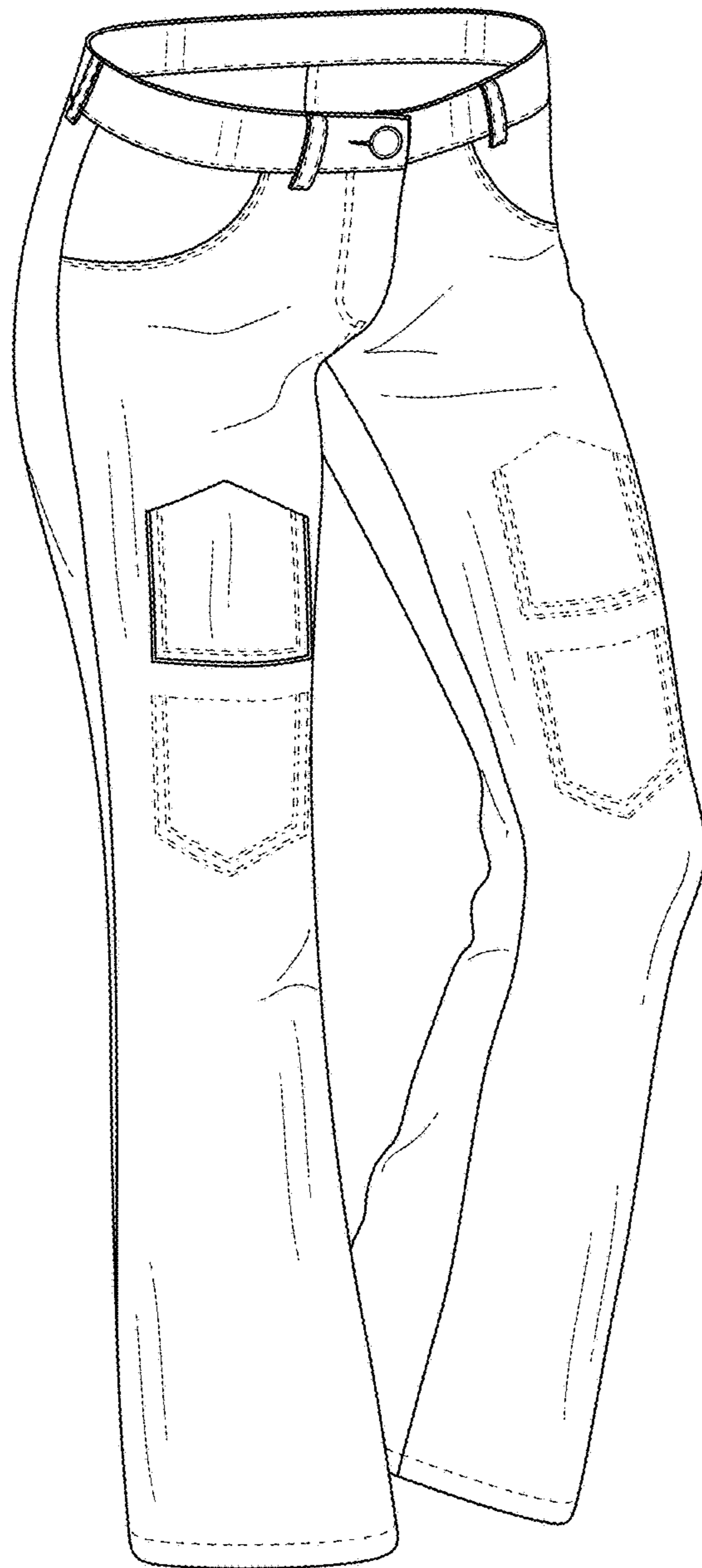


FIG. 8

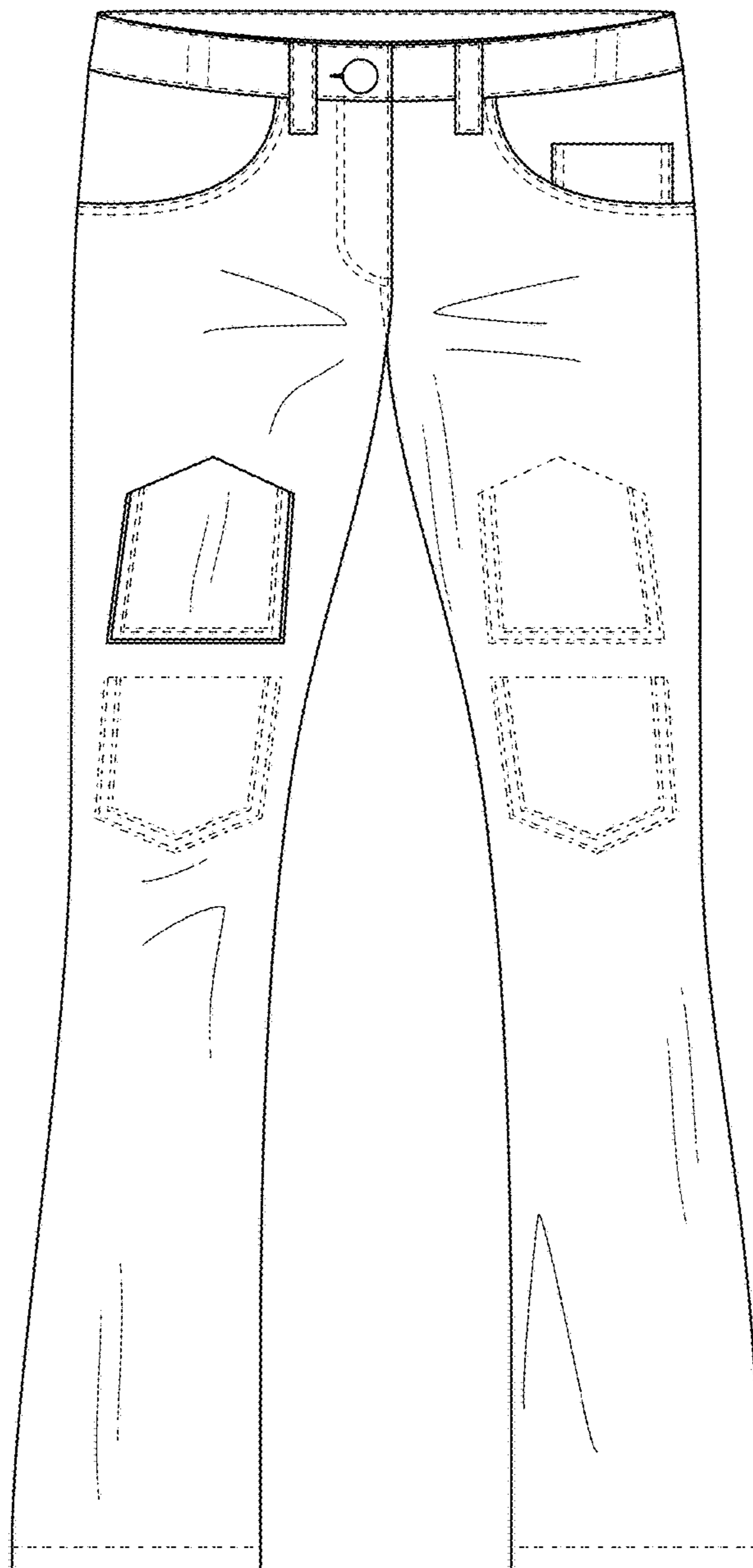


FIG. 9

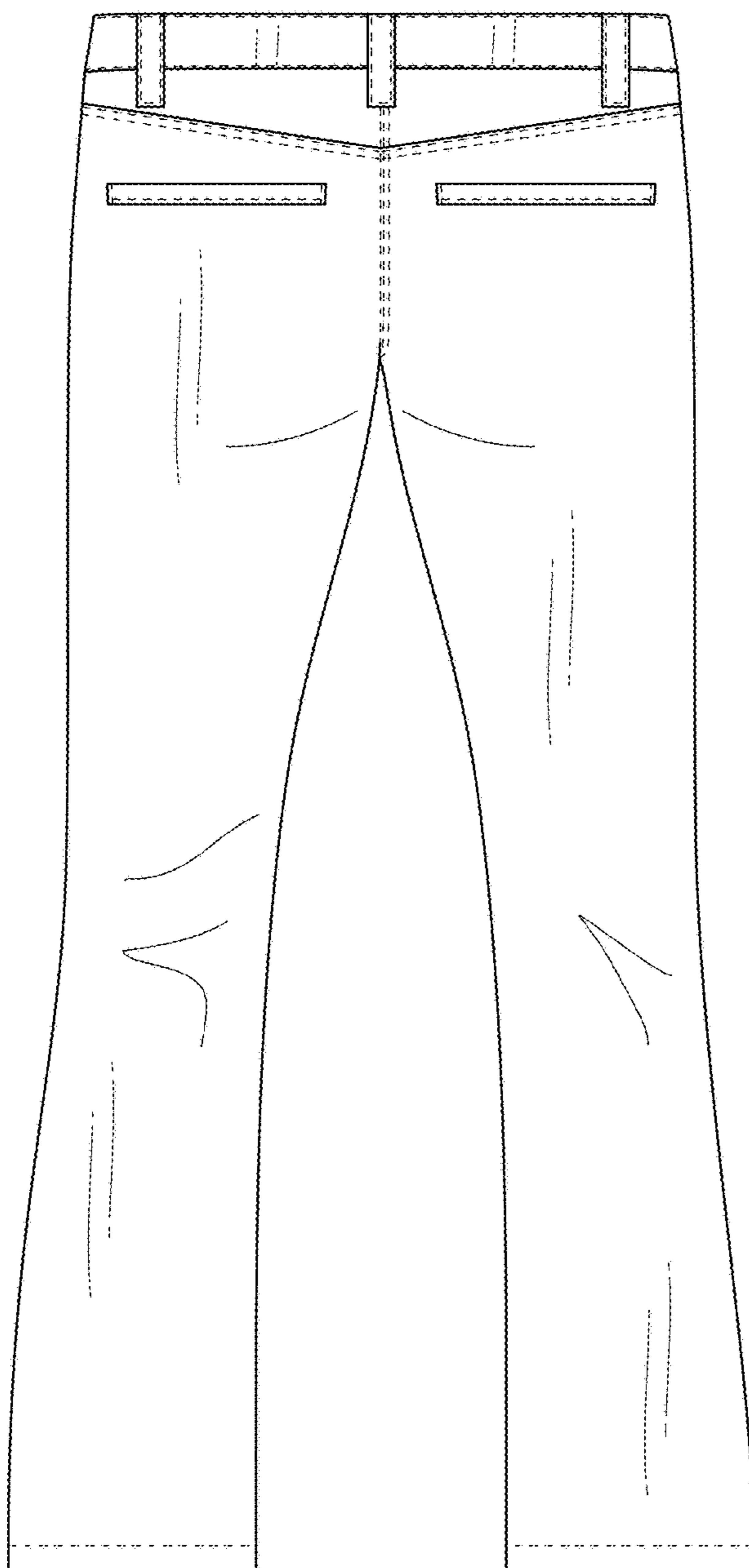


FIG. 10

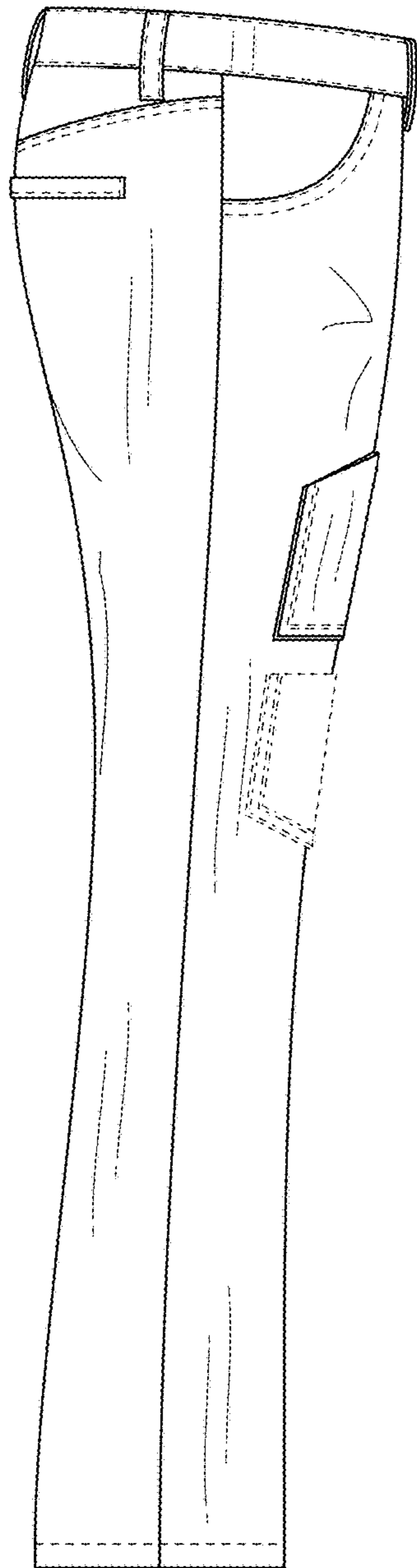


FIG. 11

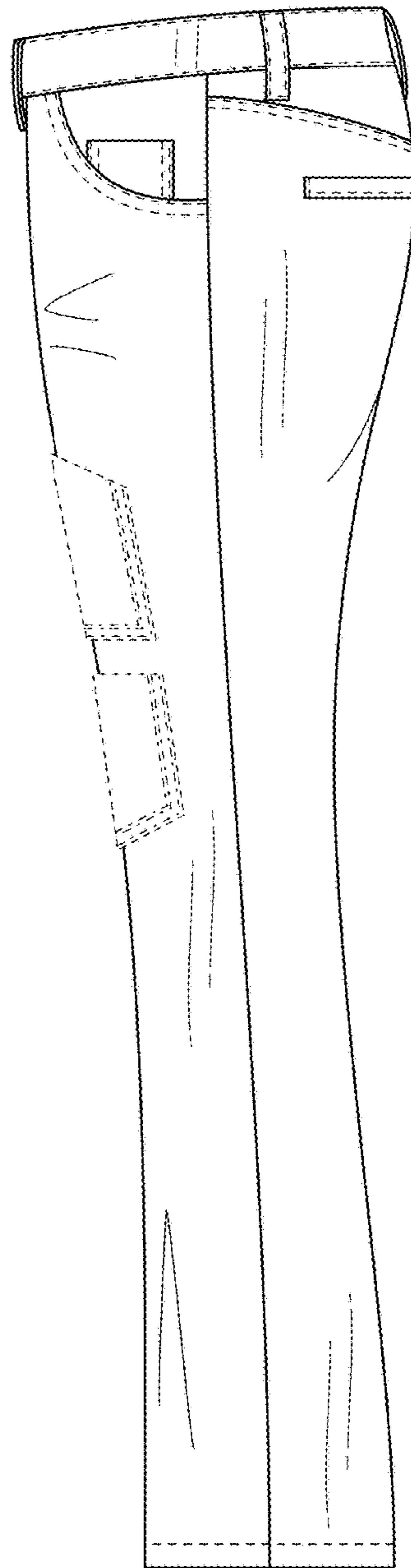


FIG. 12

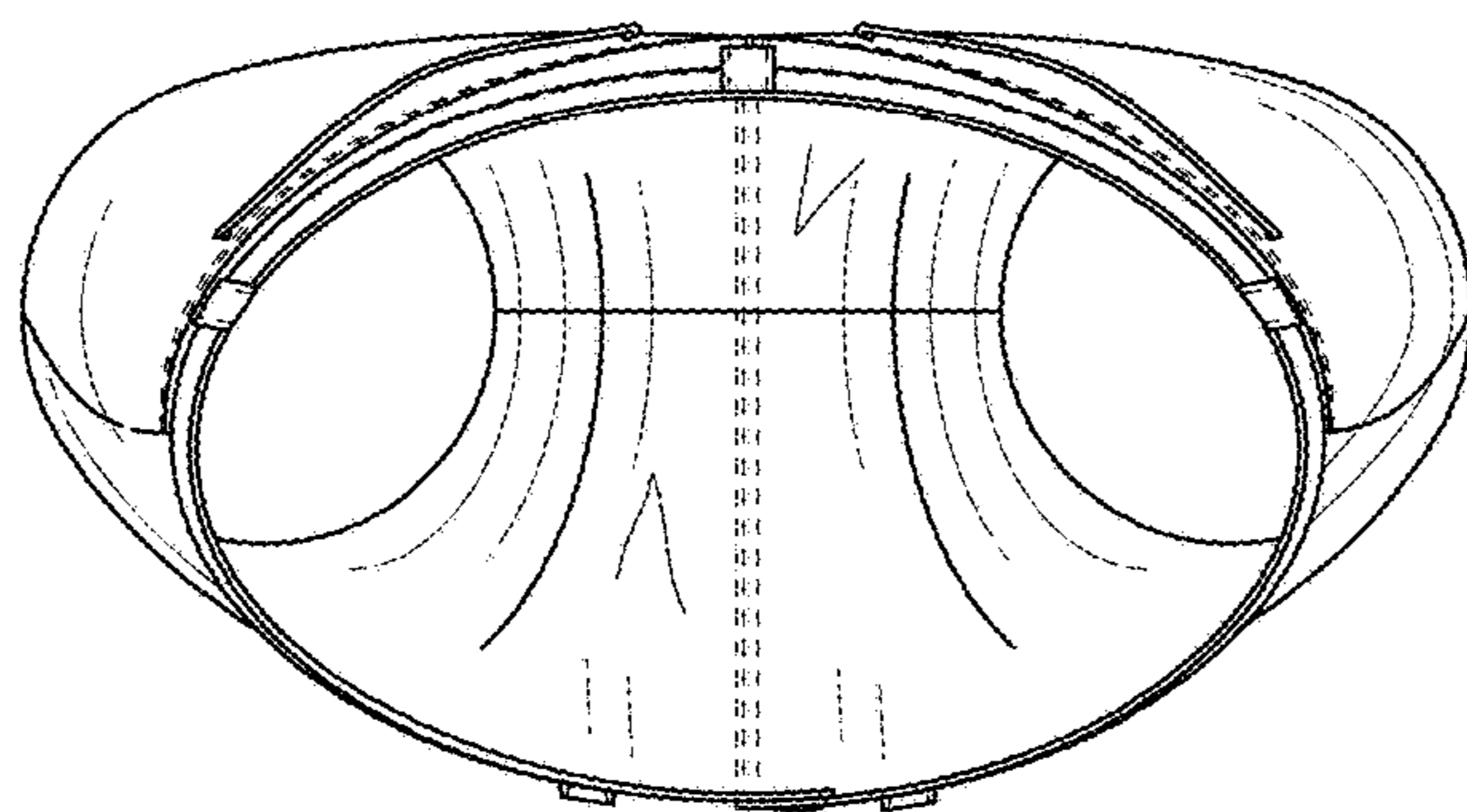


FIG. 13

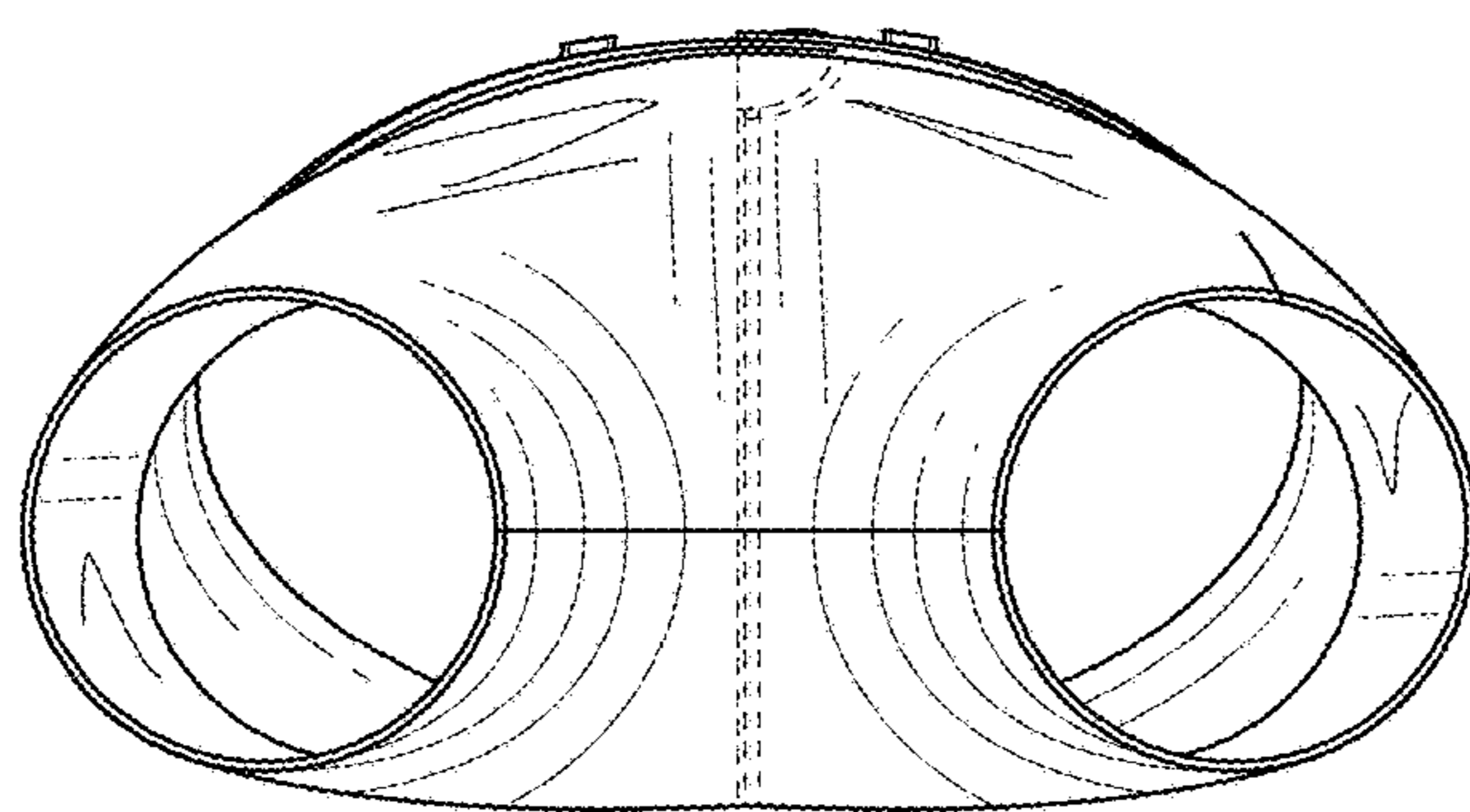


FIG. 14

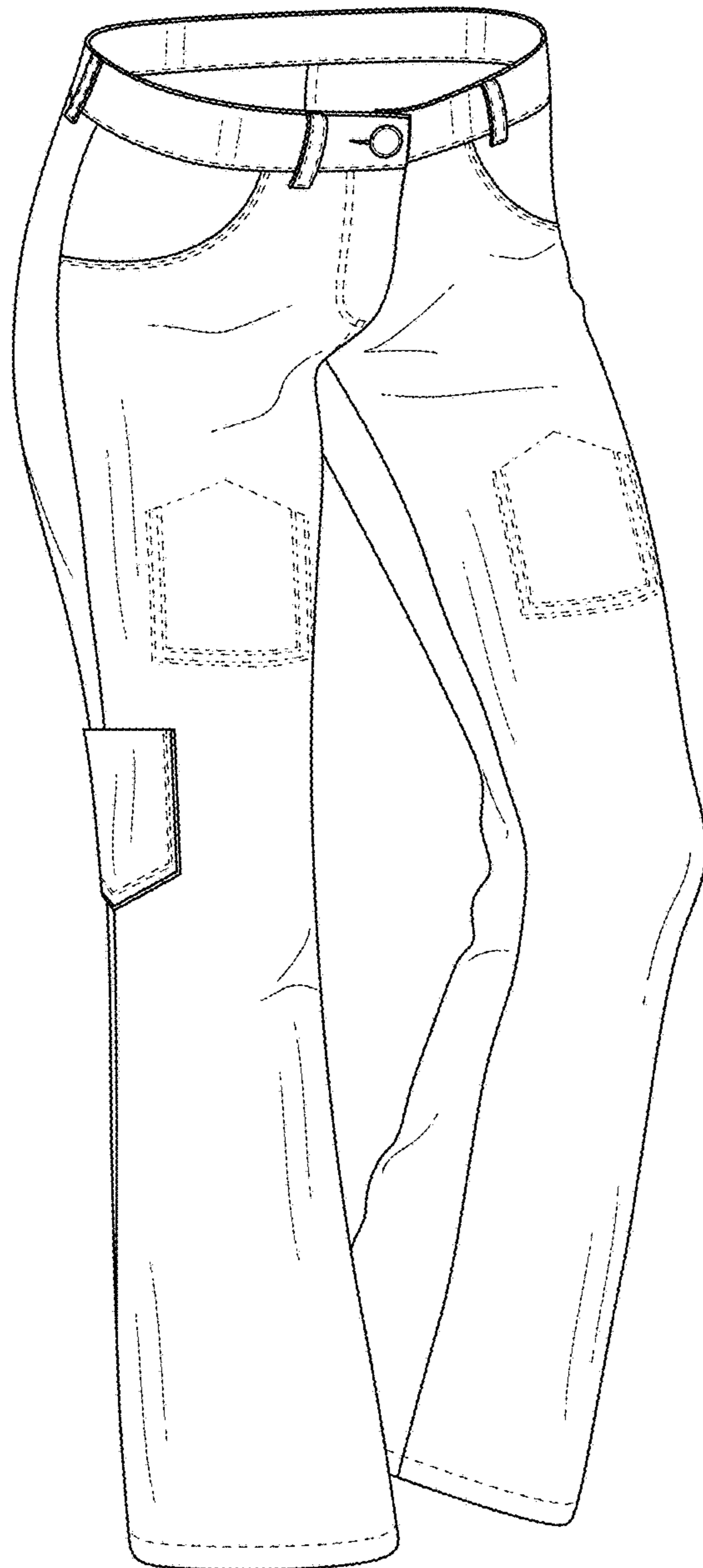


FIG. 15

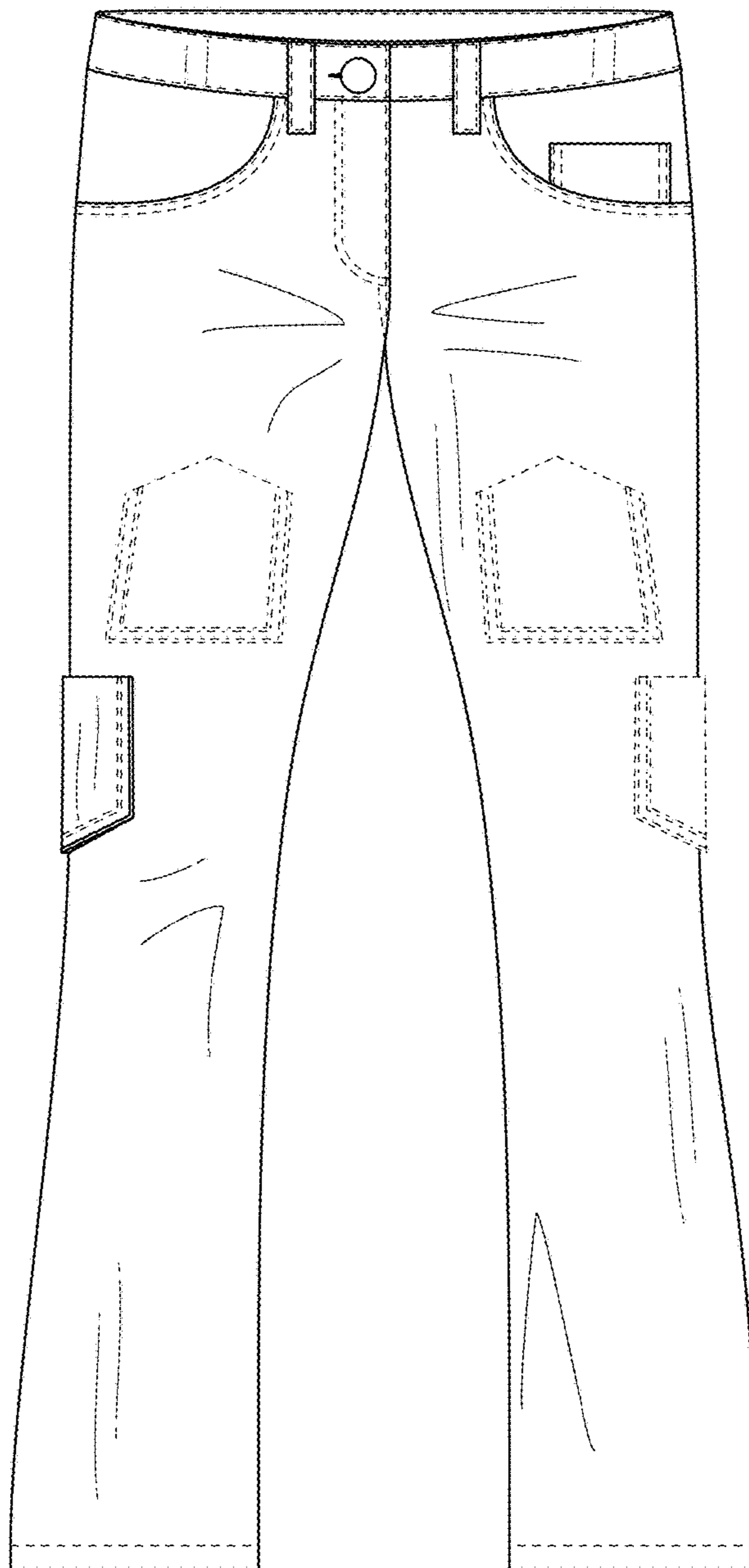


FIG. 16

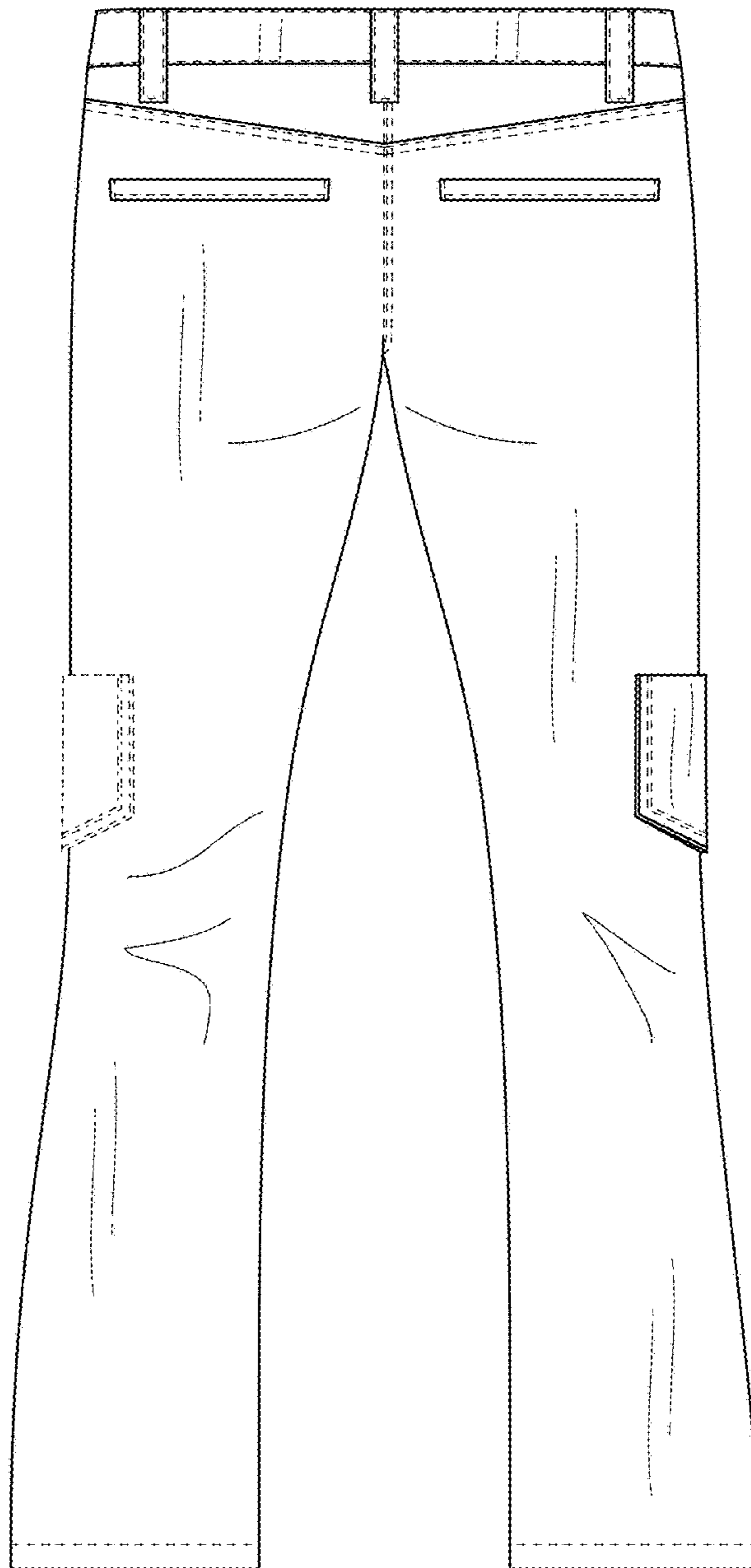


FIG. 17

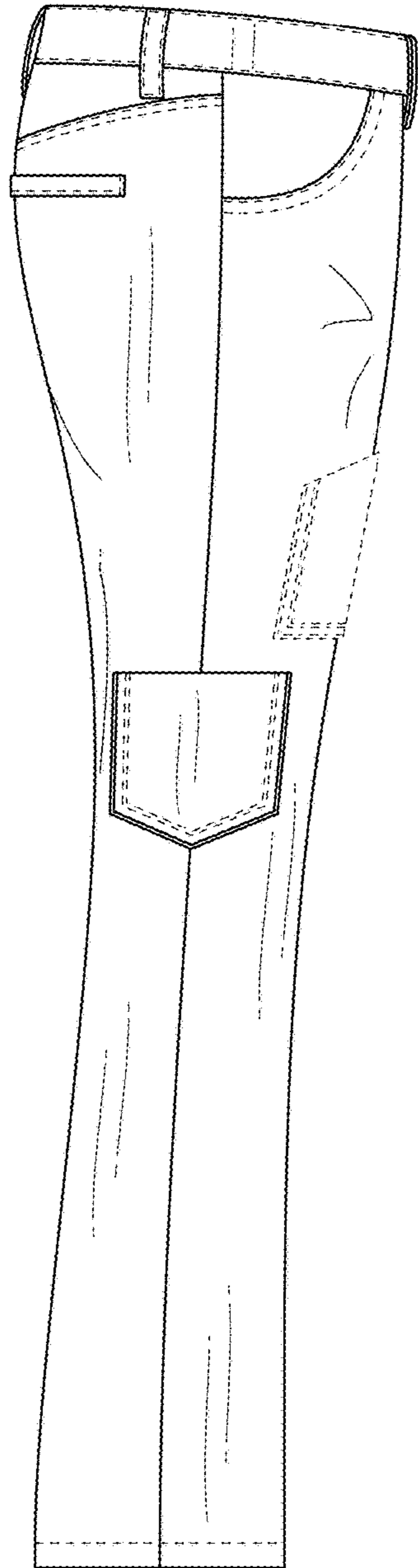


FIG. 18

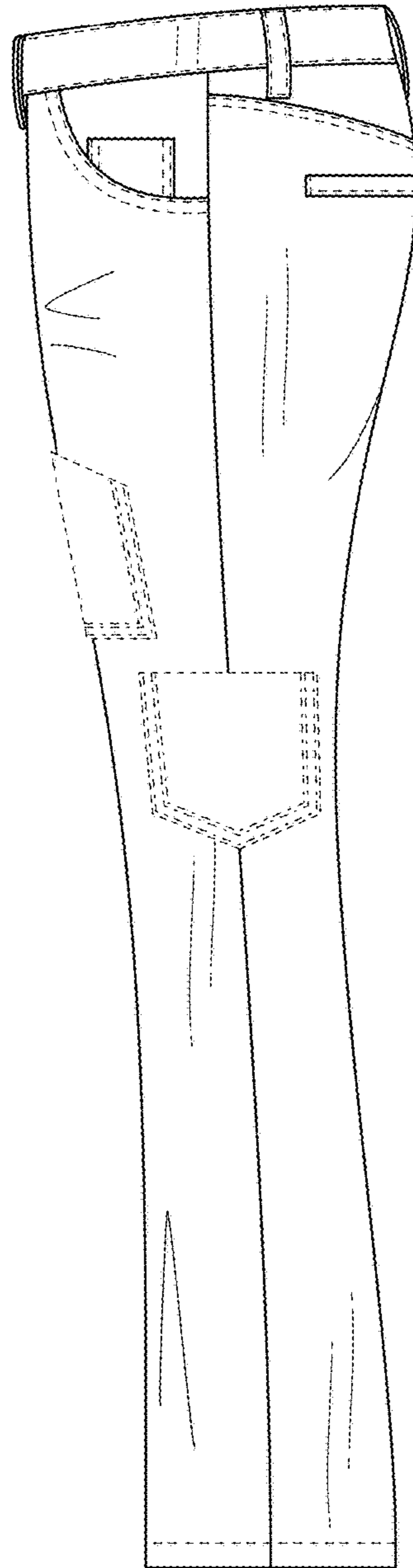


FIG. 19

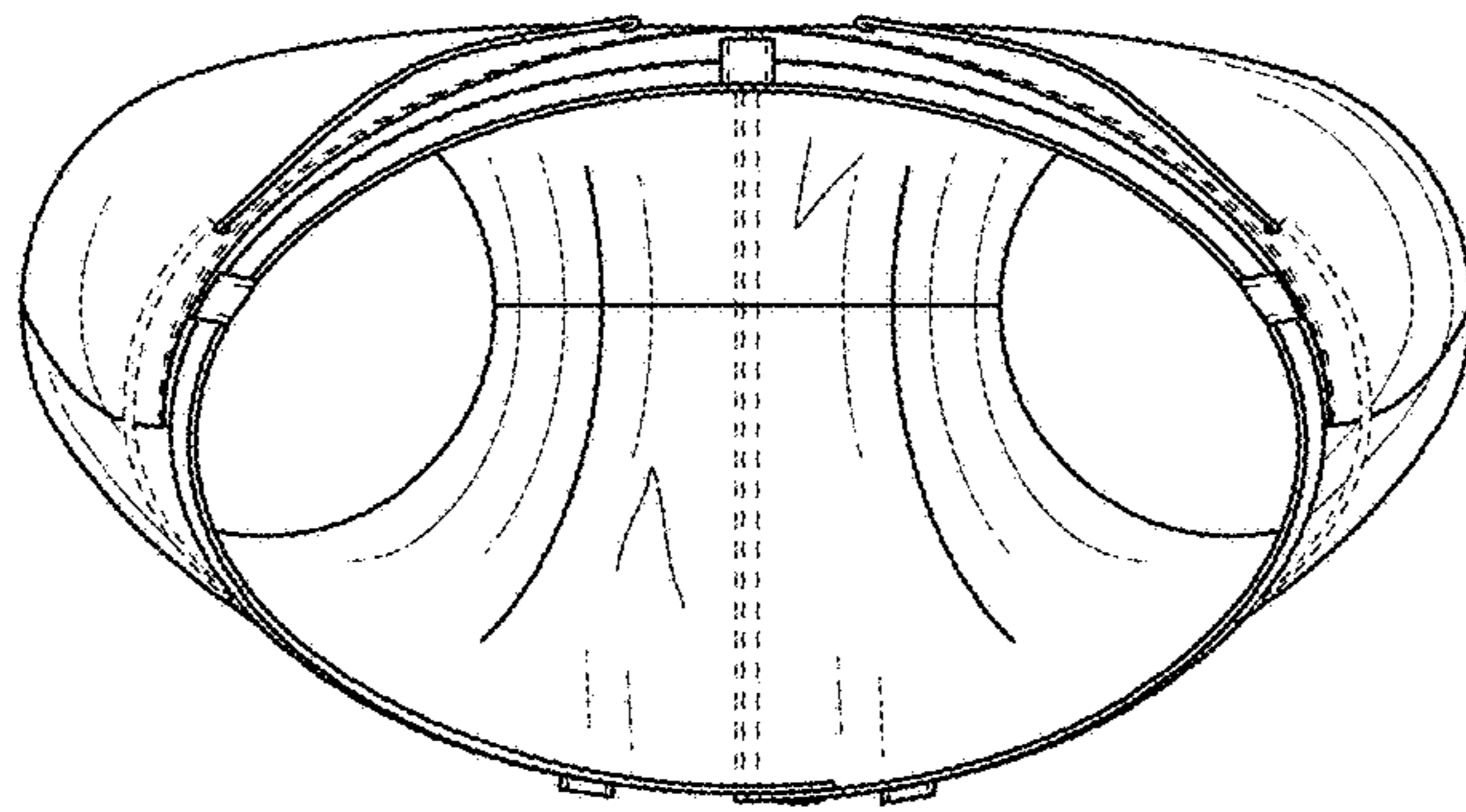


FIG. 20

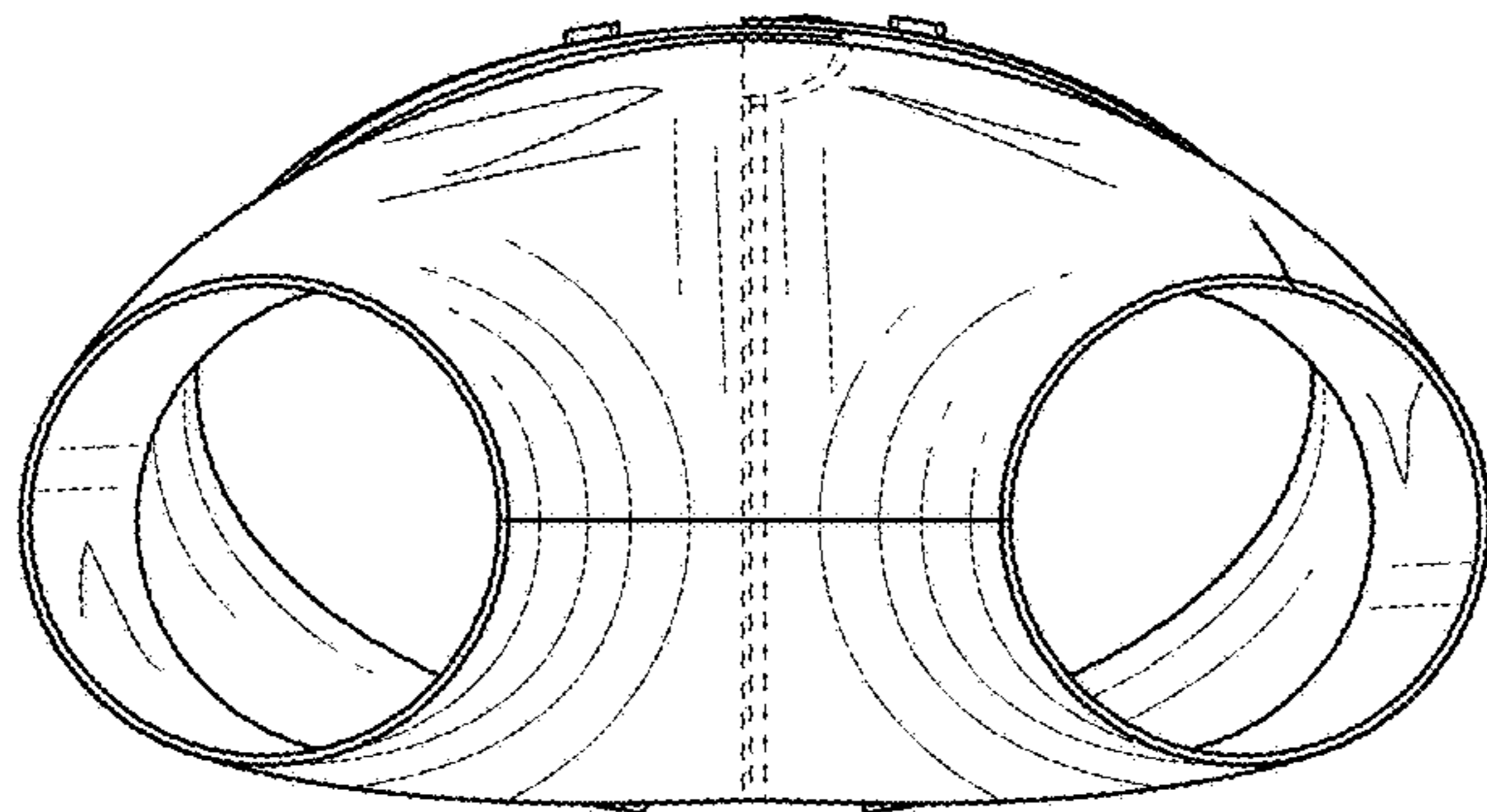


FIG. 21