



US00D843079S

(12) **United States Design Patent**
Sheesley

(10) **Patent No.:** **US D843,079 S**

(45) **Date of Patent:** **** Mar. 12, 2019**

(54) **PLUNGER DEVICE**

(71) Applicant: **John M. Sheesley**, San Antonio, TX
(US)

(72) Inventor: **John M. Sheesley**, San Antonio, TX
(US)

(73) Assignee: **Can Do Logistics LLC**, Berlin, WI
(US)

(**) Term: **15 Years**

(21) Appl. No.: **29/535,829**

(22) Filed: **Aug. 11, 2015**

Related U.S. Application Data

(63) Continuation of application No. 14/749,591, filed on
Jun. 24, 2015, now Pat. No. 9,309,064.

(51) **LOC (11) Cl.** **12-05**

(52) **U.S. Cl.**
USPC **D34/28**

(58) **Field of Classification Search**
USPC D34/28, 31, 34, 35; 92/61, 85 B, 169.1,
92/169.2, 155; D15/5, 7; 187/226;
91/396; 298/17.6

CPC .. B66F 9/22; B66F 3/24; B66F 9/0655; B66F
11/046; B66F 9/205

See application file for complete search history.

(56) **References Cited**

U.S. PATENT DOCUMENTS

D561,424 S * 2/2008 Drake D34/31
8,118,368 B1 * 2/2012 Rogers B60P 1/165
298/17.6

9,309,064 B2 * 4/2016 Sheesley B65D 88/129
D789,015 S * 6/2017 Shu D34/28
D790,796 S * 6/2017 Alanko D34/31
D793,648 S * 8/2017 Jiang D34/28
2009/0288553 A1 * 11/2009 Gaus F15B 15/1433
92/169.1
2010/0077916 A1 * 4/2010 Brunn F15B 15/224
91/396
2015/0226329 A1 * 8/2015 Bedeschi F15B 15/1428
92/169.2

* cited by examiner

Primary Examiner — Cynthia Ramirez

Assistant Examiner — Gino Colan

(74) *Attorney, Agent, or Firm* — Christopher M. Scherer;
DeWitt LLP

(57) **CLAIM**

The ornamental design for a plunger device, as shown and
described.

DESCRIPTION

FIG. 1 is a front view of a plunger device showing my new
design.

FIG. 2 is a left-side elevation view of FIG. 1.

FIG. 3 is a top view of FIG. 1.

FIG. 4 is a bottom view of FIG. 1.

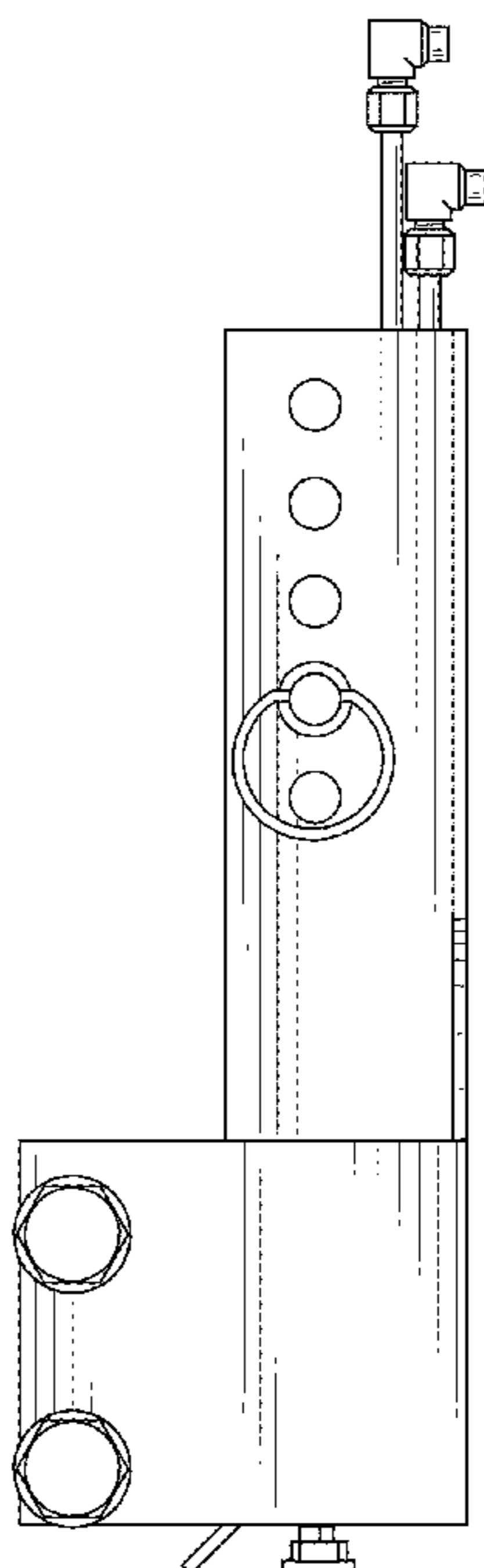
FIG. 5 is a right-side elevation view of FIG. 1.

FIG. 6 is a back view of FIG. 1; and,

FIG. 7 is a frontal perspective view of the plunger device.

The broken lines shown in the figures are for the purpose of
illustrating portions of the plunger device that form no part
of the claimed design.

1 Claim, 6 Drawing Sheets



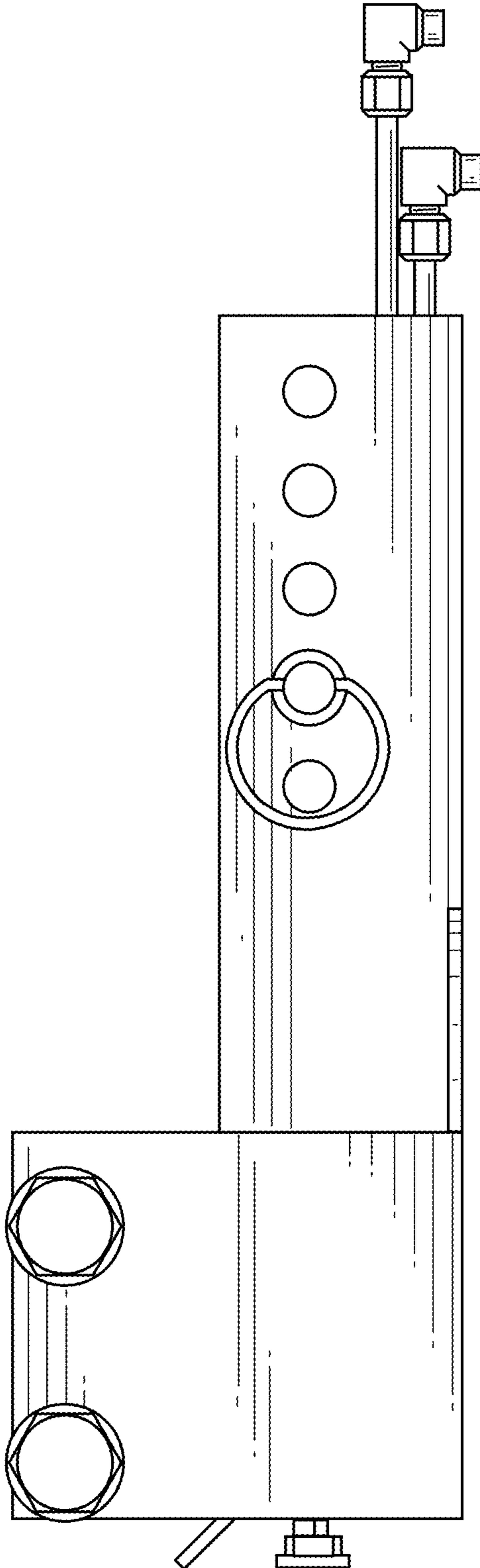


FIG. 1

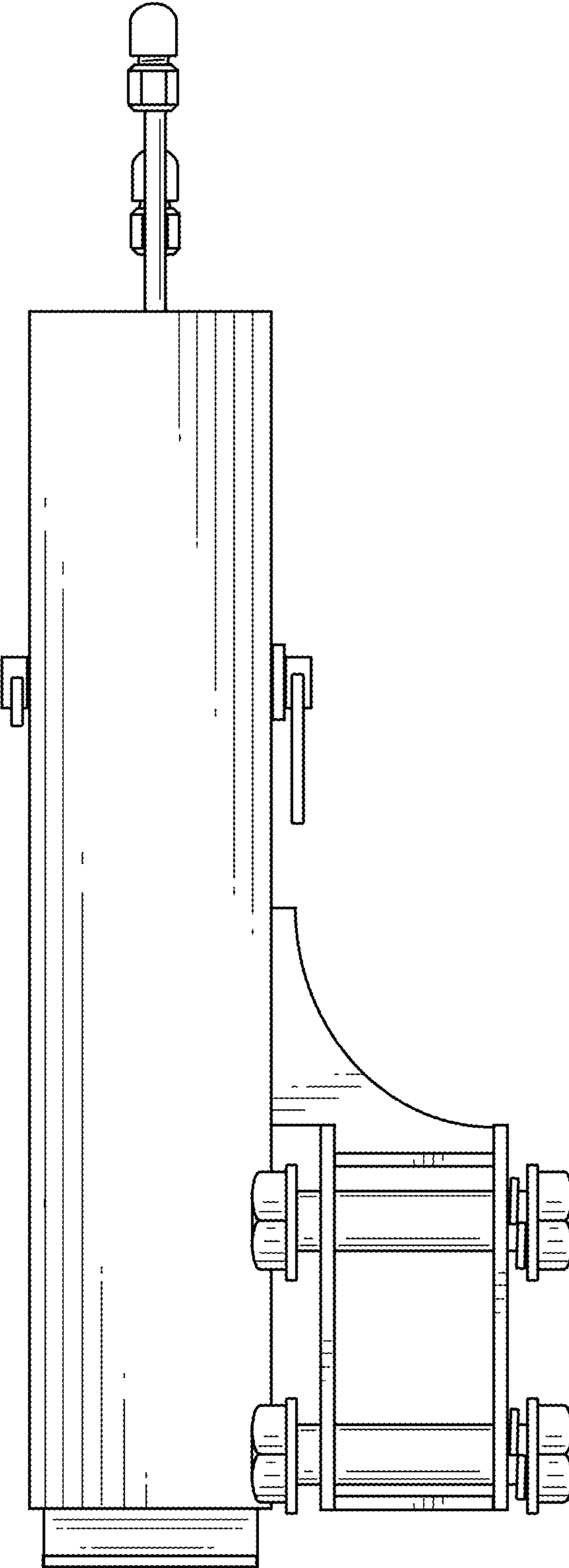


FIG. 2

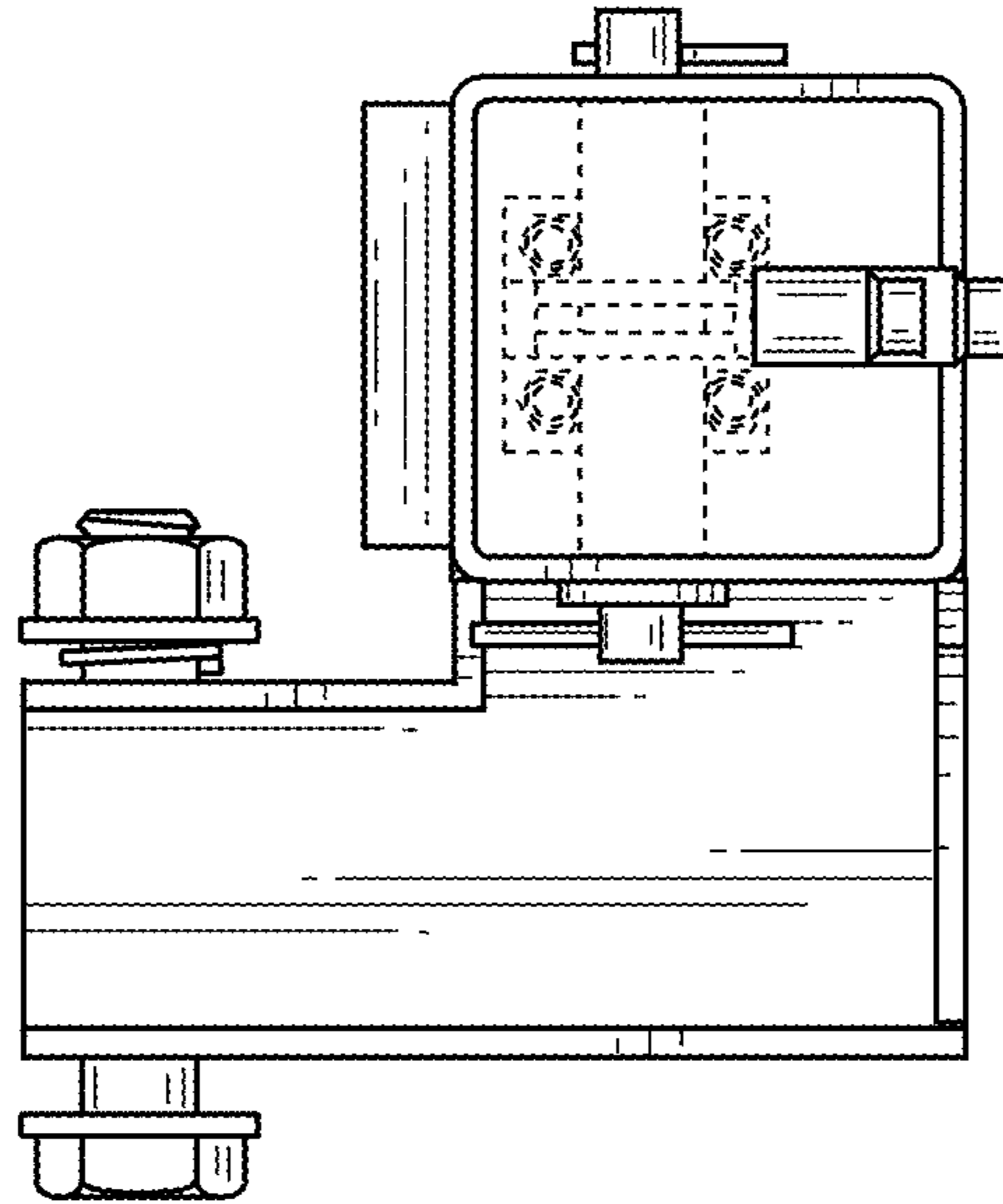


FIG. 3

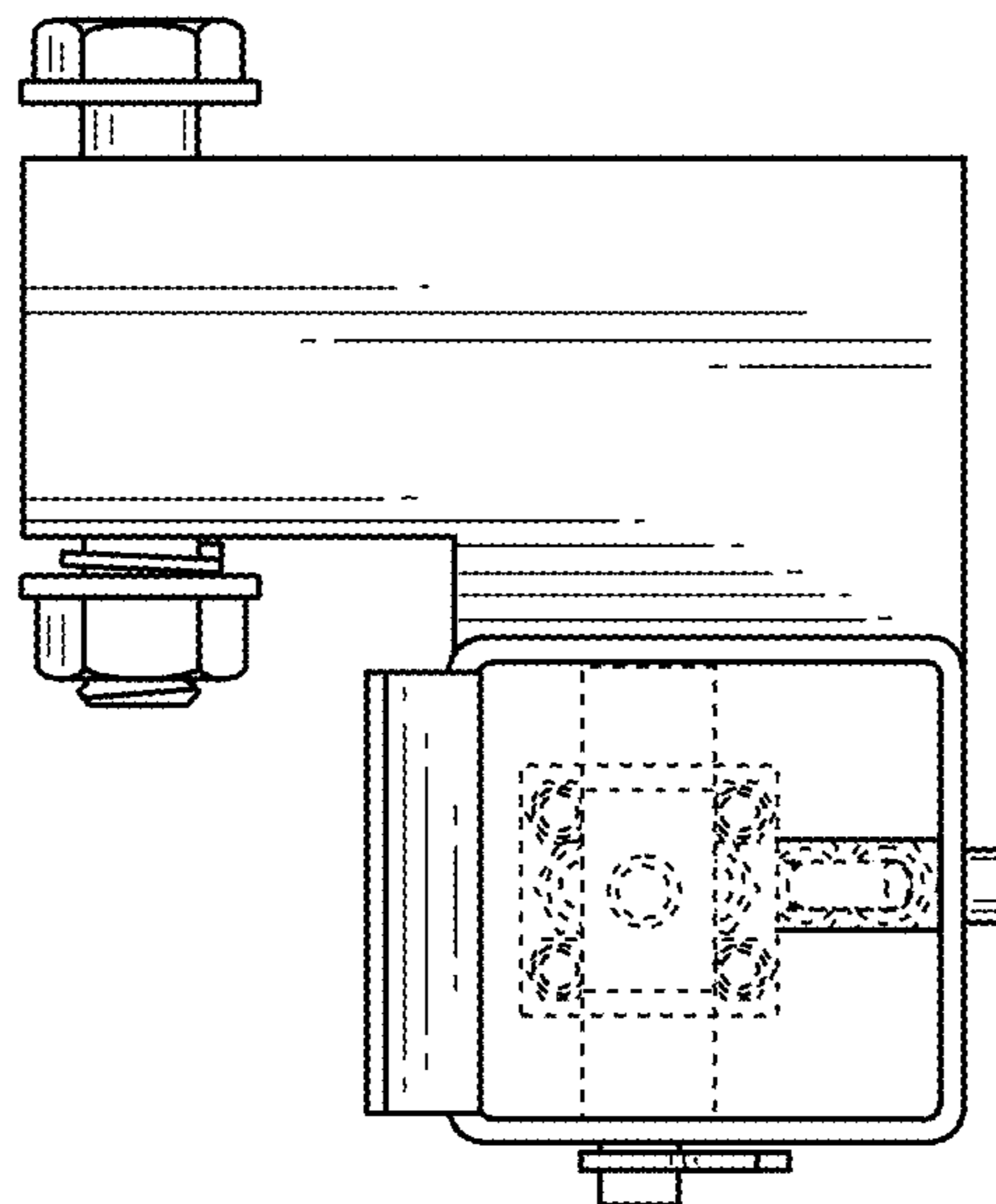


FIG. 4

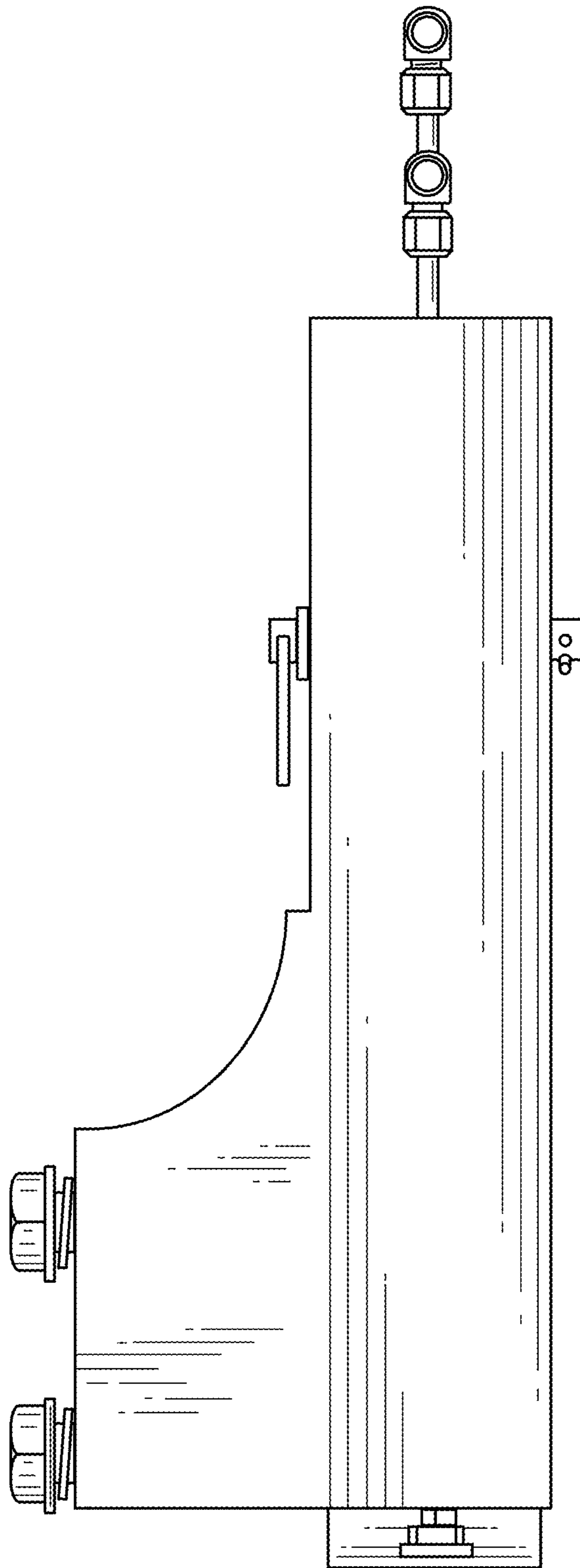


FIG. 5

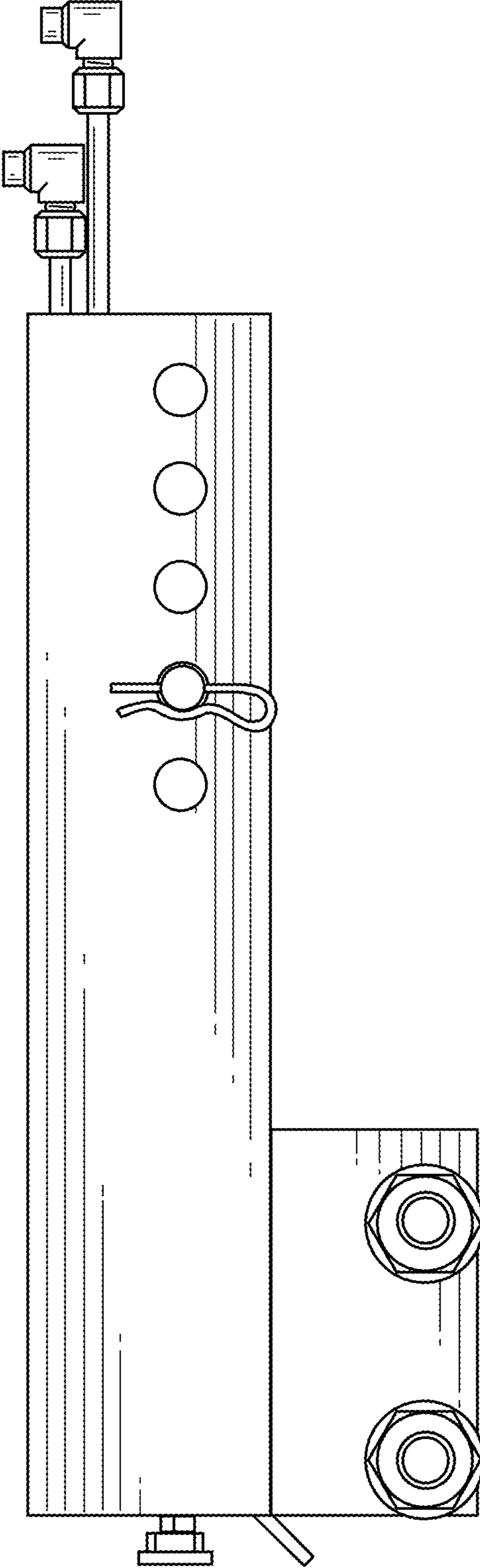


FIG. 6

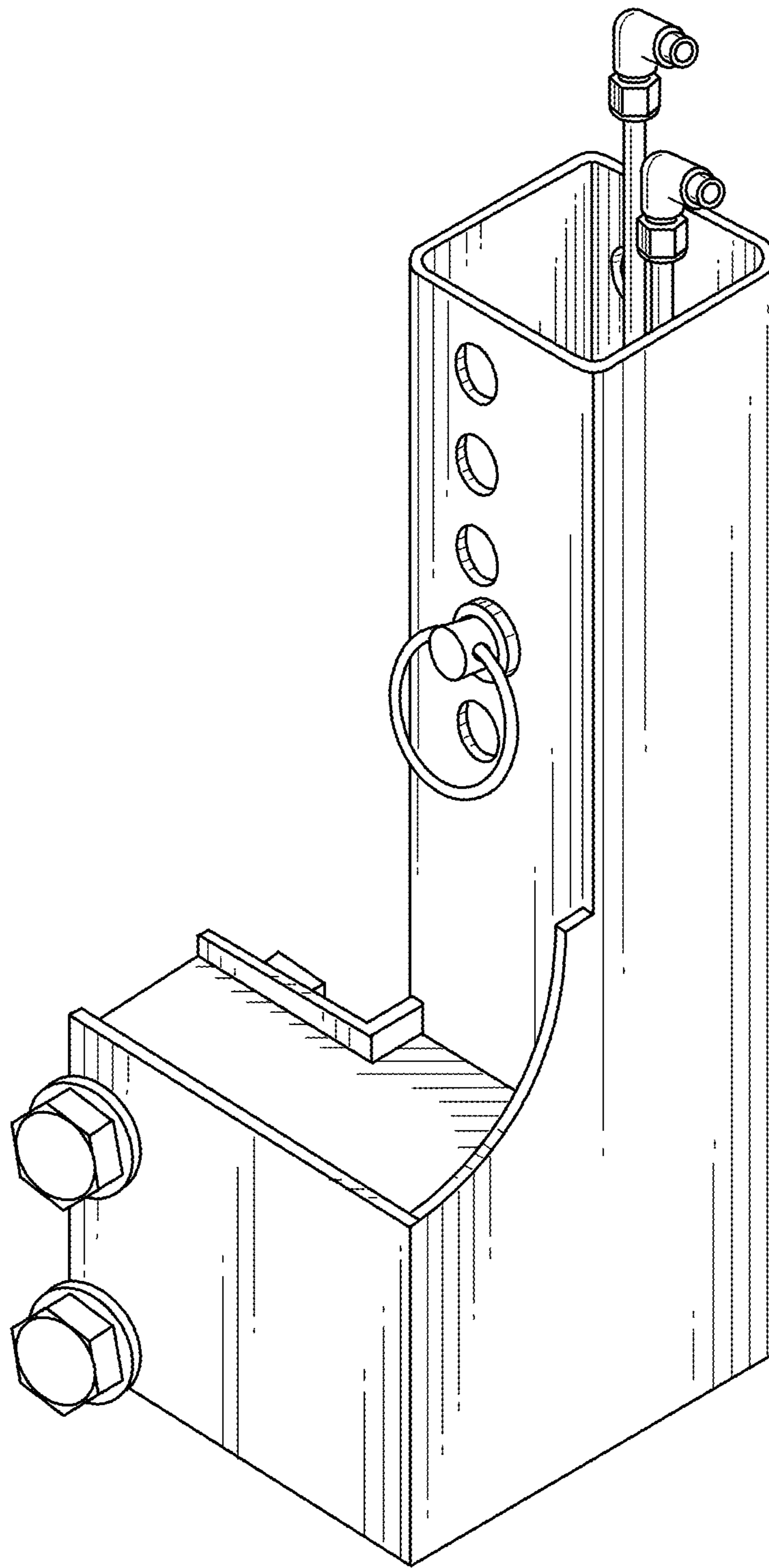


FIG. 7