



US00D843078S

(12) **United States Design Patent** (10) **Patent No.:** **US D843,078 S**  
**Thitakham** (45) **Date of Patent:** **\*\* Mar. 12, 2019**

(54) <b>COMPARTMENTALIZED GARBAGE CAN</b>	8,061,554 B2 * 11/2011 Shikano ..... B65F 1/06 220/263
(71) Applicant: <b>Nophadonh Thitakham</b> , Fort Worth, TX (US)	8,910,821 B1 * 12/2014 Stravitz ..... B65F 1/06 220/495.04
(72) Inventor: <b>Nophadonh Thitakham</b> , Fort Worth, TX (US)	9,399,550 B2 * 7/2016 Haimoff ..... B65F 1/163 D769,565 S * 10/2016 Chen ..... D34/9 9,745,127 B1 * 8/2017 Stravitz ..... B65F 1/068 D803,505 S * 11/2017 Duvigneau ..... D34/9 2005/0082196 A1 * 4/2005 Lin ..... B65F 1/062 206/554
(**) Term: <b>15 Years</b>	2009/0071959 A1 * 3/2009 Cheung ..... B65F 1/163 220/263
(21) Appl. No.: <b>29/615,376</b>	

(22) Filed: **Aug. 29, 2017**

(51) **LOC (11) Cl.** ..... **09-09**

(52) **U.S. Cl.**  
USPC ..... **D34/9**

(58) **Field of Classification Search**  
USPC ..... D34/1-3, 5-11; 220/495.06, 908-913,  
220/254.6, 262-264, 495.04; 206/554  
CPC ..... B65F 1/163; B65F 1/1607; B65F 1/16  
See application file for complete search history.

(56) **References Cited**

U.S. PATENT DOCUMENTS

5,005,727 A	4/1991	Roth	
6,019,242 A	2/2000	Wysocki	
6,129,233 A	10/2000	Schiller	
6,386,386 B1	5/2002	George	
7,290,674 B1	11/2007	Ledford	
D564,170 S *	3/2008	Chen	D34/9
D595,917 S	7/2009	Liao	
7,703,622 B1	4/2010	Bynoe	
D626,713 S *	11/2010	Yang	D34/9

FOREIGN PATENT DOCUMENTS

WO 9807640 A1 2/1998

\* cited by examiner

*Primary Examiner* — Cynthia Ramirez

*Assistant Examiner* — Gino Colon

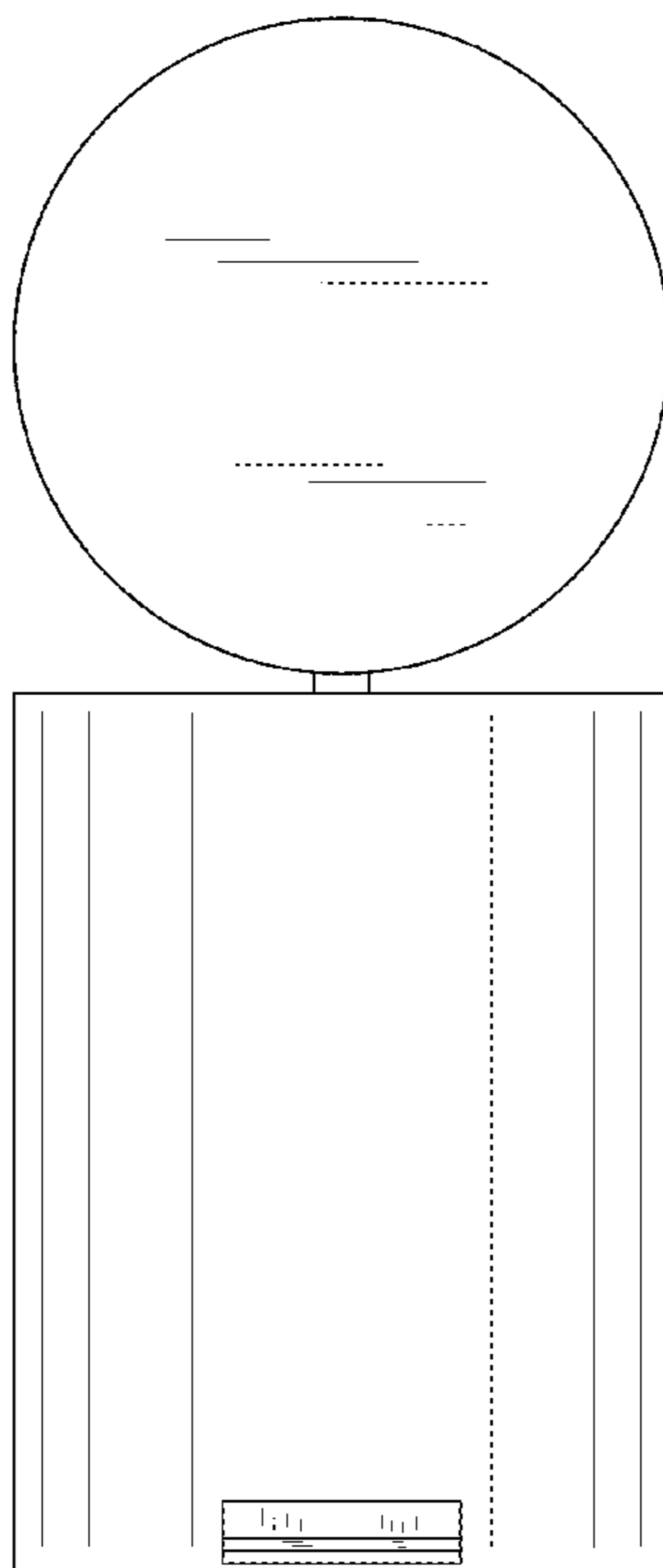
(57) **CLAIM**

I claim the ornamental design for a compartmentalized garbage can, as shown and described.

**DESCRIPTION**

FIG. 1 is a front elevation view of a compartmentalized garbage can showing my new design;  
FIG. 2 is a back elevation view thereof;  
FIG. 3 is a left side elevation view thereof;  
FIG. 4 is a top plan view thereof;  
FIG. 5 is a bottom plan view thereof; and,  
FIG. 6 is a perspective view thereof.

**1 Claim, 5 Drawing Sheets**



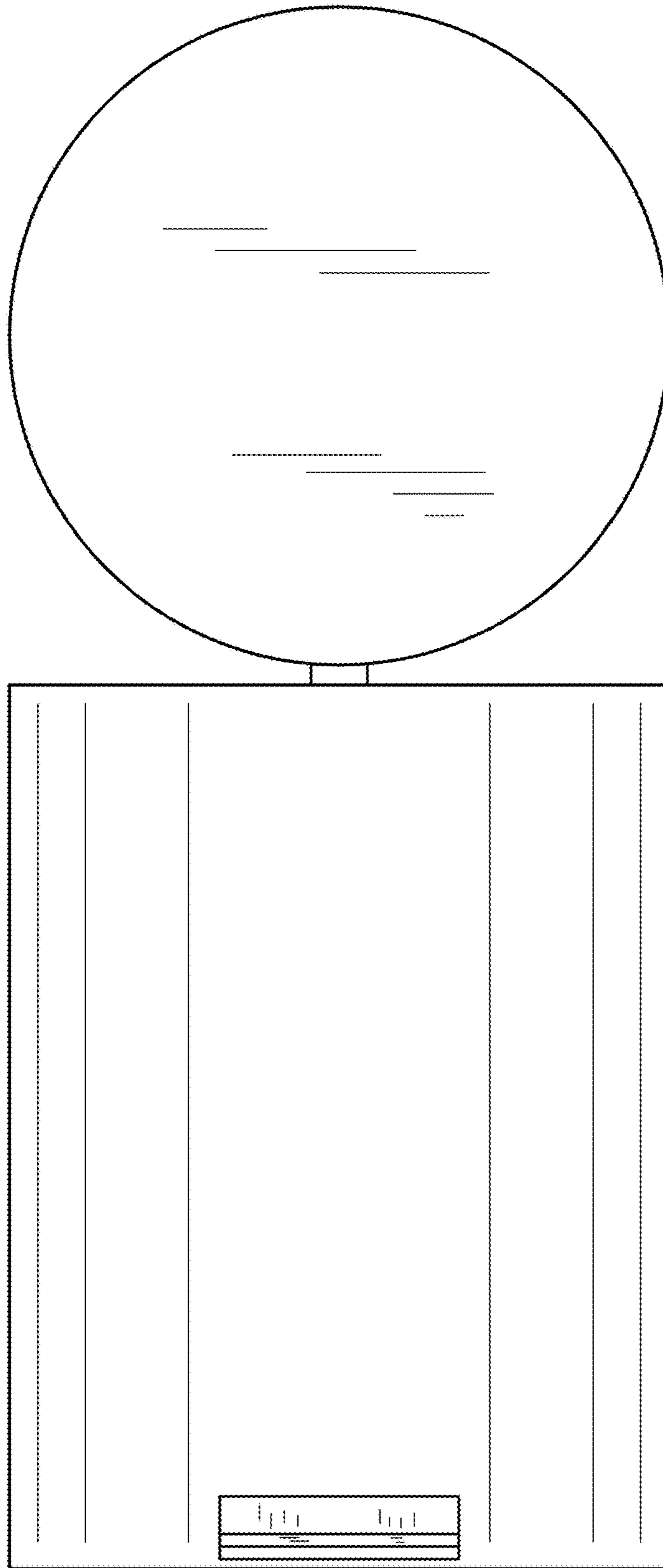


FIG. 1

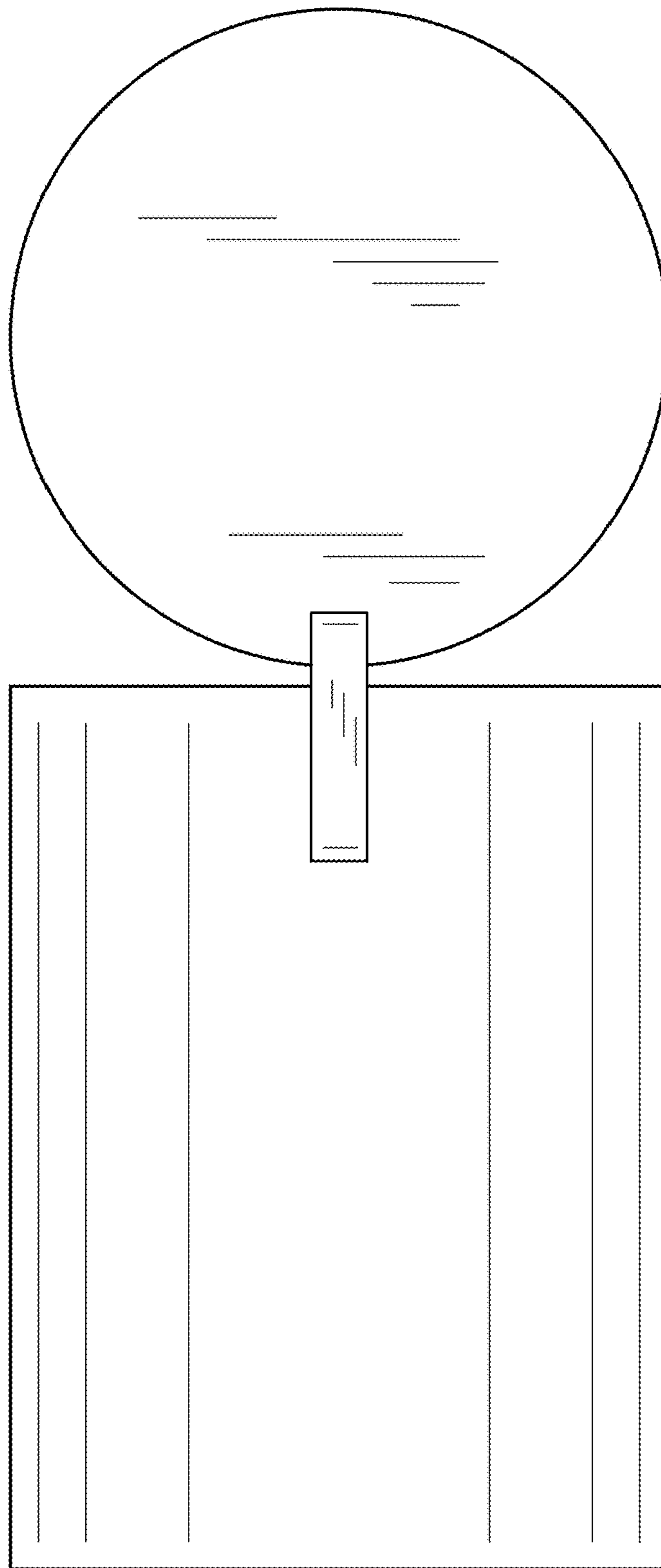


FIG. 2

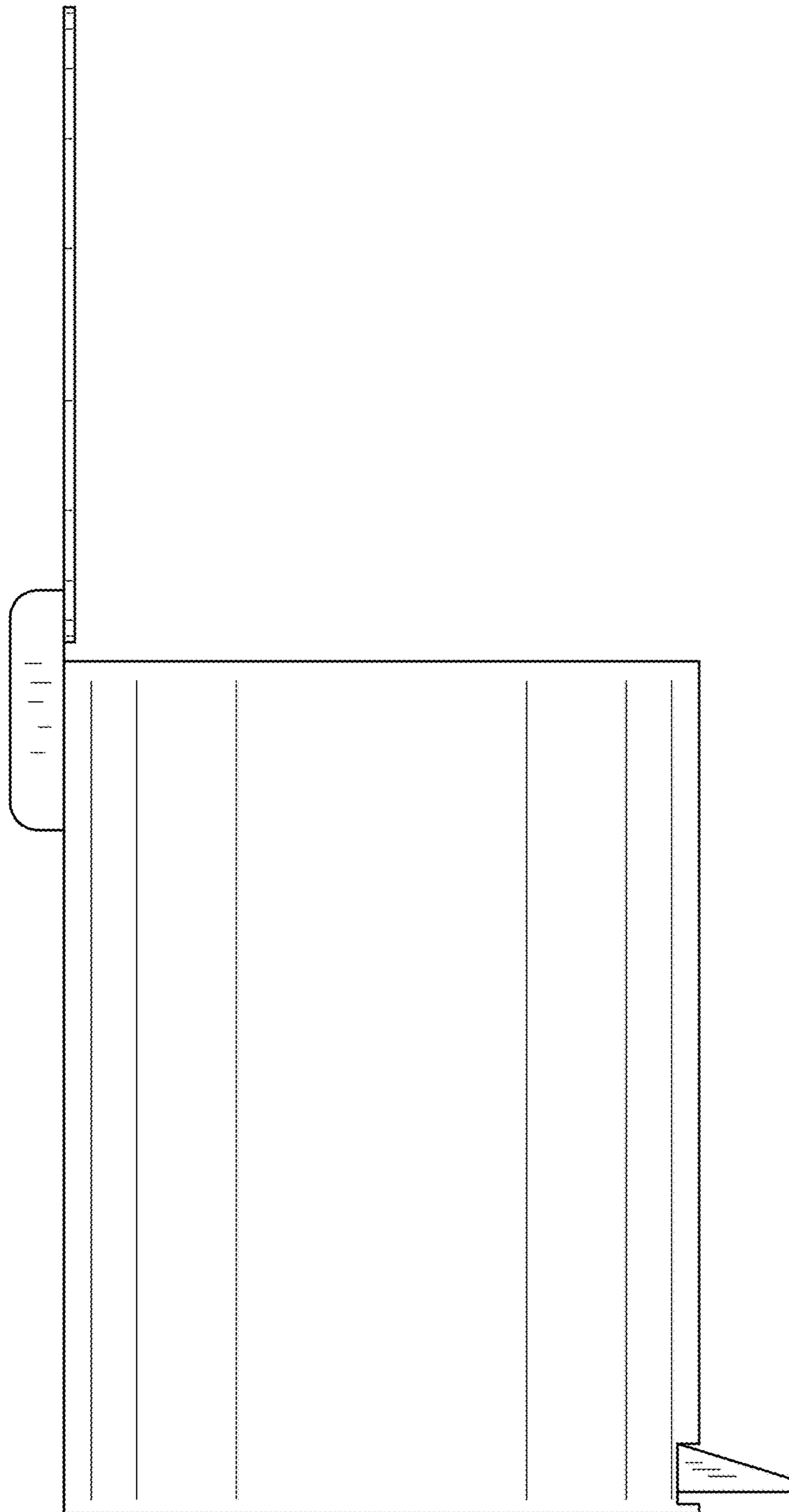


FIG. 3

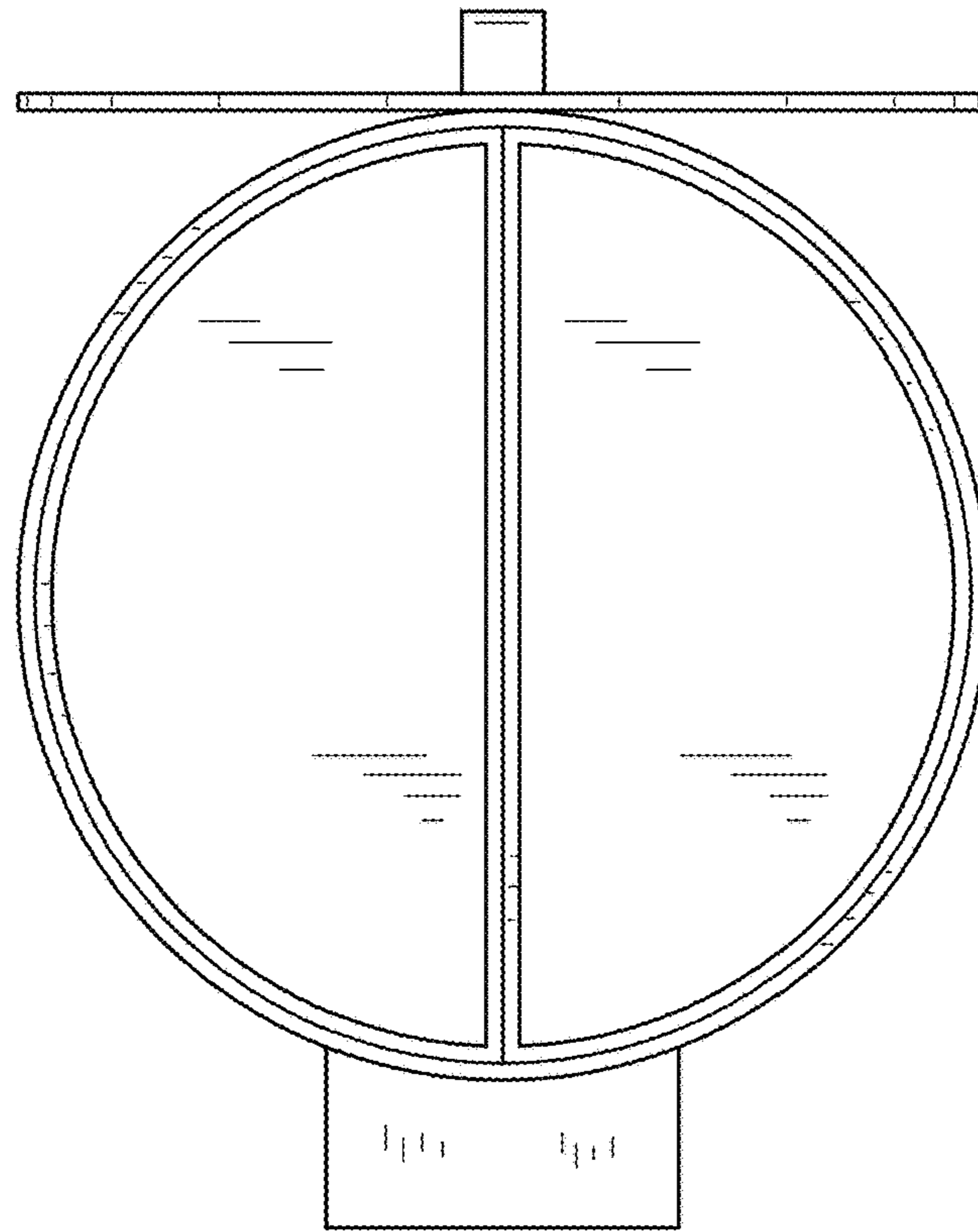


FIG. 4

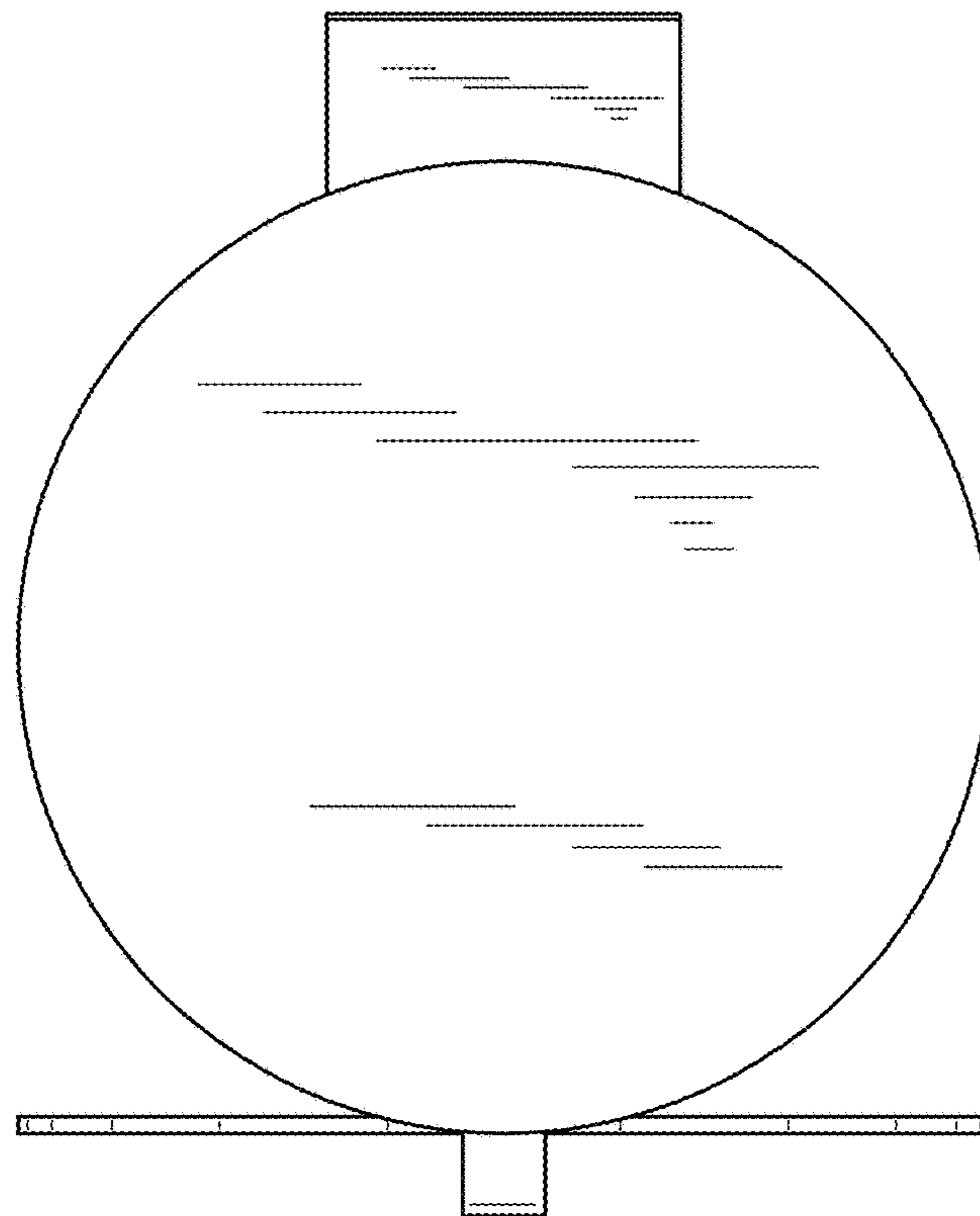


FIG. 5

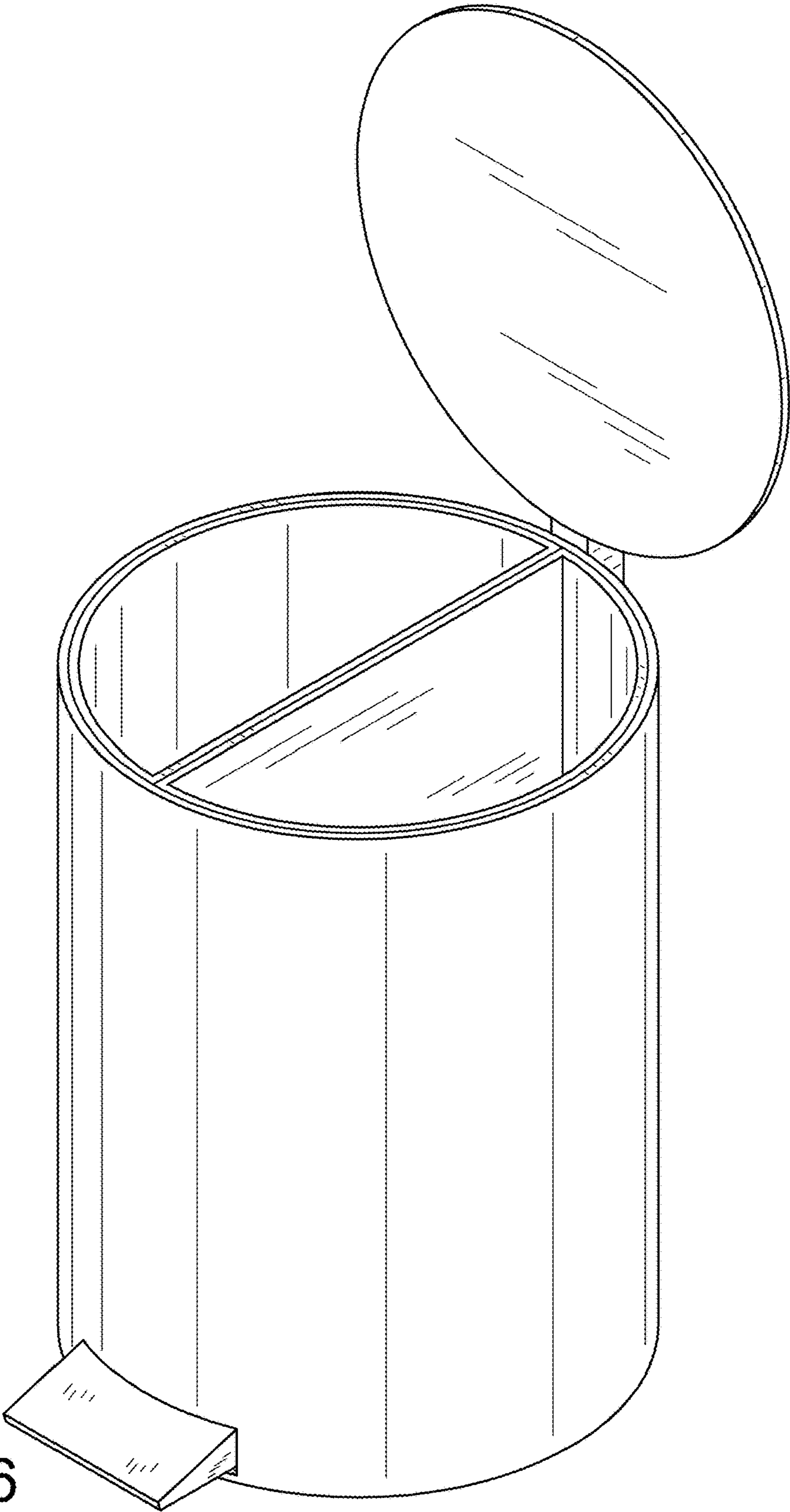


FIG. 6