



US00D843077S

(12) **United States Design Patent**  
**Joseph**

(10) **Patent No.:** **US D843,077 S**

(45) **Date of Patent:** **\*\* Mar. 12, 2019**

(54) **SPLIT BIN**

(71) Applicant: **JOSEPH JOSEPH, LTD.**, London  
(GB)

(72) Inventor: **Antony Joseph**, London (GB)

(73) Assignee: **JOSEPH JOSEPH LTD.**, London  
(GB)

(\*\*) Term: **15 Years**

(21) Appl. No.: **29/614,962**

(22) Filed: **Aug. 24, 2017**

(30) **Foreign Application Priority Data**

Mar. 8, 2017 (EM) ..... 003789460

(51) **LOC (11) Cl.** ..... **09-09**

(52) **U.S. Cl.**  
USPC ..... **D34/7**

(58) **Field of Classification Search**

USPC ..... D34/1-3, 5-11; 220/263, 495.06, 908,  
220/254.6, 4.22, 495.09, 254.3, 23.83,  
220/23.8, 495.07, 495.08, 23.86;  
232/43.2; 206/390

CPC ..... B65F 1/163; B65F 1/004; B65F 1/0053;  
B65F 1/006; B65F 1/1607; B62B  
2202/12; B62B 2202/20; B62B 2203/40

See application file for complete search history.

(56) **References Cited**

**U.S. PATENT DOCUMENTS**

4,349,123 A \* 9/1982 Yang ..... B65D 83/0805  
206/390

5,826,789 A \* 10/1998 Decaux ..... B65F 1/006  
232/43.2

6,311,859 B1 \* 11/2001 Haas ..... B65F 1/141  
220/4.22

7,624,915 B2 \* 12/2009 Dembowskiak ..... B65F 1/1415  
220/495.08

D639,006 S \* 5/2011 Yang ..... D34/1

8,042,703 B2 \* 10/2011 Dembowskiak ..... B65F 1/0073  
220/23.86

D802,239 S \* 11/2017 Chen ..... D34/7  
D815,789 S \* 4/2018 Wang ..... D34/7

\* cited by examiner

*Primary Examiner* — Cynthia Ramirez

*Assistant Examiner* — Gino Colan

(74) *Attorney, Agent, or Firm* — Millen, White, Zelano &  
Branigan, PC

(57) **CLAIM**

The ornamental design for a split bin, as shown and described.

**DESCRIPTION**

FIG. 1 is a top perspective view of the split bin showing my new design.

FIG. 2 is a front view thereof.

FIG. 3 is a back view thereof.

FIG. 4 is a side view thereof.

FIG. 5 is another side view thereof.

FIG. 6 is a top view thereof.

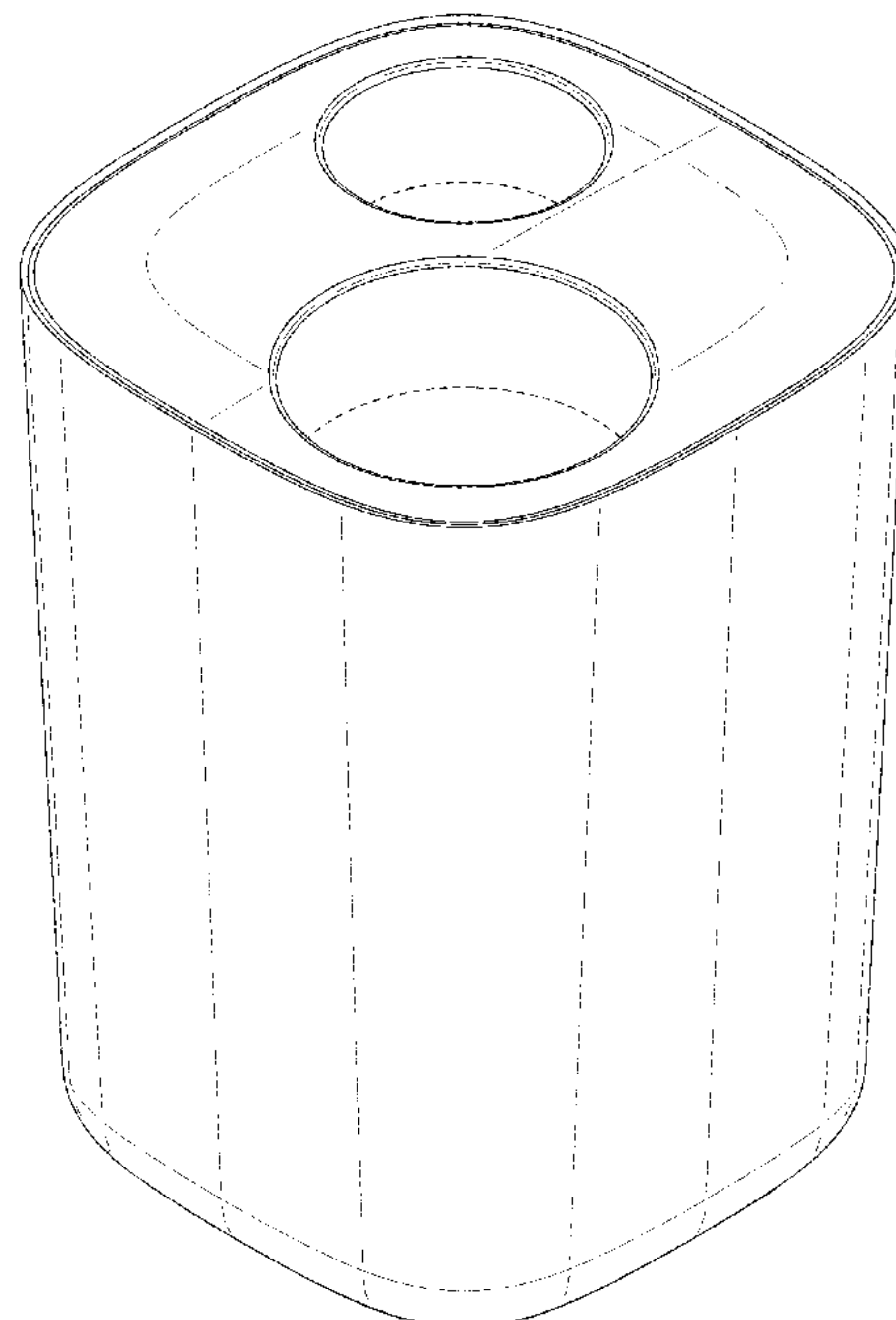
FIG. 7 is a bottom view thereof.

FIG. 8 is a front top perspective exploded view thereof; and,

FIG. 9 is a back top perspective exploded view thereof.

The broken lines in the drawings illustrate portions of the split bin which form no part of the claimed design.

**1 Claim, 9 Drawing Sheets**



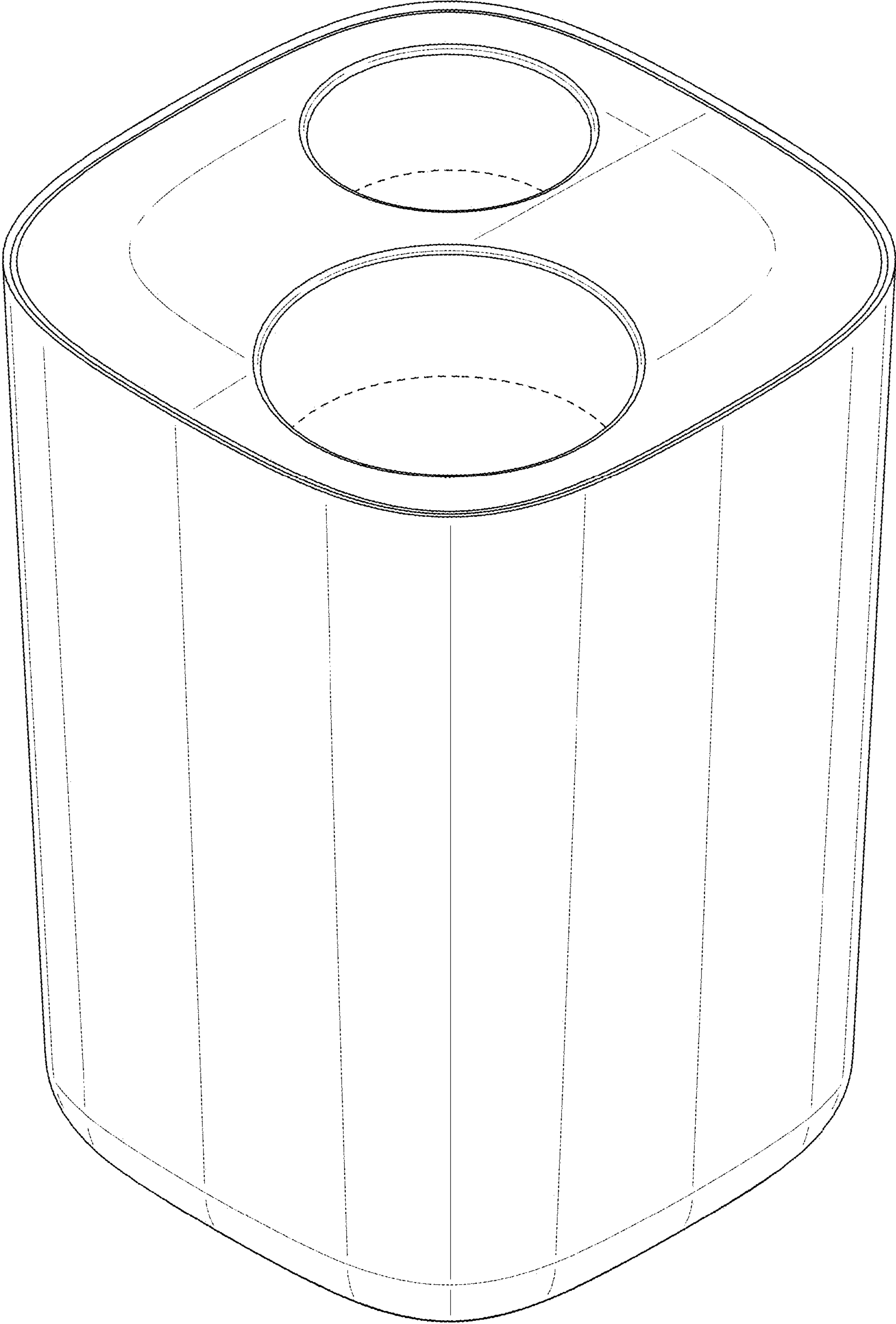


FIG. 1

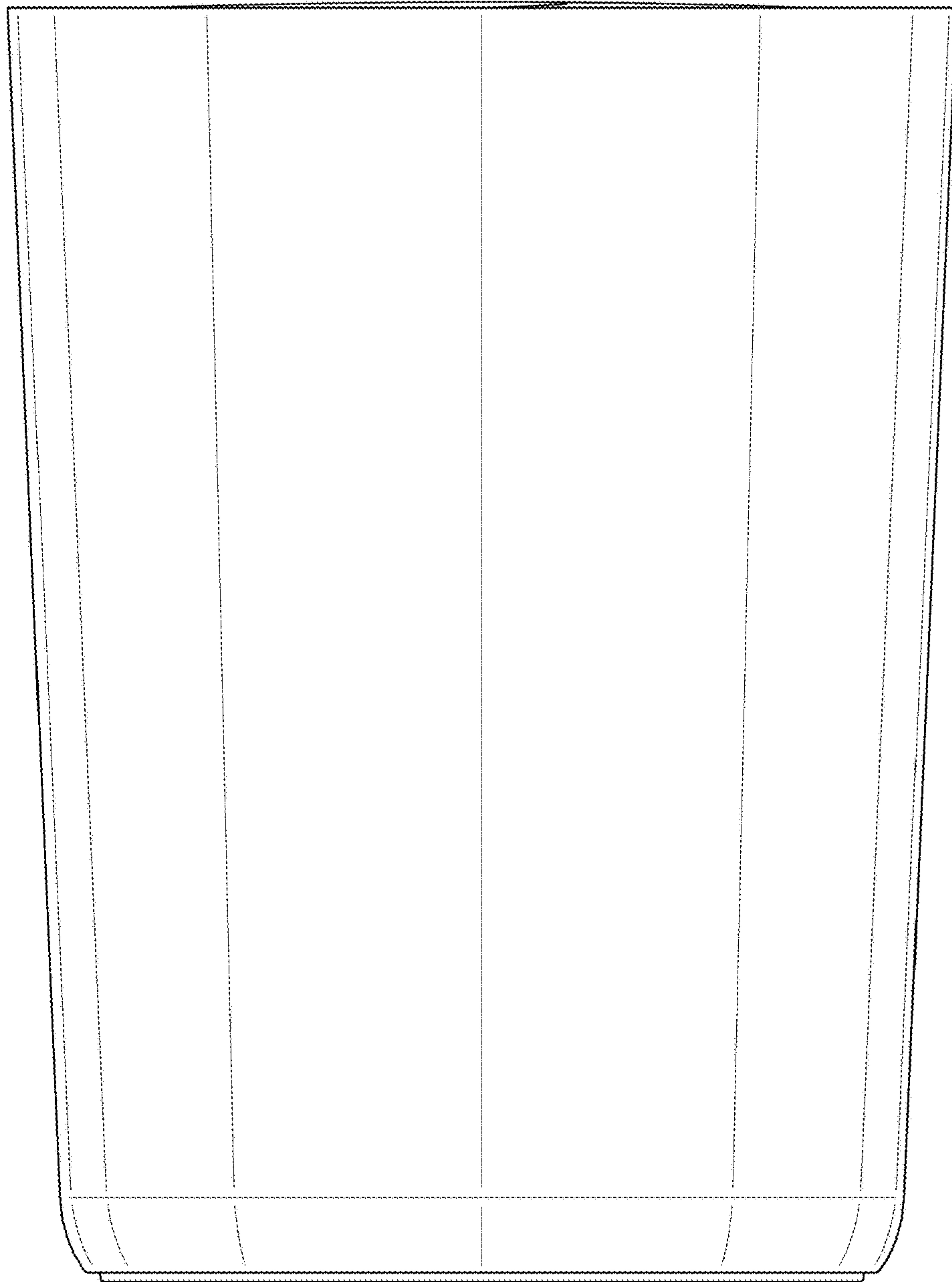


FIG. 2

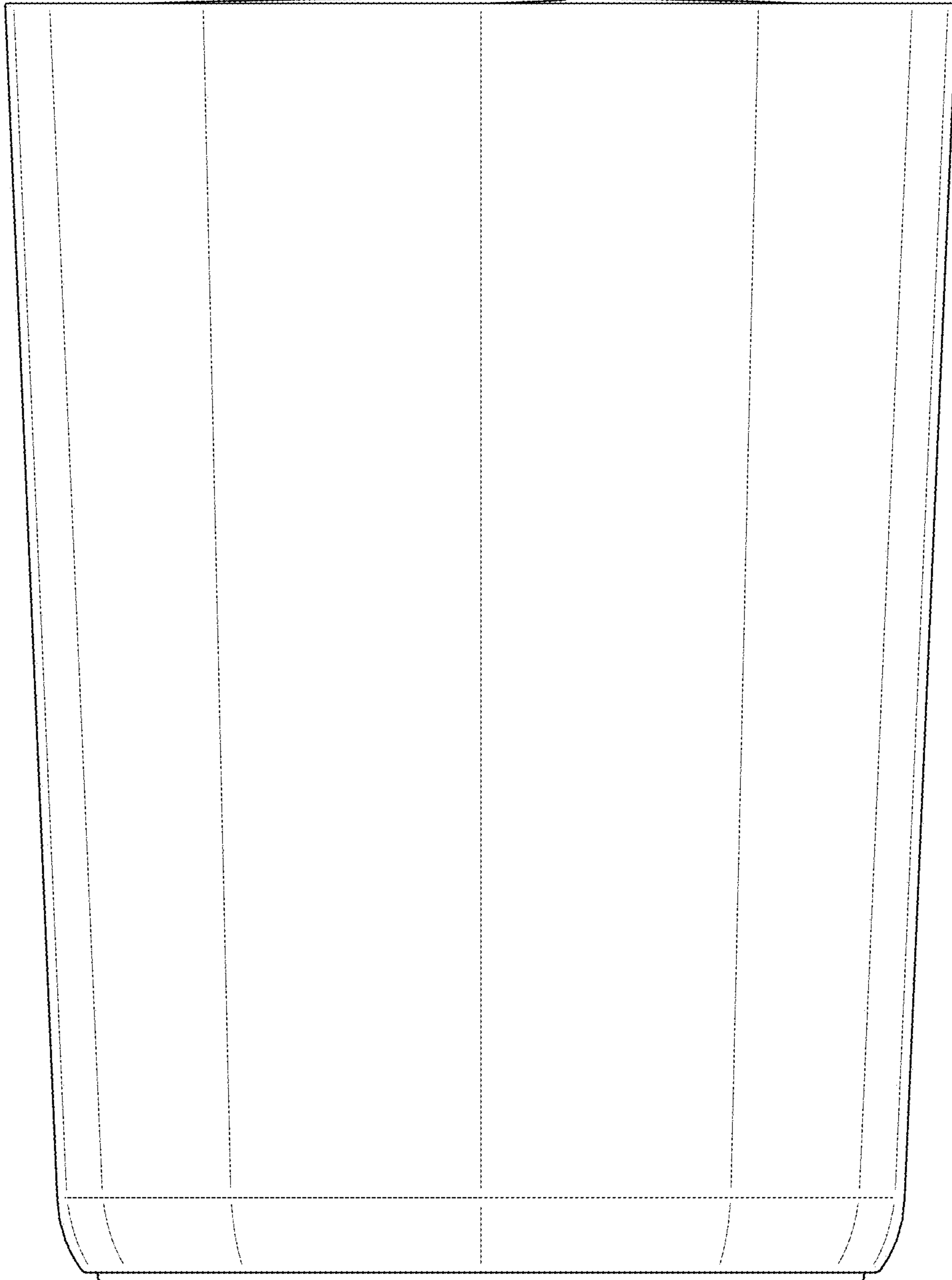


FIG. 3

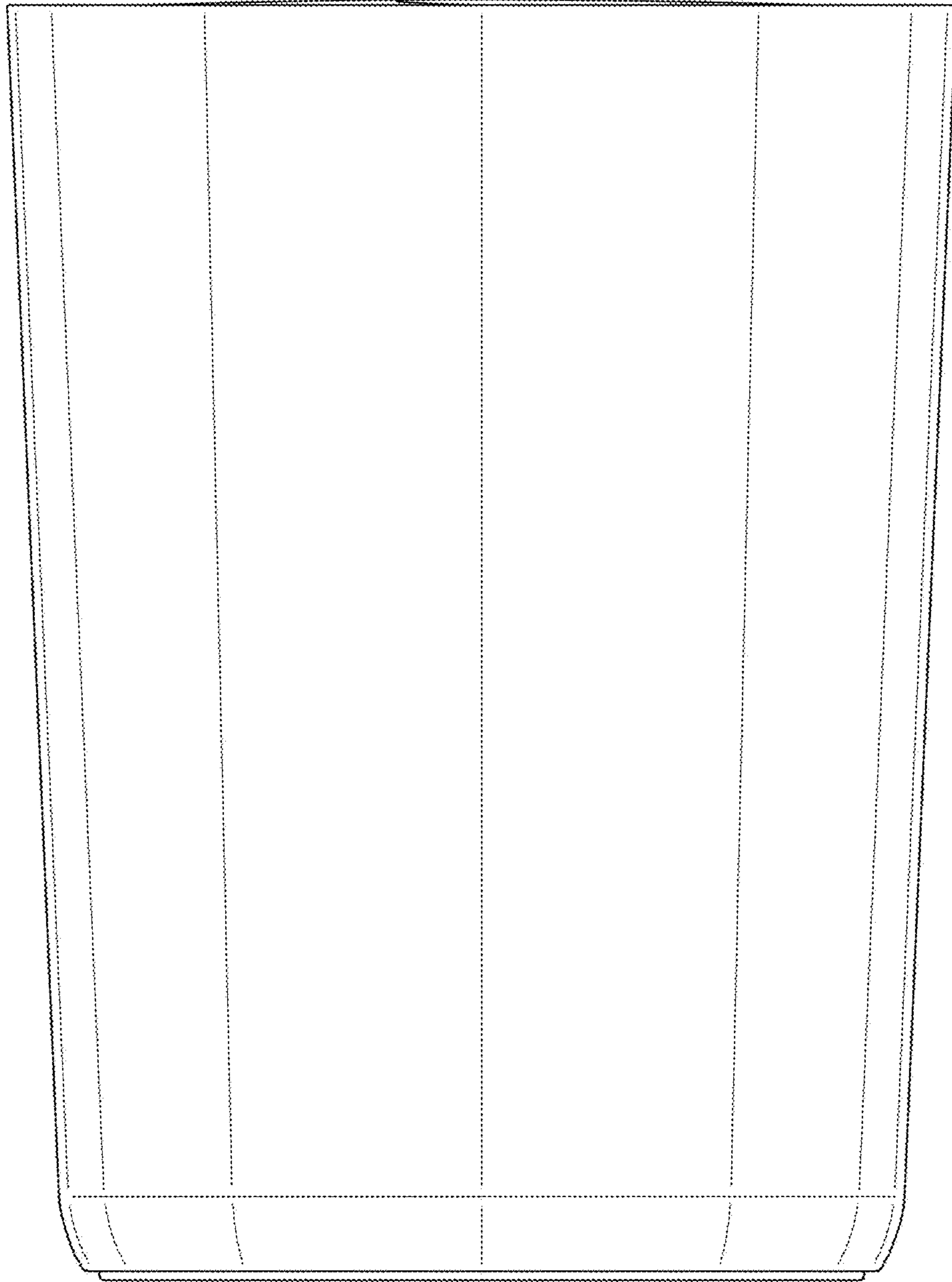


FIG. 4

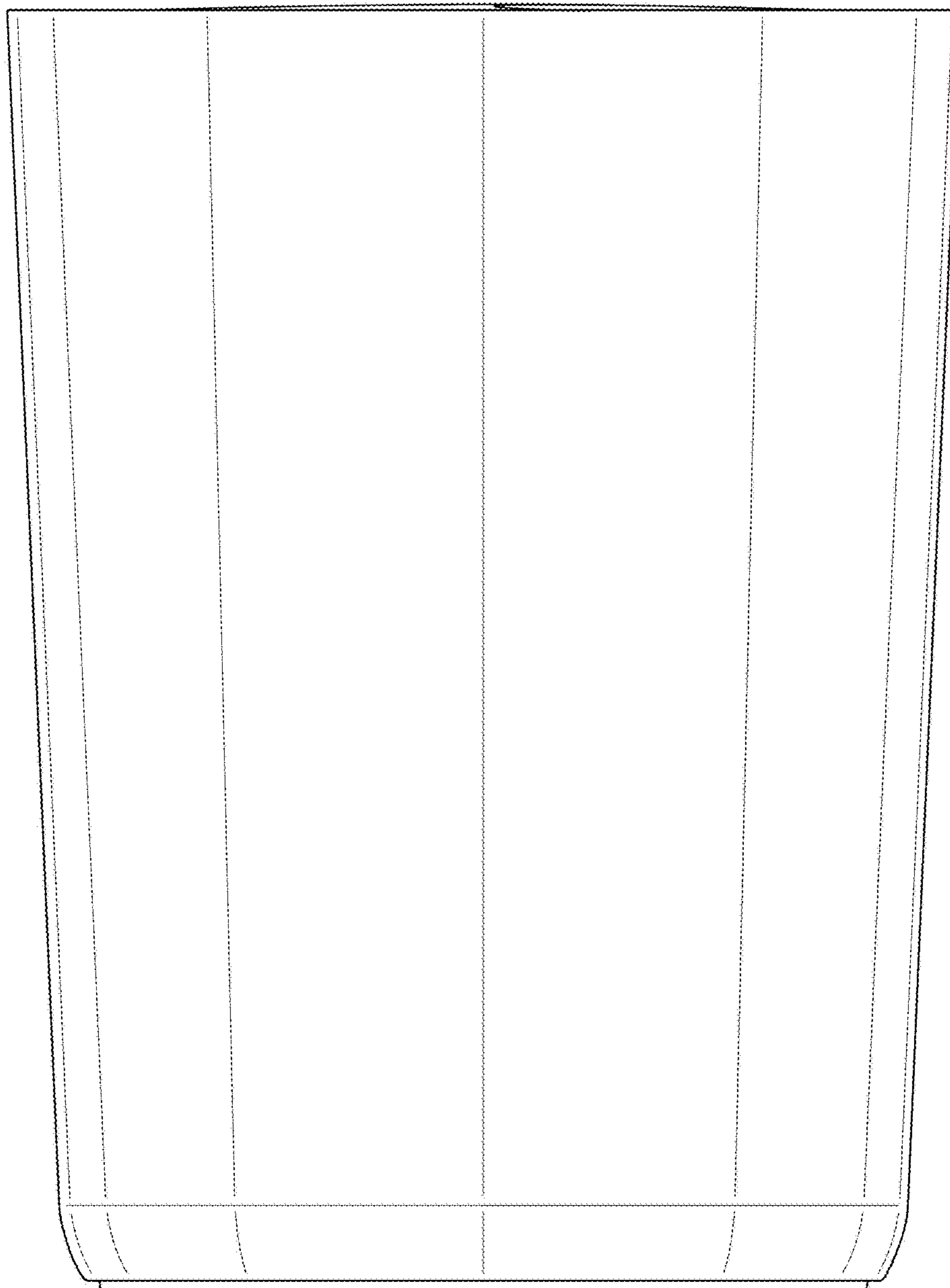


FIG. 5



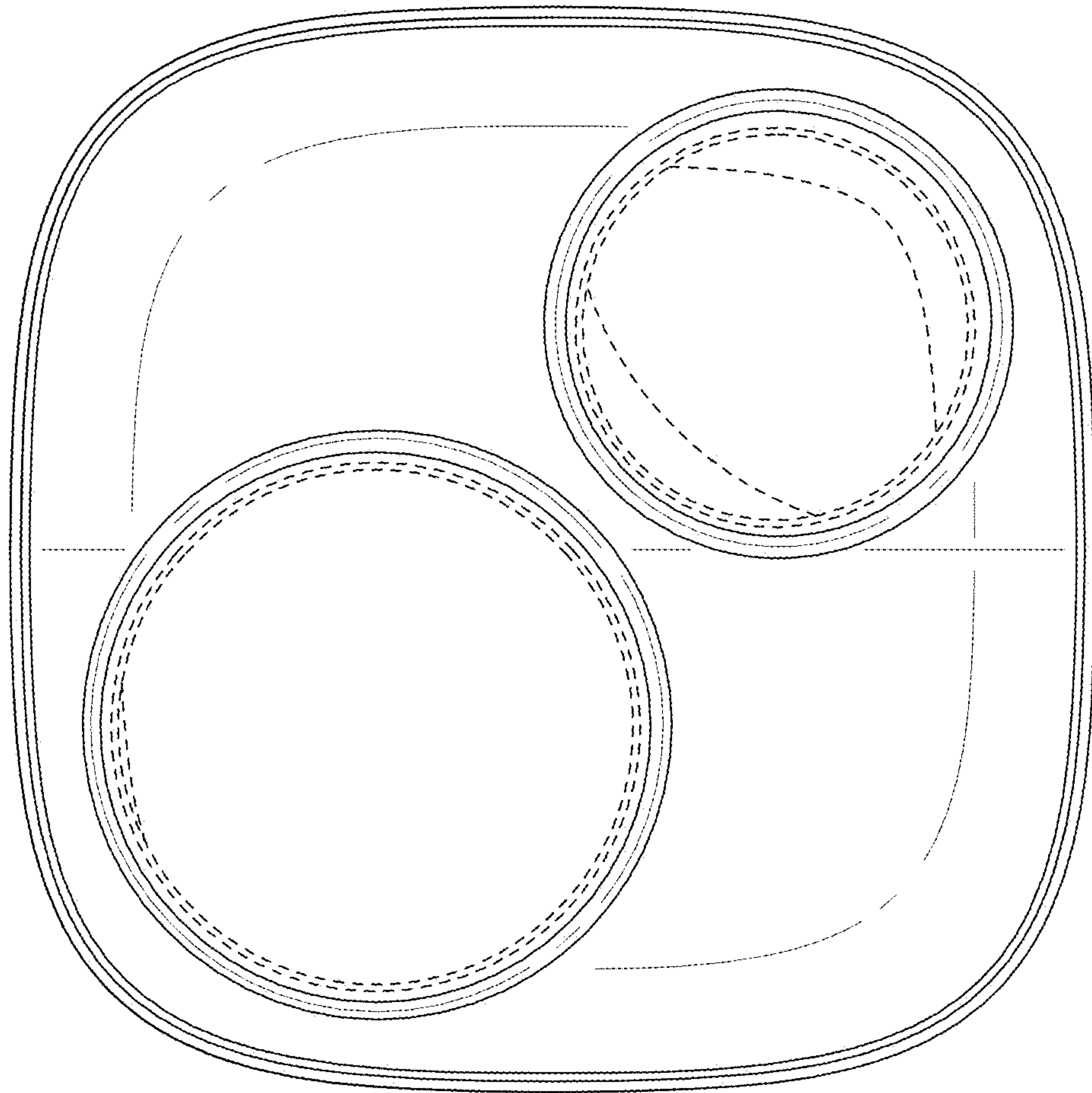


FIG. 6

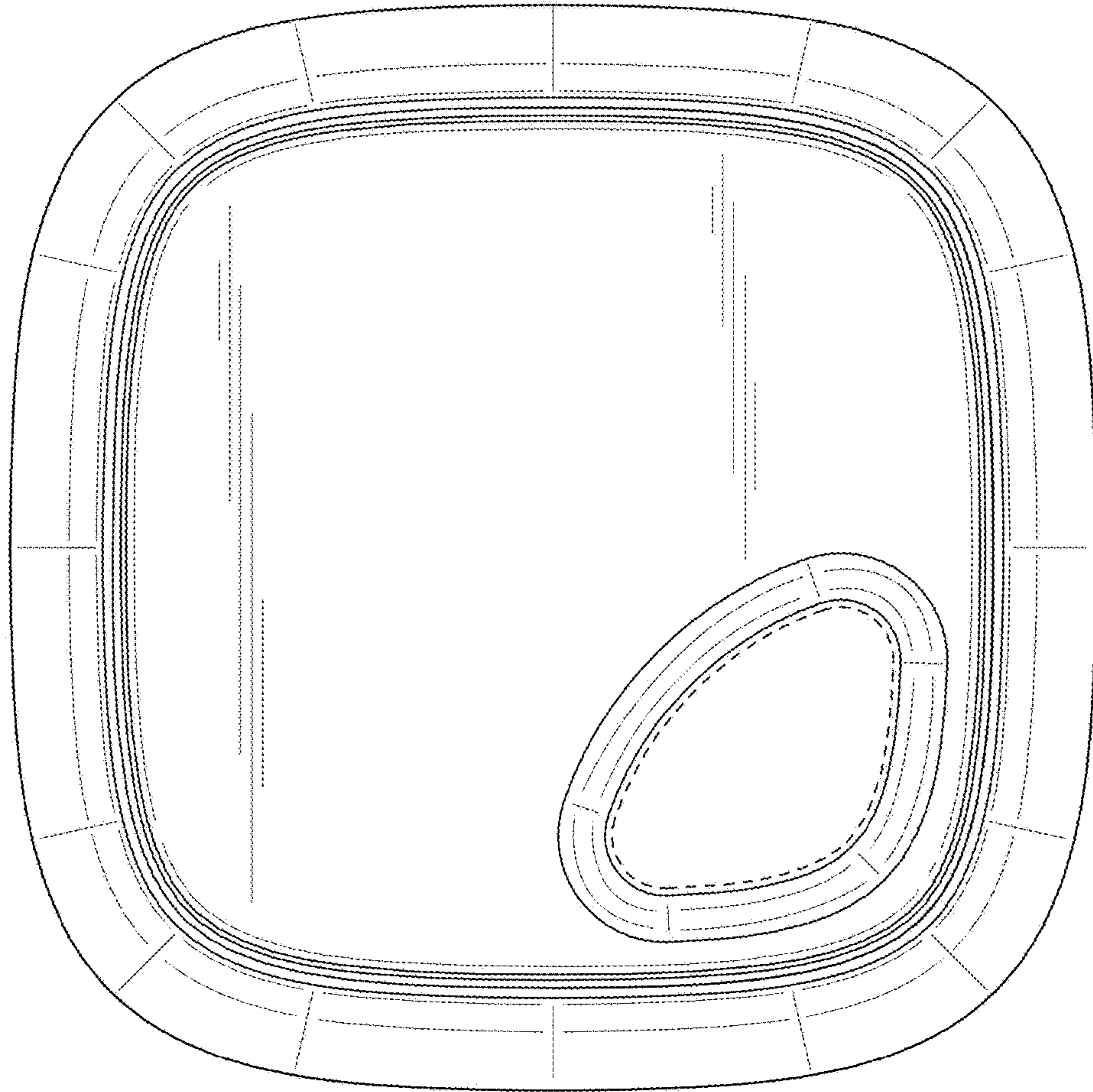


FIG. 7



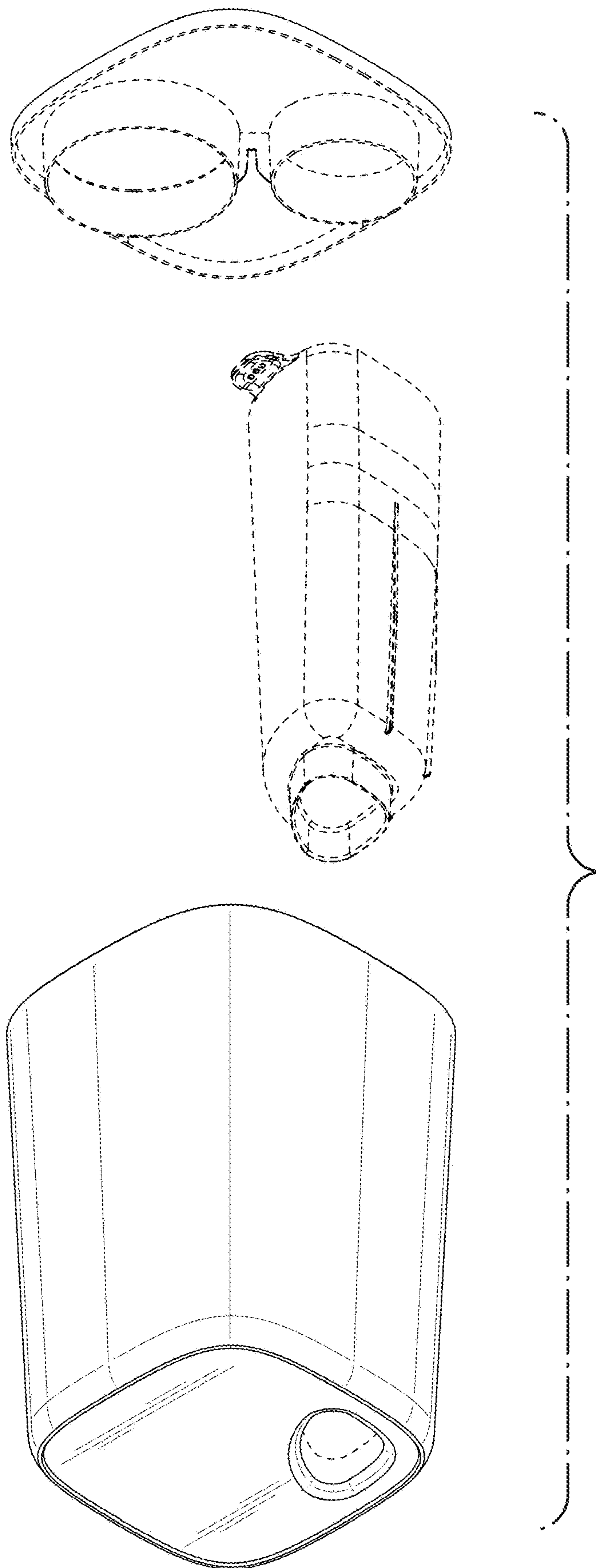


FIG. 8

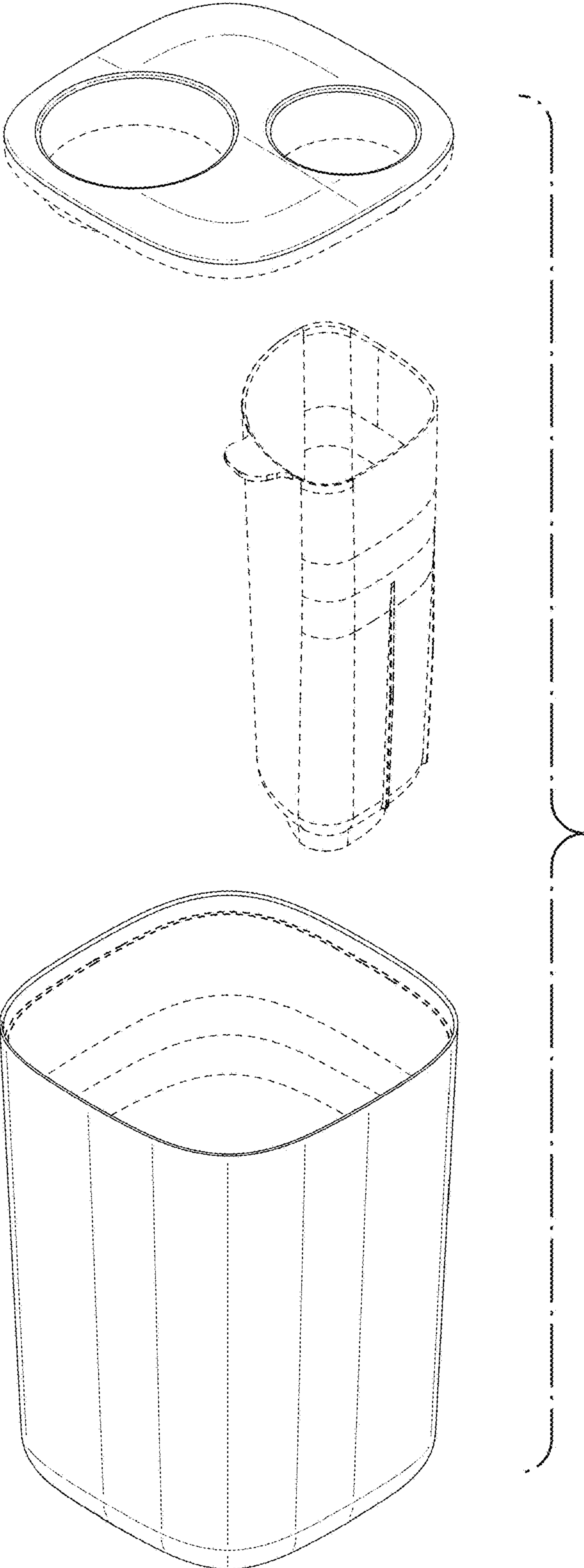


FIG. 9