



US00D843072S

(12) **United States Design Patent**
Gwynne

(10) **Patent No.:** **US D843,072 S**
(45) **Date of Patent:** **** Mar. 12, 2019**

(54) **TRACK CLEANER**

(71) Applicant: **SuWiPeJa Pty Ltd**, MacKay, QLD
(AU)

(72) Inventor: **Suzanne Gwynne**, Southport (AU)

(73) Assignee: **SuWiPeJa Pty Ltd**, MacKay (AU)

(**) Term: **15 Years**

(21) Appl. No.: **29/596,175**

(22) Filed: **Mar. 6, 2017**

(51) **LOC (11) Cl.** **07-05**

(52) **U.S. Cl.**
USPC **D32/40**

(58) **Field of Classification Search**
USPC D32/39-46, 49-52; D34/4; D6/598;
D21/600
CPC . A47K 7/02; A61M 1/00; A47L 13/00; A47L
13/10; B32B 5/18; B24D 11/00; B24D
3/00; B24D 3/34; B61K 13/00
See application file for complete search history.

(56) **References Cited**

U.S. PATENT DOCUMENTS

3,067,450	A	*	12/1962	Mirth	A47K 7/028	15/118
D312,339	S	*	11/1990	Nero, III	D32/40	
D318,157	S	*	7/1991	Perior	D32/41	
D323,746	S	*	2/1992	Mehan	D32/42	
D398,427	S	*	9/1998	Berti	D32/52	
D464,182	S	*	10/2002	Vosbikian	D32/41	
D469,613	S	*	2/2003	Libman	D32/52	
D479,374	S	*	9/2003	Gringer	D32/48	
D479,375	S	*	9/2003	Gringer	D32/48	
D485,033	S	*	1/2004	Colburn	D28/7	
D552,314	S	*	10/2007	Harper	D32/40	
D552,816	S	*	10/2007	Cybulski	D32/51	
D584,871	S	*	1/2009	Arvinte	D32/49	

D588,767	S	*	3/2009	Libman	D32/41
D629,984	S	*	12/2010	Carlson	D32/51
D630,439	S	*	1/2011	Raven	D4/129

(Continued)

FOREIGN PATENT DOCUMENTS

CN	302358631	*	3/2013
CN	302358634	*	3/2013

(Continued)

OTHER PUBLICATIONS

Cleaning Window Track, video date May 17, 2015, site visited May 26, 2018, <https://www.youtube.com/watch?v=wEOpSci9CXQ>.
(Continued)

Primary Examiner — John Windmuller
Assistant Examiner — John R Yeh

(74) *Attorney, Agent, or Firm* — Polsinelli PC

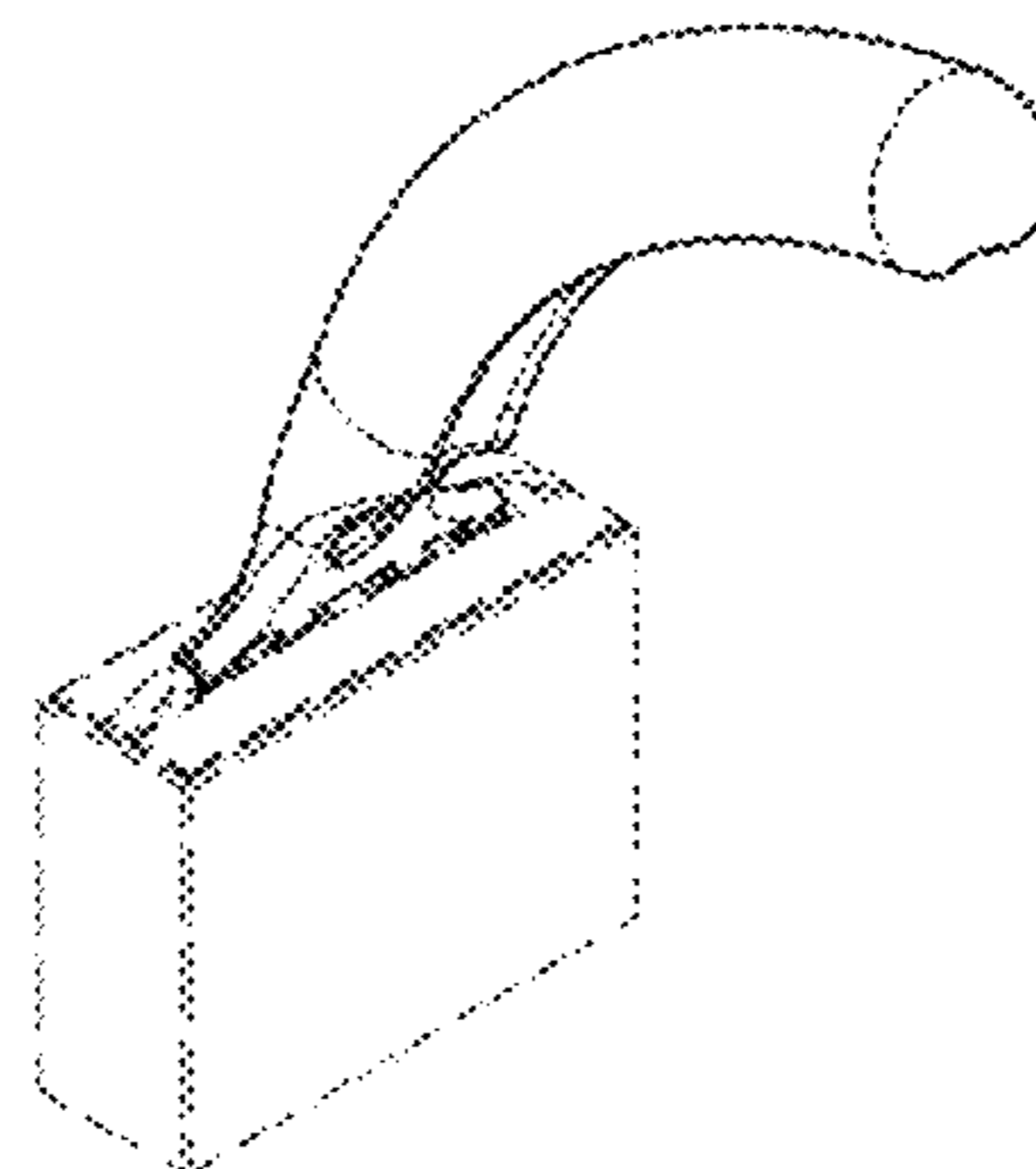
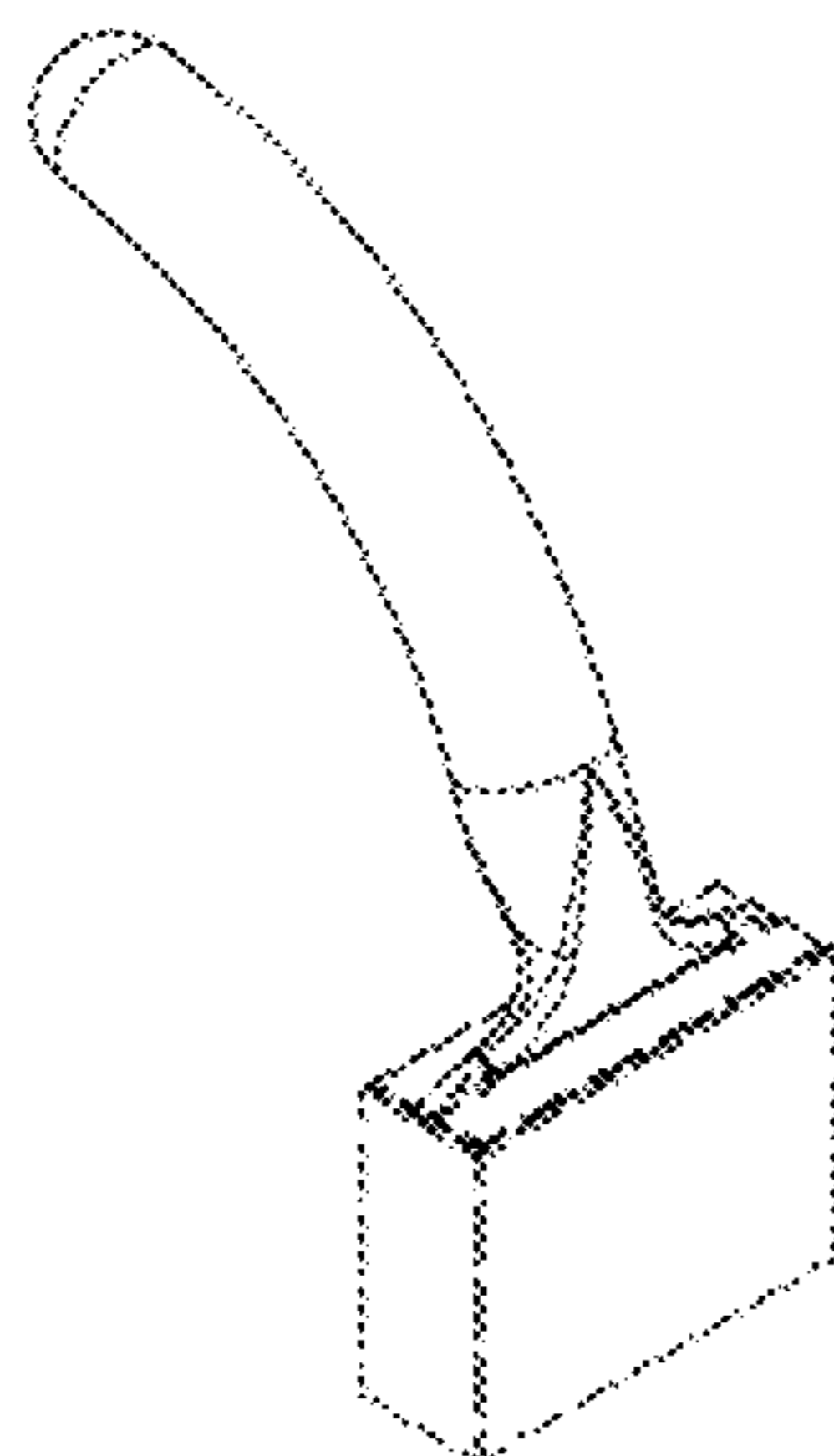
(57) **CLAIM**

I claim the ornamental design for a track cleaner, as shown and described.

DESCRIPTION

FIG. 1 is a front elevation view for a track cleaner, showing my new design;
FIG. 2 is a right side elevation view thereof, the left side being a mirror image thereof;
FIG. 3 is a front perspective view of the track cleaner shown with unclaimed subject matter;
FIG. 4 is a rear perspective view thereof;
FIG. 5 is a top plan view thereof;
FIG. 6 is a right side elevation view thereof; and,
FIG. 7 is a left side elevation view thereof.
Only a right side elevational view of the embodiment is shown, the left side elevational view being a mirror image thereof.
The broken lines show portions of the track cleaner that form no part of the claimed design.

1 Claim, 7 Drawing Sheets



(56)

References Cited

U.S. PATENT DOCUMENTS

D702,905 S * 4/2014 Holma D32/46
D702,906 S * 4/2014 Michels D32/43
D715,009 S * 10/2014 Curien D32/41
D759,384 S * 6/2016 Libman D4/138
D787,144 S * 5/2017 Thompson D32/41
D790,789 S * 6/2017 Blom D32/41
2013/0071171 A1* 3/2013 Stewart A45C 11/008
401/261
2013/0081552 A1* 4/2013 Fulton B08B 1/00
104/279

FOREIGN PATENT DOCUMENTS

CN 302557974 * 9/2013
CN 303975358 * 12/2016

OTHER PUBLICATIONS

Track Cleaning Brush—Magnamail Australia, reviews 2015, <https://www.magnamail.com.au/product/cleaning-wire-brush.html>, site visited May 26, 2018.*

* cited by examiner

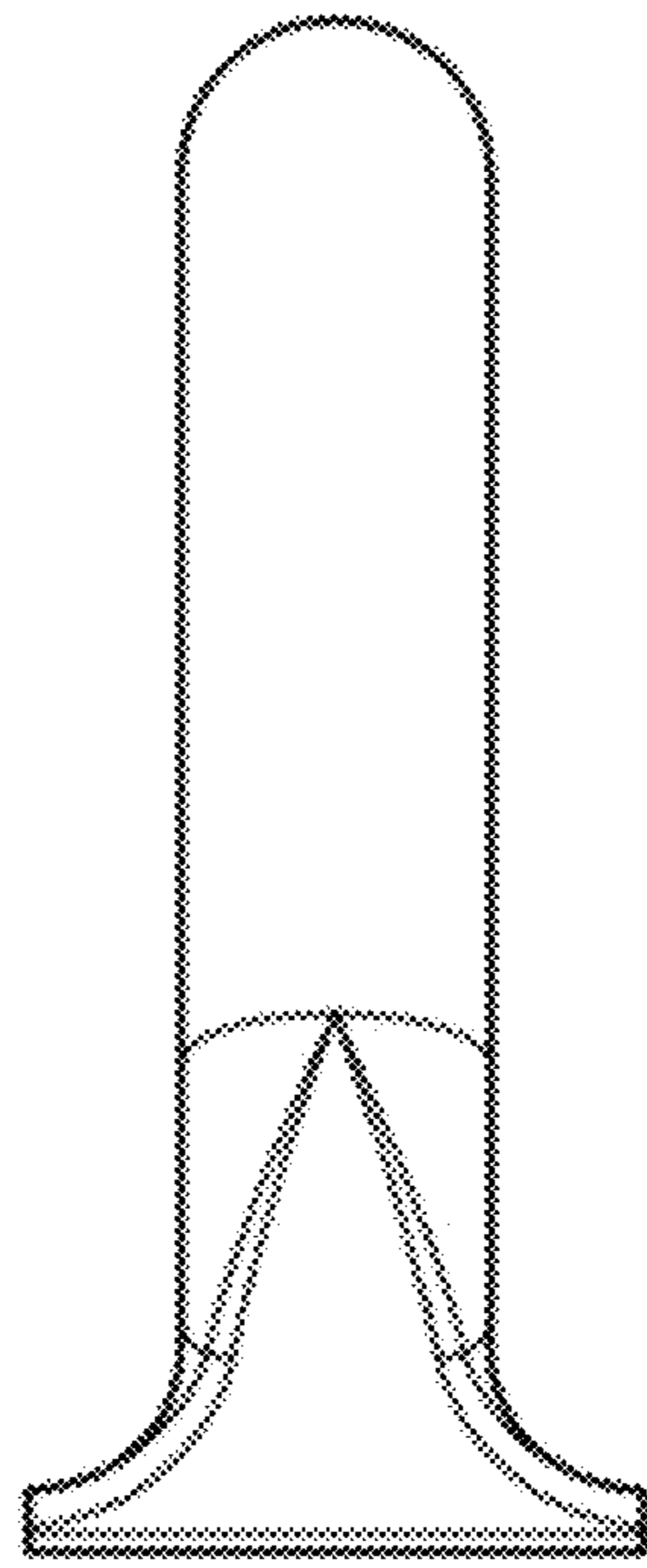


FIG. 1

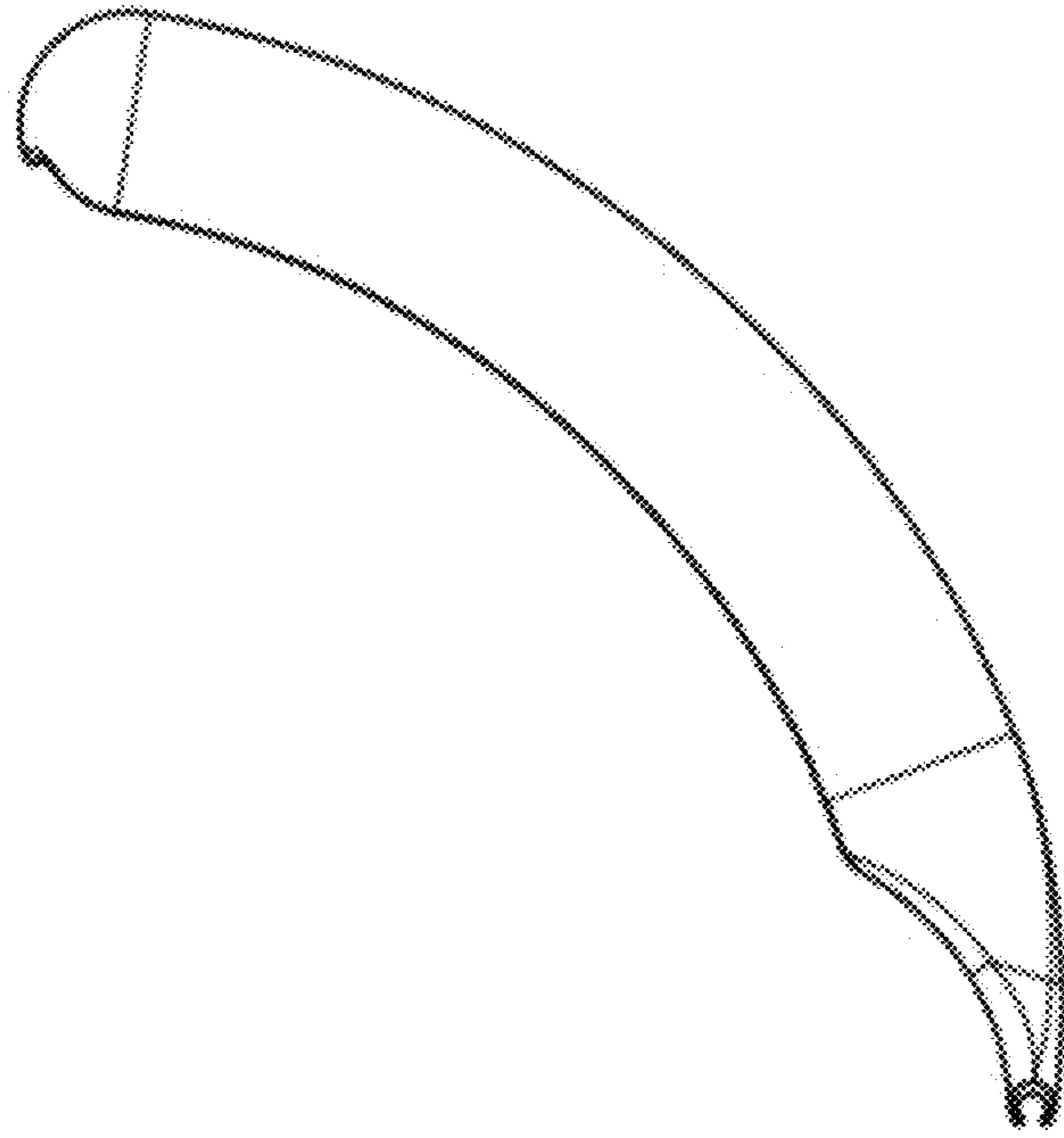


FIG. 2

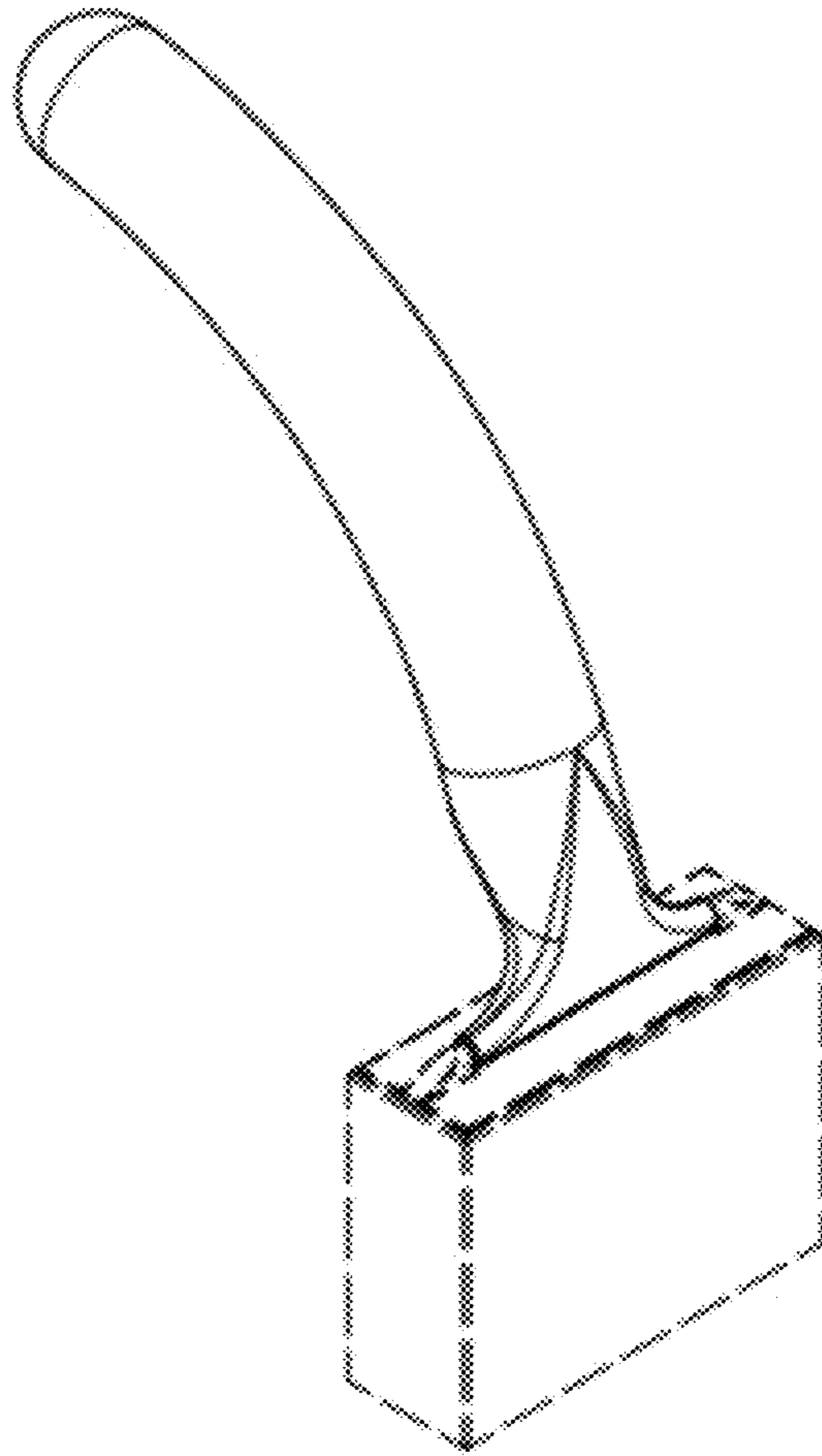


FIG. 3

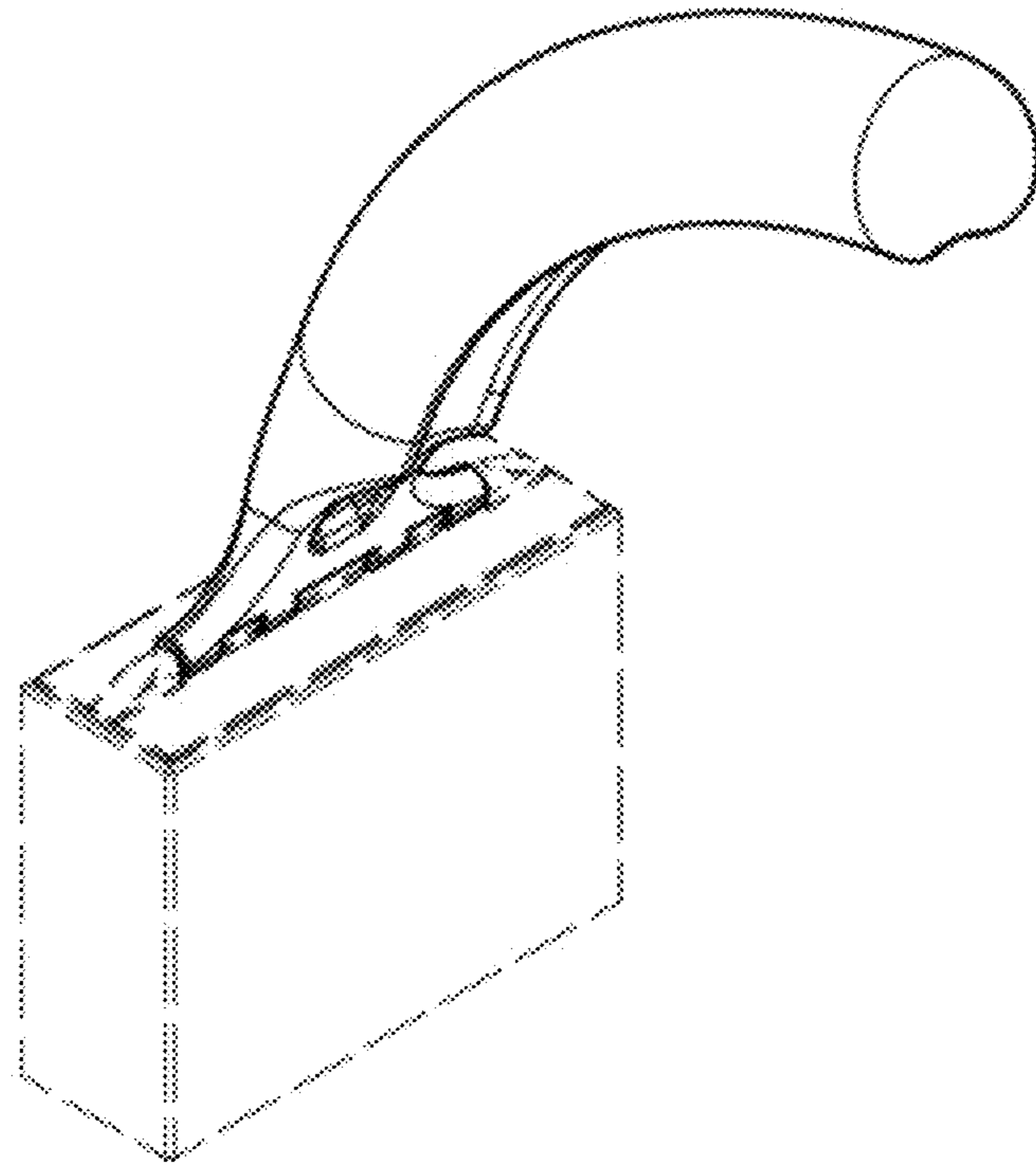


FIG. 4

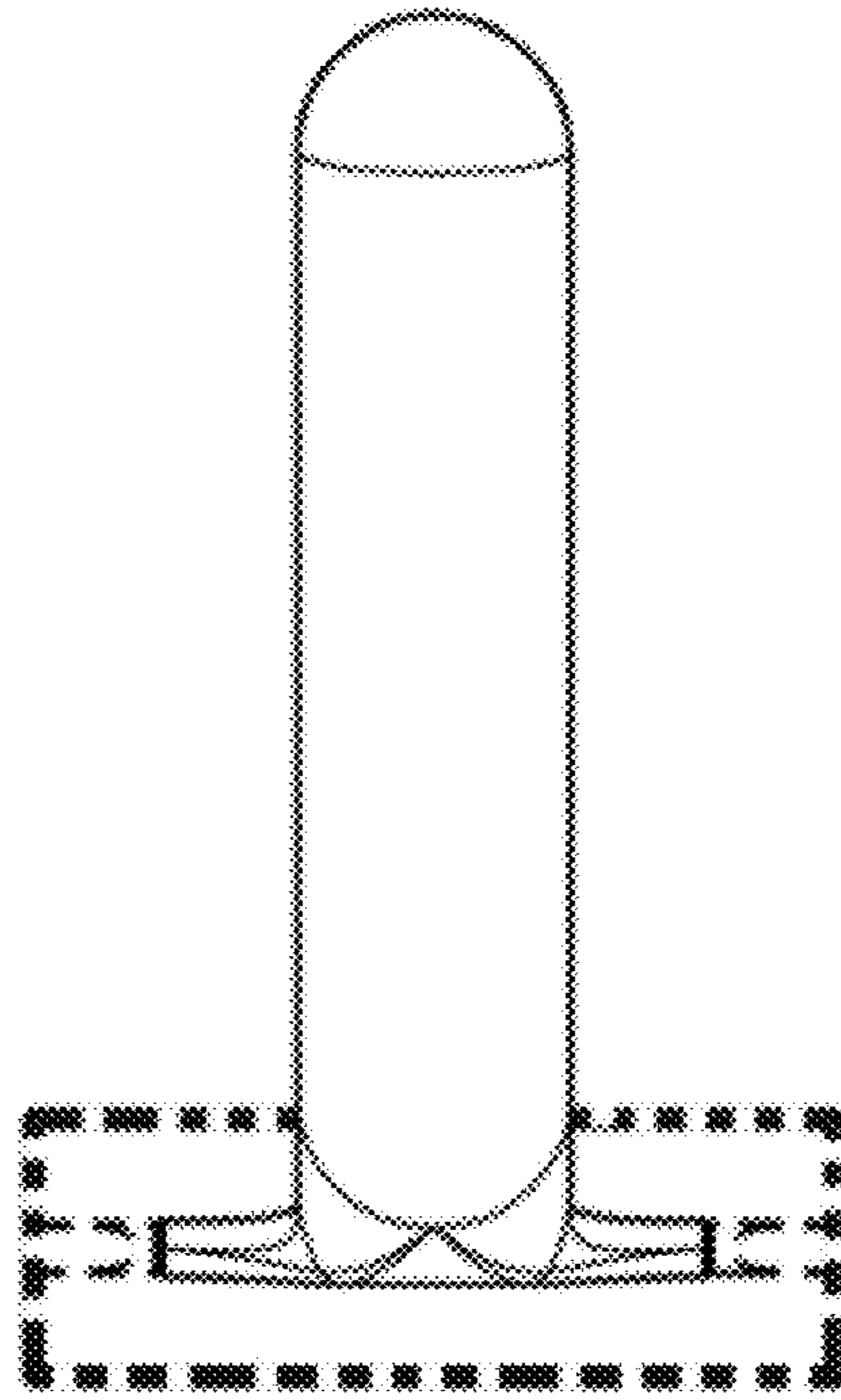


FIG. 5

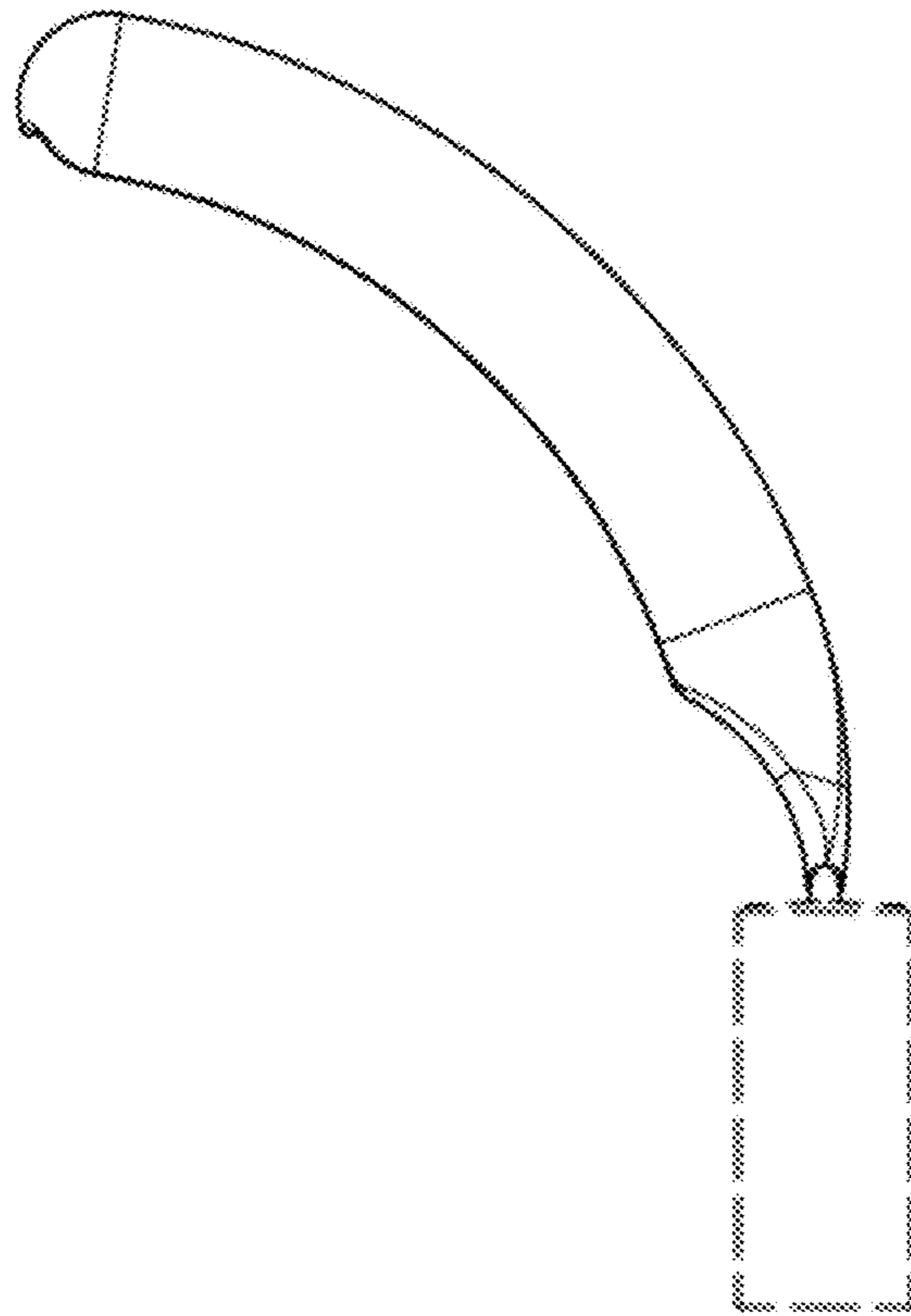


FIG. 6

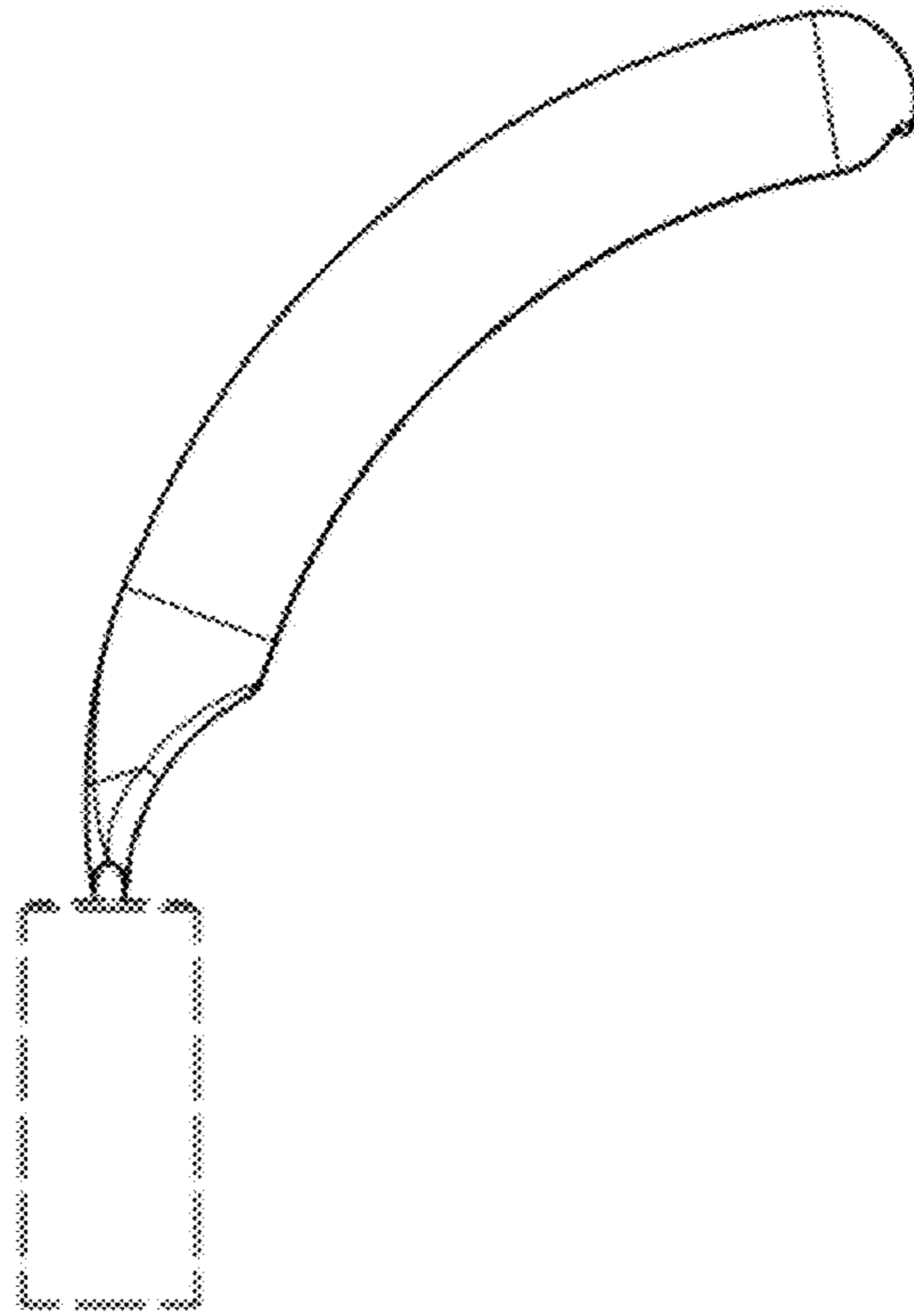


FIG. 7