



US00D843068S

(12) **United States Design Patent** (10) **Patent No.:** **US D843,068 S**
Rousseau et al. (45) **Date of Patent:** **** Mar. 12, 2019**

(54) **FIRE EXTINGUISHER**

(56) **References Cited**

(71) Applicants: **Hector Rousseau**, Riverside, CA (US);
Randy Rousseau, Riverside, CA (US);
Ryan H. Barrows, Eau Claire, WI
(US); **Justun C. Seymour**, Eau Claire,
WI (US)

U.S. PATENT DOCUMENTS

| | | |
|------------|---------|----------------|
| D59,319 S | 10/1921 | Andrews |
| D121,011 S | 3/1940 | Grant, Jr. |
| D152,612 S | 9/1947 | Guise et al. |
| D152,645 S | 2/1948 | Nurkiewicz |
| D152,650 S | 2/1949 | Phister |
| D152,718 S | 2/1949 | Meyer |
| D152,812 S | 2/1949 | Mapes |
| D153,320 S | 4/1949 | Raskob et al. |
| D155,456 S | 10/1949 | Seaberg |
| D158,263 S | 4/1950 | Gordon |
| D164,346 S | 8/1951 | Allen |
| D169,641 S | 5/1953 | Schroeder, Jr. |
| D171,066 S | 12/1953 | Van Sciver |

(72) Inventors: **Hector Rousseau**, Riverside, CA (US);
Randy Rousseau, Riverside, CA (US);
Ryan H. Barrows, Eau Claire, WI
(US); **Justun C. Seymour**, Eau Claire,
WI (US)

(**) Term: **15 Years**

(Continued)

(21) Appl. No.: **29/612,238**

Primary Examiner — Randall H Gholson

(22) Filed: **Jul. 31, 2017**

(74) *Attorney, Agent, or Firm* — Kirk A. Buhler; Buhler & Associates

Related U.S. Application Data

(63) Continuation-in-part of application No. 29/505,639, filed on Dec. 24, 2015, now Pat. No. Des. 796,121, which is a continuation-in-part of application No. 29/526,021, filed on May 5, 2015, now Pat. No. Des. 777,991.

(57) **CLAIM**

The ornamental design for a fire extinguisher, as shown and described.

(51) **LOC (11) Cl.** **29-02**

(52) **U.S. Cl.**

USPC **D29/125**

(58) **Field of Classification Search**

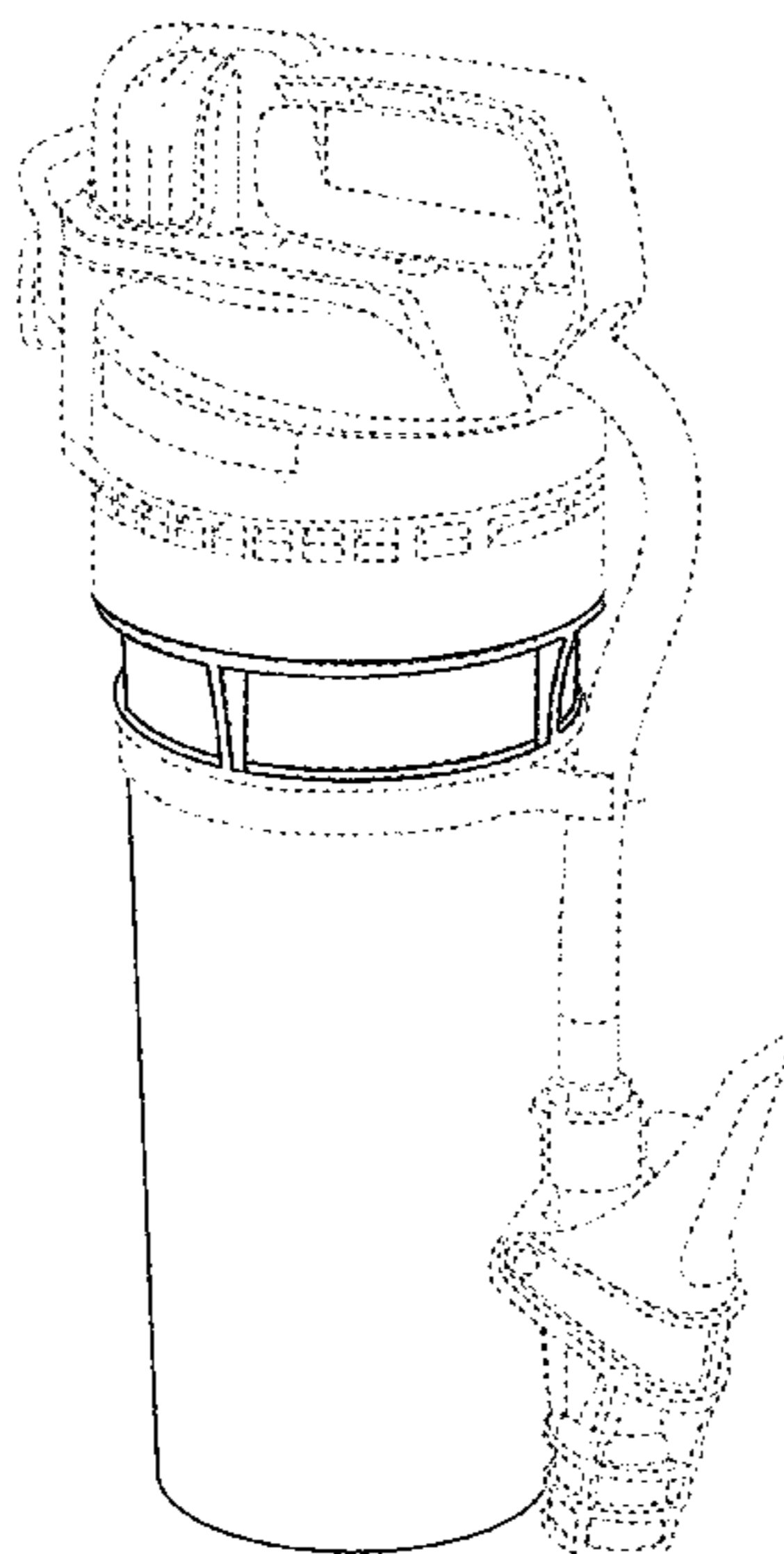
USPC D23/355-369, 213, 214, 223, 224, 225, D23/231; D28/5, 6; 261/DIG. 17, 261/DIG. 42, DIG. 65, DIG. 88, DIG. 89, 261/DIG. 47, DIG. 55, DIG. 70; 392/356, 392/390, 392, 394, 395; 239/34, 44, 53, 239/55, 56, 326, 60, 308, 589; D9/687, D9/600, 695; D7/591; D29/125, 126, D29/129, 130; 169/7, 89; 222/210, 324
CPC .. A62C 2/00; A62C 8/00; A62C 13/76; A62C 13/64

DESCRIPTION

FIG. 1 is a left-side side top view of the cylinder for a fire extinguisher showing our new design; FIG. 2 is a left side view thereof; FIG. 3 is a front view thereof; FIG. 4 is a rear view thereof; FIG. 5 is a right-side view thereof; FIG. 6 is a top view thereof; FIG. 7 is a bottom view thereof; FIG. 8 is a top perspective view thereof; and, FIG. 9 is a bottom perspective view. The features shown in broken lines in the figures depict environmental subject matter only and form no part of the claimed design.

See application file for complete search history.

1 Claim, 5 Drawing Sheets



(56)

References Cited

U.S. PATENT DOCUMENTS

| | | | | |
|-----------|-----|---------|------------------|---------|
| D172,373 | S | 6/1954 | Wagner | |
| D199,980 | S | 1/1965 | Huthsing, Jr. | |
| D202,341 | S | 9/1965 | Rodgers | |
| D203,979 | S | 3/1966 | Brennan et al. | |
| D207,260 | S | 3/1967 | Jensen | |
| D215,654 | S | 10/1969 | Huthsing, Jr. | |
| D228,900 | S | 10/1973 | Hogg | |
| D237,895 | S | 12/1975 | Allen et al. | |
| D244,392 | S | 5/1977 | Montambo | |
| D250,353 | S | 11/1978 | Avant | |
| 4,899,826 | A | 2/1990 | Penn | |
| D307,648 | S | 5/1990 | Arrington | |
| D328,158 | S | 7/1992 | Levy | |
| D328,368 | S | 7/1992 | Levy | |
| D488,589 | S | 4/2004 | Yang et al. | |
| 7,128,163 | B1 | 10/2006 | Rousseau | |
| 7,318,484 | B2 | 1/2008 | Rousseau | |
| D596,459 | S * | 7/2009 | Ghiassi | D7/510 |
| 7,650,948 | B2 | 1/2010 | Rousseau | |
| D643,092 | S | 8/2011 | Bandawat et al. | |
| D689,332 | S * | 9/2013 | Krasner | D30/132 |
| D706,388 | S | 6/2014 | Abernethy et al. | |
| 8,757,282 | B2 | 6/2014 | Rousseau | |
| D712,254 | S | 9/2014 | Geis et al. | |
| D713,005 | S | 9/2014 | Nicolia et al. | |
| D713,501 | S | 9/2014 | Nicolia et al. | |
| 8,820,423 | B2 | 9/2014 | Rousseau | |
| D828,639 | S * | 9/2018 | Kim | D29/125 |

* cited by examiner

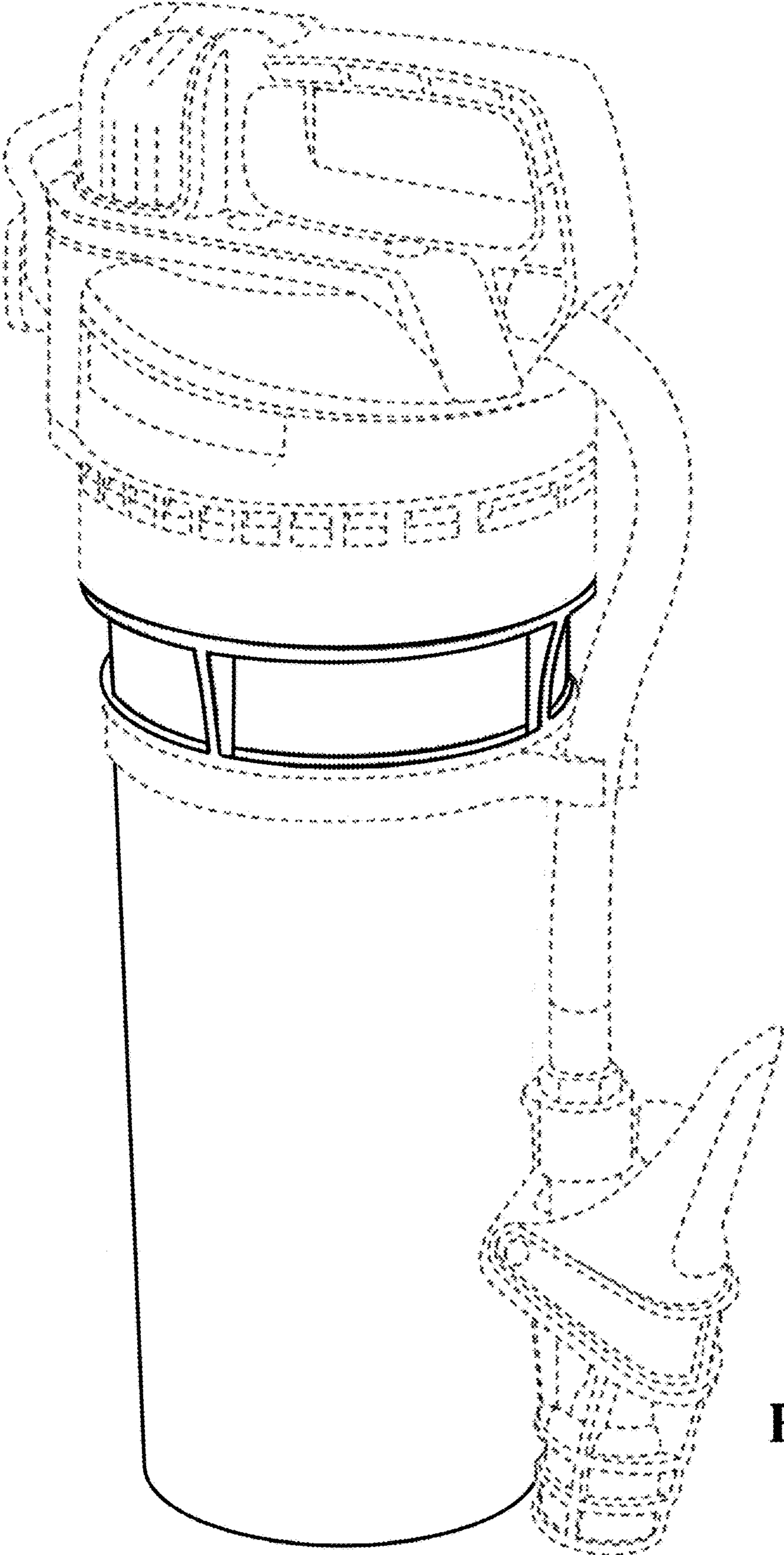


FIG 1

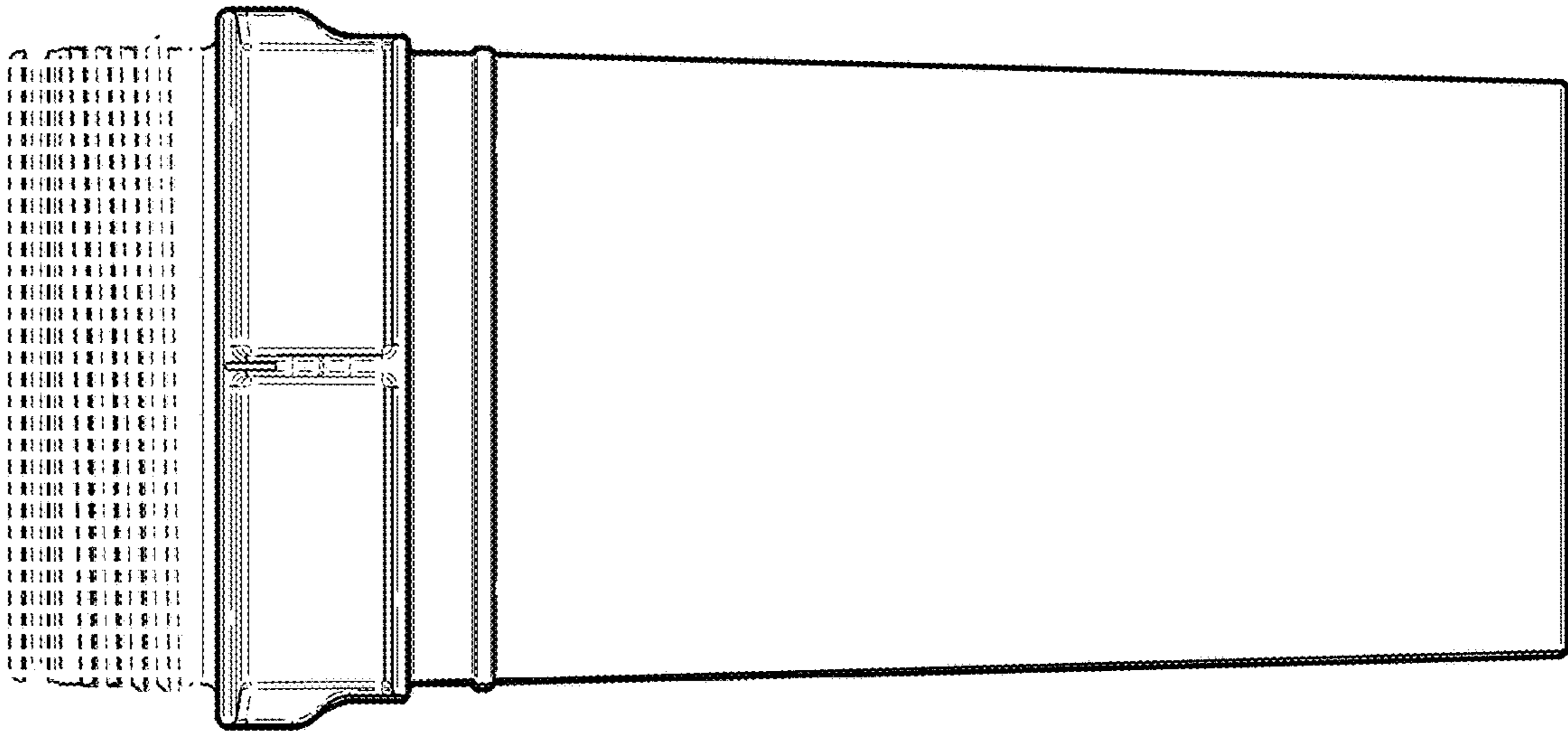


FIG. 2

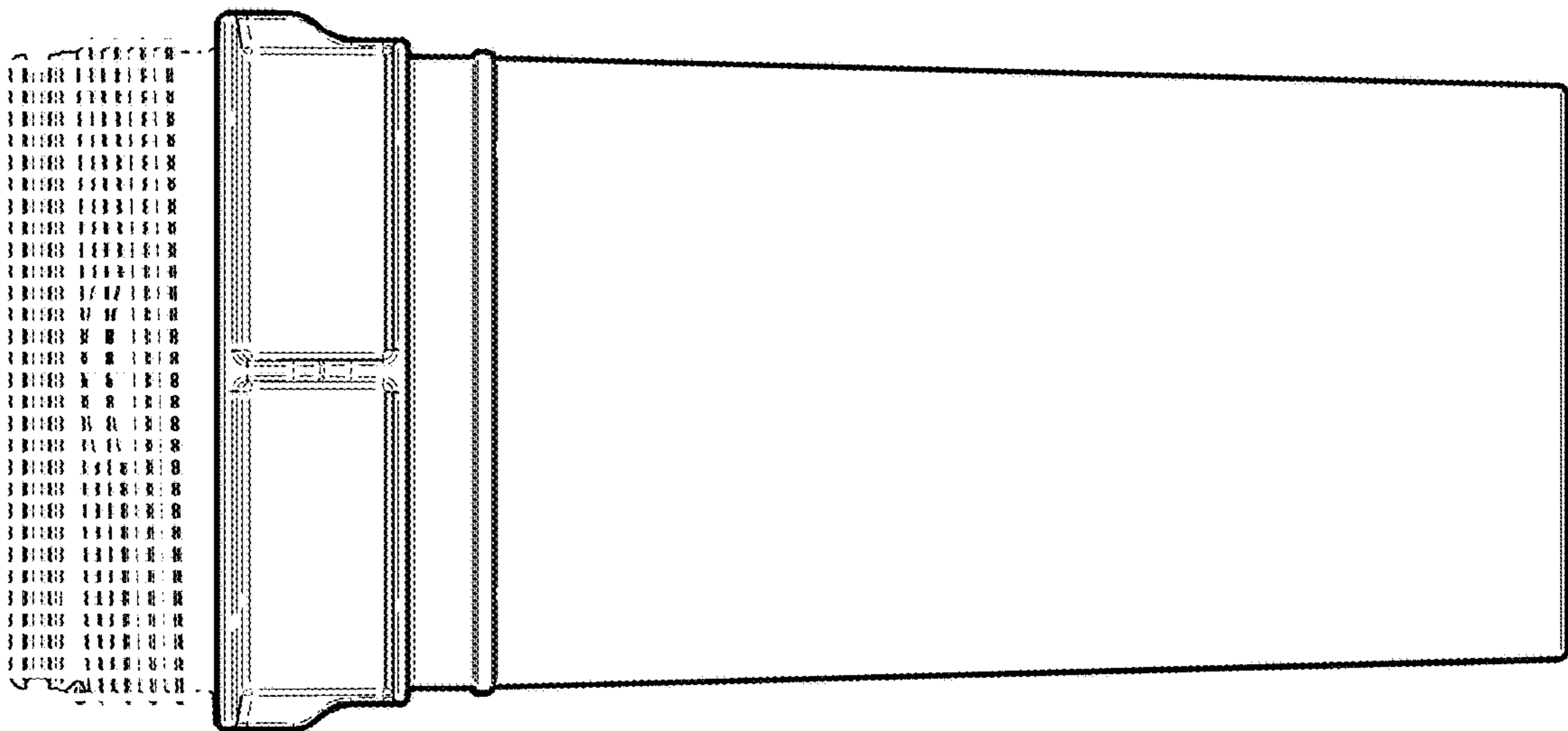


FIG. 3

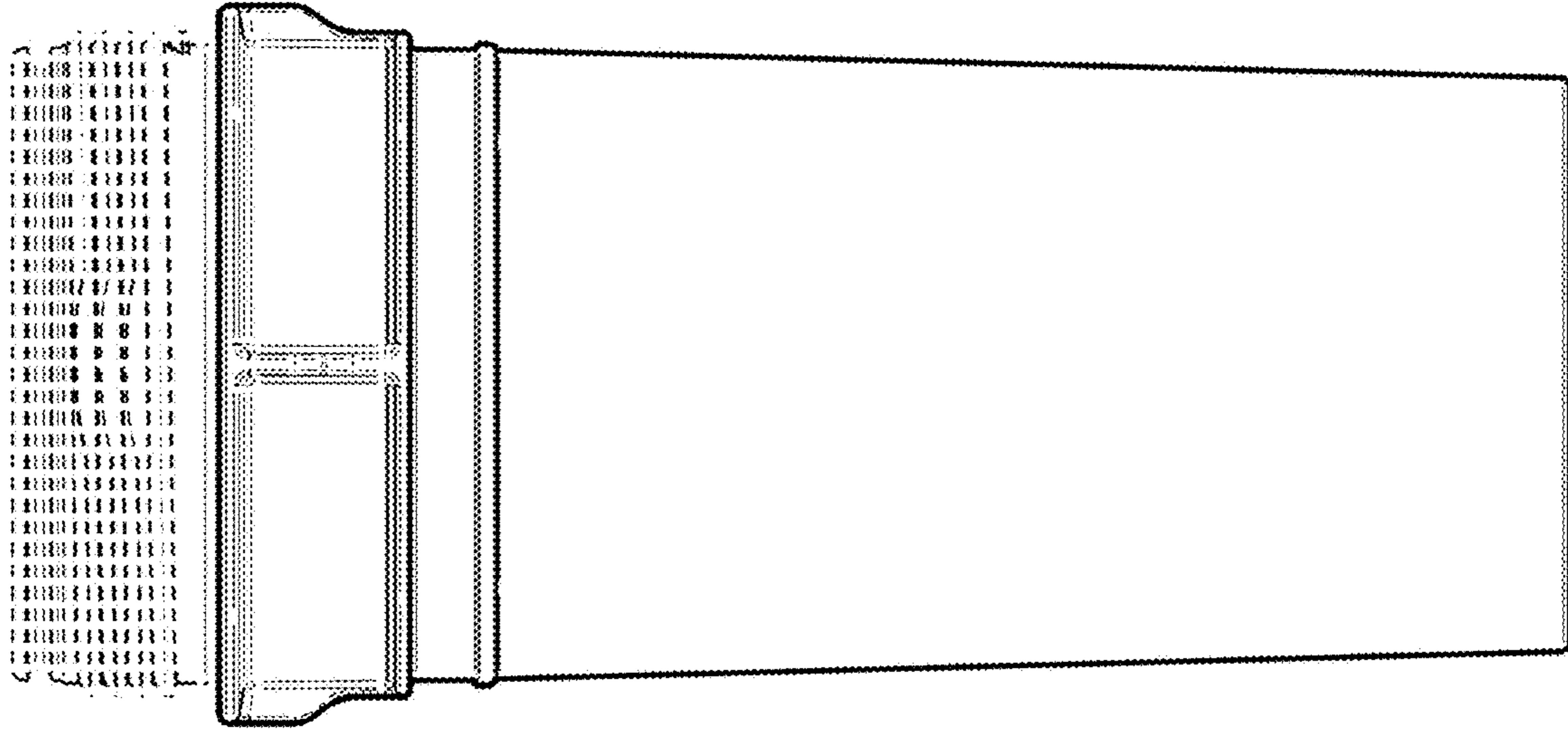


FIG 4

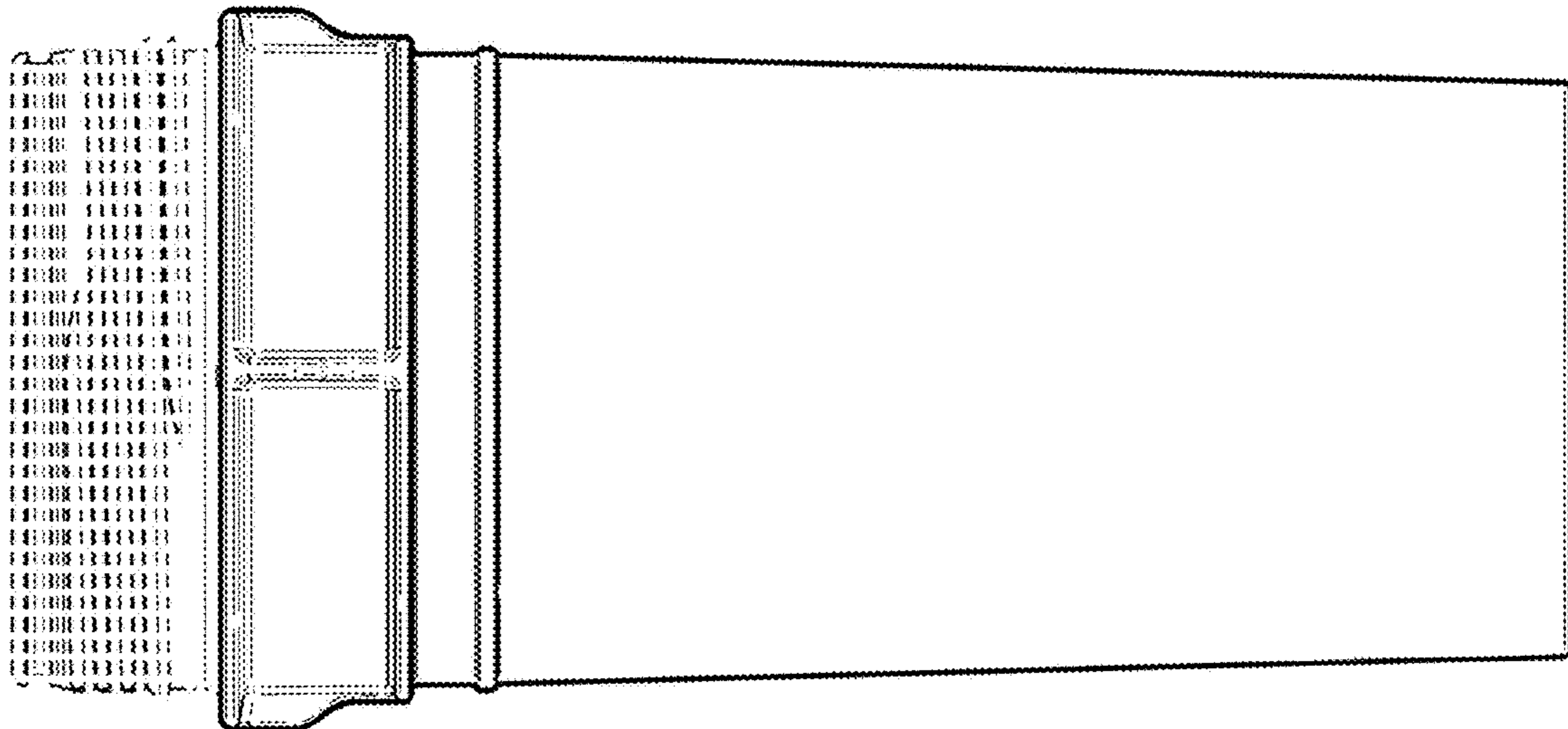


FIG 5

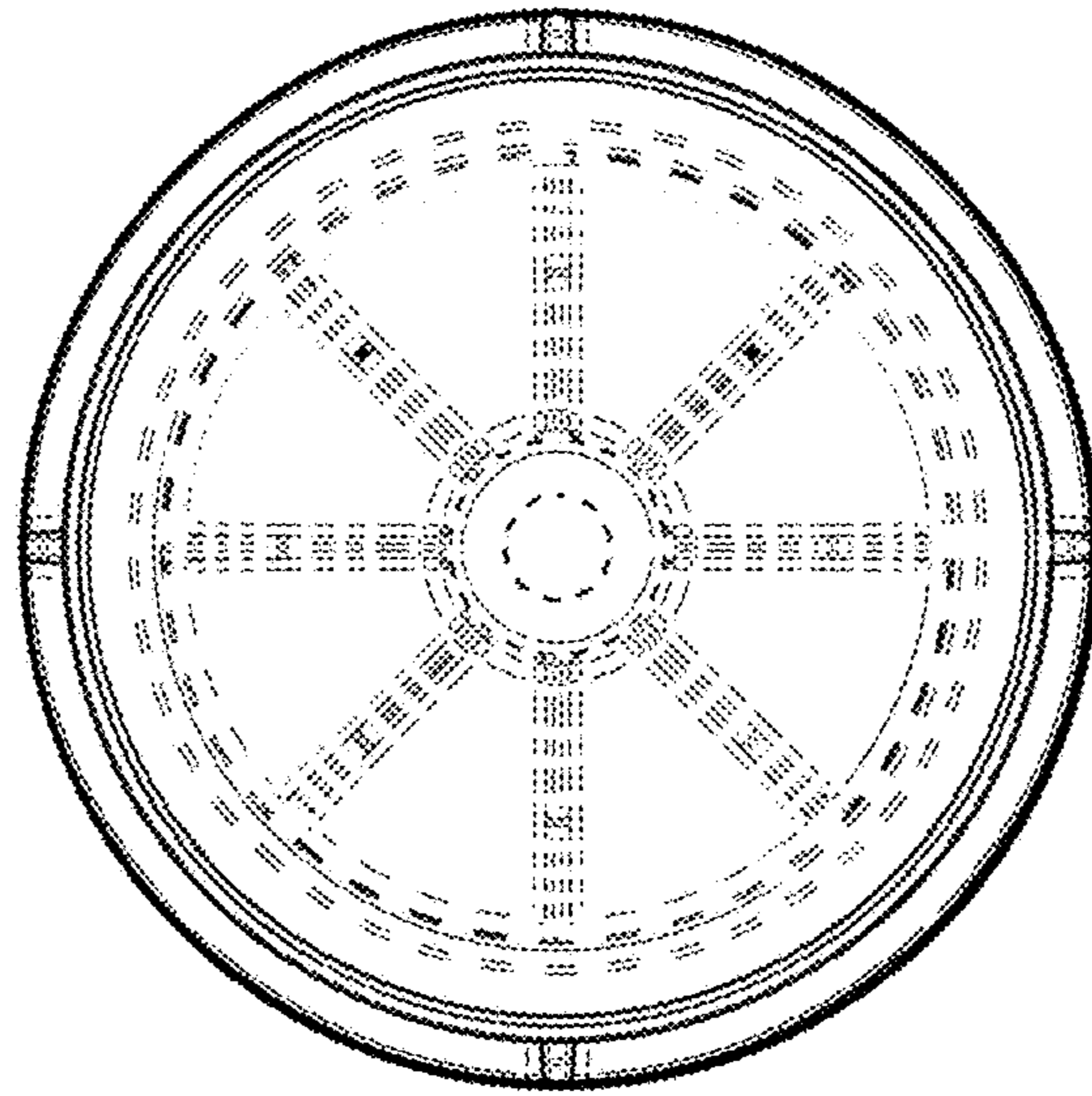


FIG. 6

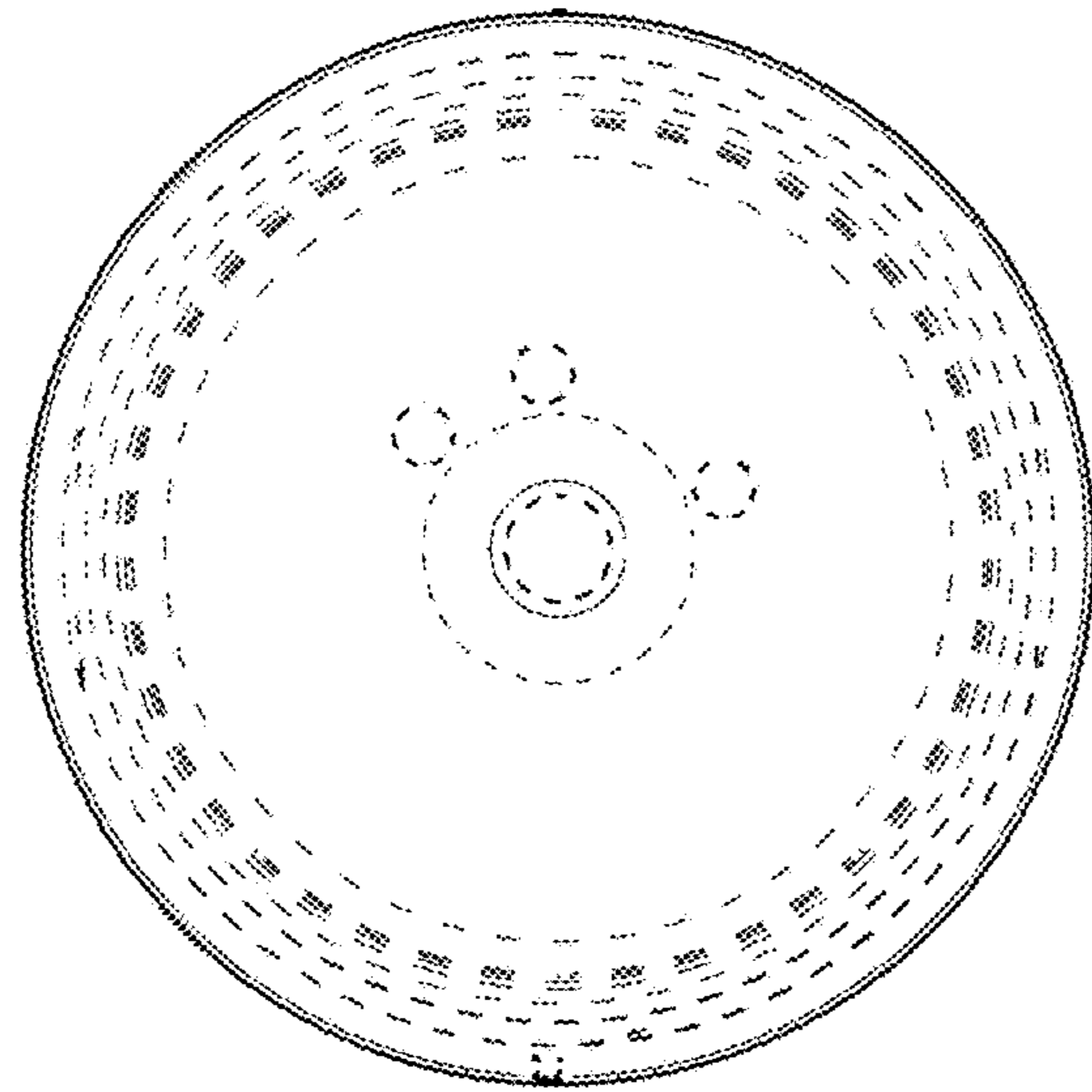


FIG. 7

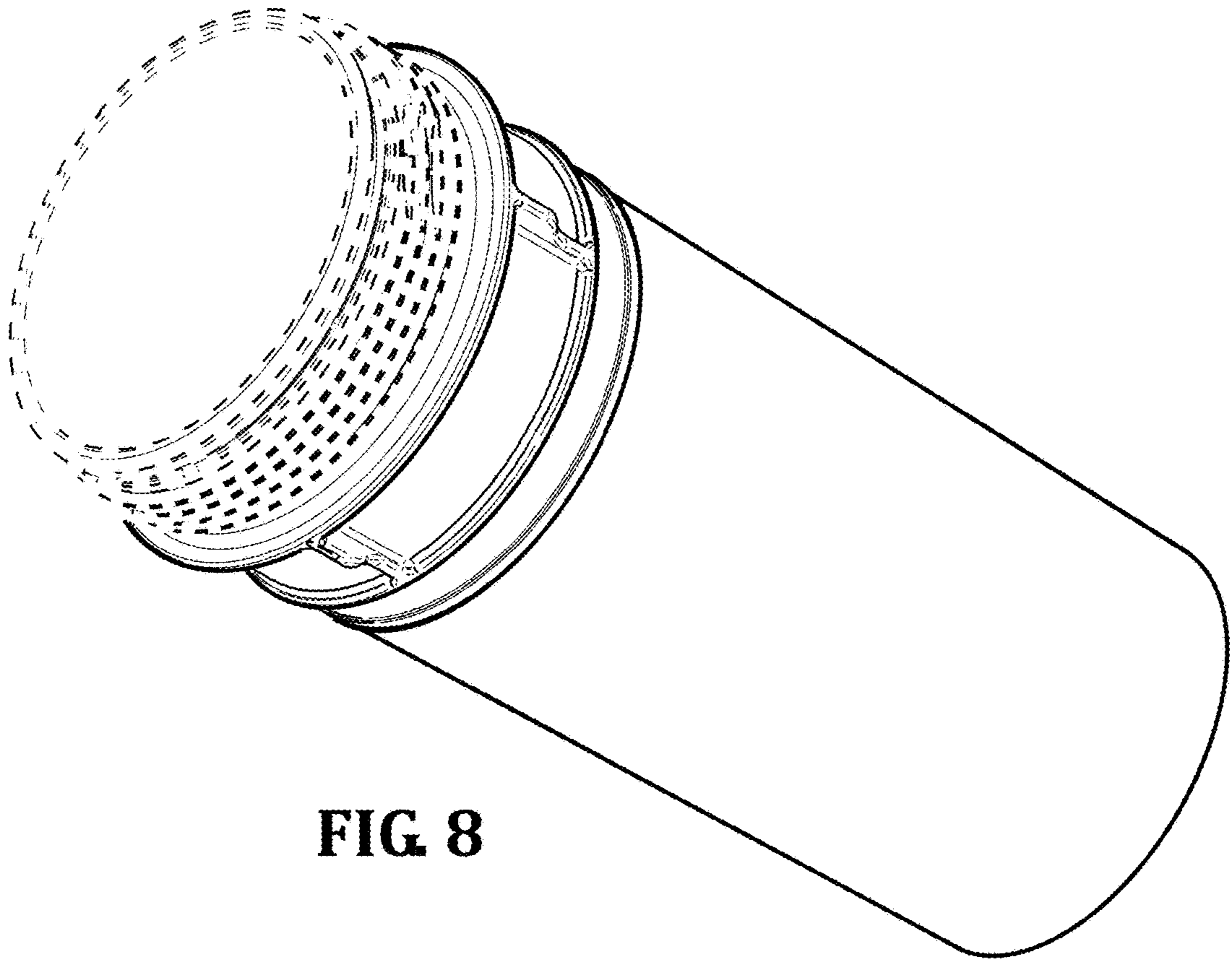


FIG 8

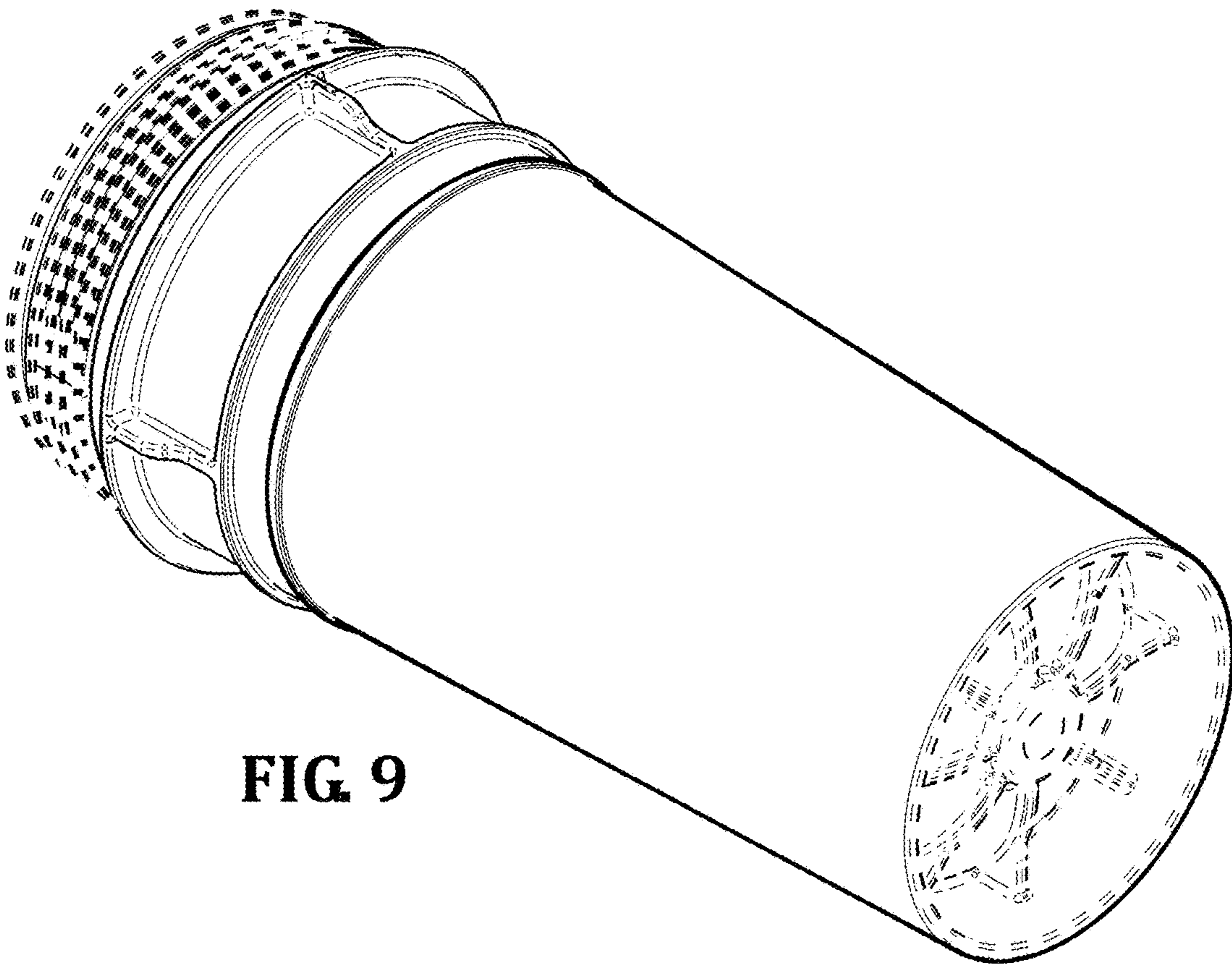


FIG 9