



US00D843067S

(12) **United States Design Patent** (10) **Patent No.:** **US D843,067 S**
Seymour et al. (45) **Date of Patent:** **** Mar. 12, 2019**

(54) **FIRE EXTINGUISHER FLUFFING WRENCH**

(71) Applicants: **Justun C. Seymour**, Eau Claire, WI (US); **Seth Rooney**, Chippewa Falls, WI (US)

(72) Inventors: **Justun C. Seymour**, Eau Claire, WI (US); **Seth Rooney**, Chippewa Falls, WI (US)

(**) Term: **15 Years**

(21) Appl. No.: **29/602,227**

(22) Filed: **Apr. 28, 2017**

(51) **LOC (11) Cl.** **29-02**

(52) **U.S. Cl.**
USPC **D29/125**

(58) **Field of Classification Search**
USPC D23/355-369, 213, 214, 223, 224, 225, D23/231; D28/5, 6; 261/DIG. 17, 261/DIG. 42, DIG. 65, DIG. 88, DIG. 89, 261/DIG. 47, DIG. 55, DIG. 70; 392/356, 392/390, 392, 394, 395; 239/34, 44, 53, 239/55, 56, 326, 60, 308, 589; D9/687, D9/600, 695; D7/591; D29/125, 126, D29/129, 130; 169/7, 89; 222/210, 324
CPC .. A62C 2/00; A62C 8/00; A62C 13/76; A62C 13/64
See application file for complete search history.

(56) **References Cited**

U.S. PATENT DOCUMENTS

D59,319 S	10/1921	Andrews
D121,011 S	3/1940	Grant, Jr.
D152,612 S	9/1947	Guisse et al.
D152,645 S	2/1948	Nurkiewicz
D152,650 S	2/1949	Phister
D152,718 S	2/1949	Meyer
D152,812 S	2/1949	Mapes
D153,320 S	4/1949	Raskob et al.

D155,456 S	10/1949	Seaberg
D158,263 S	4/1950	Gordon
D164,346 S	8/1951	Allen
D169,641 S	5/1953	Schroeder, Jr.
D171,066 S	12/1953	Van Sciver
D172,373 S	6/1954	Wagner
D199,980 S	1/1965	Huthsing, Jr.
D202,341 S	9/1965	Rodgers
D203,979 S	3/1966	Brennan et al.
D207,260 S	3/1967	Jensen
D215,654 S	10/1969	Huthsing, Jr.
D228,900 S	10/1973	Hogg
D237,895 S	12/1975	Allen et al.
D244,392 S	5/1977	Montambo
D250,353 S	11/1978	Avant
4,899,826 A	2/1990	Penn
D307,648 S	5/1990	Arrington

(Continued)

Primary Examiner — Randall H Gholson

(74) *Attorney, Agent, or Firm* — Kirk A. Buhler; Buhler & Associates

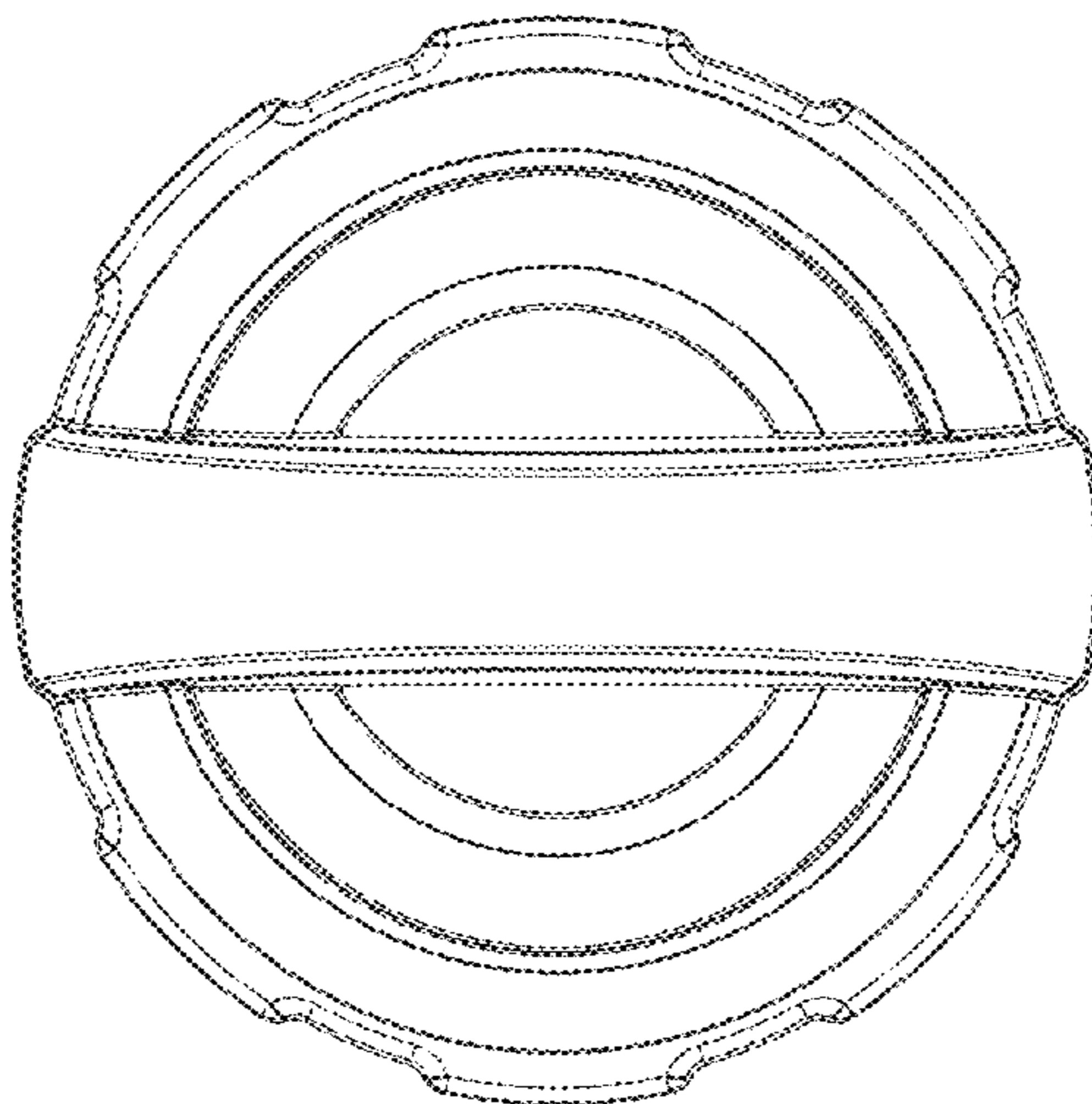
(57) **CLAIM**

The ornamental design for a fire extinguisher fluffing wrench, as shown and described.

DESCRIPTION

FIG. 1 is a top view of the fire extinguisher fluffing wrench showing our new design;
 FIG. 2 is a front view the rear view being a mirror image thereof;
 FIG. 3 is a bottom view thereof;
 FIG. 4 is a top perspective view thereof;
 FIG. 5A is a top perspective view of the wrench on a fire extinguisher thereof; and,
 FIG. 5B is a top perspective view of the wrench displaced from a fire extinguisher.
 The features shown in broken lines in FIGS. 3, 5A and 5B depict environmental subject matter only and form no part of the claimed design.

1 Claim, 4 Drawing Sheets



(56)

References Cited

U.S. PATENT DOCUMENTS

D328,158	S	7/1992	Levy	
D328,368	S	7/1992	Levy	
D488,589	S	4/2004	Yang et al.	
7,128,163	B1	10/2006	Rousseau	
7,318,484	B2	1/2008	Rousseau	
7,650,948	B2	1/2010	Rousseau	
D615,360	S *	5/2010	Joy	D7/510
D649,879	S *	12/2011	Gullickson	D9/443
8,734,874	B1 *	5/2014	Paolone	A23F 5/243 220/254.1
8,757,282	B2	6/2014	Rousseau	
8,820,423	B2	9/2014	Rousseau	

* cited by examiner

FIG. 1

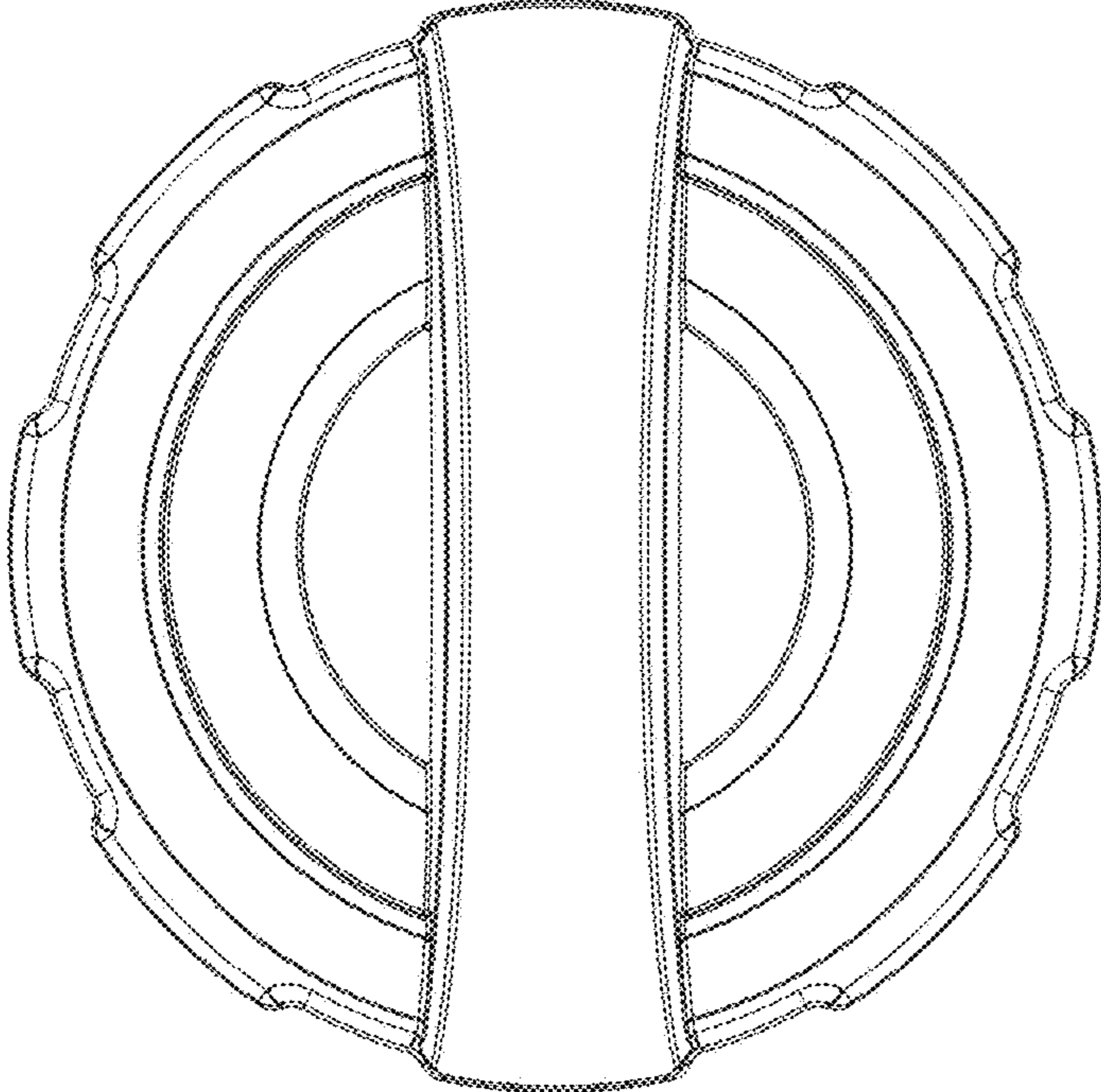
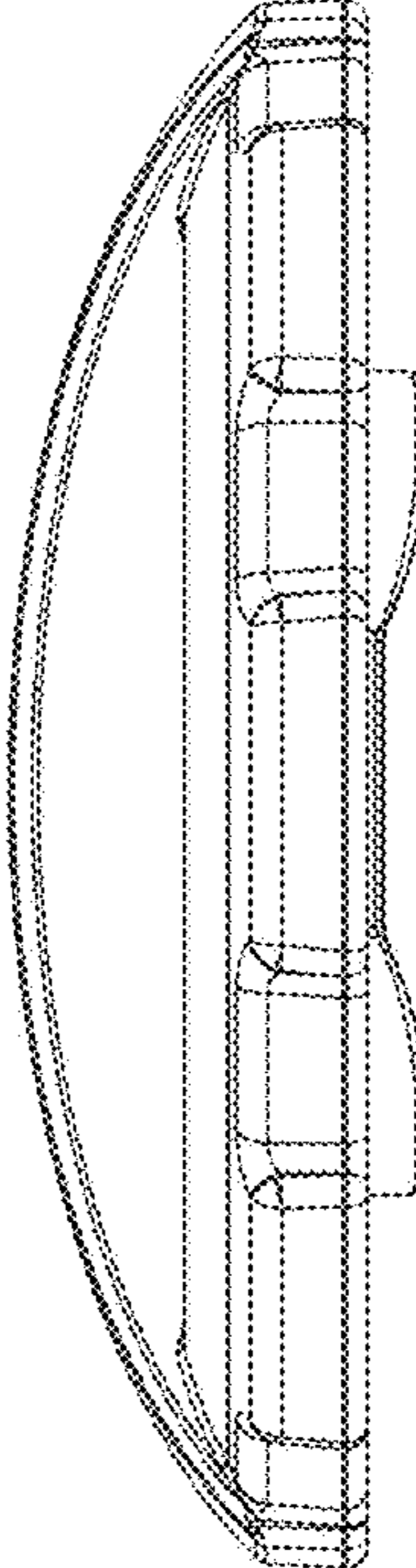


FIG. 2



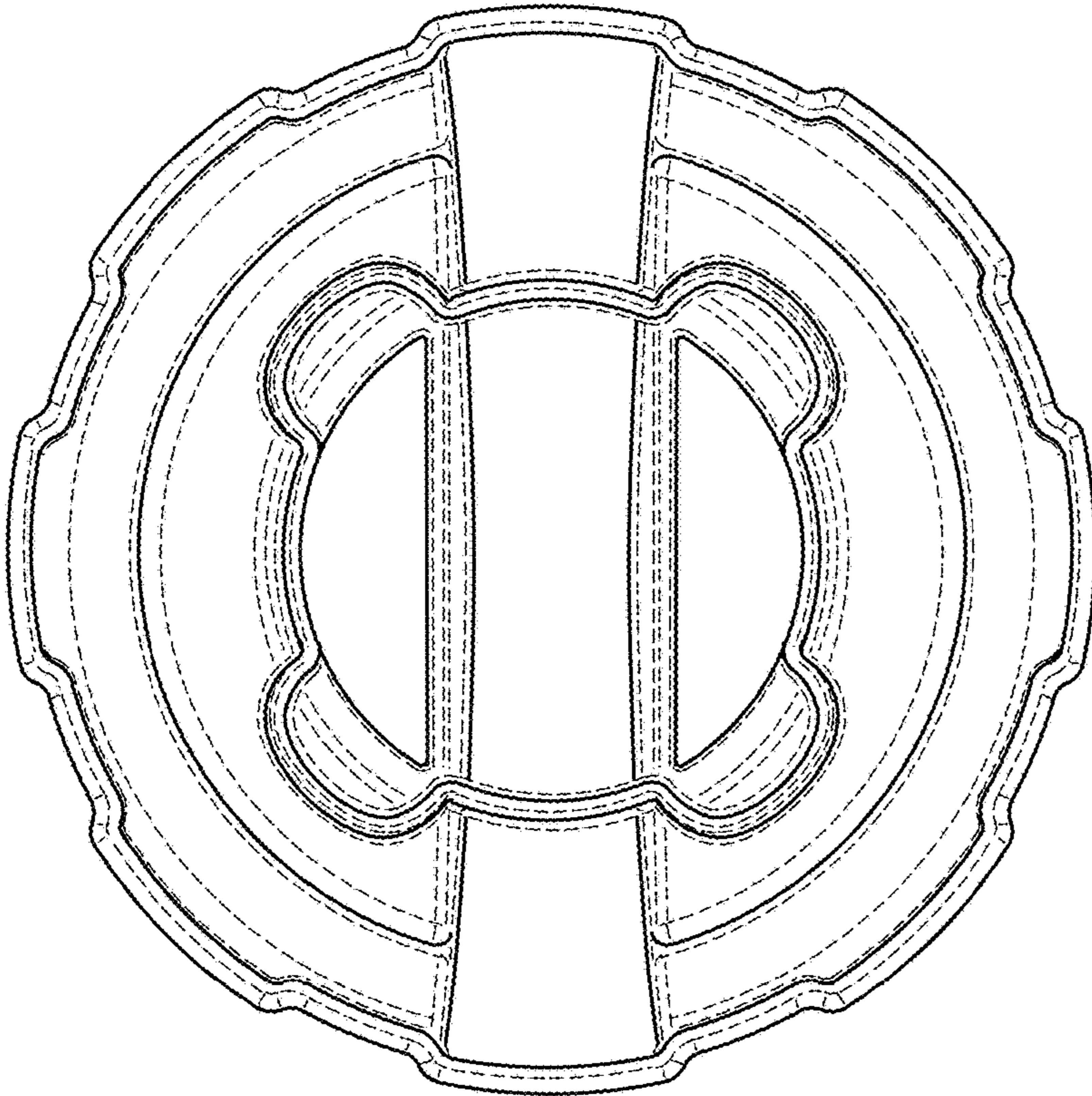


FIG. 3

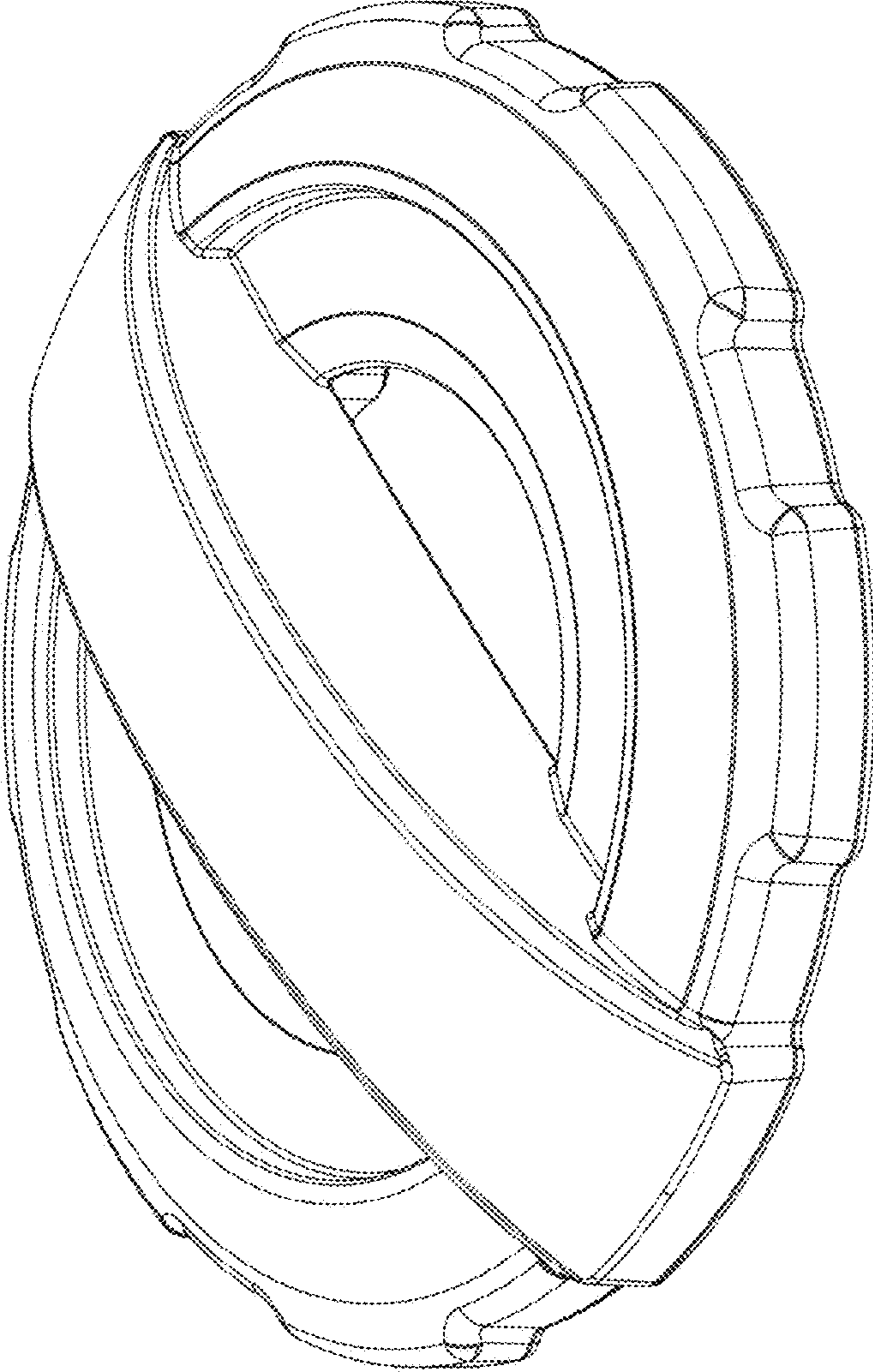


FIG. 4

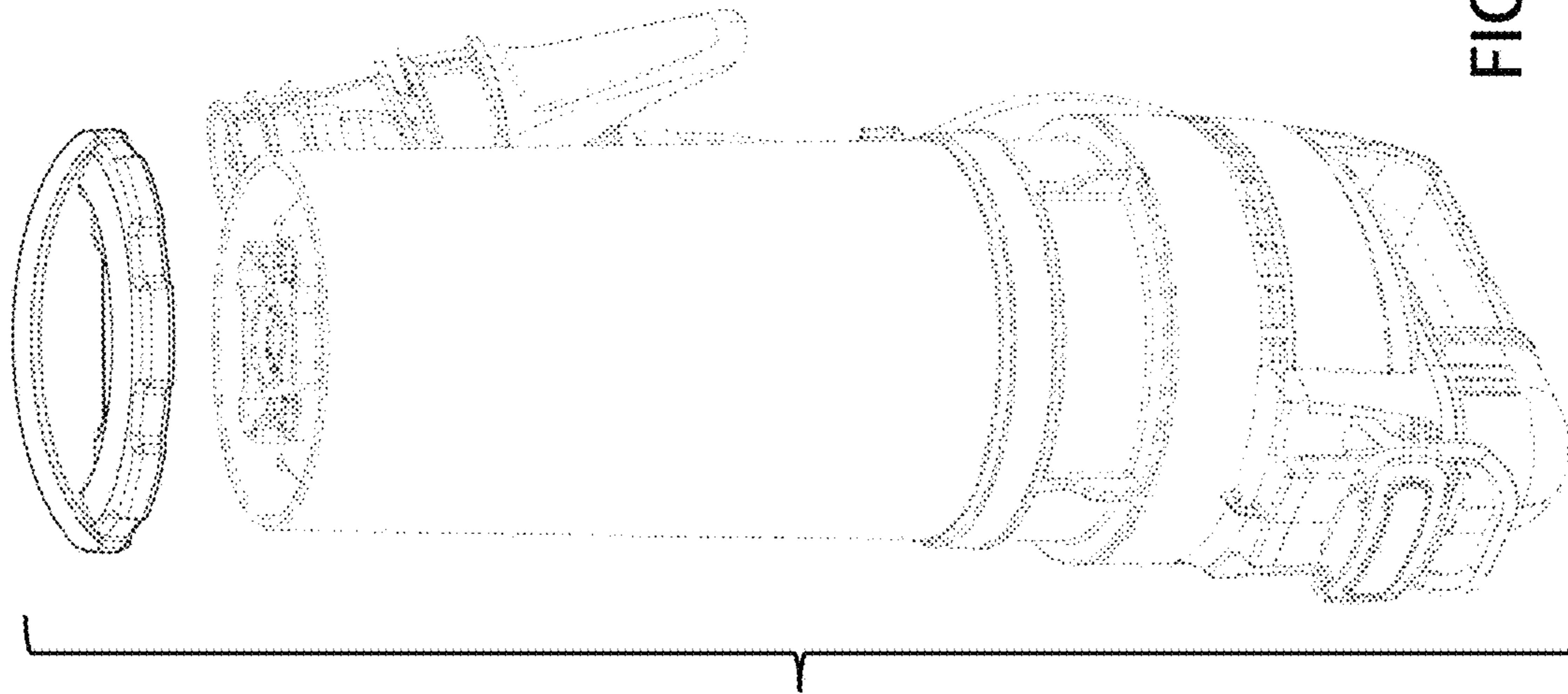


FIG. 5B

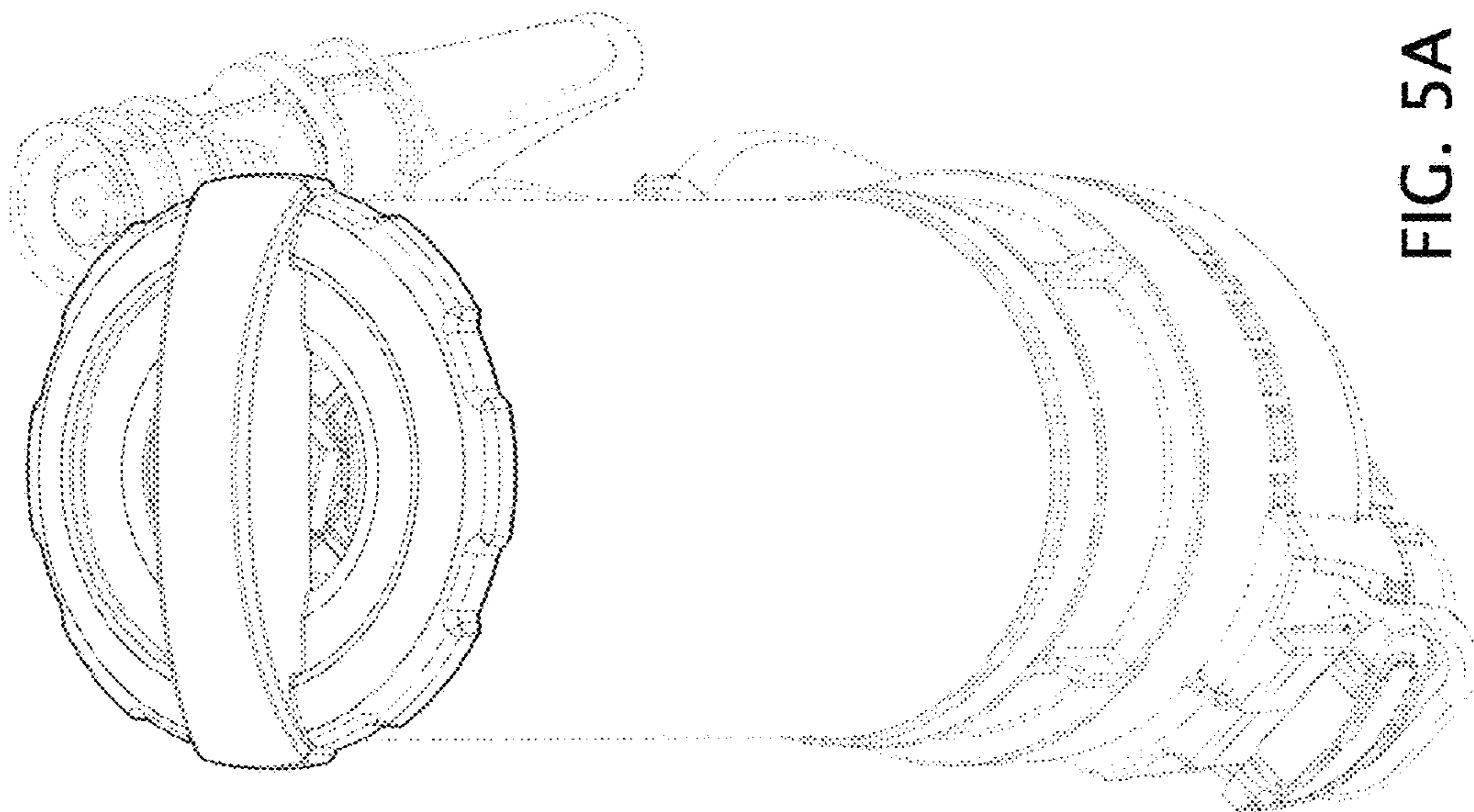


FIG. 5A