



US00D843066S

(12) **United States Design Patent**  
**Peelgrane**

(10) **Patent No.:** **US D843,066 S**

(45) **Date of Patent:** **\*\* Mar. 12, 2019**

(54) **TACTICAL HELMET COVER**

(71) Applicant: **RE FACTOR TACTICAL, LLC.**,  
Englewood, CO (US)

(72) Inventor: **Luke Quinn Peelgrane**, Englewood,  
CO (US)

(73) Assignee: **RE FACTOR TACTICAL, LLC.**,  
Englewood, CO (US)

(\*\*) Term: **15 Years**

(21) Appl. No.: **29/629,917**

(22) Filed: **Dec. 18, 2017**

(51) **LOC (11) Cl.** ..... **29-02**

(52) **U.S. Cl.**  
USPC ..... **D29/122; D29/107**

(58) **Field of Classification Search**  
USPC ..... D29/100, 102, 104, 105, 106, 107, 108,  
D29/109, 110, 122  
CPC .. A42B 1/066; A42B 1/00; A42B 1/06; A42B  
3/228; A42B 3/00; A42B 3/08; A42B  
3/32; A42B 3/222; A42B 3/20; A42B  
3/227; A42B 3/105; A42B 3/04; A42B  
3/06; A42B 3/0406; A42B 3/18; A42B  
3/166; A42B 3/16; A42B 3/22; A42B  
3/0473; A42B 3/127; A63B 71/10; A63B  
71/105; A41D 13/0512

See application file for complete search history.

(56) **References Cited**

U.S. PATENT DOCUMENTS

D735,417 S \* 7/2015 Stauning ..... D29/102  
D752,820 S \* 3/2016 Skerbinc-Heller ..... D29/122

\* cited by examiner

*Primary Examiner* — Randall H Gholson

(74) *Attorney, Agent, or Firm* — Workman Nydegger

(57) **CLAIM**

The ornamental design for a tactical helmet cover, as shown and described.

**DESCRIPTION**

FIG. 1 illustrates a top, right perspective view of an exemplary use of a tactical helmet cover incorporating the new design;

FIG. 2 illustrates a top, right perspective view of the tactical helmet cover incorporating the new design, shown removed from but configured for use with a tactical helmet;

FIG. 3 illustrates a top plan view thereof;

FIG. 4 illustrates a bottom plan view thereof;

FIG. 5 illustrates a front elevation view thereof;

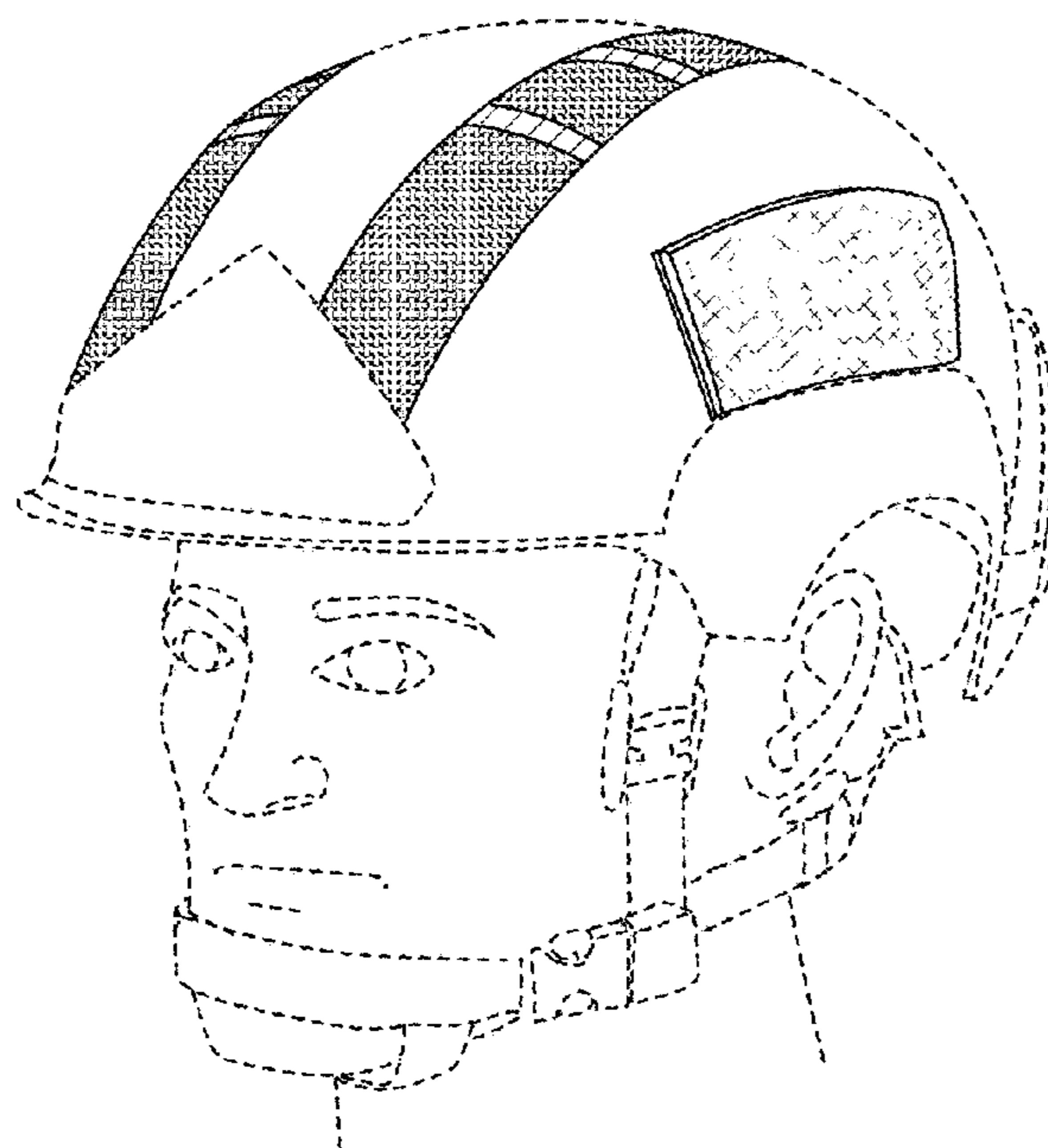
FIG. 6 illustrates a rear elevation view thereof;

FIG. 7 illustrates a right side elevation view thereof; and,

FIG. 8 illustrates a left side elevation view thereof.

In the drawings, the broken lines depict portions of the tactical helmet cover or other environmental structure that form no part of the claimed design.

**1 Claim, 4 Drawing Sheets**



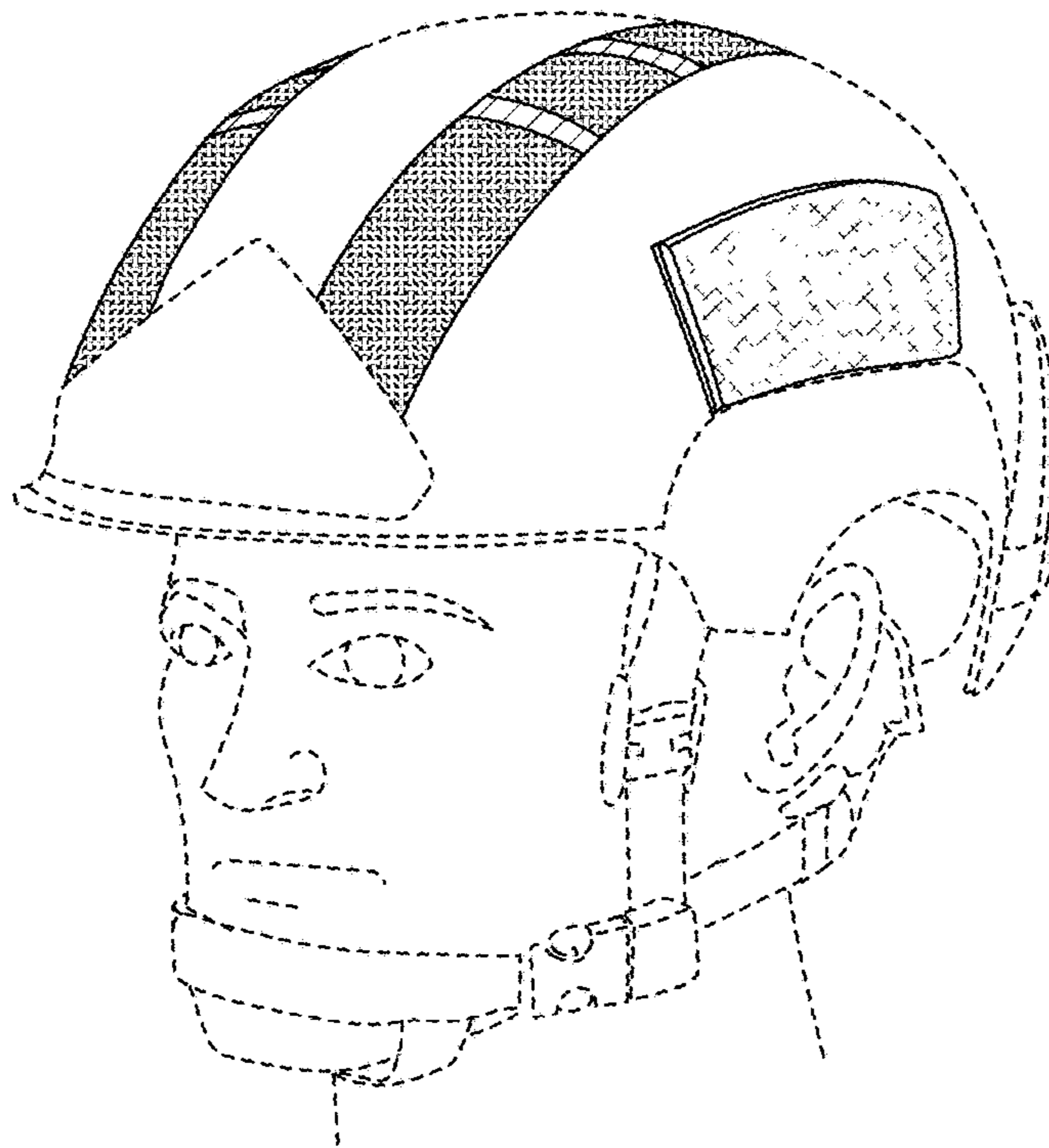


FIG. 1

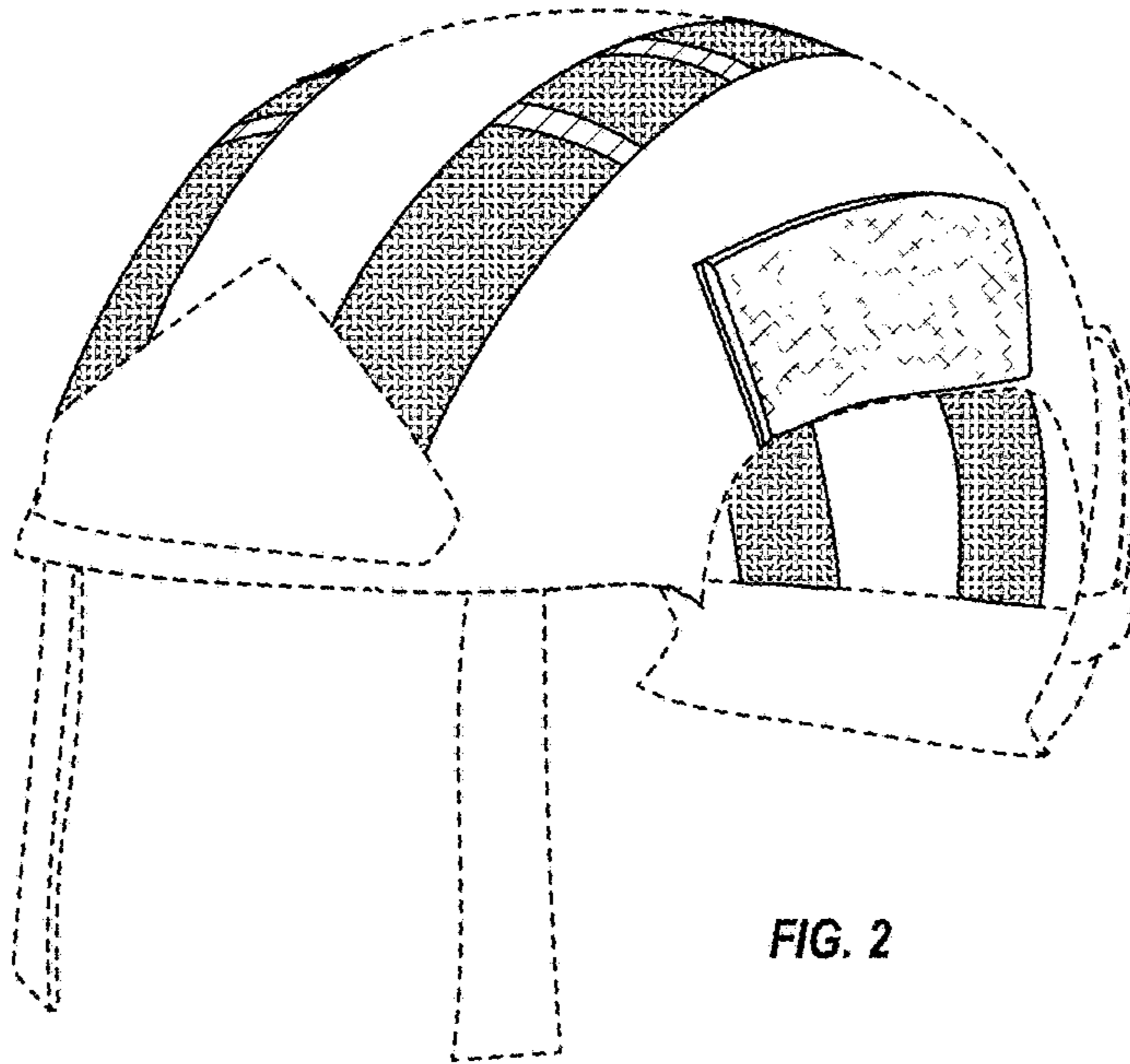


FIG. 2

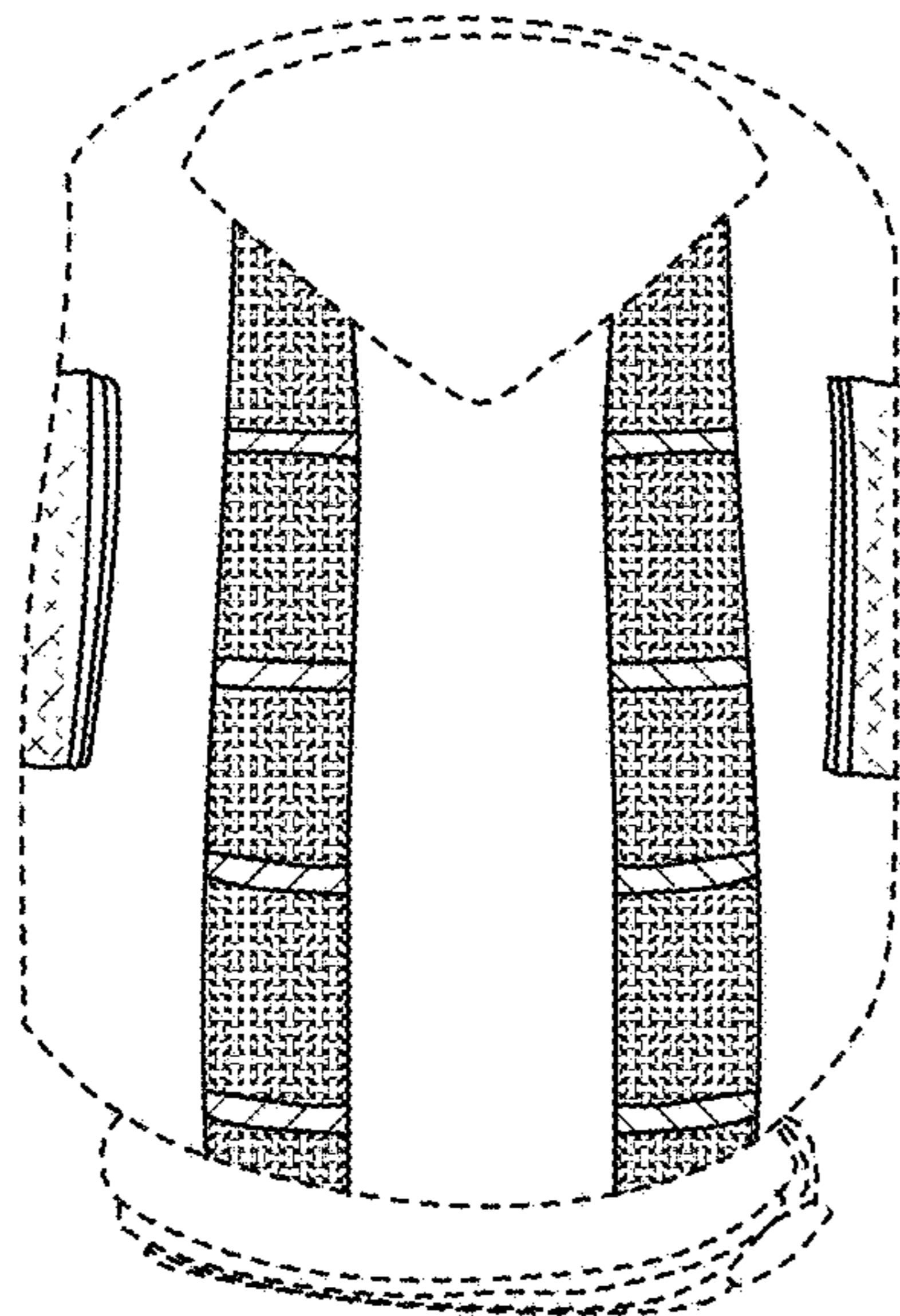


FIG. 3

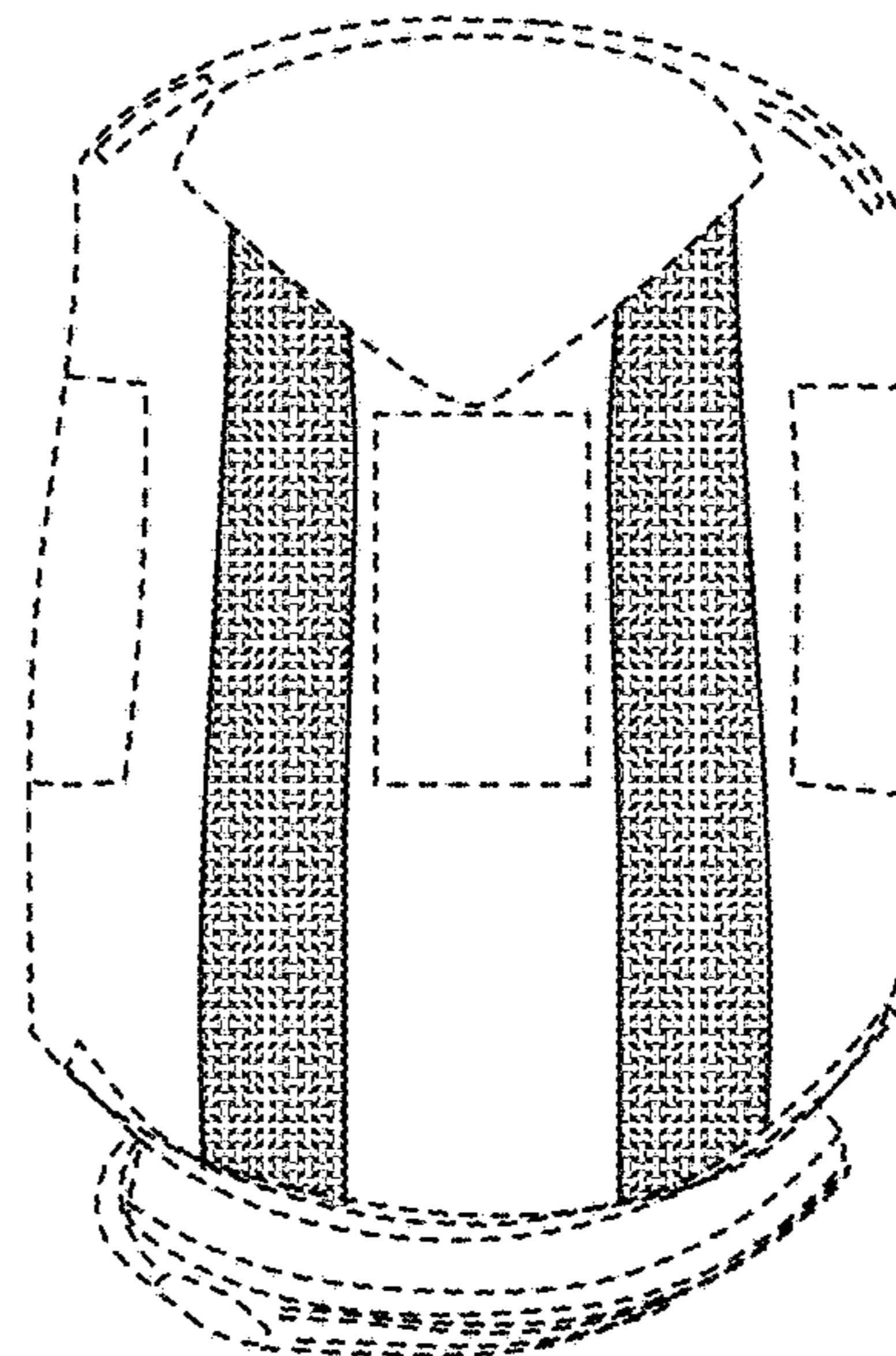


FIG. 4

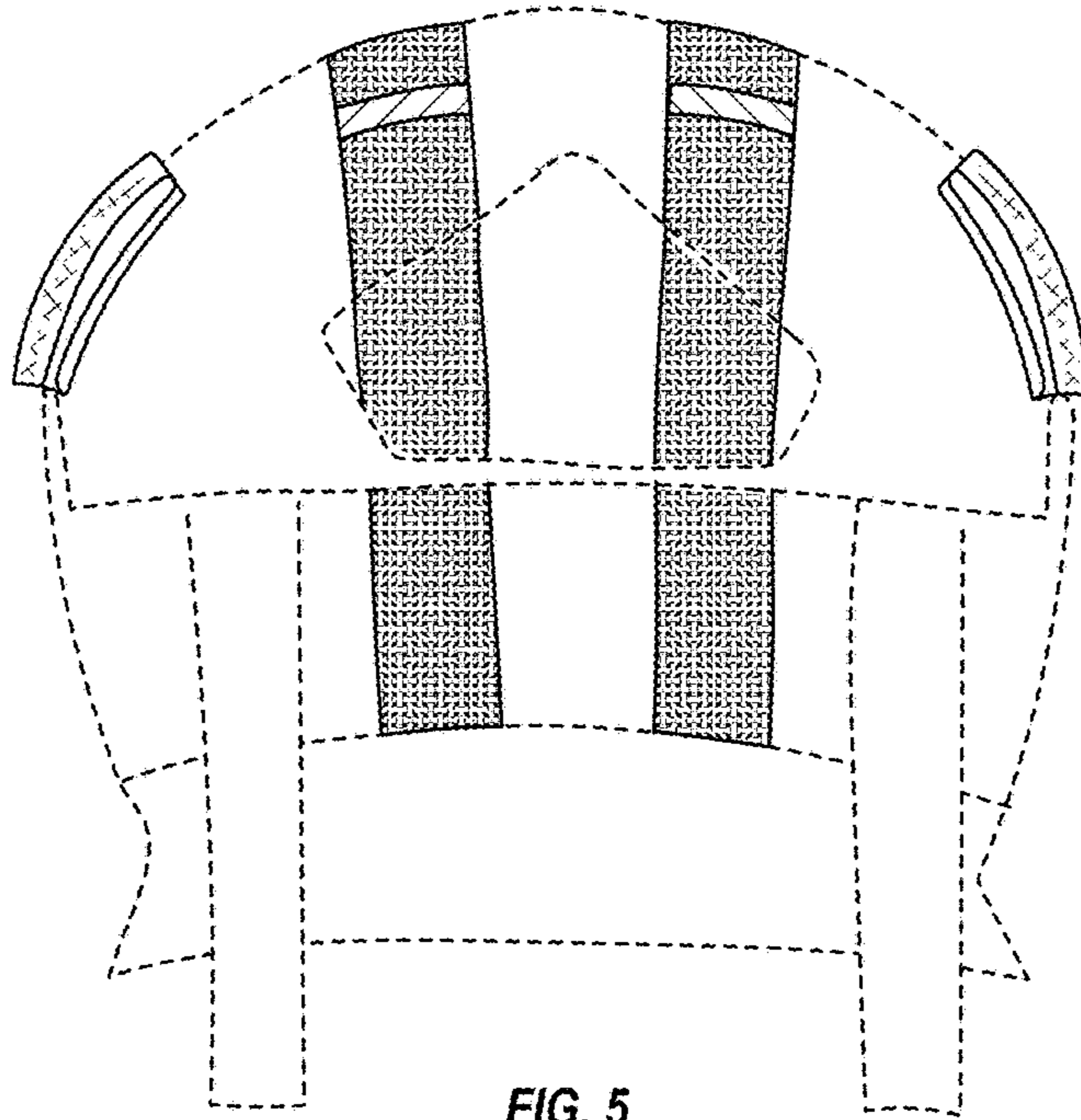


FIG. 5

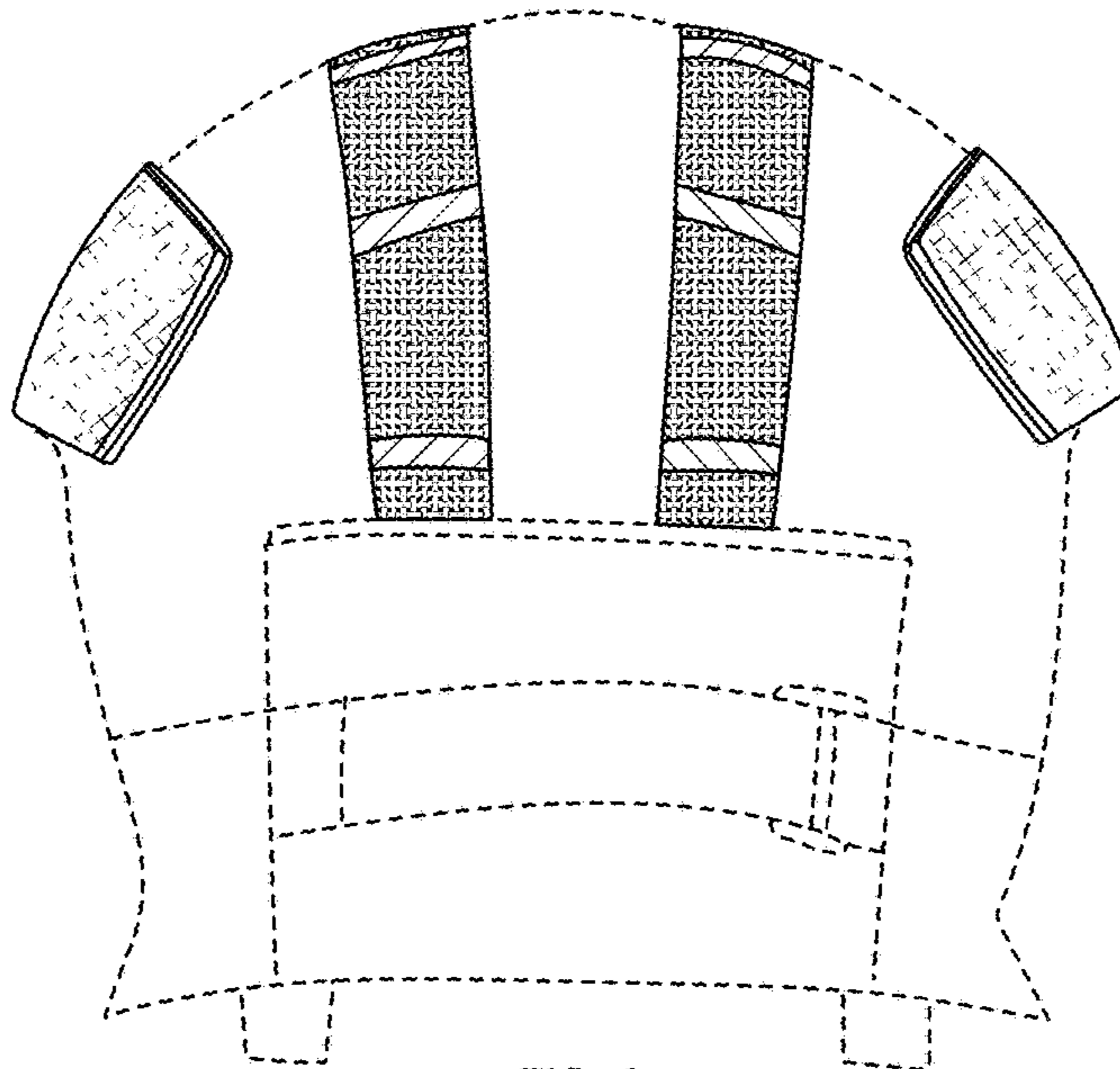


FIG. 6

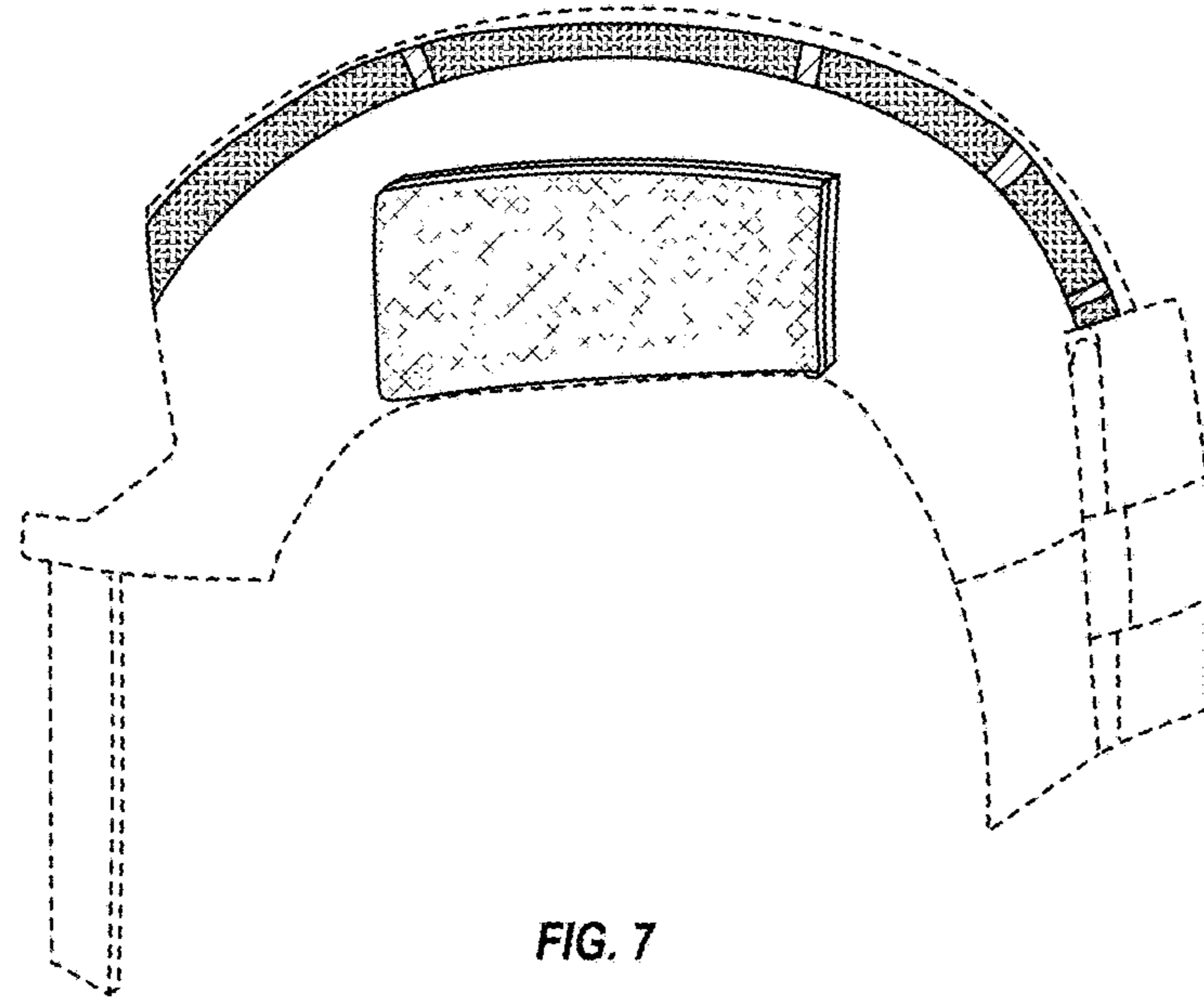


FIG. 7

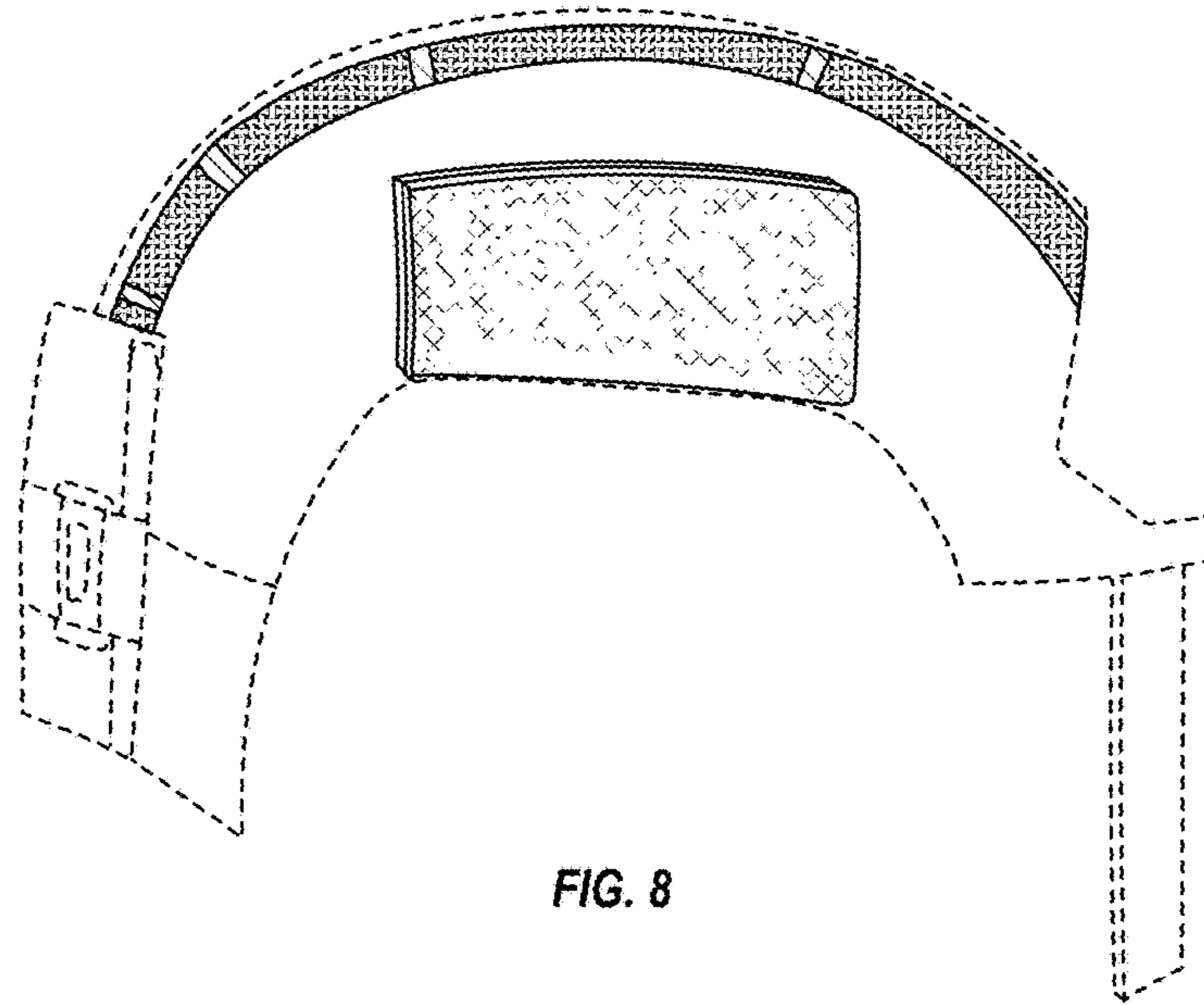


FIG. 8