



US00D843061S

(12) **United States Design Patent** (10) **Patent No.:** **US D843,061 S**
Martone (45) **Date of Patent:** **** Mar. 12, 2019**

(54) **INTERDENTAL PICK**
(71) Applicant: **DenTek Oral Care, Inc.**, Tarrytown, NY (US)
(72) Inventor: **Joseph R. Martone**, Bristol, CT (US)
(73) Assignee: **DenTek Oral Care, Inc.**, Tarrytown, NY (US)
(**) Term: **15 Years**

D382,368 S * 8/1997 Hsu D28/65
5,769,103 A 6/1998 Turjak
5,829,458 A 11/1998 Chodorow
5,855,215 A 1/1999 Clarke
5,927,299 A 7/1999 Rappoport
6,012,468 A 1/2000 Huang
6,044,848 A 4/2000 Huang
6,213,132 B1 4/2001 Andrews
6,220,258 B1 4/2001 Briggs et al.
D496,131 S * 9/2004 Winkler D28/65
6,902,399 B2 * 6/2005 Mannschedel A46B 3/005
132/329
6,981,869 B2 * 1/2006 Ruddle A46B 13/006
433/102

(21) Appl. No.: **29/599,504**

(Continued)

(22) Filed: **Apr. 4, 2017**

FOREIGN PATENT DOCUMENTS

(51) **LOC (11) Cl.** **28-03**

GB 11359 10/1906
JP 2007209567 A 8/2007

(52) **U.S. Cl.**

USPC **D28/65**

(Continued)

(58) **Field of Classification Search**

USPC D28/65-68; D24/152

CPC A61C 1500/04

See application file for complete search history.

Primary Examiner — Zenia I Bennett

(74) *Attorney, Agent, or Firm* — Luedeka Neely Group, PC

(56) **References Cited**

(57) **CLAIM**

U.S. PATENT DOCUMENTS

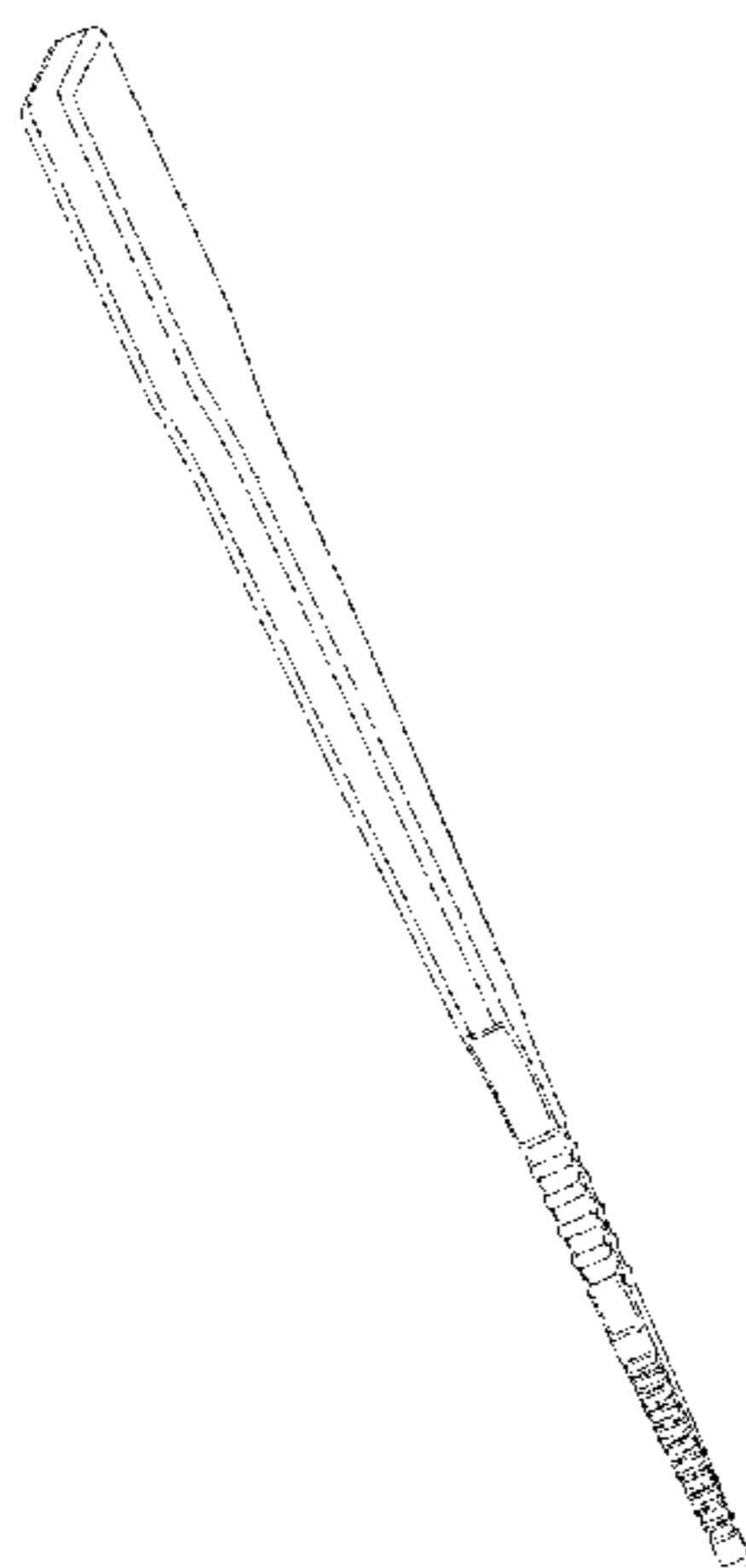
The ornamental design for an interdental pick, as shown and described.

817,978 A 4/1906 Lickman
1,451,380 A 4/1923 Thum
1,462,062 A 7/1923 Browning
D145,603 S 9/1946 Millard
2,477,194 A 7/1949 Millard
2,760,628 A 8/1956 Briggs
2,762,501 A 9/1956 Cameron
3,438,486 A 4/1969 Pinkas
3,486,611 A 12/1969 Ouimet
3,664,020 A 5/1972 Hammond et al.
4,270,556 A 6/1981 McAllister
4,690,277 A 9/1987 Lewis, Jr.
4,832,061 A * 5/1989 Hwang A61C 15/02
132/329
D307,493 S 4/1990 Cheng
4,998,978 A 3/1991 Varum
5,588,452 A 12/1996 Peck

DESCRIPTION

FIGS. 1 and 2 are perspective views the of interdental pick of my new design.
FIG. 3 is a right side view of the interdental pick of FIGS. 1 and 2, the left side being identical thereto.
FIG. 4 is a pick end view of the interdental pick of FIGS. 1 and 2.
FIG. 5 is a handle end view of the interdental pick of FIGS. 1 and 2; and,
FIG. 6 is a right end view of the interdental pick of FIGS. 1 and 2, the left end view being identical thereto.

1 Claim, 5 Drawing Sheets



(56)

References Cited

U.S. PATENT DOCUMENTS

7,055,530 B2 6/2006 Husted
D548,886 S 8/2007 Lee
7,424,952 B2 9/2008 Antler
7,464,715 B1 12/2008 Husted et al.
D610,747 S 2/2010 Brownell
7,798,156 B2 9/2010 Kelly
D670,434 S 11/2012 Warner
8,439,678 B1 5/2013 Chen
8,663,520 B2 3/2014 Kalbfeld et al.
9,226,802 B2 * 1/2016 McCafferty A61C 5/023
9,259,303 B2 2/2016 Studney
D764,103 S * 8/2016 Wallstrom D28/65
D764,104 S 8/2016 Wallstrom et al.
2005/0058963 A1 3/2005 Stockstill
2006/0254609 A1 11/2006 Kuo
2006/0283480 A1 12/2006 Salzer
2008/0127992 A1 6/2008 Pinchuk
2009/0230756 A1 9/2009 Crossman
2011/0197914 A1 8/2011 Choi
2011/0203608 A1 8/2011 Rivera et al.
2013/0037046 A1 2/2013 Loera Pulido
2015/0257861 A1 9/2015 Dishon

FOREIGN PATENT DOCUMENTS

WO 9611644 4/1996
WO 2012159745 A3 11/2012

* cited by examiner

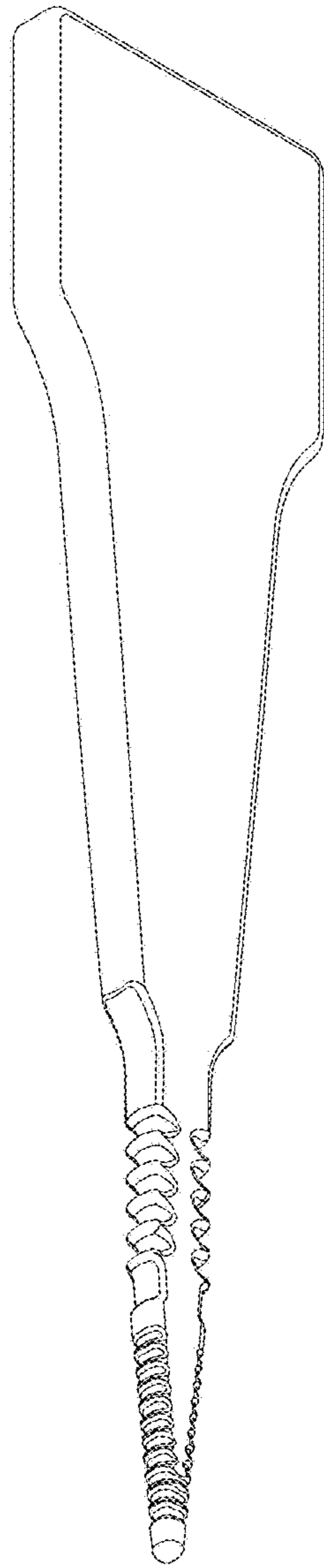


FIG. 1

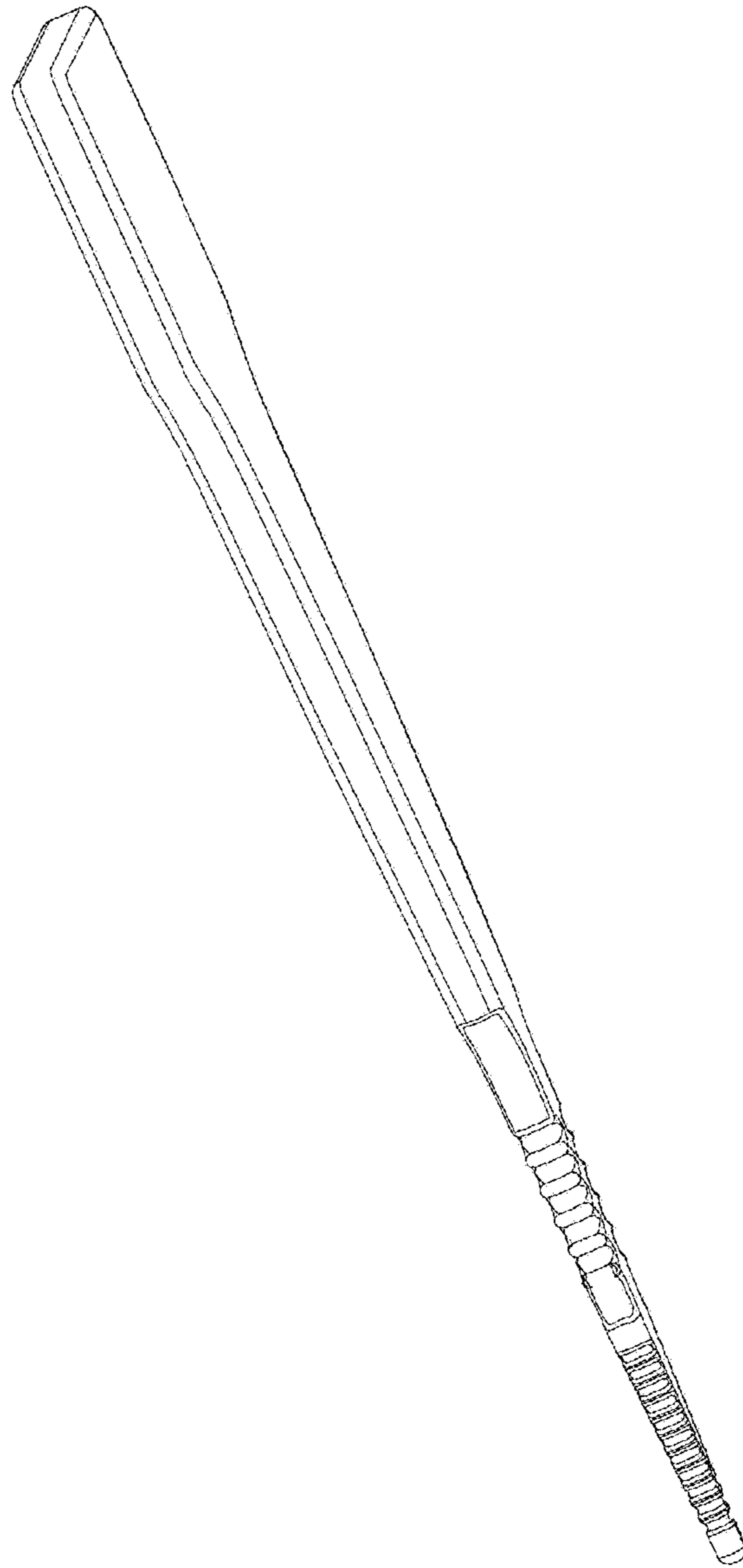


FIG. 2

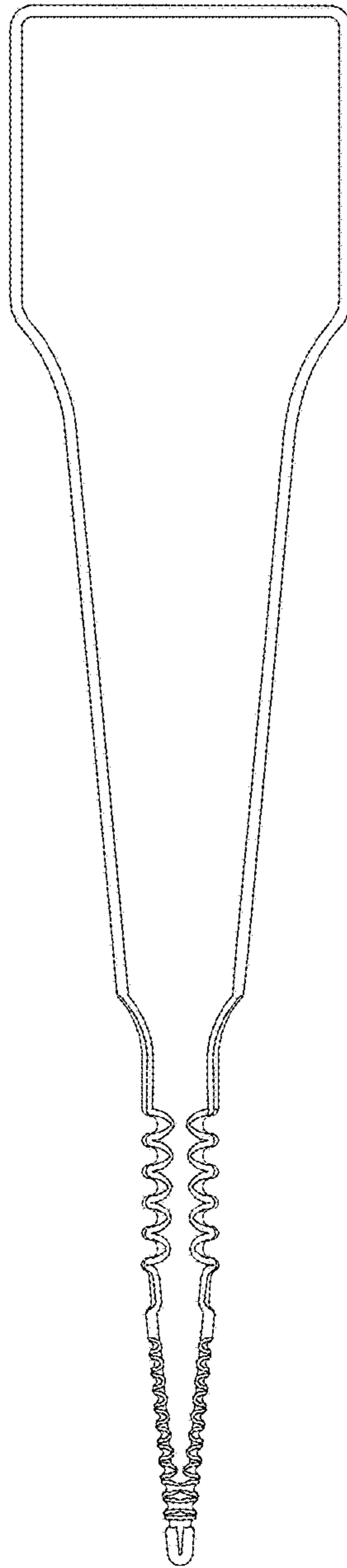


FIG. 3



FIG. 4



FIG. 5

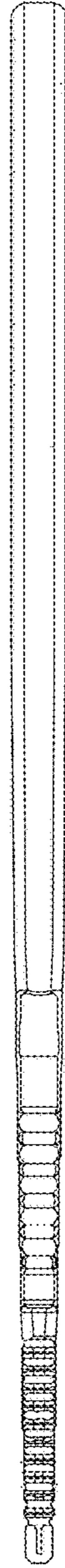


FIG. 6