



US00D843056S

(12) **United States Design Patent**
Rodriguez

(10) **Patent No.:** **US D843,056 S**

(45) **Date of Patent:** **** Mar. 12, 2019**

(54) **PERSONAL GROOMING DEVICE**

(71) Applicant: **Sergio J Rodriguez**, St. Cloud, FL (US)

(72) Inventor: **Sergio J Rodriguez**, St. Cloud, FL (US)

(**) Term: **15 Years**

(21) Appl. No.: **29/640,835**

(22) Filed: **Mar. 16, 2018**

(51) **LOC (11) Cl.** **28-03**

(52) **U.S. Cl.**
USPC **D28/23**

(58) **Field of Classification Search**
USPC D28/7, 20-34; D32/48; D30/158, 159
CPC A45D 24/00; A45D 24/002; A45D 24/005;
A45D 24/007; A45D 24/02; A45D 24/04;
A45D 24/06; A45D 24/08; A45D 24/34;
A45D 24/345
See application file for complete search history.

(56) **References Cited**

U.S. PATENT DOCUMENTS

| | | | | |
|--------------|-----|---------|----------|-----------------------|
| D123,180 | S | 10/1940 | Pileggi | |
| 2,288,299 | A | 6/1942 | Pileggi | |
| 2,841,158 | A * | 7/1958 | Laughton | A45D 24/08 132/143 |
| 3,142,305 | A * | 7/1964 | Cosby | A45D 24/04 132/155 |
| D219,724 | S * | 1/1971 | Rogovin | D28/23 |
| D225,693 | S * | 12/1972 | Abbott | D28/23 |
| D226,876 | S * | 5/1973 | Morrow | D28/23 |
| D482,492 | S | 11/2003 | Cheung | |
| D728,856 | S * | 5/2015 | Wang | D28/23 |
| 2010/0287778 | A1 | 11/2010 | Ronda | |

OTHER PUBLICATIONS

Barber Scissor Hair Cut Styling Razor Magic Blade Comb Hair-dressing Tool Kit FC, viewed at <https://www.eBay.com> on Nov. 17, 2017.

1 Pc Quality Professional Hair Razor Cutting Device Trimmer Comb with Blade, viewed at <https://www.eBay.com> on Nov. 17, 2017.

Professional Hair Razor Comb Black Handle Shaving Cutting Thinning Comb Beauty, viewed at <https://www.eBay.com> on Nov. 17, 2017.

* cited by examiner

Primary Examiner — Zenia I Bennett

(74) *Attorney, Agent, or Firm* — Law Office of Steven R. Olsen, PLLC; Steven R. Olsen

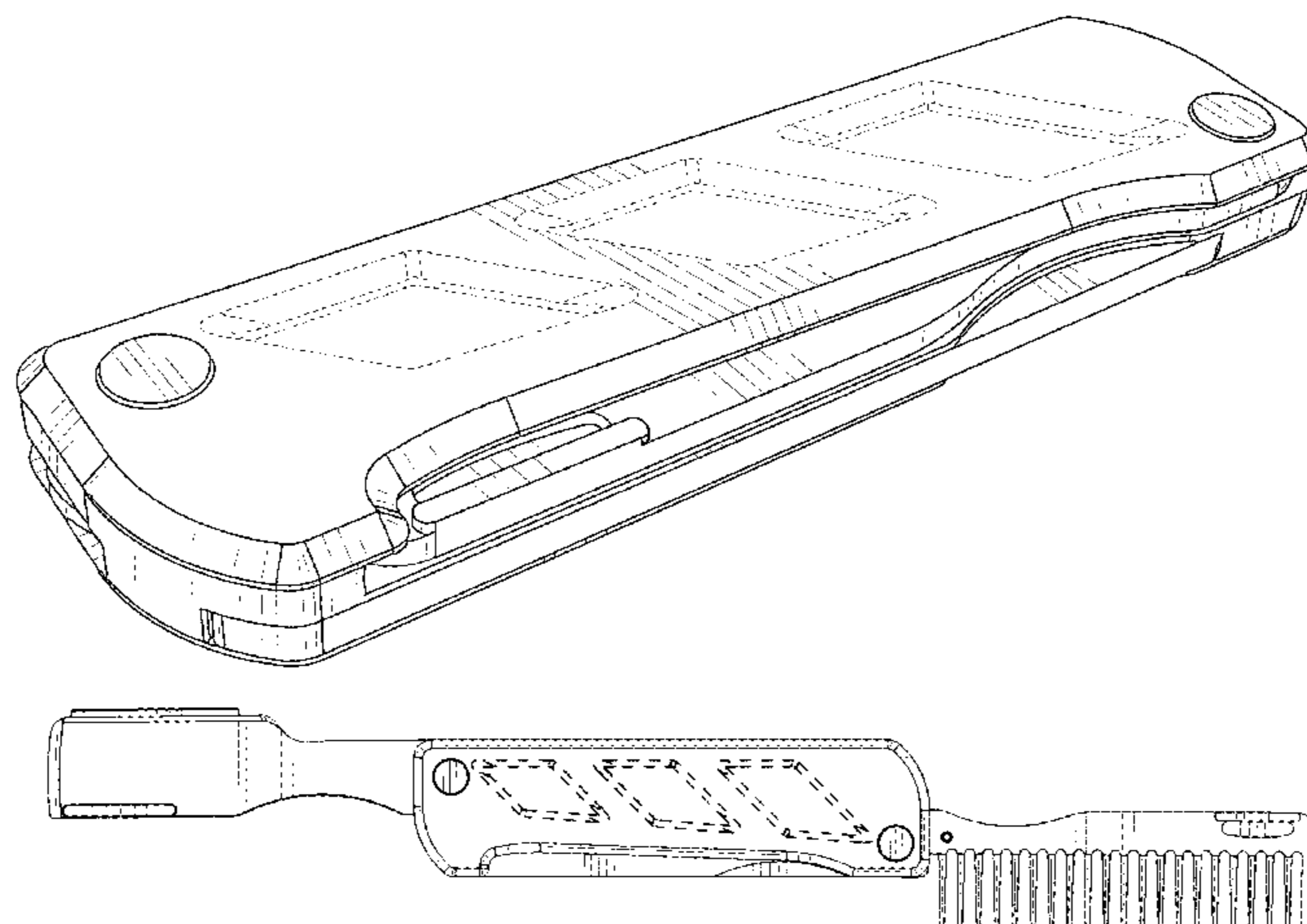
(57) **CLAIM**

The ornamental design for a personal grooming device, as shown and described.

DESCRIPTION

FIG. 1 is a top perspective view of a personal grooming device showing my new design;
FIG. 2 is a bottom perspective view thereof;
FIG. 3 is a top plan view thereof;
FIG. 4 is a bottom plan view thereof;
FIG. 5 is a front elevational view thereof;
FIG. 6 is a rear elevational view thereof;
FIG. 7 is a right side elevational view thereof;
FIG. 8 is a left side elevational view thereof;
FIG. 9 is a top plan view thereof in an alternate position;
FIG. 10 is a bottom plan view thereof in an alternate position;
FIG. 11 is a front elevational view thereof in an alternate position;
FIG. 12 is a rear elevational view thereof in an alternate position;
FIG. 13 is a right side elevational view thereof in an alternate position; and,
FIG. 14 is a left side elevational view thereof in an alternate position.
Features shown in broken lines are for illustrative purposes only and form no part of the claimed design.

1 Claim, 7 Drawing Sheets



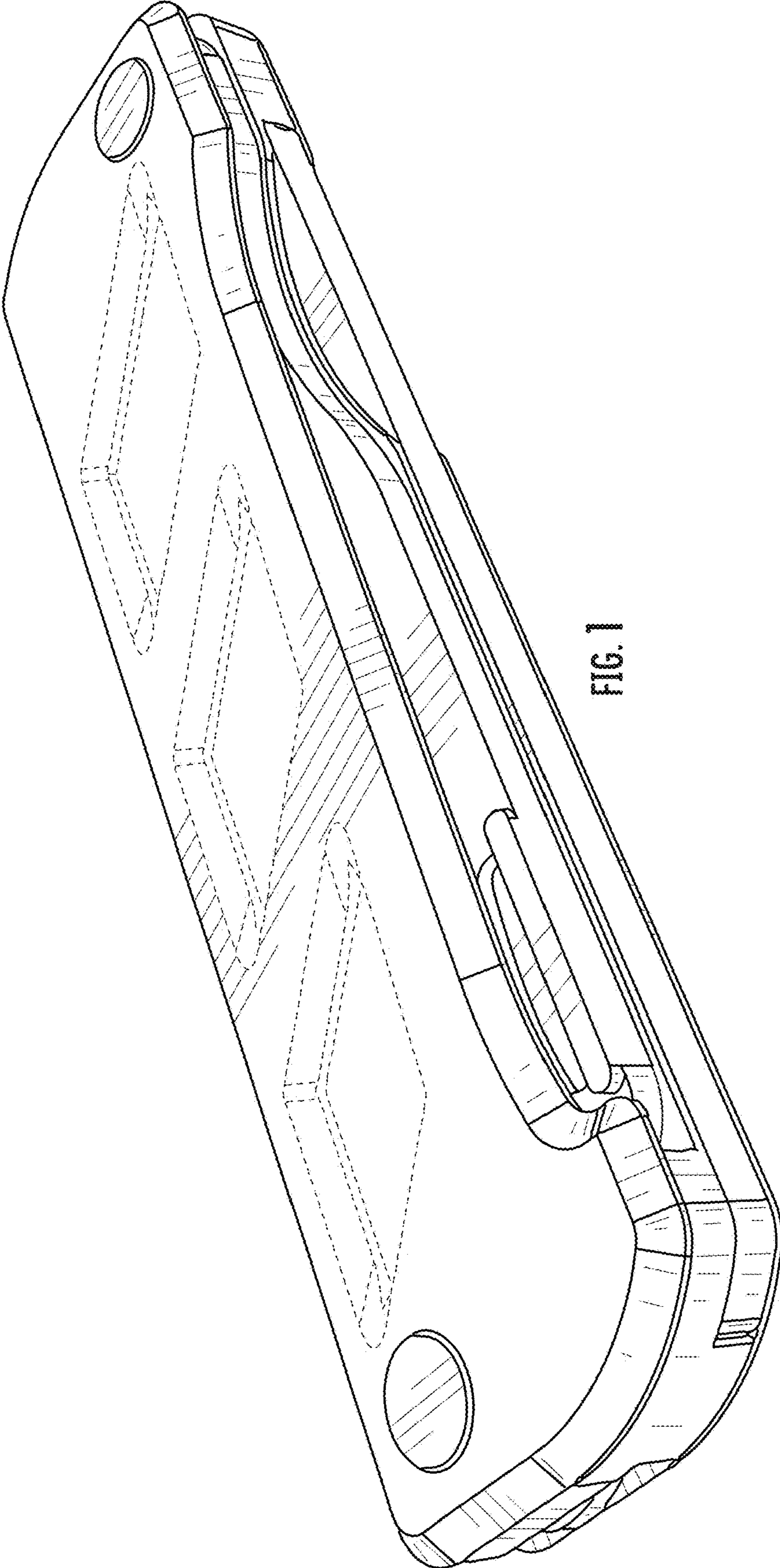


FIG. 1

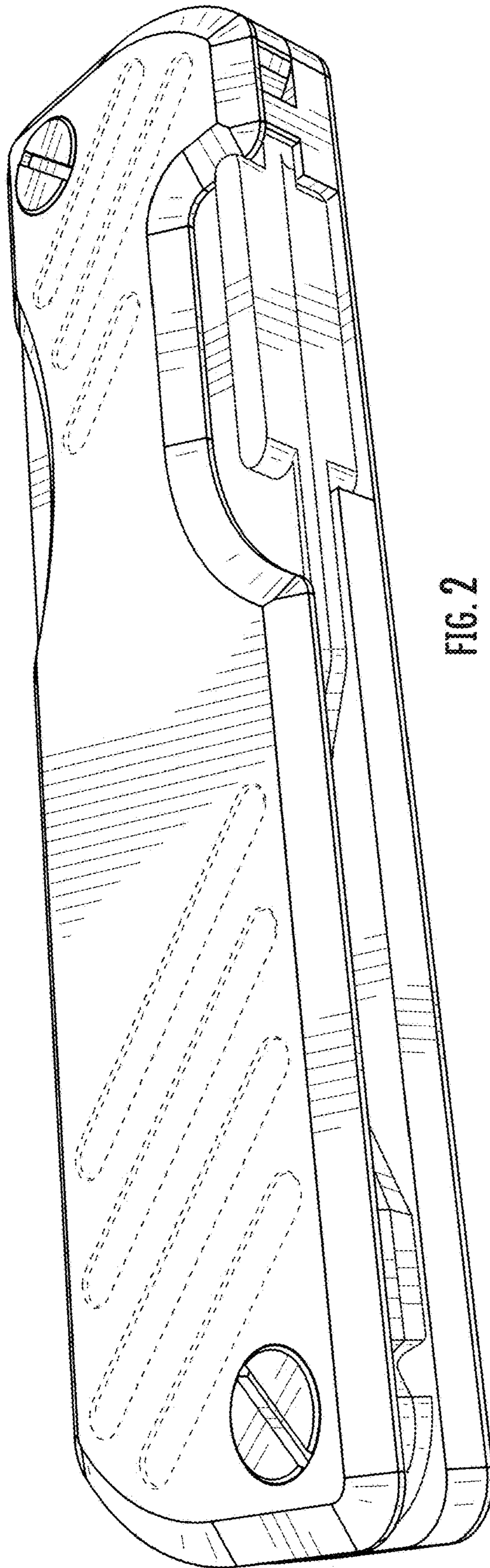


FIG. 2

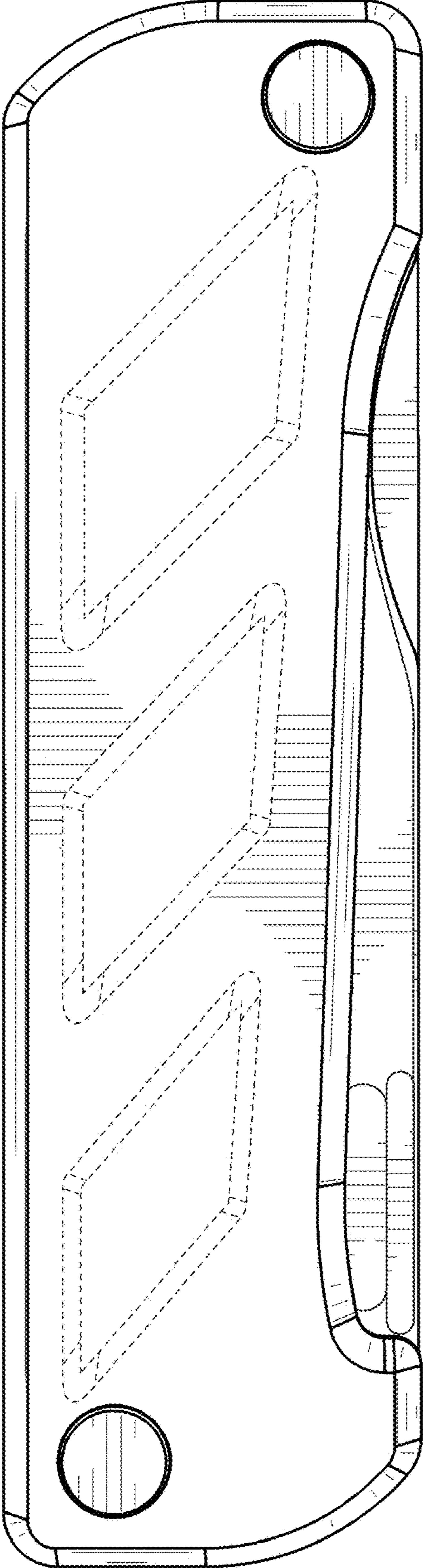


FIG. 3

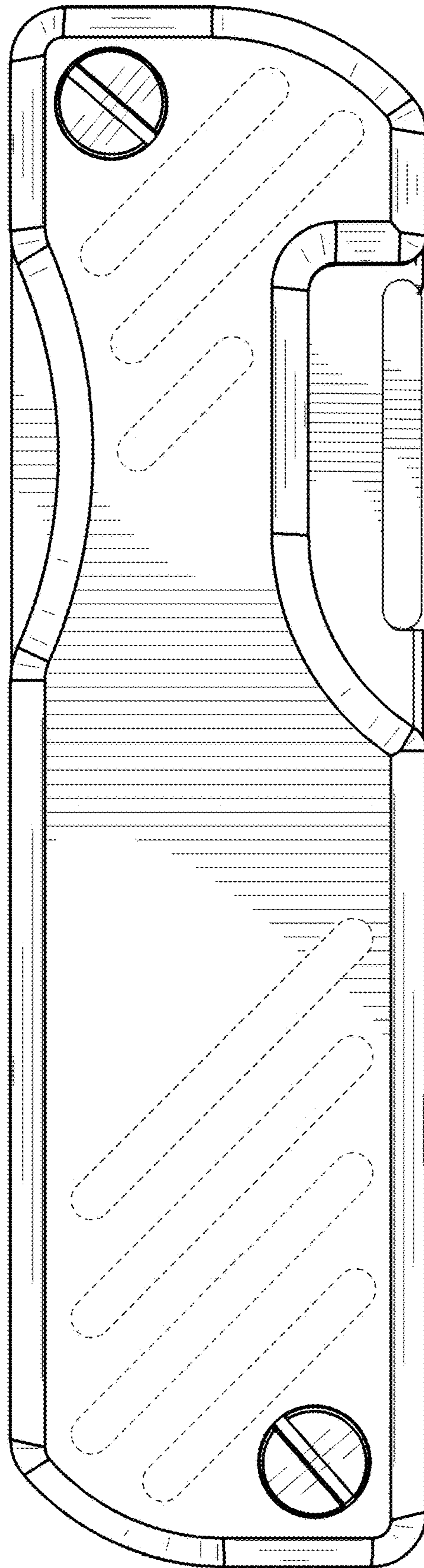


FIG. 4

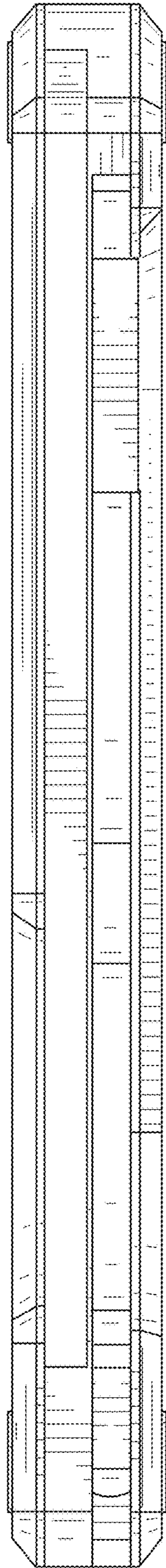


FIG. 5

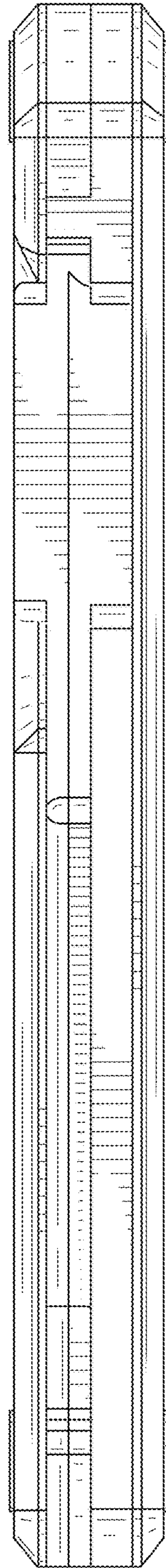


FIG. 6

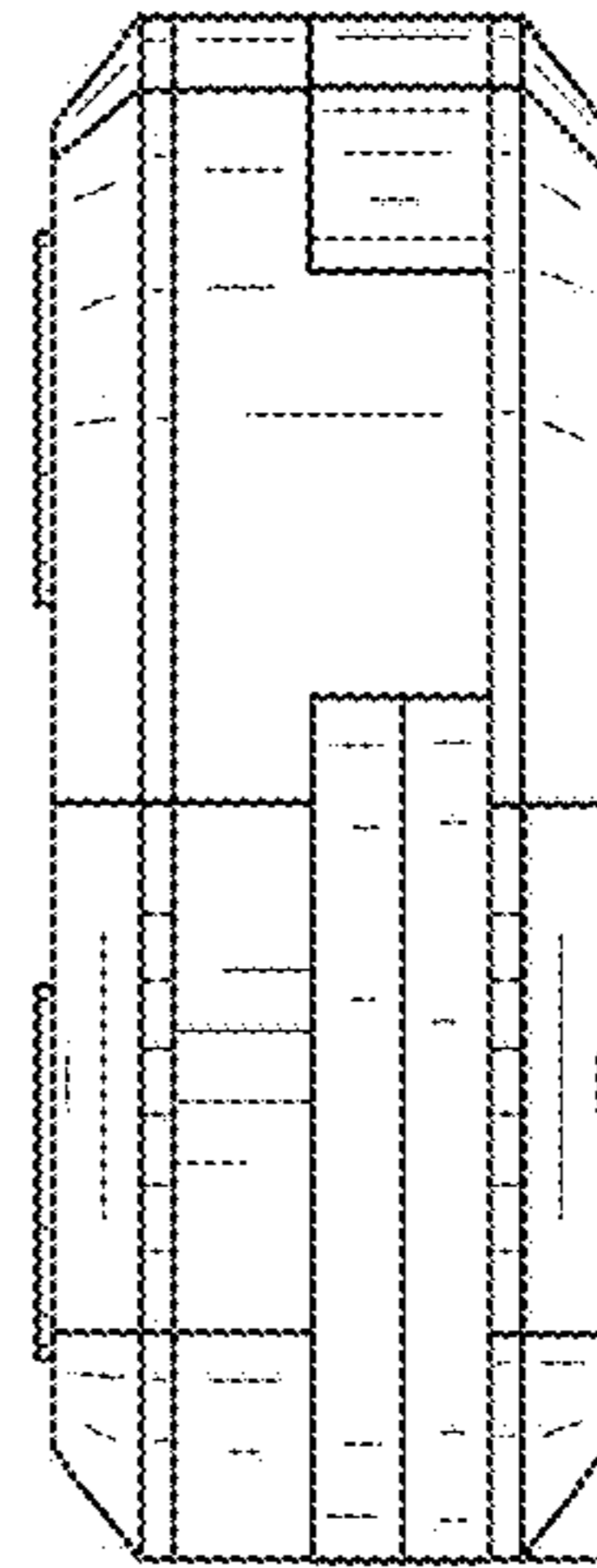


FIG. 7

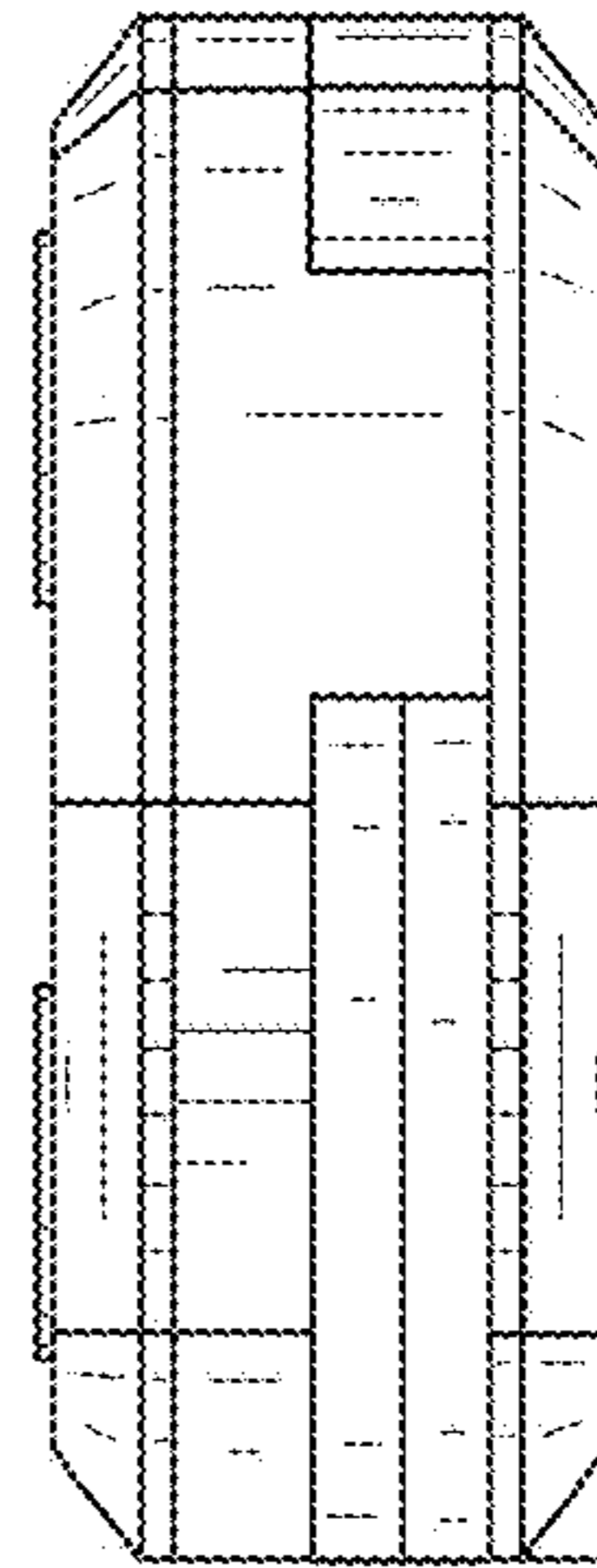


FIG. 8

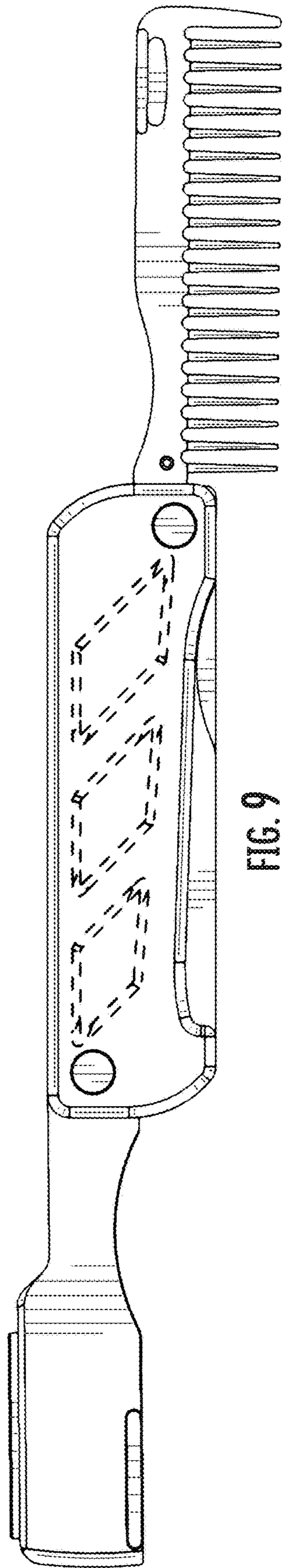


FIG. 9

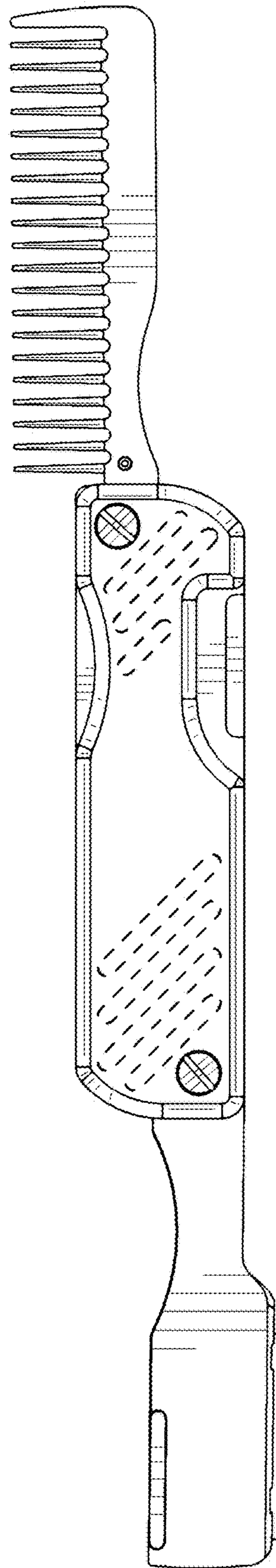


FIG. 10

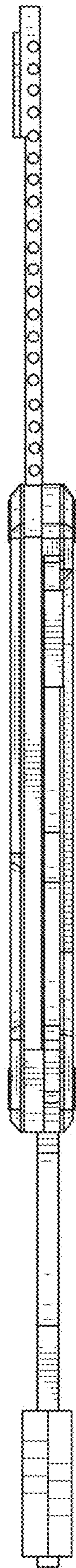


FIG. 11

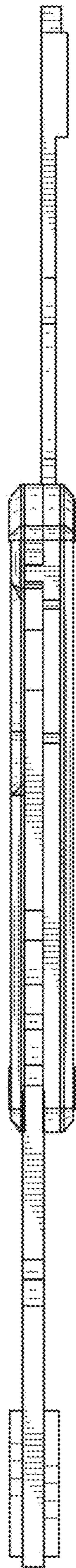


FIG. 12



FIG. 13

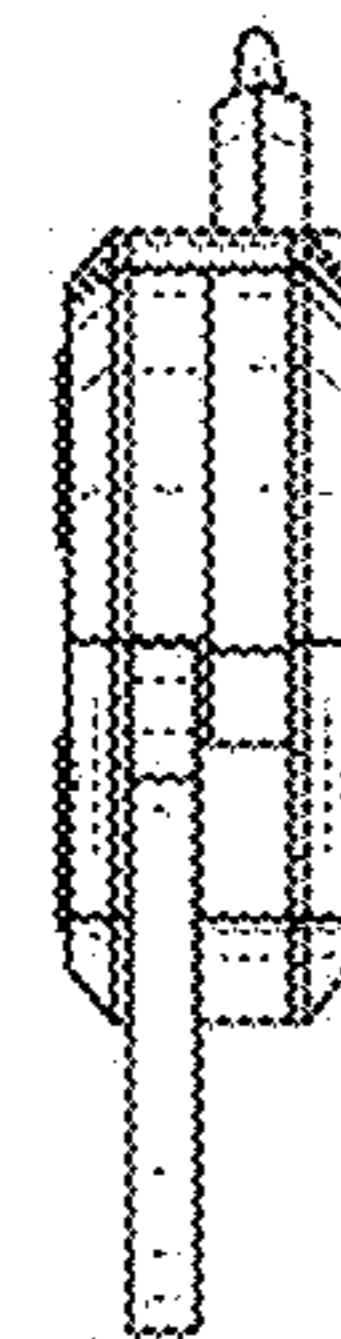


FIG. 14