

US00D843055S

(12) **United States Design Patent** (10) **Patent No.:** **US D843,055 S**
Rodriguez (45) **Date of Patent:** **** Mar. 12, 2019**

(54) **PERSONAL GROOMING DEVICE**

- (71) Applicant: **Sergio J Rodriguez**, St. Cloud, FL (US)
- (72) Inventor: **Sergio J Rodriguez**, St. Cloud, FL (US)
- (**) Term: **15 Years**
- (21) Appl. No.: **29/640,823**
- (22) Filed: **Mar. 16, 2018**
- (51) **LOC (11) Cl.** **28-03**
- (52) **U.S. Cl.**
USPC **D28/23**
- (58) **Field of Classification Search**
USPC D28/7, 20-34; D32/48; D30/158, 159
CPC A45D 24/00; A45D 24/002; A45D 24/005;
A45D 24/007; A45D 24/02; A45D 24/04;
A45D 24/06; A45D 24/08; A45D 24/34;
A45D 24/345
See application file for complete search history.

(56) **References Cited**

U.S. PATENT DOCUMENTS

D123,160 S	10/1940	Pileggi	
2,288,299 A	6/1942	Pileggi	
2,841,158 A *	7/1958	Laughton	A45D 24/08 132/143
3,142,305 A *	7/1964	Cosby	A45D 24/04 132/155
D219,724 S *	1/1971	Rogovin	D28/23
D225,693 S *	12/1972	Abbott	D28/23
D226,876 S *	5/1973	Morrow	D28/23
D482,492 S	11/2003	Cheung	
D728,856 S *	5/2015	Wang	D28/23
2010/0287778 A1	11/2010	Ronda	

OTHER PUBLICATIONS

- Barber Scissor Hair Cut Styling Razor Magic Blade Comb Hair-dressing Tool Kit FC, viewed at <https://www.eBay.com> on Nov. 17, 2017.
- 1 Pc Quality Professional Hair Razor Cutting Device Trimmer Comb with Blade, viewed at <https://www.eBay.com> on Nov. 17, 2017.
- Professional Hair Razor Comb Black Handle Shaving Cutting Thinning Comb Beauty, viewed at <https://www.eBay.com> on Nov. 17, 2017.

* cited by examiner

Primary Examiner — Zenia I Bennett

(74) *Attorney, Agent, or Firm* — Law Office of Steven R. Olsen, PLLC; Steven R. Olsen

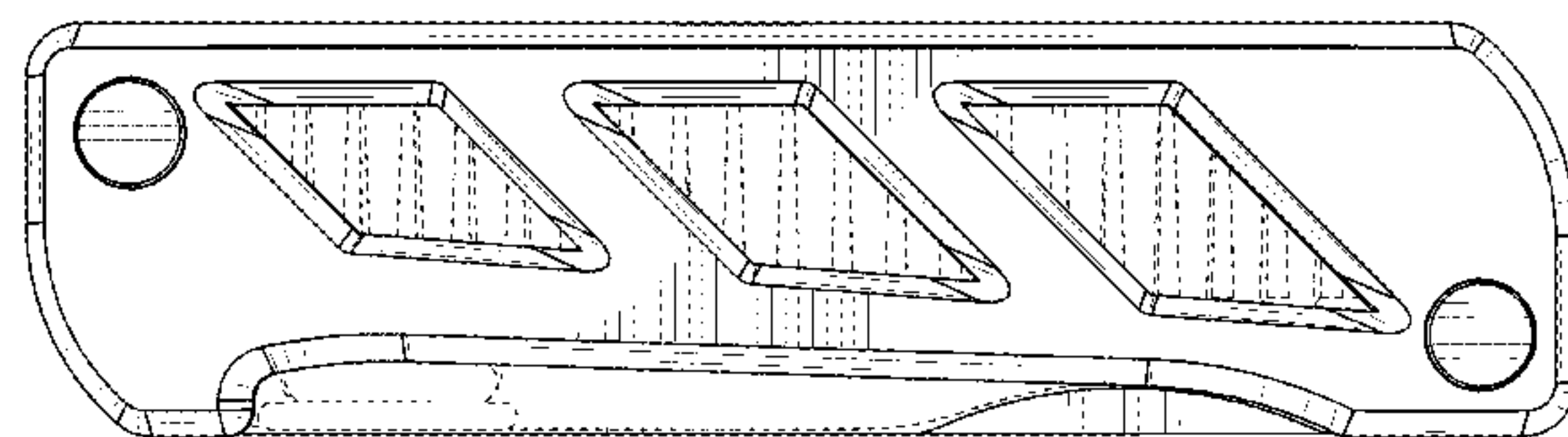
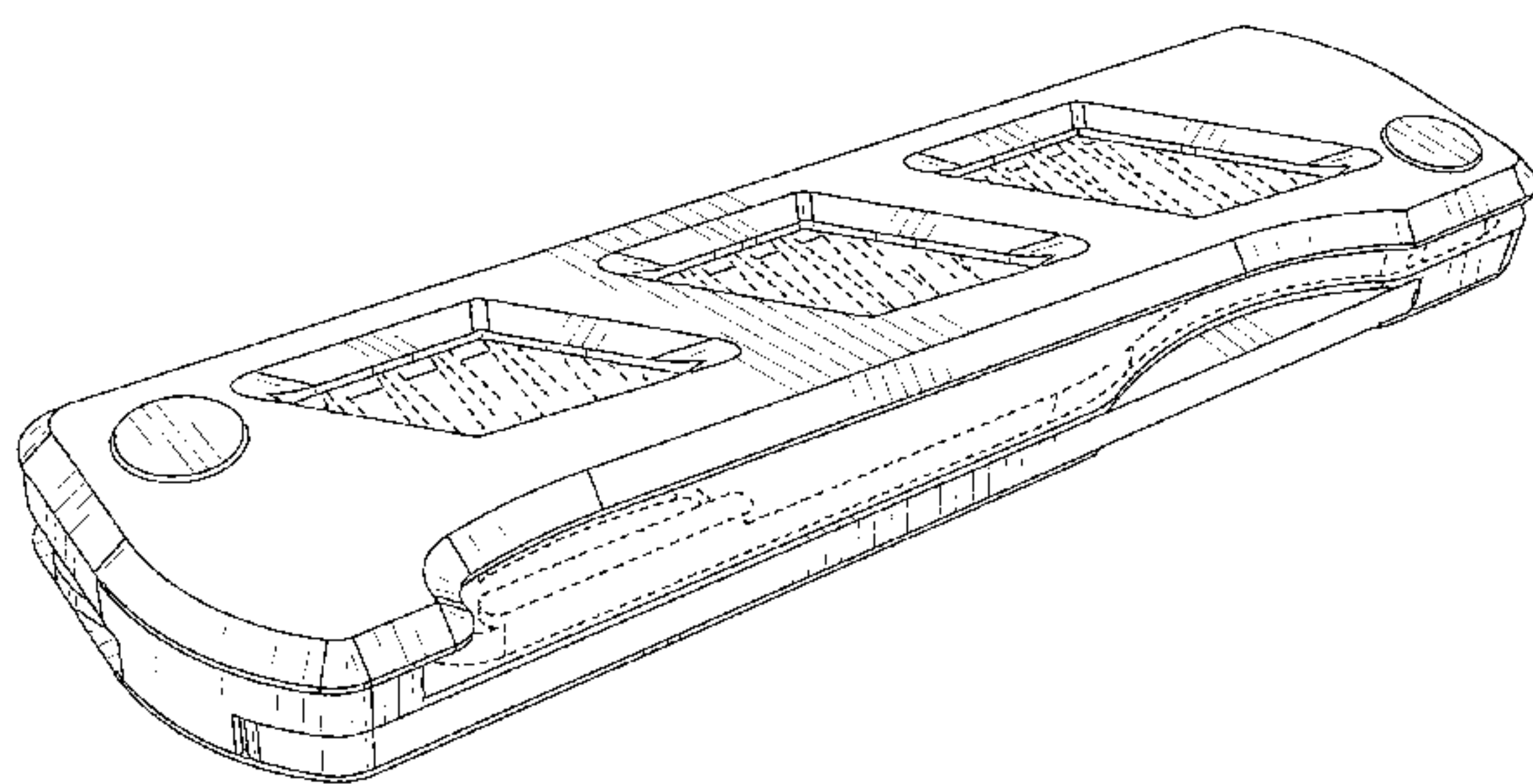
(57) **CLAIM**

The ornamental design for a personal grooming device, as shown and described.

DESCRIPTION

FIG. 1 is a top perspective view of a personal grooming device showing my new design;
 FIG. 2 is a bottom perspective view thereof;
 FIG. 3 is a top plan view thereof;
 FIG. 4 is a bottom plan view thereof;
 FIG. 5 is a front elevational view thereof;
 FIG. 6 is a rear elevational view thereof;
 FIG. 7 is a right side elevational view thereof; and,
 FIG. 8 is a left side elevational view thereof.
 Features shown in broken lines are for illustrative purposes only and form no part of the claimed design.

1 Claim, 5 Drawing Sheets



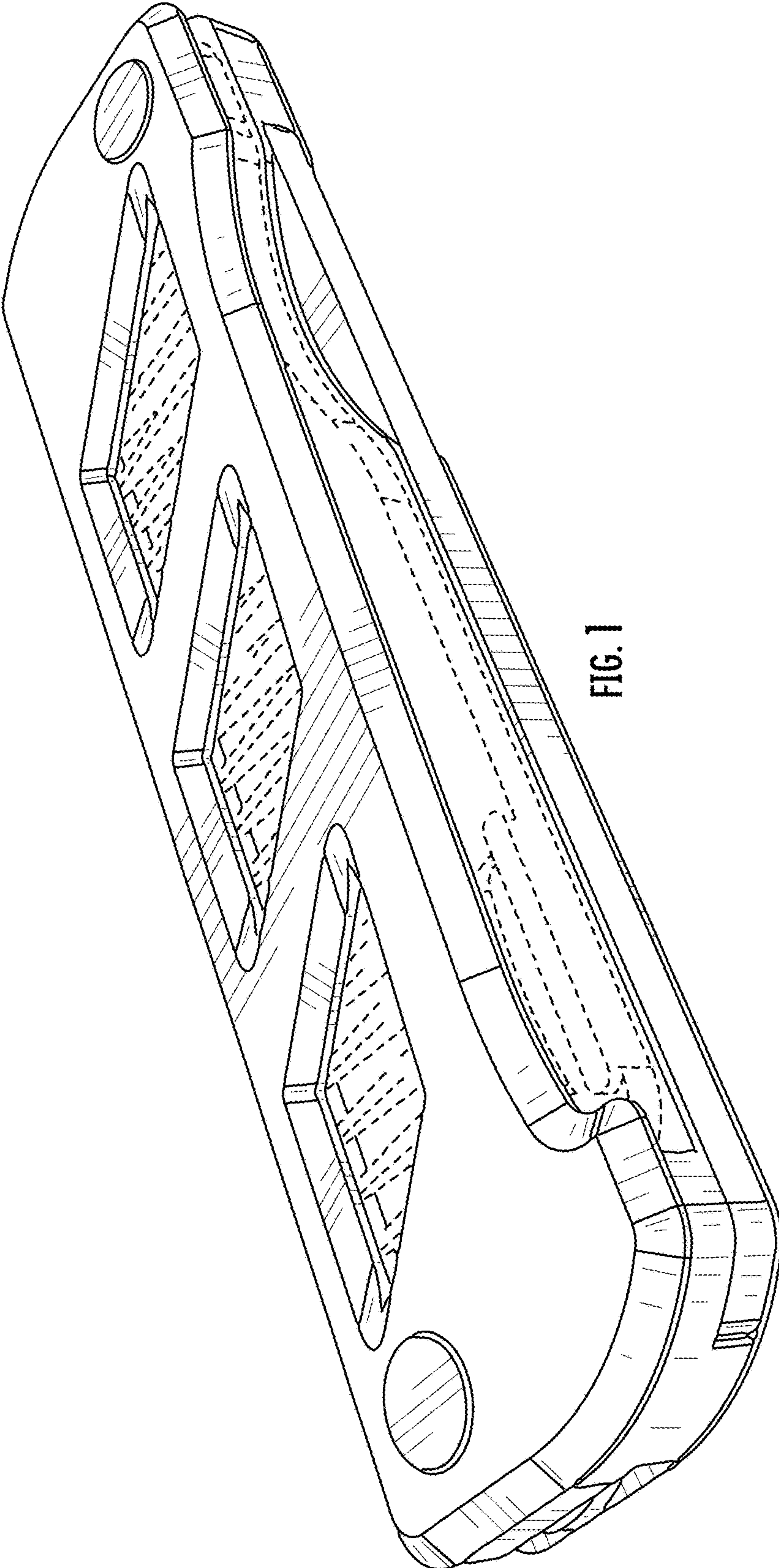


FIG. 1

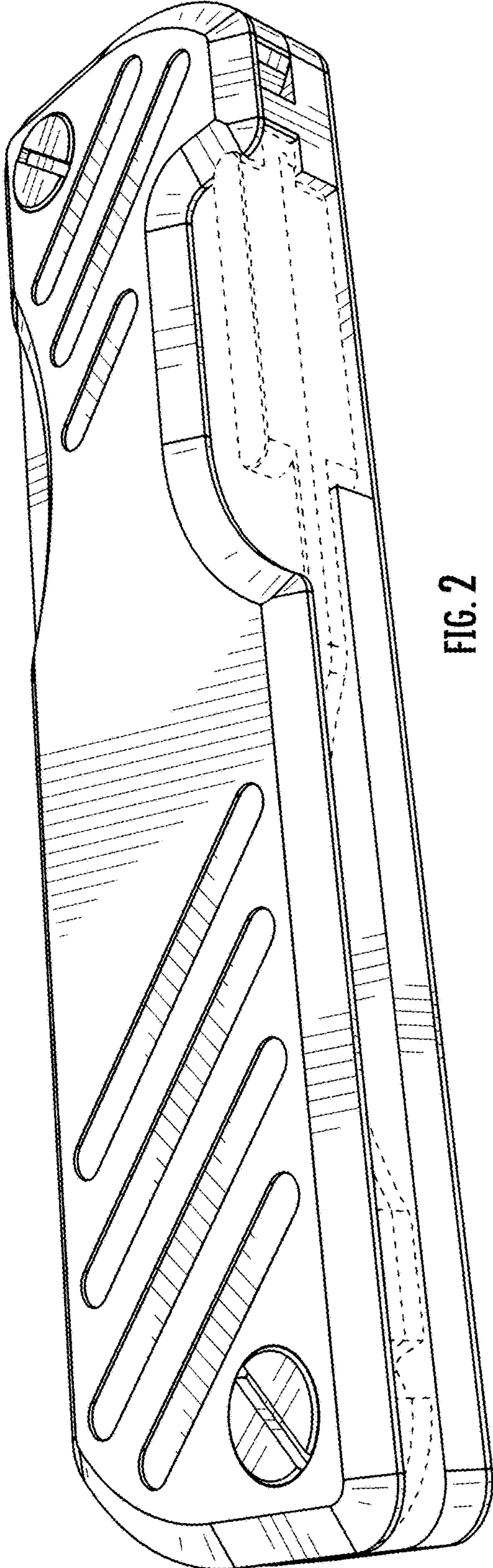


FIG. 2

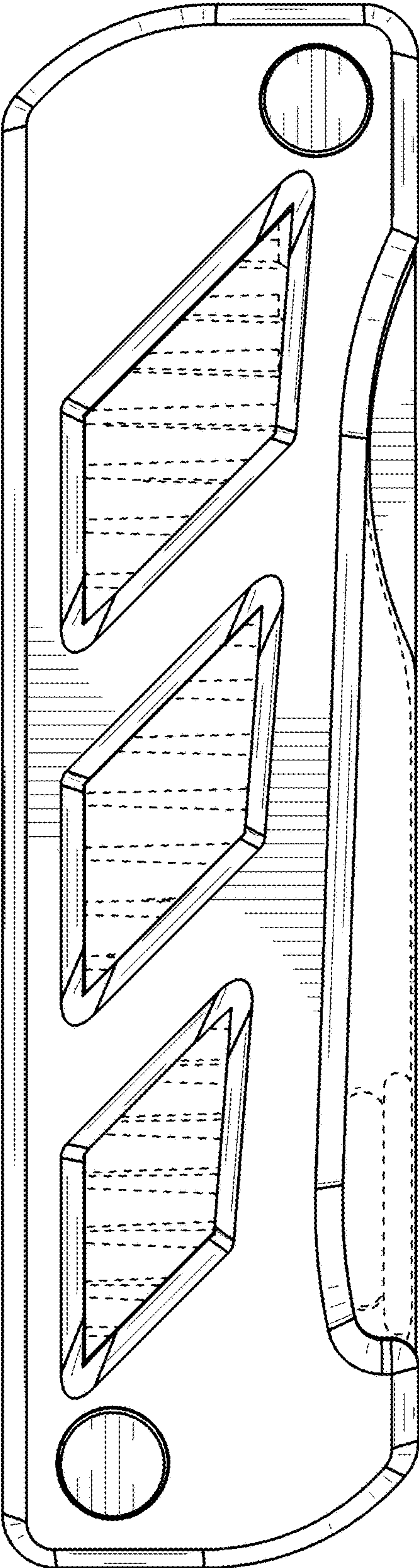


FIG. 3

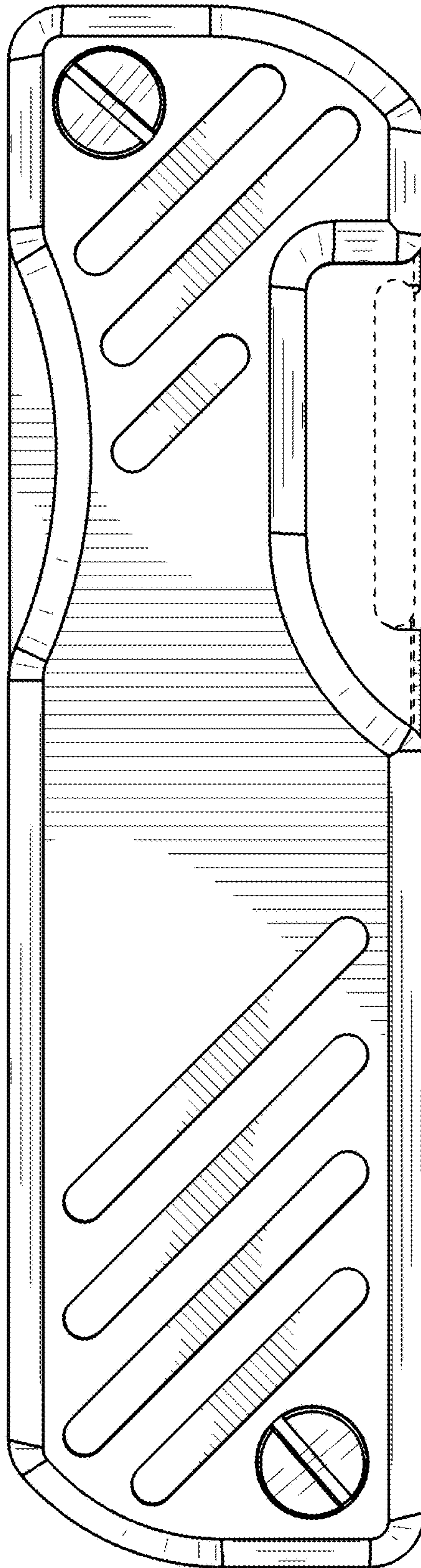


FIG. 4

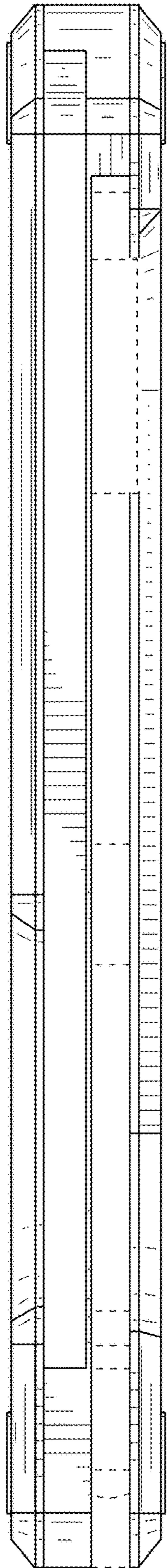


FIG. 5

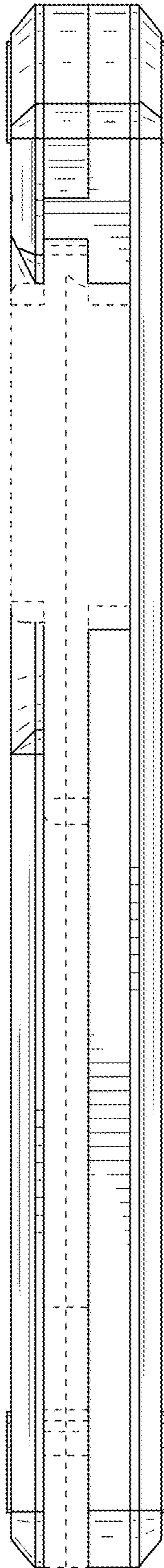


FIG. 6

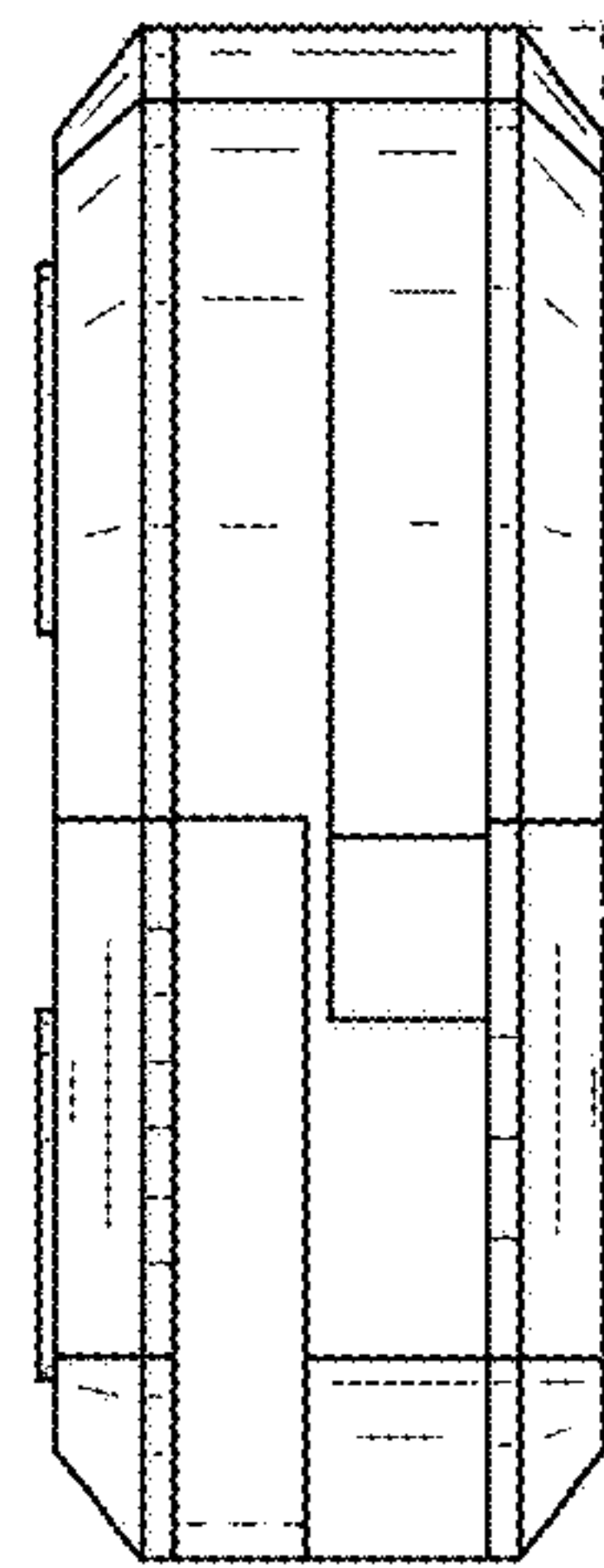


FIG. 7

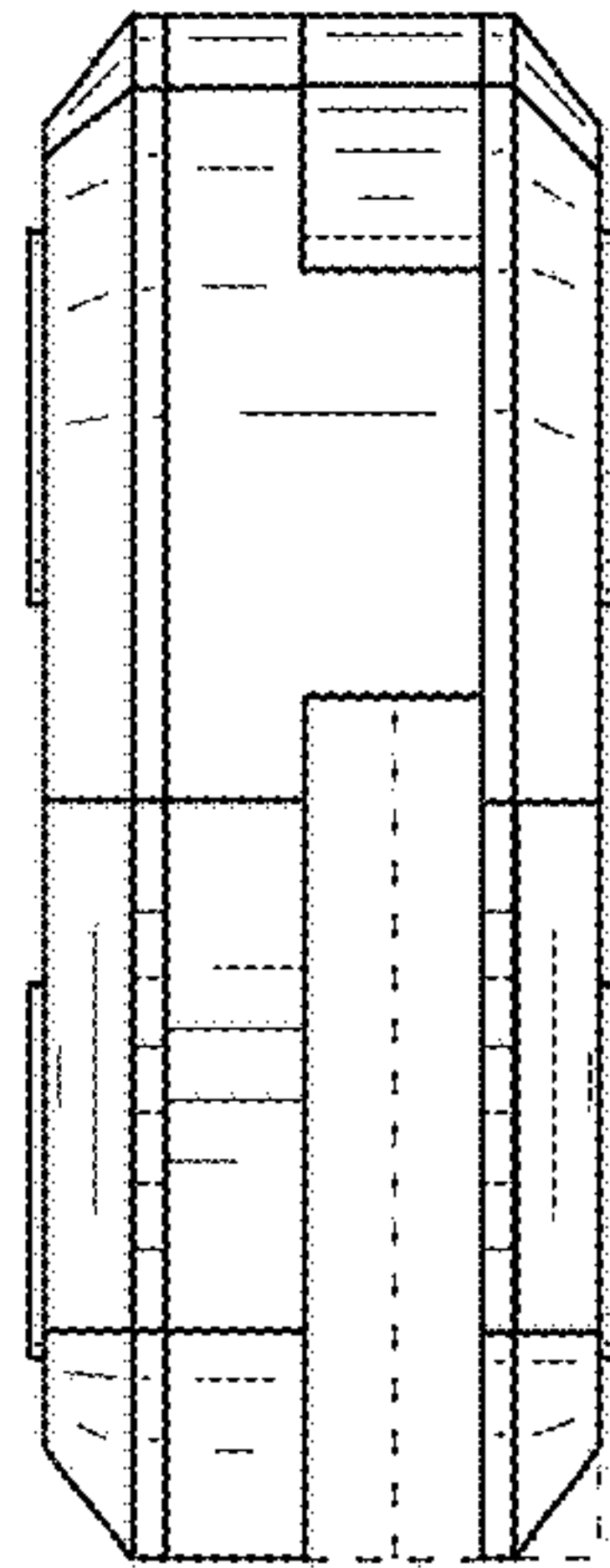


FIG. 8