



US00D843054S

(12) **United States Design Patent** (10) **Patent No.:** **US D843,054 S**  
**Rodgers** (45) **Date of Patent:** **\*\* Mar. 12, 2019**

(54) **COSMETIC TOOL HANDLE**

(71) Applicant: **PACIFIC WORLD CORPORATION**,  
Aliso Viejo, CA (US)

(72) Inventor: **Mark Rodgers**, Dana Point, CA (US)

(73) Assignee: **PACIFIC WORLD CORPORATION**,  
Aliso Viejo, CA (US)

(\*\*) Term: **15 Years**

(21) Appl. No.: **29/596,487**

(22) Filed: **Mar. 8, 2017**

(51) **LOC (11) Cl.** ..... **28-02**

(52) **U.S. Cl.**  
USPC ..... **D28/7**

(58) **Field of Classification Search**  
USPC ..... D28/4, 5, 7, 8, 9, 10, 63, 91.1, 11, 12,  
D28/20, 21, 25, 30, 31; D4/100–102,  
D4/104, 109, 114, 116–117, 136, 108,  
D4/138, 199; D32/40, 43, 52;  
D24/132–135; D8/107; D7/664, 653  
CPC .... A45D 19/02; A45D 19/0008; A45D 24/22;  
A46B 5/00; A46B 9/021; A46D 33/36  
See application file for complete search history.

(56) **References Cited**

**U.S. PATENT DOCUMENTS**

D289,564 S *	4/1987	Harford	.....	D28/59
D400,357 S *	11/1998	Crosson	.....	D4/111
6,687,940 B1 *	2/2004	Gross	.....	A46B 5/02
				132/311
D572,407 S *	7/2008	Cook	.....	D28/7
D625,467 S *	10/2010	Dickman	.....	D28/7
D699,041 S *	2/2014	Waitesmith	.....	A45D 40/262
				D4/138
8,734,042 B2 *	5/2014	Hohlbein	.....	A46B 11/0003
				15/167.1
D796,208 S *	9/2017	Brian	.....	D4/104
D811,674 S *	2/2018	Krause	.....	D32/40

**OTHER PUBLICATIONS**

Cafe Makeup, Review: Artis Oval 3 Eye Brush, posted Jul. 24, 2015, [online], [site visited Oct. 10, 2018]. Available from Internet, <URL: <http://cafemakeup.com/2015/07/24/review-artis-oval-3-eye-brush/>> (Year: 2015).\*

The Grommet, Snap Toothbrush System, reviewed Dec. 7, 2015, [online], [site visited Oct. 10, 2018]. Available from Internet, <URL: <https://www.thegrommet.com/greener-step-snap-value-pack>> (Year: 2015).\*

(Continued)

*Primary Examiner* — Sheryl Lane

*Assistant Examiner* — Samantha N Wood

(74) *Attorney, Agent, or Firm* — McGuireWoods LLP

(57) **CLAIM**

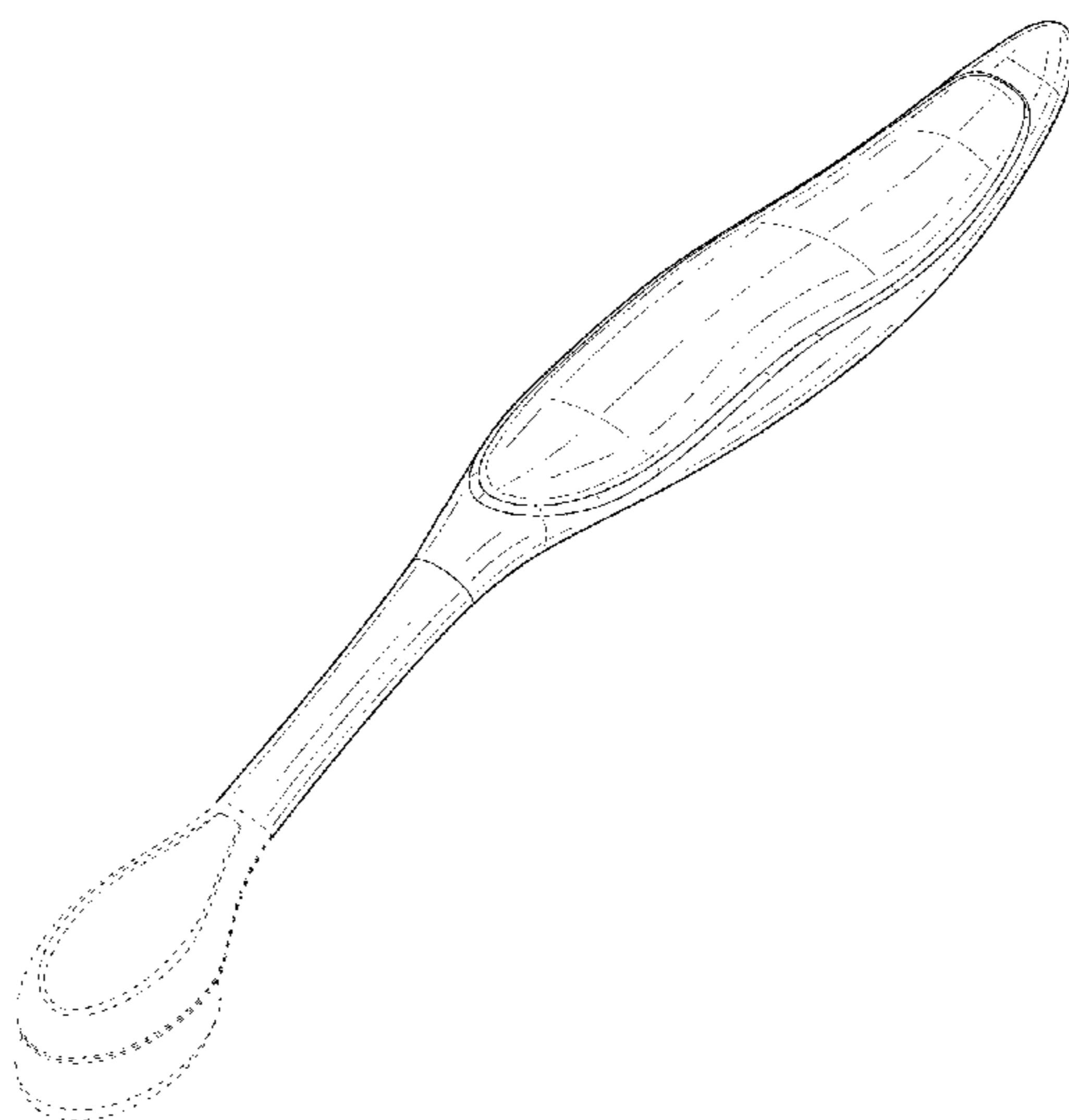
I claim the ornamental design for a cosmetic tool handle, as shown and described.

**DESCRIPTION**

FIG. 1 is a left perspective view of cosmetic tool handle; FIG. 2 is a left side view of the cosmetic tool handle shown in FIG. 1; FIG. 3 is a right side view of the cosmetic tool handle shown in FIG. 1; FIG. 4 is a rear view of the cosmetic tool handle shown in FIG. 1; FIG. 5 is a front side view of the cosmetic tool handle shown in FIG. 1; FIG. 6 is a top side view of the cosmetic tool handle shown in FIG. 1; and, FIG. 7 is a bottom view of the cosmetic tool handle shown in FIG. 1.

Any subject matter shown in dashed lines form no part of the claimed invention.

**1 Claim, 4 Drawing Sheets**



(56)

**References Cited**

OTHER PUBLICATIONS

Glendabelle, Paddle Makeup Brush From Divisoria, posted Mar. 2, 2016, [online], [site visited Oct. 10, 2018]. Available from Internet, <URL: <http://www.glendabelle.com/2016/03/paddle-makeup-brush-from-divisoria.html>> (Year: 2016).\*

Trisa Toothbrush, Manual Toothbrushes, webarchived Oct. 13, 2013, [online], [site visited Oct. 10, 2018]. Available from Internet, <URL: <https://web.archive.org/web/20131013184454/https://www.trisatoothbrush.com/manual-toothbrushes.html>> (Year: 2013).\*

\* cited by examiner

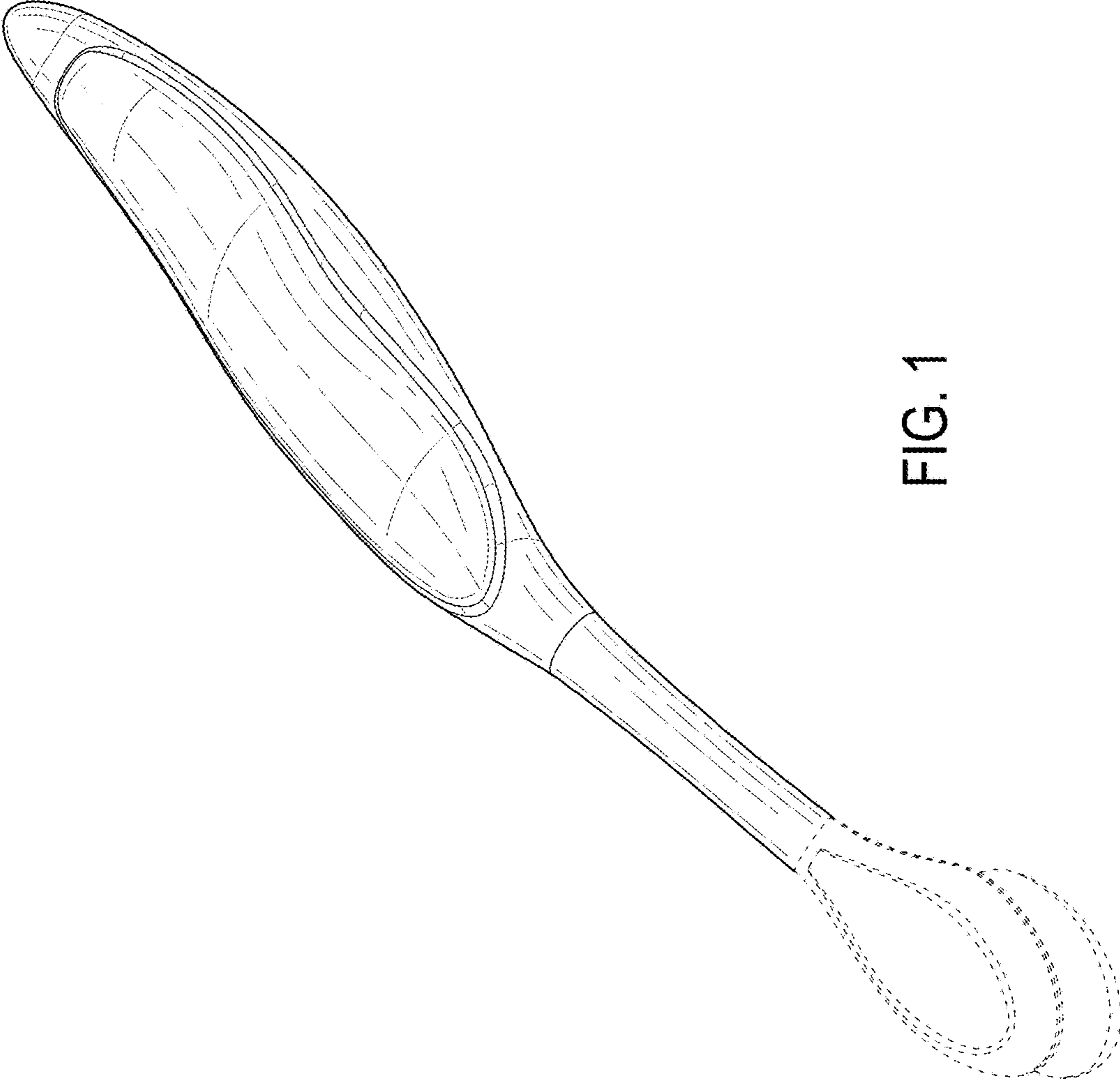
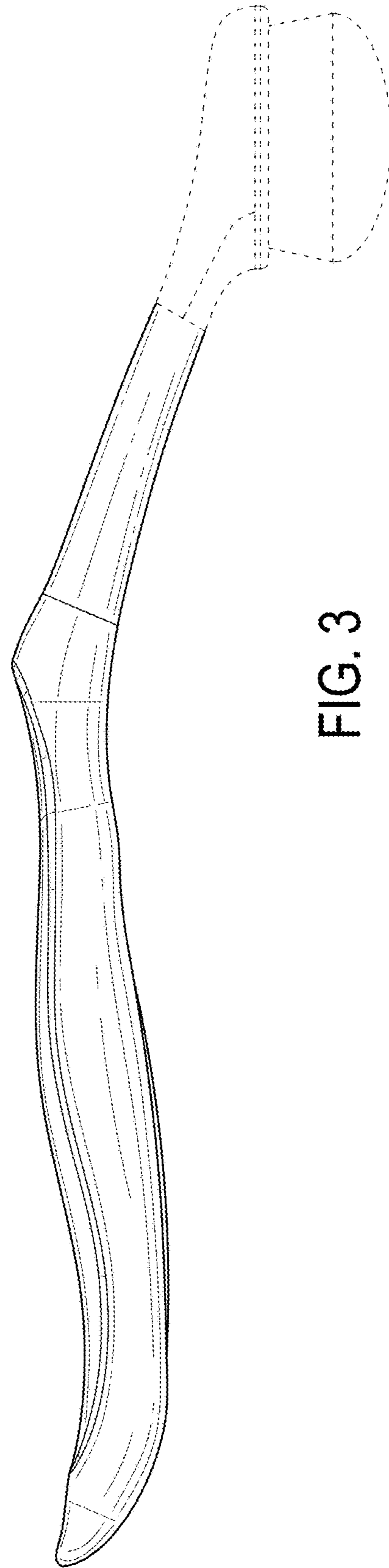
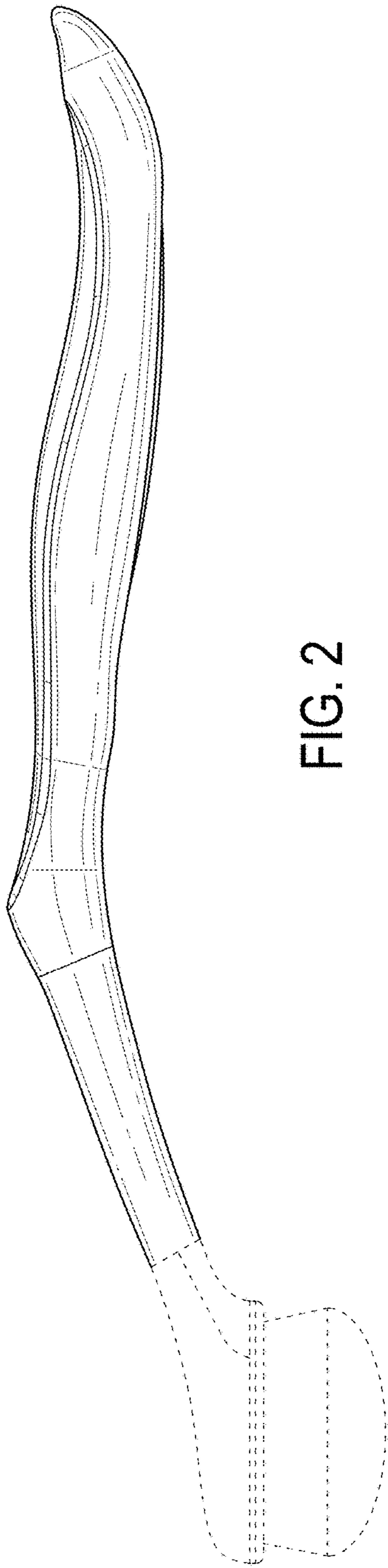


FIG. 1



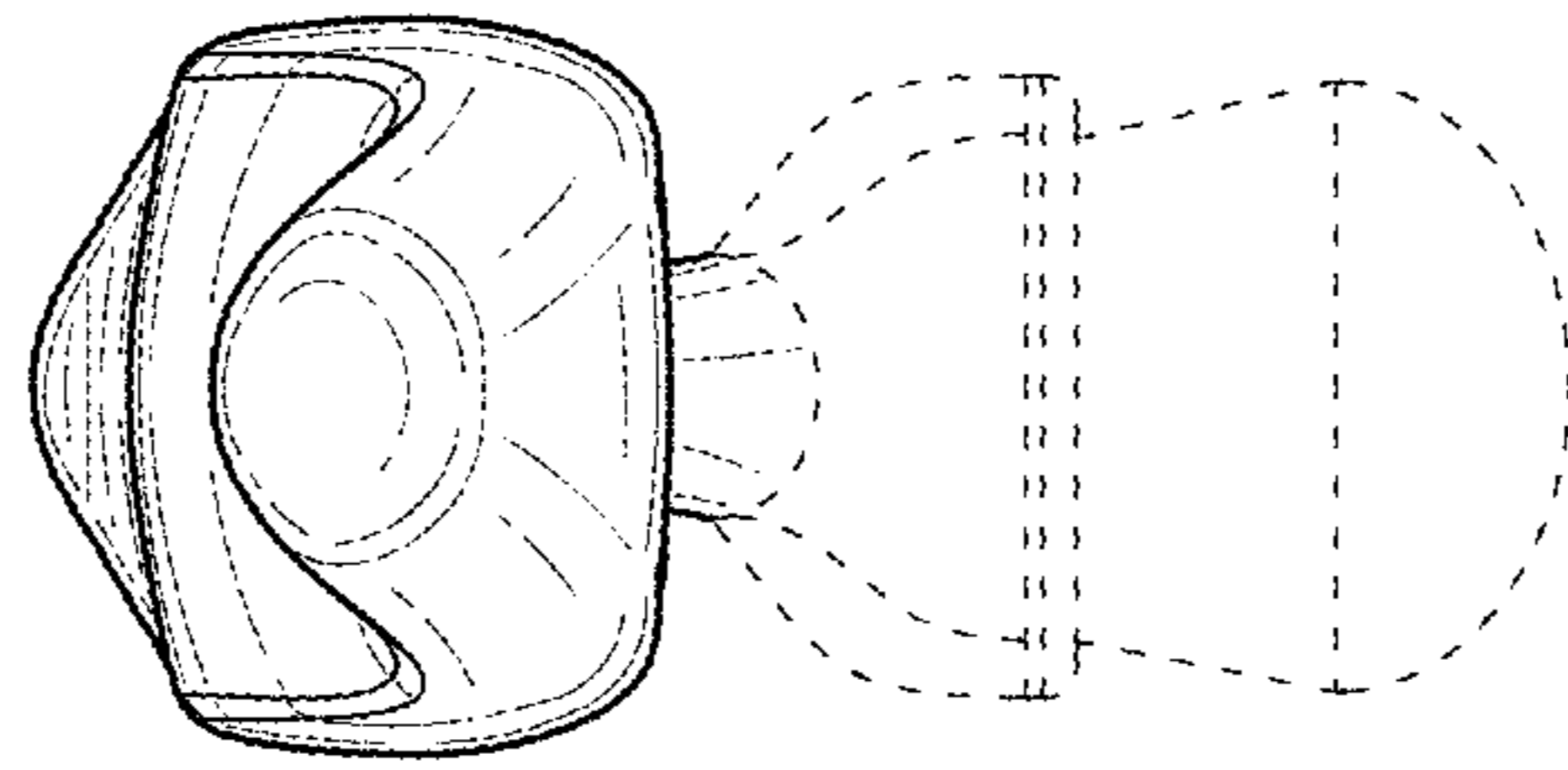


FIG. 5

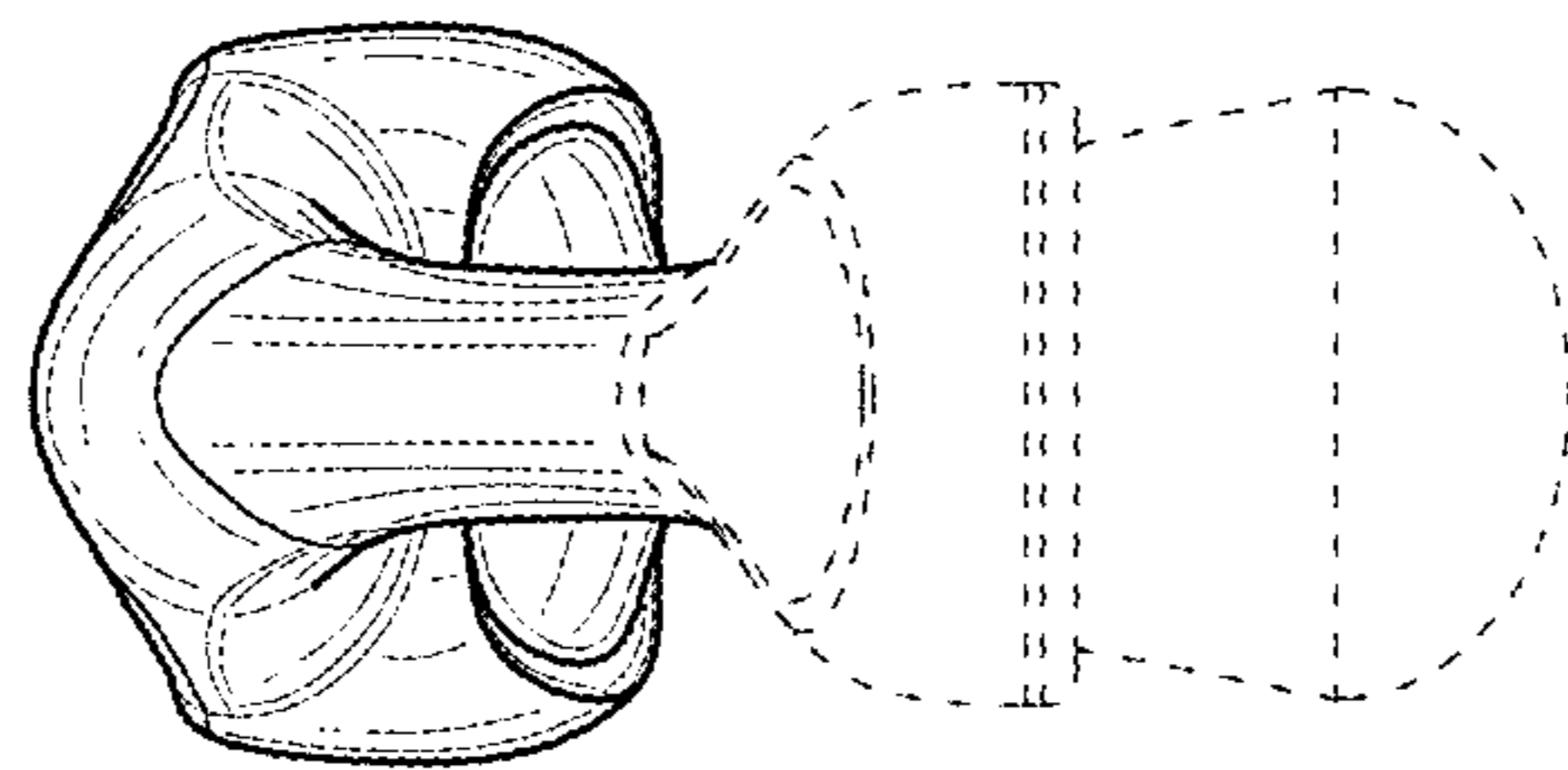


FIG. 4

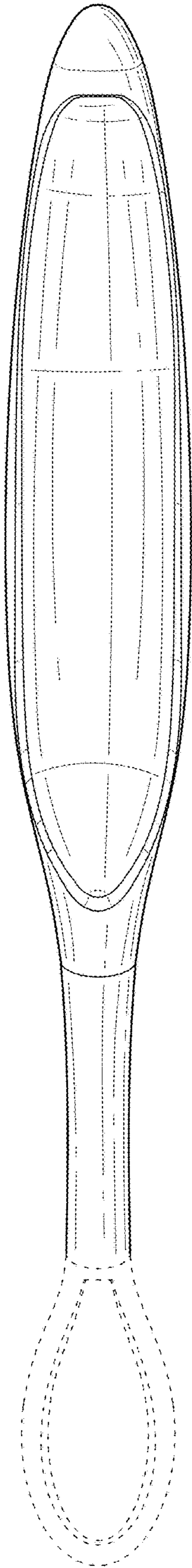


FIG. 6

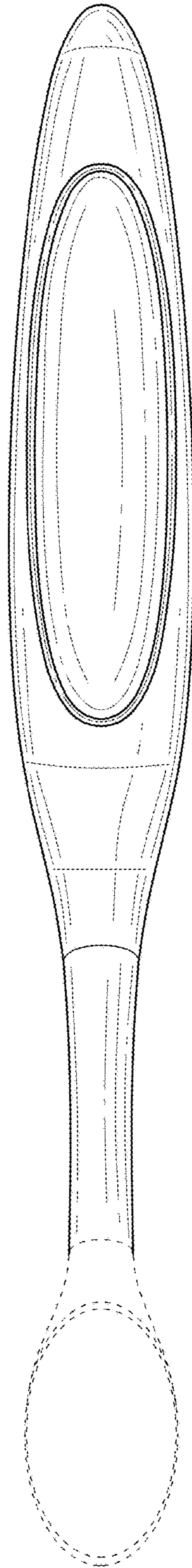


FIG. 7