



US00D843053S

(12) **United States Design Patent**
Zhang et al.

(10) **Patent No.:** **US D843,053 S**
(45) **Date of Patent:** **** Mar. 12, 2019**

- (54) **COSMETIC SPRAYER**
- (71) Applicant: **FENGHUA BIDA MACHINERY MANUFACTURE CO., LTD.**,
Fenghua, Zhejiang (CN)
- (72) Inventors: **Minggui Zhang**, Zhejiang (CN);
Wujun Shen, Zhejiang (CN); **Mingke Zhong**, Zhejiang (CN); **Yuanfang Liang**, Zhejiang (CN)
- (73) Assignee: **Fenghua Bida Machinery Manufacture Co., Ltd.** (CN)
- (**) Term: **15 Years**
- (21) Appl. No.: **29/583,750**
- (22) Filed: **Nov. 8, 2016**
- (51) **LOC (11) Cl.** **28-03**
- (52) **U.S. Cl.**
USPC **D28/7**
- (58) **Field of Classification Search**
USPC D28/7, 8; D24/144; D23/213, 223, 226
CPC A45D 34/04; A45D 2200/057; B05B 1/02;
B05B 1/30; B05B 7/0416; B05B 7/0441;
B05B 7/066; B05B 7/067; B05B 7/12;
B05B 7/24; B05B 7/2402; B05B 7/2405;
B05B 7/2416; B05B 7/2424; B05B
7/2478
See application file for complete search history.

- 7,006,874 B2 * 2/2006 Knowlton A45D 44/22
607/101
- 7,070,124 B1 * 7/2006 Juo B05B 7/064
239/345
- 7,115,123 B2 * 10/2006 Knowlton A45D 44/22
606/41
- 7,141,049 B2 * 11/2006 Stern A61B 18/14
606/41
- 7,448,557 B2 * 11/2008 Ray B05B 1/3046
222/326
- 8,096,489 B2 * 1/2012 Fedorov B05B 1/3013
239/345
- 9,943,156 B2 * 4/2018 Zhang A45D 34/04
- 2011/0257642 A1 * 10/2011 Griggs, III A61B 18/0218
606/22

* cited by examiner

Primary Examiner — Zenia I Bennett

(57) **CLAIM**

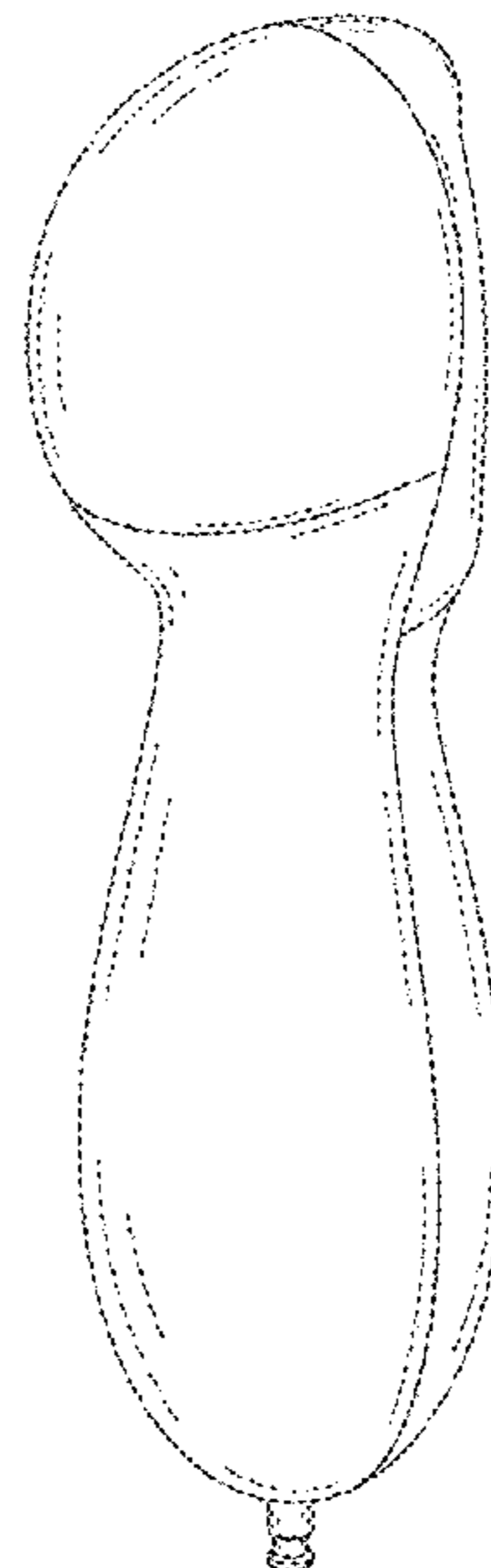
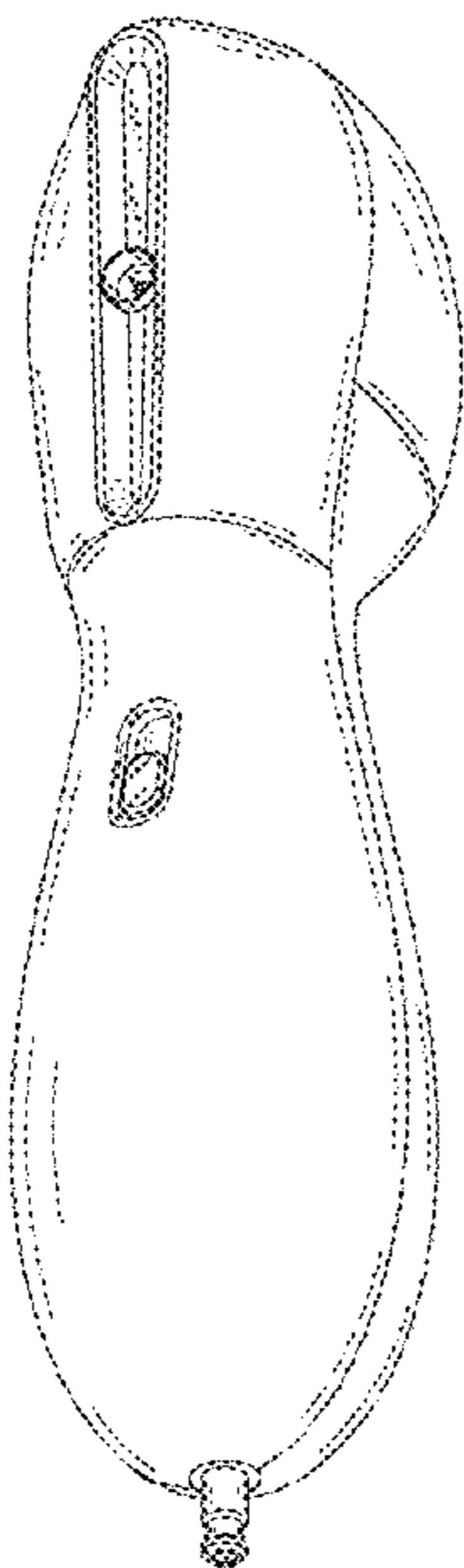
The ornamental design for a cosmetic sprayer, as shown and described.

DESCRIPTION

FIG. 1 is a front view of the cosmetic sprayer showing our new design;
FIG. 2 is a back view thereof;
FIG. 3 is a left side view thereof;
FIG. 4 is a right side view thereof;
FIG. 5 is a top view thereof;
FIG. 6 is a bottom view thereof;
FIG. 7 is a perspective view thereof; and,
FIG. 8 is another perspective view thereof.

1 Claim, 4 Drawing Sheets

- (56) **References Cited**
U.S. PATENT DOCUMENTS
D490,563 S * 5/2004 Angeletta D28/7
6,960,202 B2 * 11/2005 Cluzeau A61B 18/0218
606/20



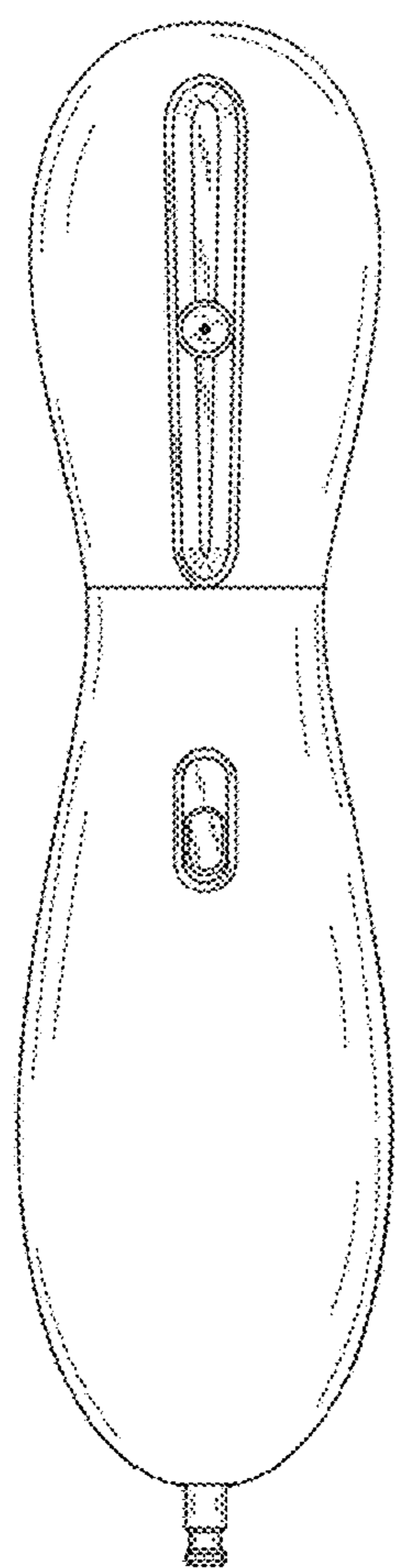


FIG.1

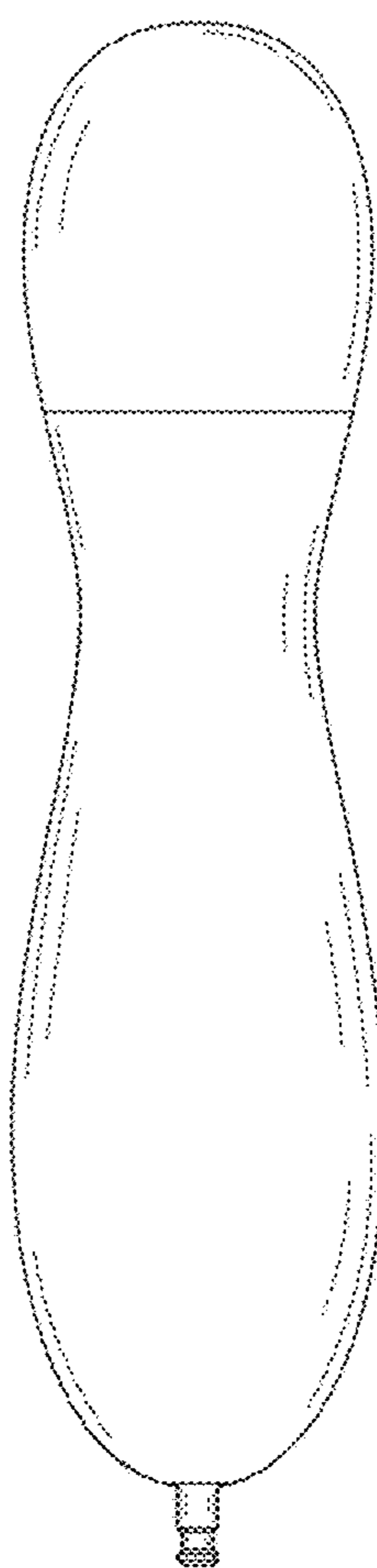


FIG.2

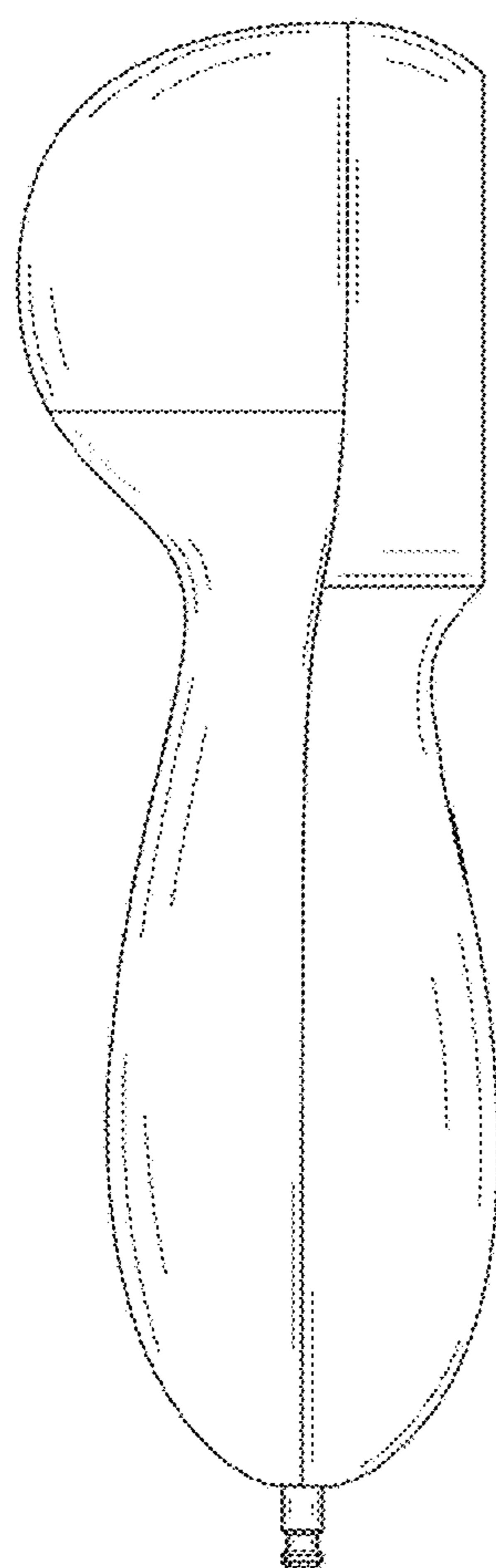


FIG.3

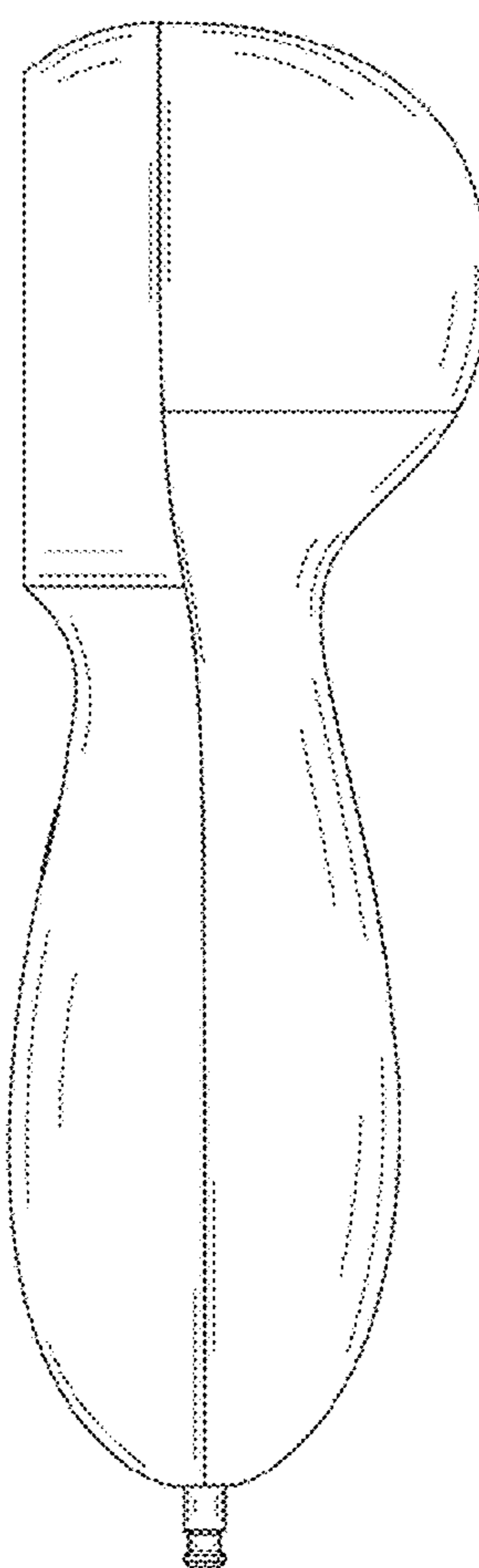


FIG.4

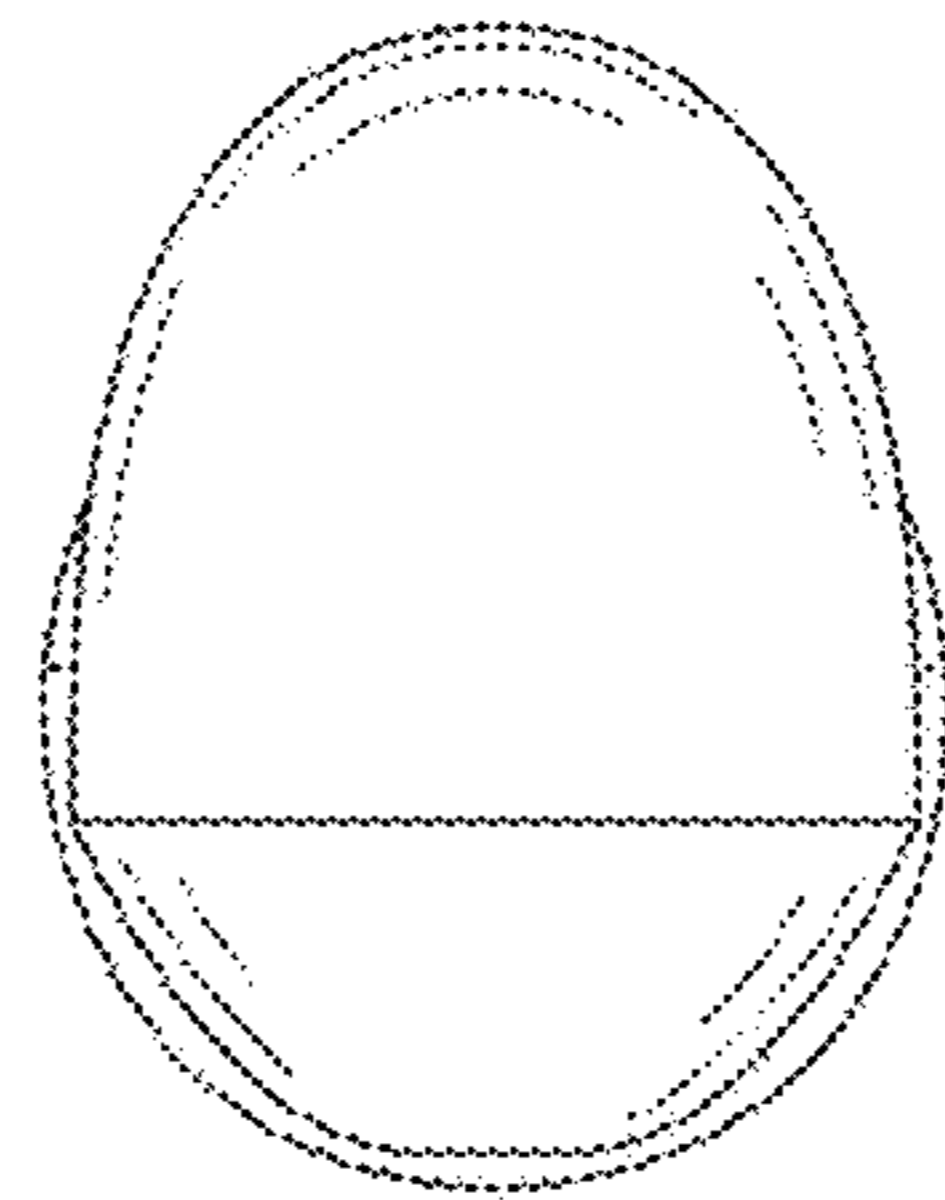


FIG. 5

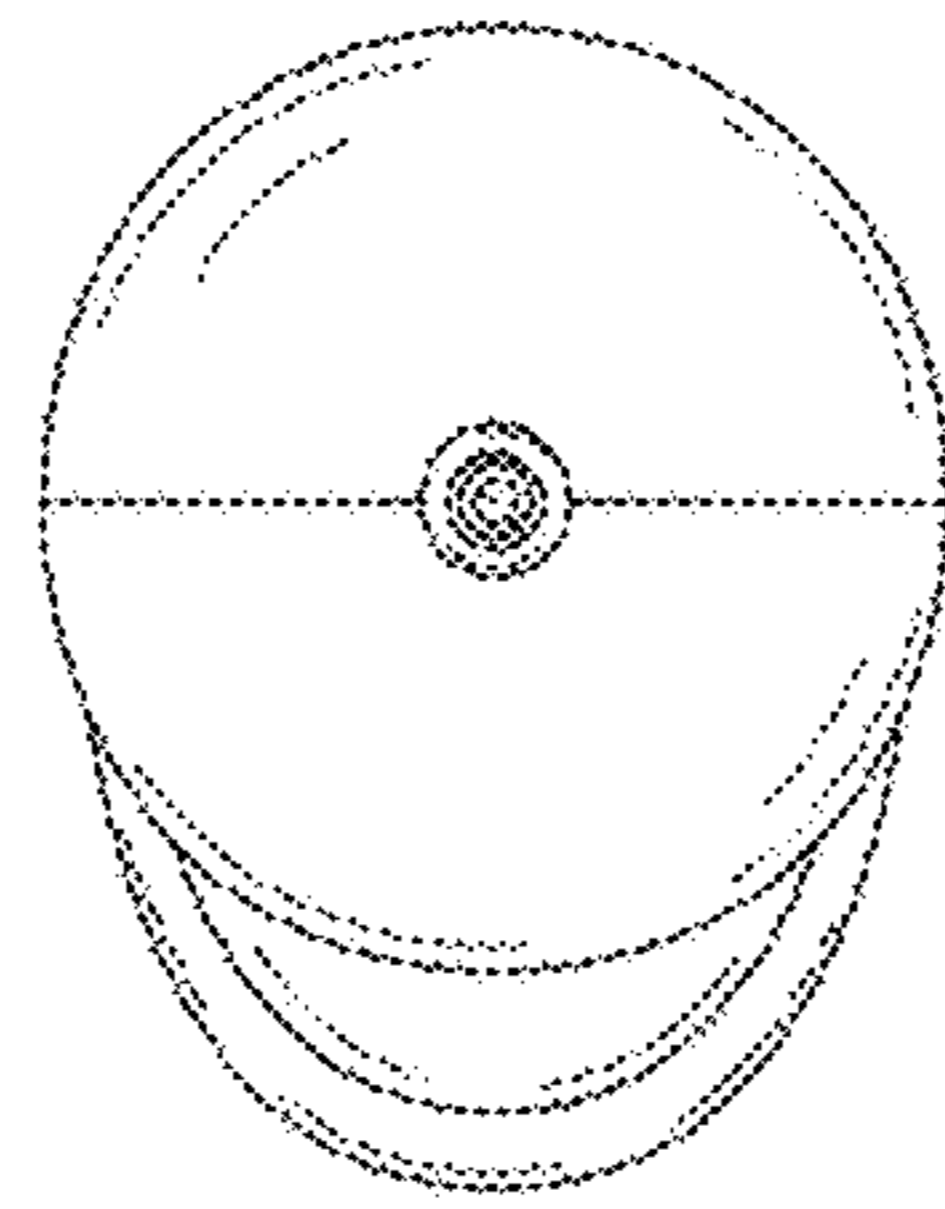


FIG. 6

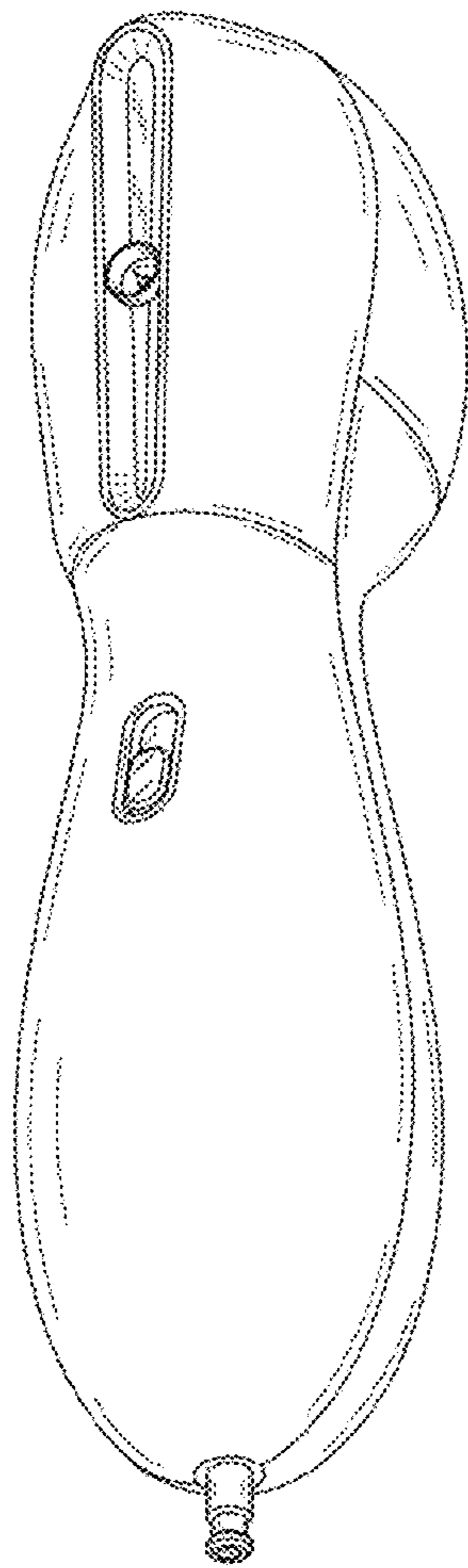


FIG. 7

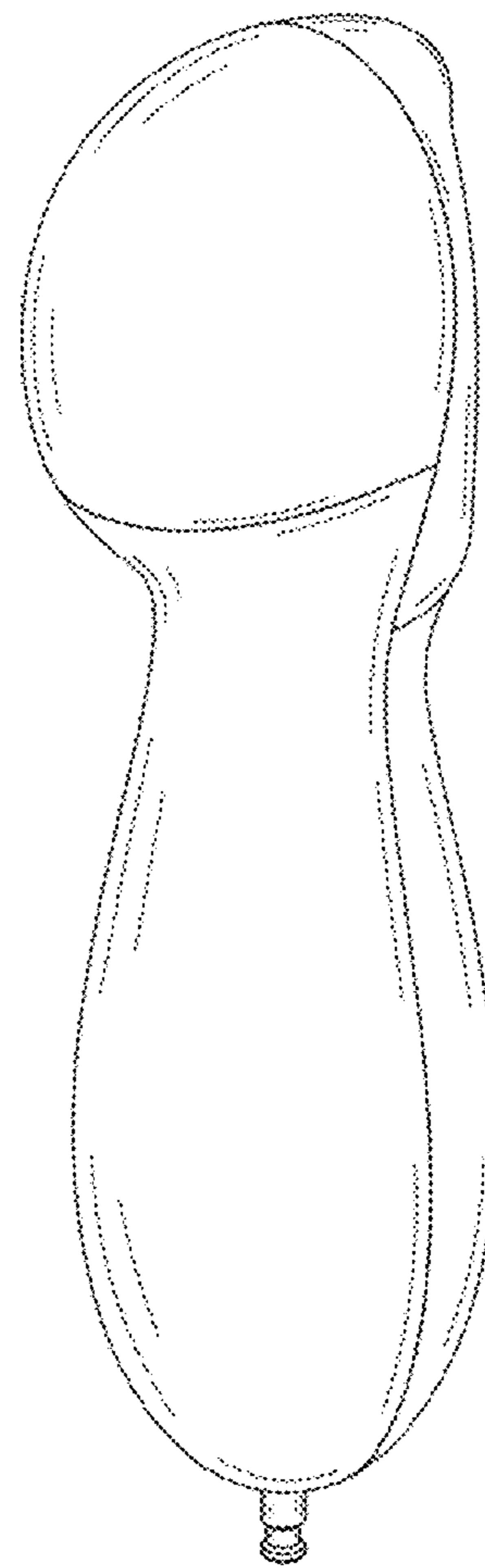


FIG. 8