



US00D843052S

(12) **United States Design Patent** (10) **Patent No.:** **US D843,052 S**
Powell et al. (45) **Date of Patent:** **** Mar. 12, 2019**

(54) **AEROSOL GENERATOR**

(71) Applicant: **British American Tobacco (Investments) Limited**, London (GB)
(72) Inventors: **David Hillary Powell**, London (GB); **Matthew Peter Tidnam**, London (GB); **Rowan Stephen Williams**, London (GB); **Neil Martin Baron**, London (GB); **Graham Potts**, London (GB); **Kok Chian Leong**, London (GB)
(73) Assignee: **BRITISH AMERICAN TOBACCO (INVESTMENTS) LIMITED**, London (GB)

(**) Term: **15 Years**

(21) Appl. No.: **29/557,914**

(22) Filed: **Mar. 14, 2016**

(30) **Foreign Application Priority Data**

Sep. 21, 2015 (EM) 002776062
Feb. 10, 2016 (EM) 002981043

(51) **LOC (11) Cl.** **27-01**

(52) **U.S. Cl.**
USPC **D27/163**

(58) **Field of Classification Search**
USPC D23/332, 333, 354, 355, 356, 357, 358, D23/359, 360, 362, 363, 364, 365, 366,
(Continued)

(56) **References Cited**

U.S. PATENT DOCUMENTS

D22,270 S * 3/1893 Kinney D9/763
D27,458 S * 8/1897 Cameron D9/781
(Continued)

FOREIGN PATENT DOCUMENTS

EM 002611426-0001 3/2015

OTHER PUBLICATIONS

Reuters, British American Tobacco to test tobacco e-cigarette in Japan, posted on Sep. 8, 2016, [online], [site visited on Apr. 7, 2017]. Available from Internet, <URL: http://www.reuters.com/article/us-brit-am-tobacco-ecigarettes-idUSKBN1330AG>.*

(Continued)

Primary Examiner — Sheryl Lane
Assistant Examiner — Samantha N Wood
(74) *Attorney, Agent, or Firm* — Patterson Thuent Pedersen, P.A.

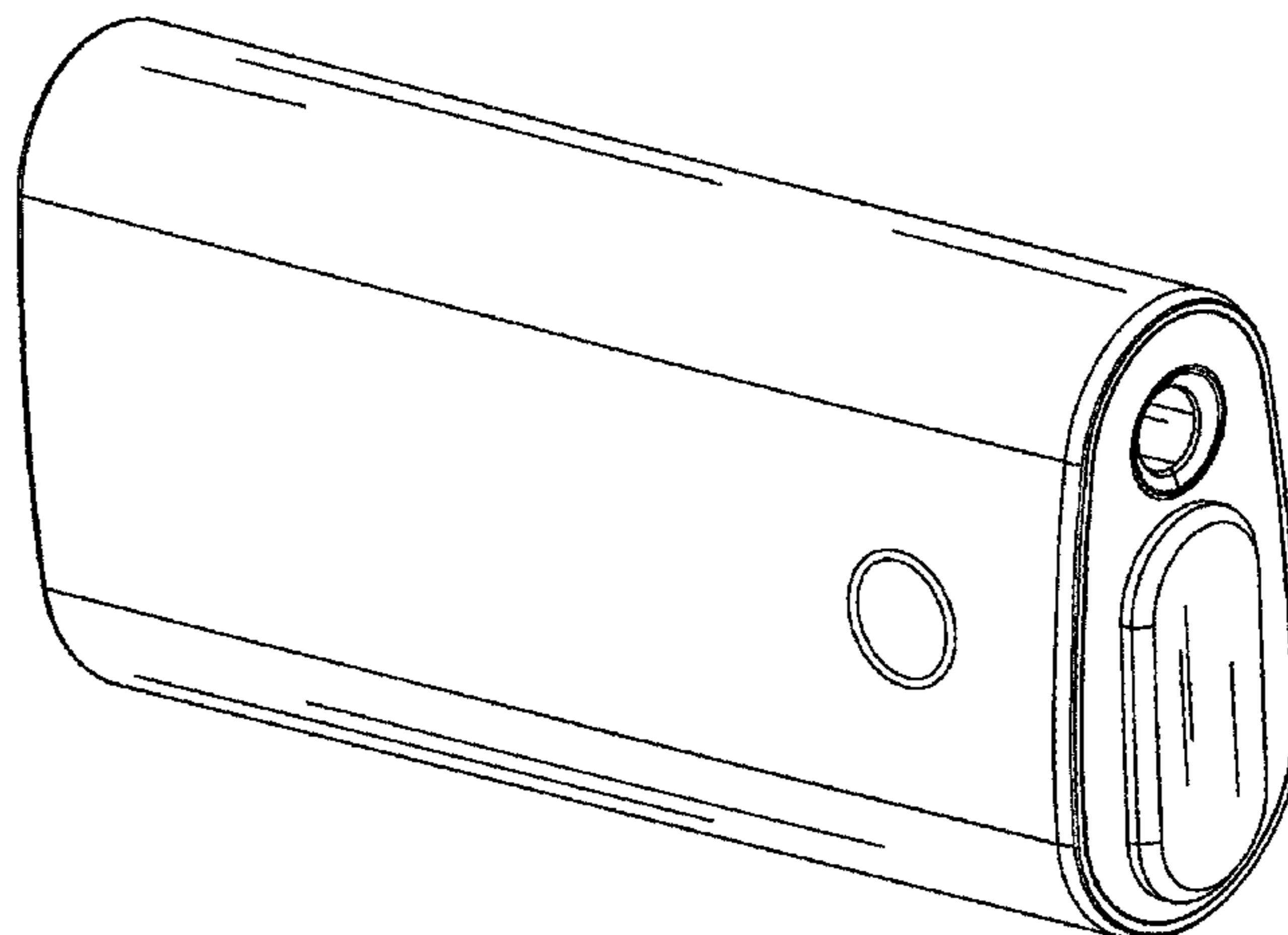
(57) **CLAIM**

We claim the ornamental design for an aerosol generator, as shown and described.

DESCRIPTION

FIG. 1 is a front perspective view of an aerosol generator according to an embodiment.
FIG. 2 is a back perspective view of the aerosol generator of FIG. 1.
FIG. 3 is a front view of the aerosol generator of FIG. 1.
FIG. 4 is a back view of the aerosol generator of FIG. 1.
FIG. 5 is a right side view of the aerosol generator of FIG. 1.
FIG. 6 is a left side view of the aerosol generator of FIG. 1.
FIG. 7 is a top view of the aerosol generator of FIG. 1.
FIG. 8 is a bottom view of the aerosol generator of FIG. 1.
FIG. 9 is a front perspective view of an aerosol generator according to an embodiment.
FIG. 10 is a back perspective view of the aerosol generator of FIG. 9.
FIG. 11 is a front view of the aerosol generator of FIG. 9.
FIG. 12 is a back view of the aerosol generator of FIG. 9.
FIG. 13 is a right side view of the aerosol generator of FIG. 9.
FIG. 14 is a left side view of the aerosol generator of FIG. 9.
FIG. 15 is a top view of the aerosol generator of FIG. 9; and, FIG. 16 is a bottom view of the aerosol generator of FIG. 9.

(Continued)



The broken lines showing portions of the aerosol generator are included for the purpose of illustrating portions of the article and form no part of the claimed design.

1 Claim, 16 Drawing Sheets

(58) **Field of Classification Search**

USPC D23/369, 386, 202, 206; D9/763, 781, D9/782, 783; D14/217; D27/107, 110, D27/139, 141, 142, 143, 144, 162, 163, D27/164, 167, 172-193, 194, 100, 101; 261/DIG. 17, DIG. 42, DIG. 47, DIG. 65, 261/DIG. 88, DIG. 89, DIG. 31; D18/34.6

CPC A61L 9/00; A61L 9/02; A61L 9/03; A61L 9/032; A61L 9/035; A61L 9/037; A61L 9/04; A61L 9/12; A61L 9/125; A61L 9/127; A61L 9/01; A61L 9/042; A61L 2/20; A61L 2/22; A01M 1/2077; A01M 1/2055; F24F 5/0096; F24F 6/12; B01F 3/04; A62B 21/00; B01D 46/00; B01D 46/10; B01D 46/12; A24B 3/04; A24F 25/02; A24F 47/00; A24F 47/008; F24H 3/0411; B05B 11/068; B05B 7/2421; H05B 3/03; A61M 16/10; A61M 16/108

See application file for complete search history.

(56)

References Cited

U.S. PATENT DOCUMENTS

D303,766	S	*	10/1989	Delbanco	D9/782
D360,281	S	*	7/1995	Kim	D27/141
D422,113	S	*	3/2000	Higgins	D27/186
D424,236	S	*	5/2000	Reed	D27/163
D446,849	S	*	8/2001	Weinberg	D23/364
D512,493	S	*	12/2005	Haranaka	D23/355
D576,718	S	*	9/2008	Nomi	D23/332
D654,160	S	*	2/2012	Yomtov	D23/360
D677,623	S	*	3/2013	Fitch	D13/108
D677,774	S	*	3/2013	Postma	D23/360
D704,319	S	*	5/2014	Cai	D23/333
D708,727	S	*	7/2014	Postma	D23/360
D716,267	S	*	10/2014	Kim	D14/188
D728,855	S	*	5/2015	Liu	D27/163
D743,099	S	*	11/2015	Oglesby	D27/101
D758,656	S	*	6/2016	Freshwater	D27/163
D771,867	S	*	11/2016	Leidel	D27/163
D773,114	S	*	11/2016	Leidel	D27/163
D775,762	S	*	1/2017	Chen	D27/101

OTHER PUBLICATIONS

Russian Decision to Grant for Russian Application No. 2016503074/49 dated Jan. 18, 2017.

* cited by examiner

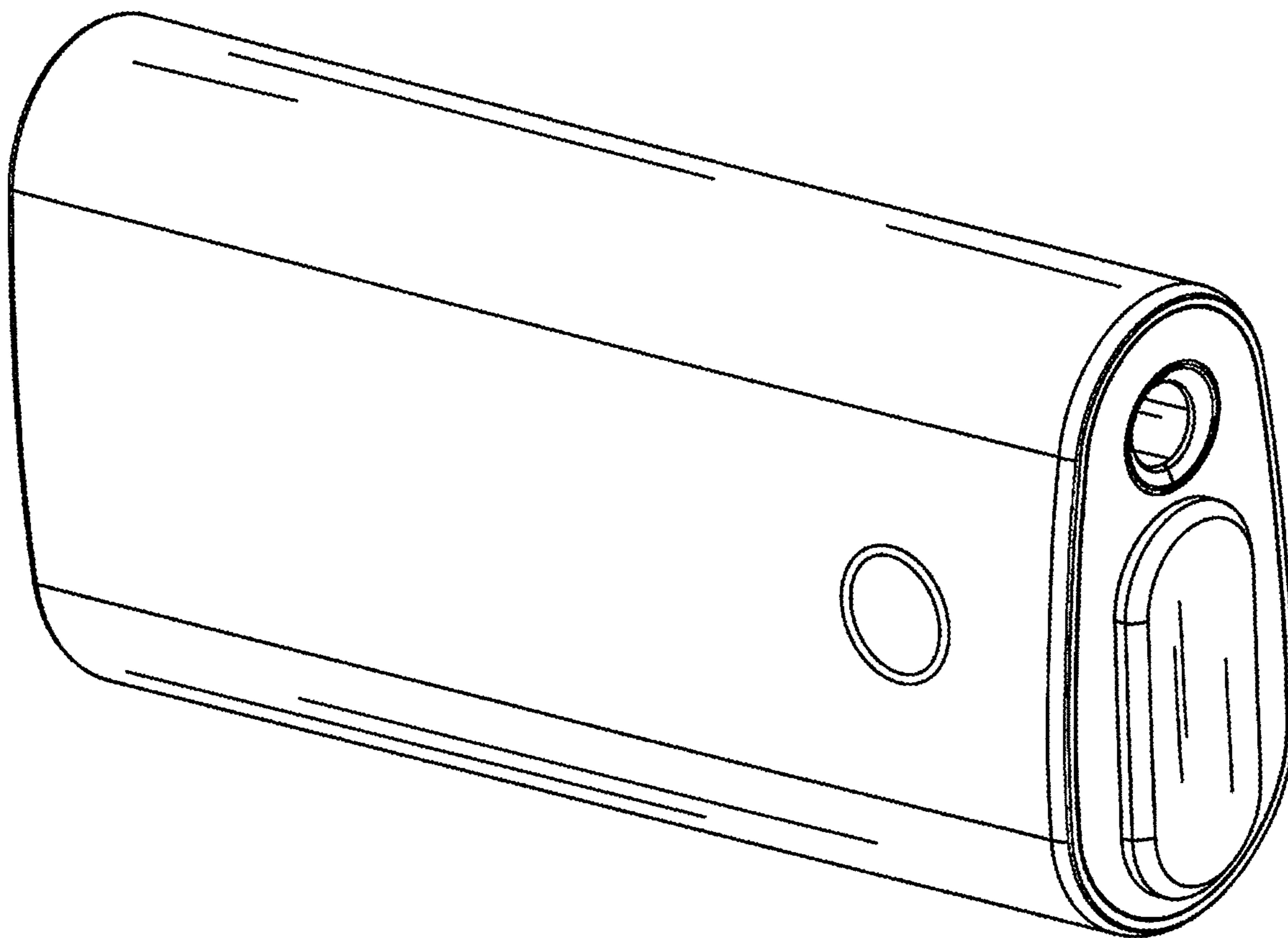


FIG. 1

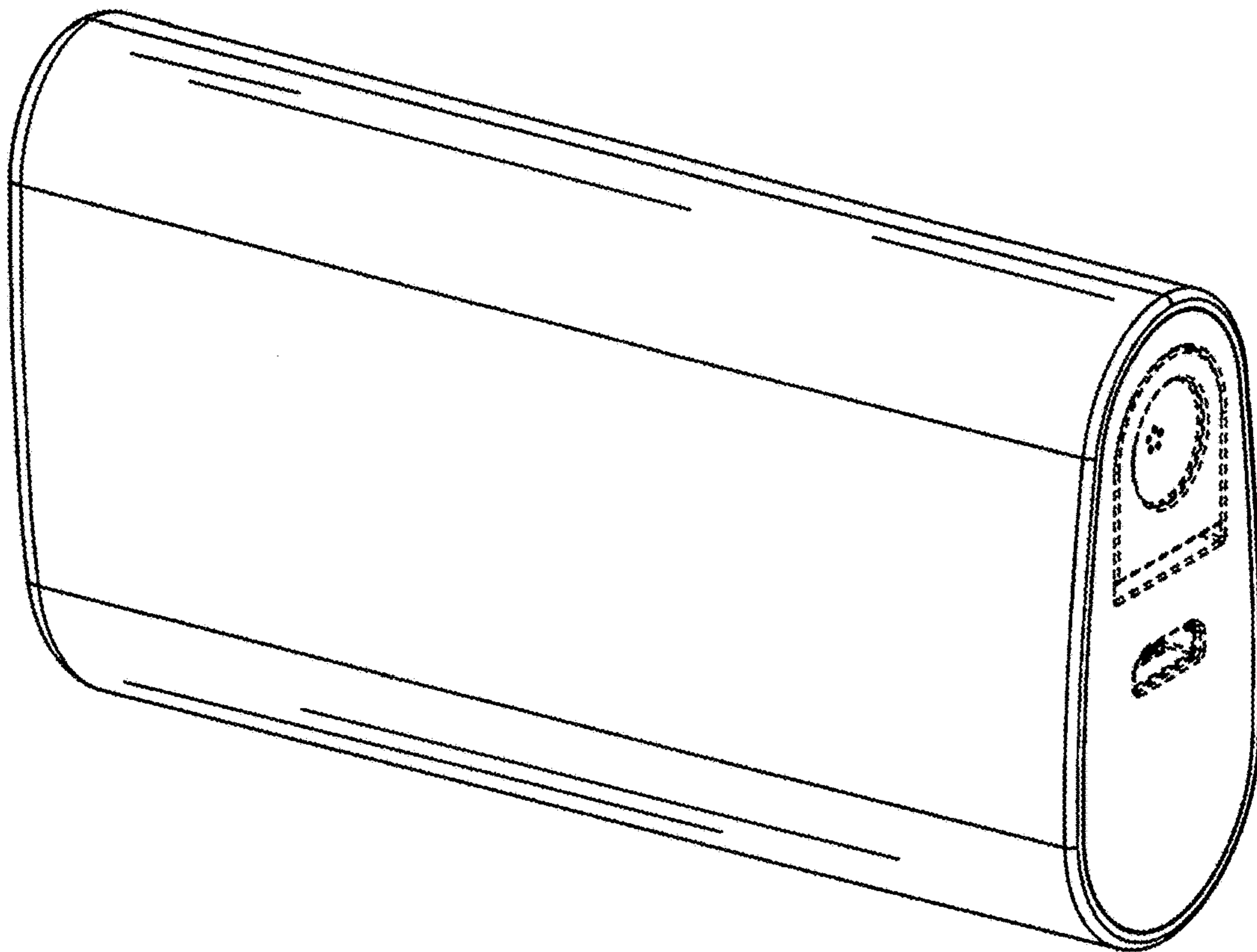


FIG. 2

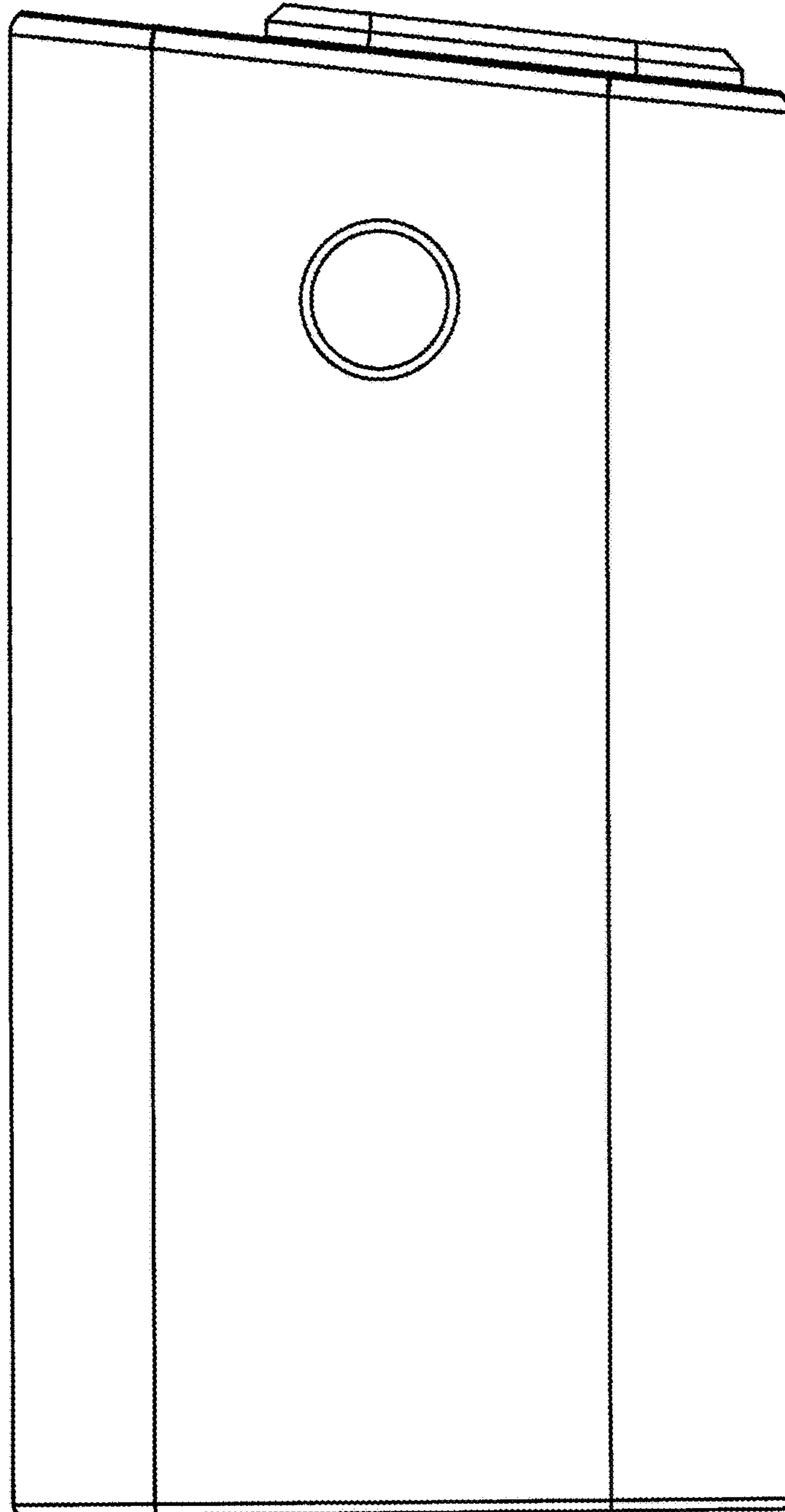


FIG. 3

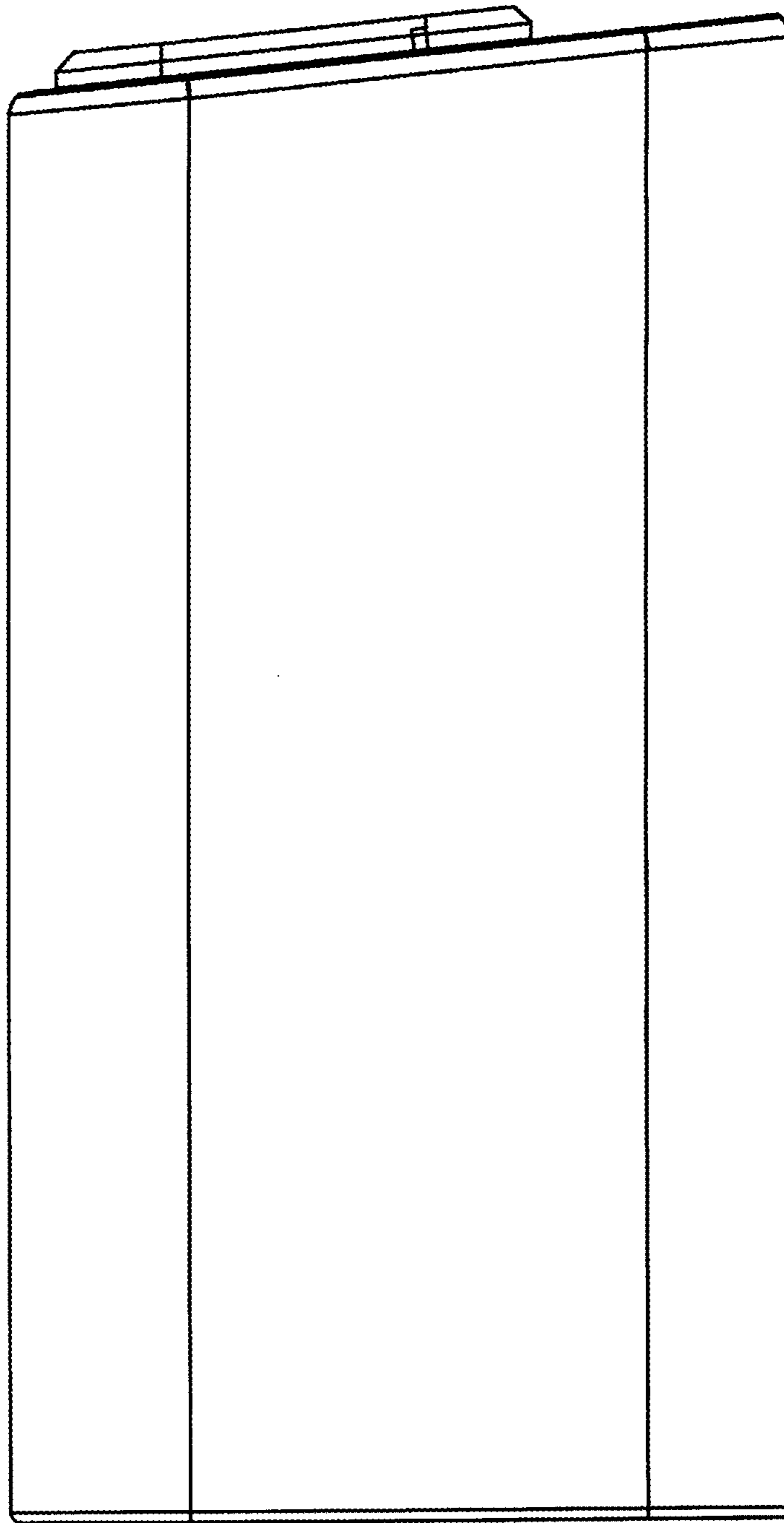


FIG. 4

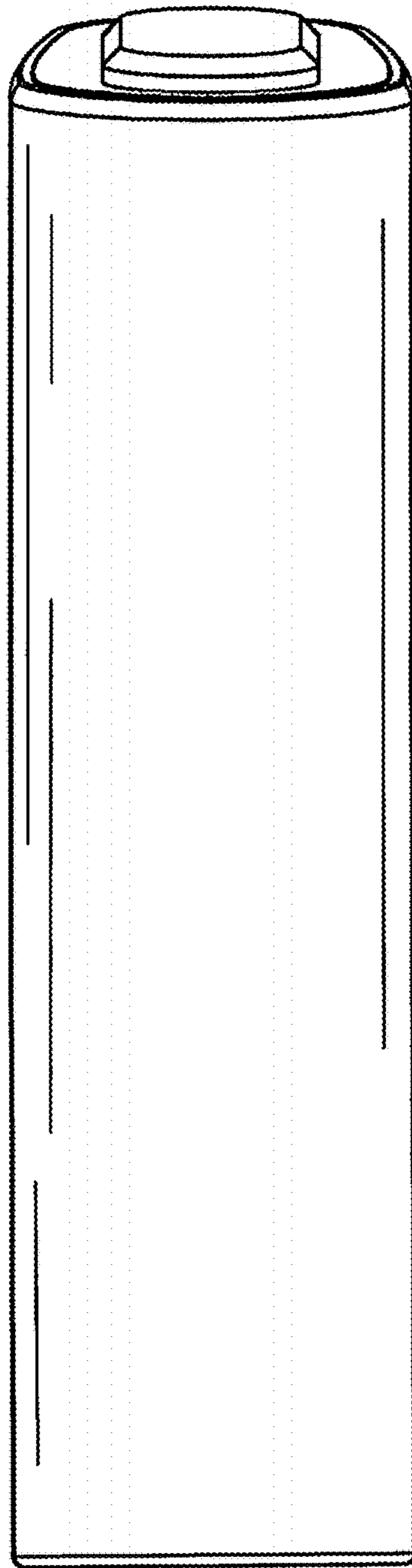


FIG. 5

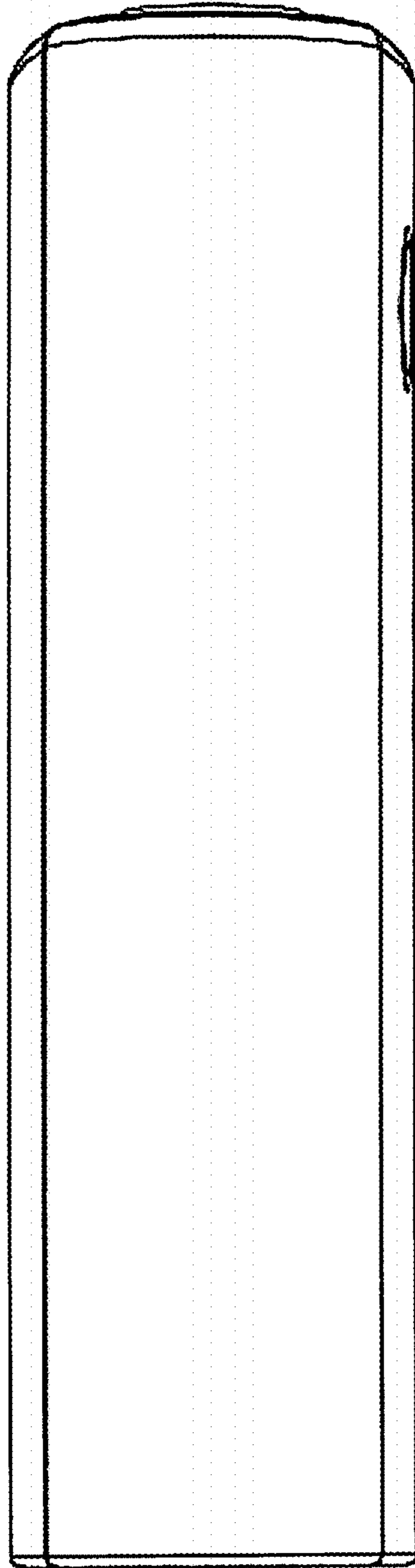


FIG. 6

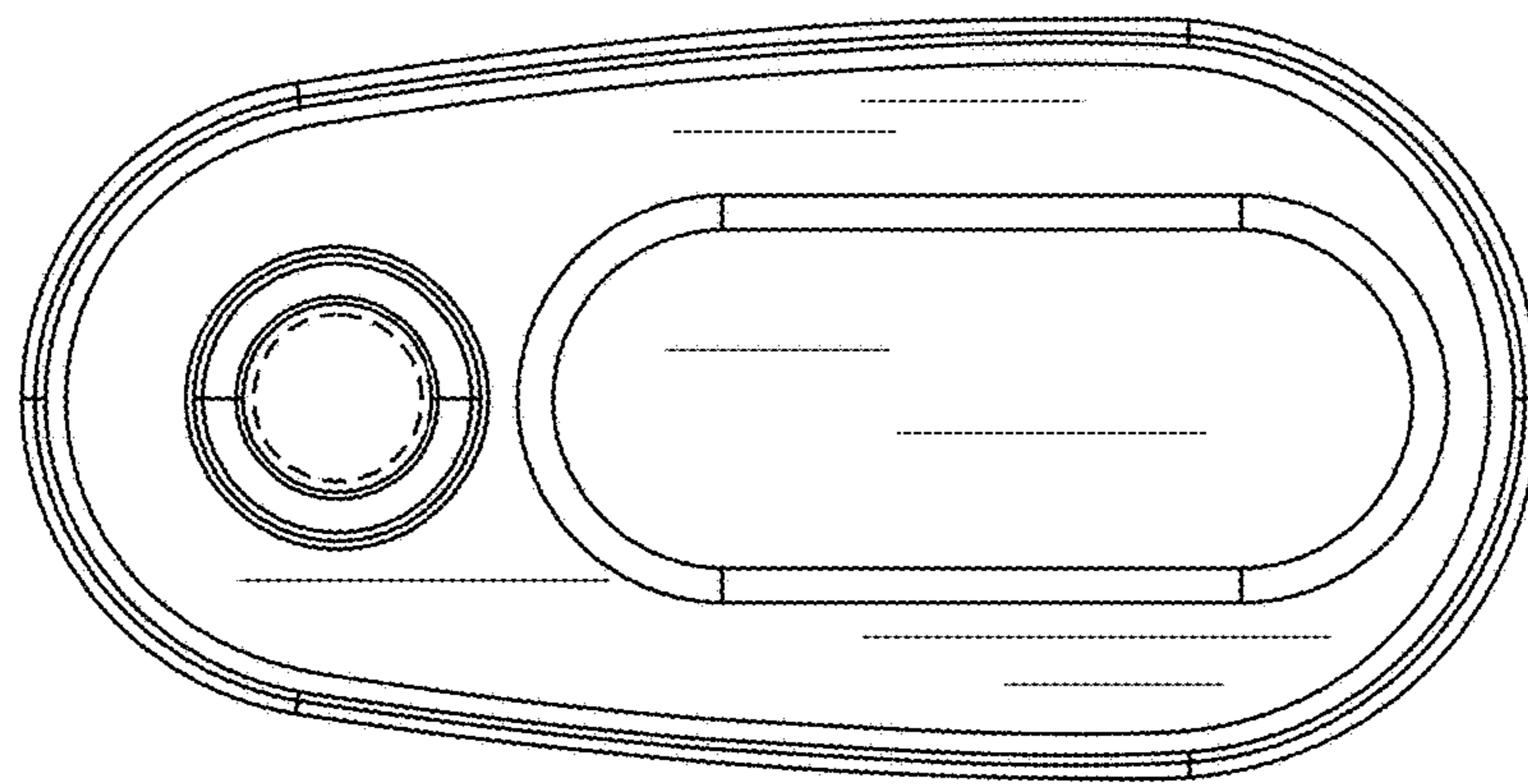


FIG. 7

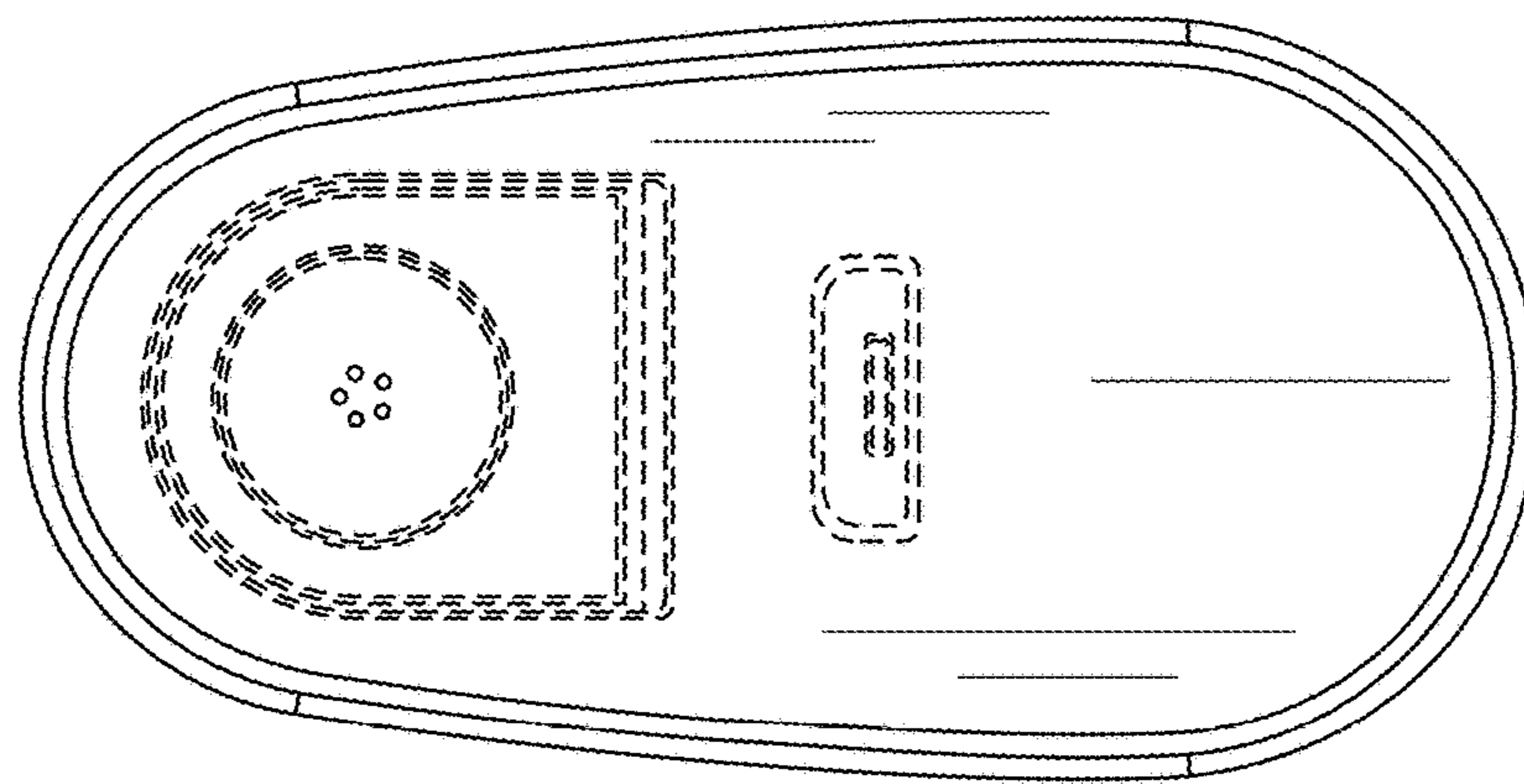


FIG. 8

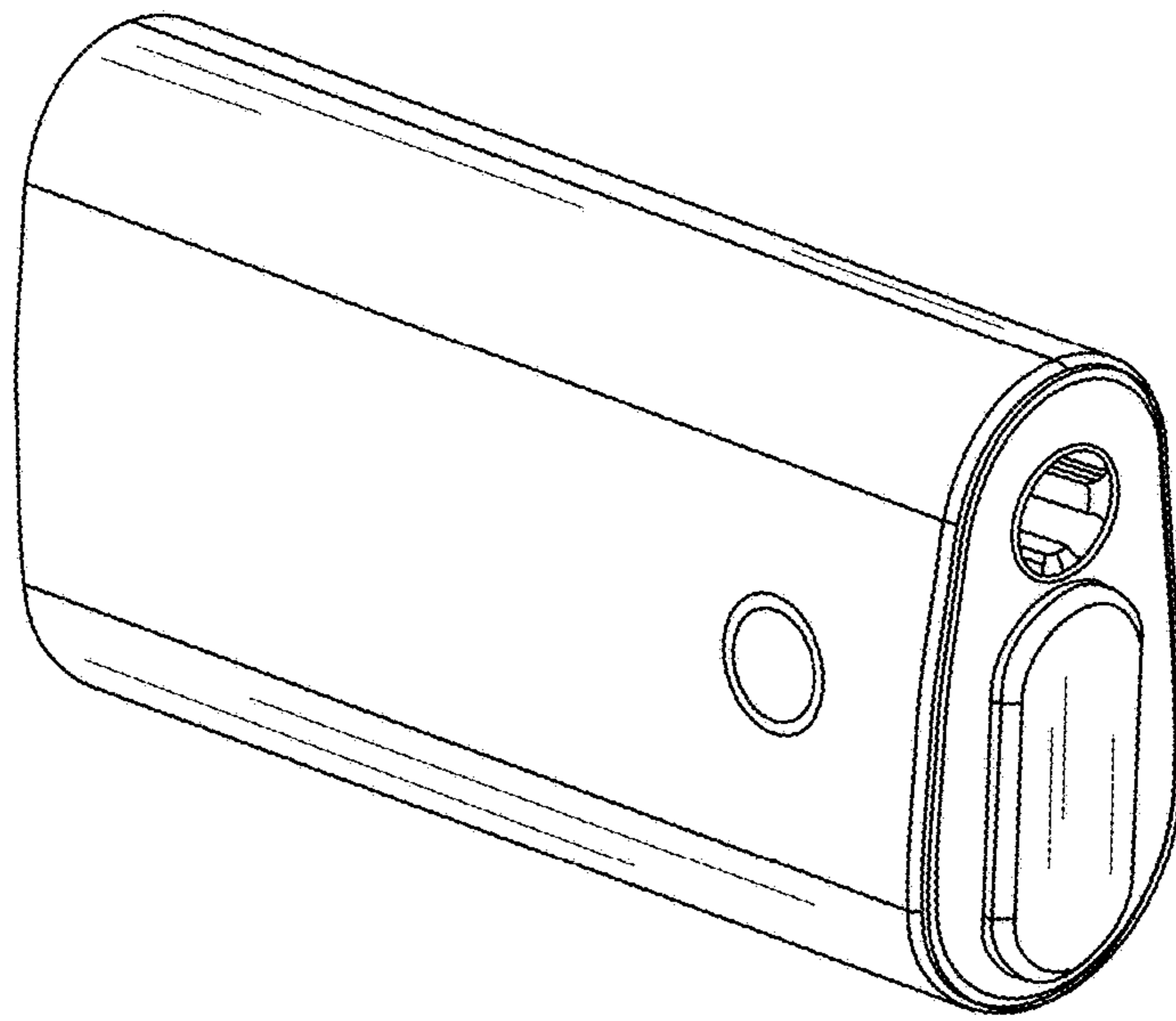


FIG. 9

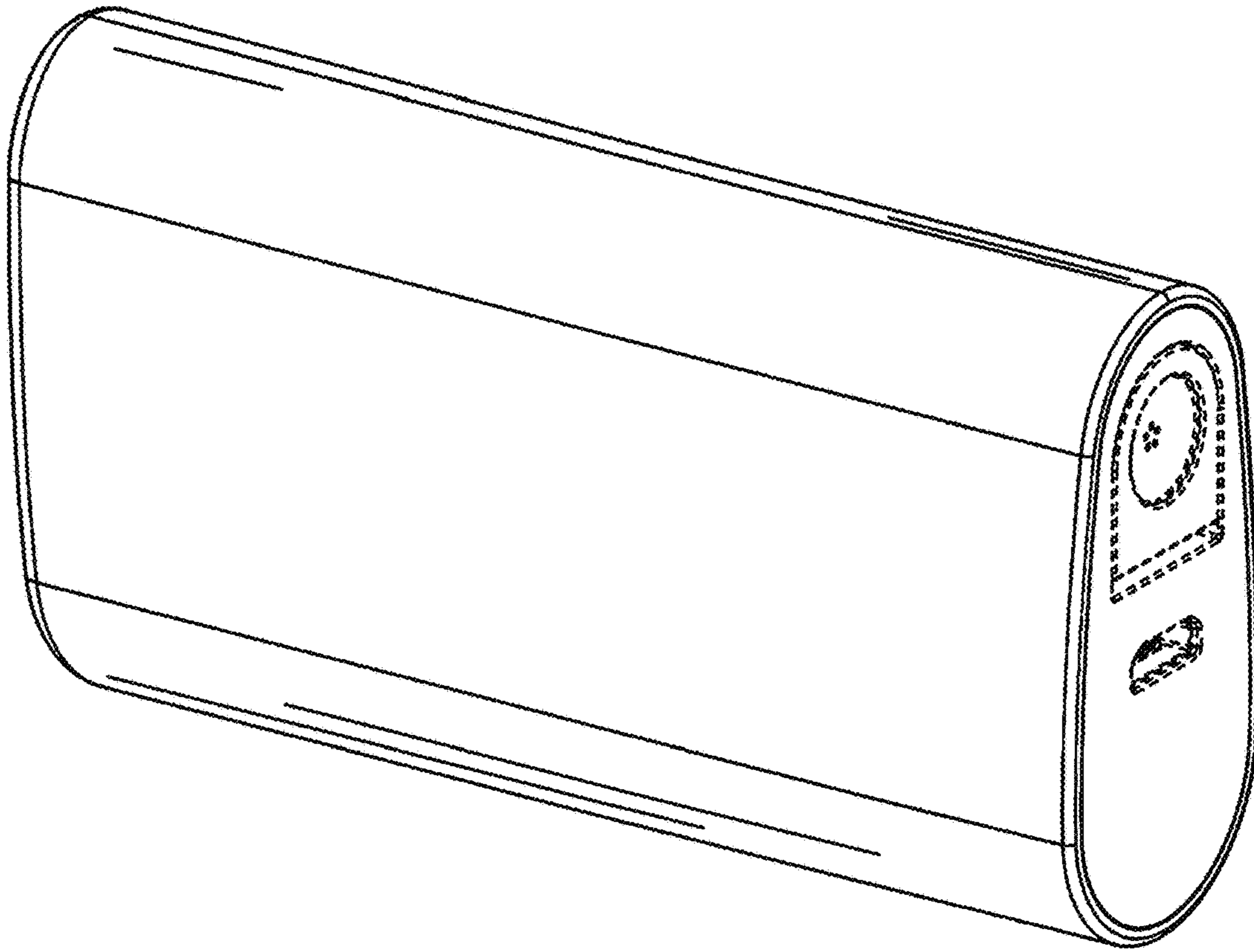


FIG. 10

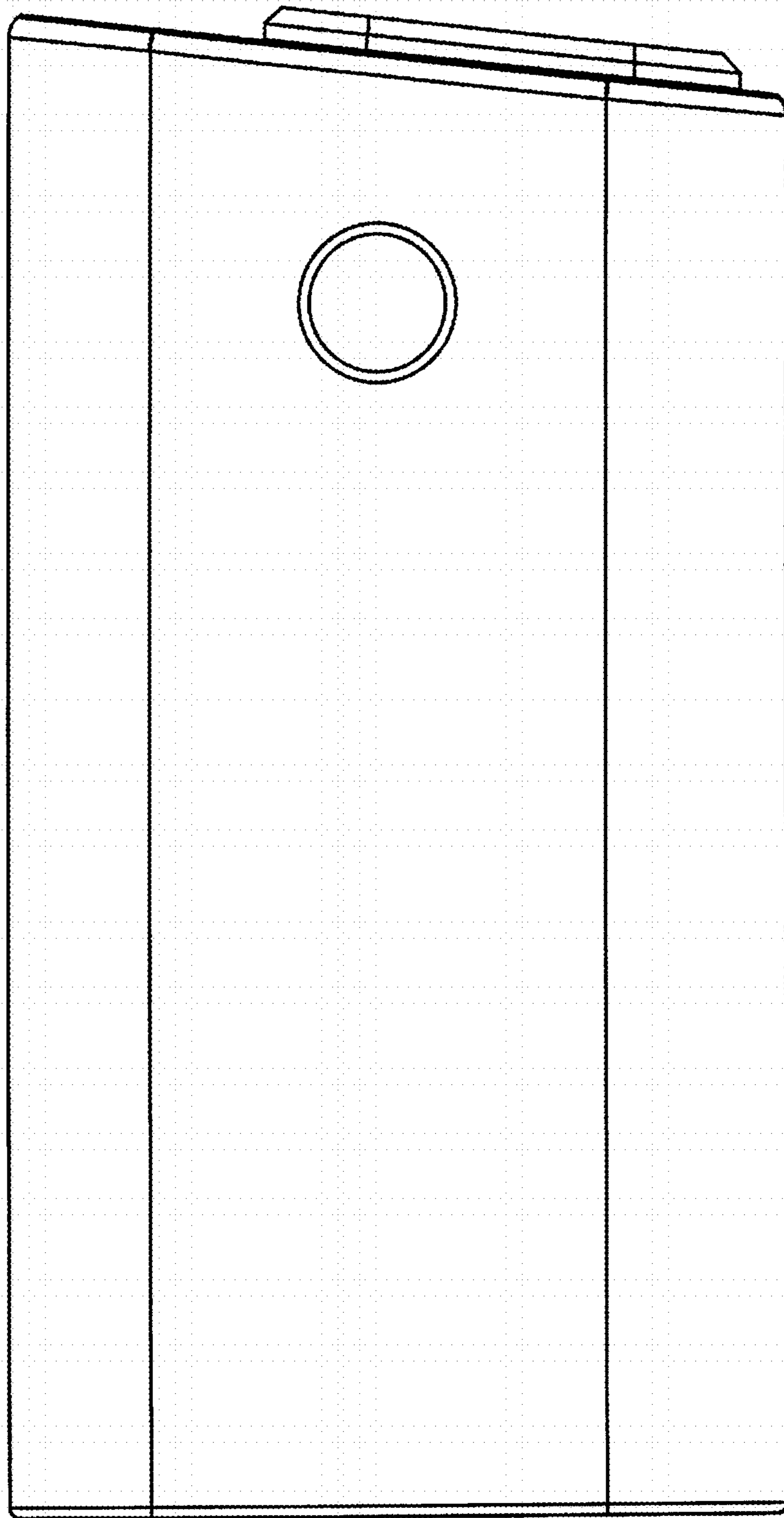


FIG. 11

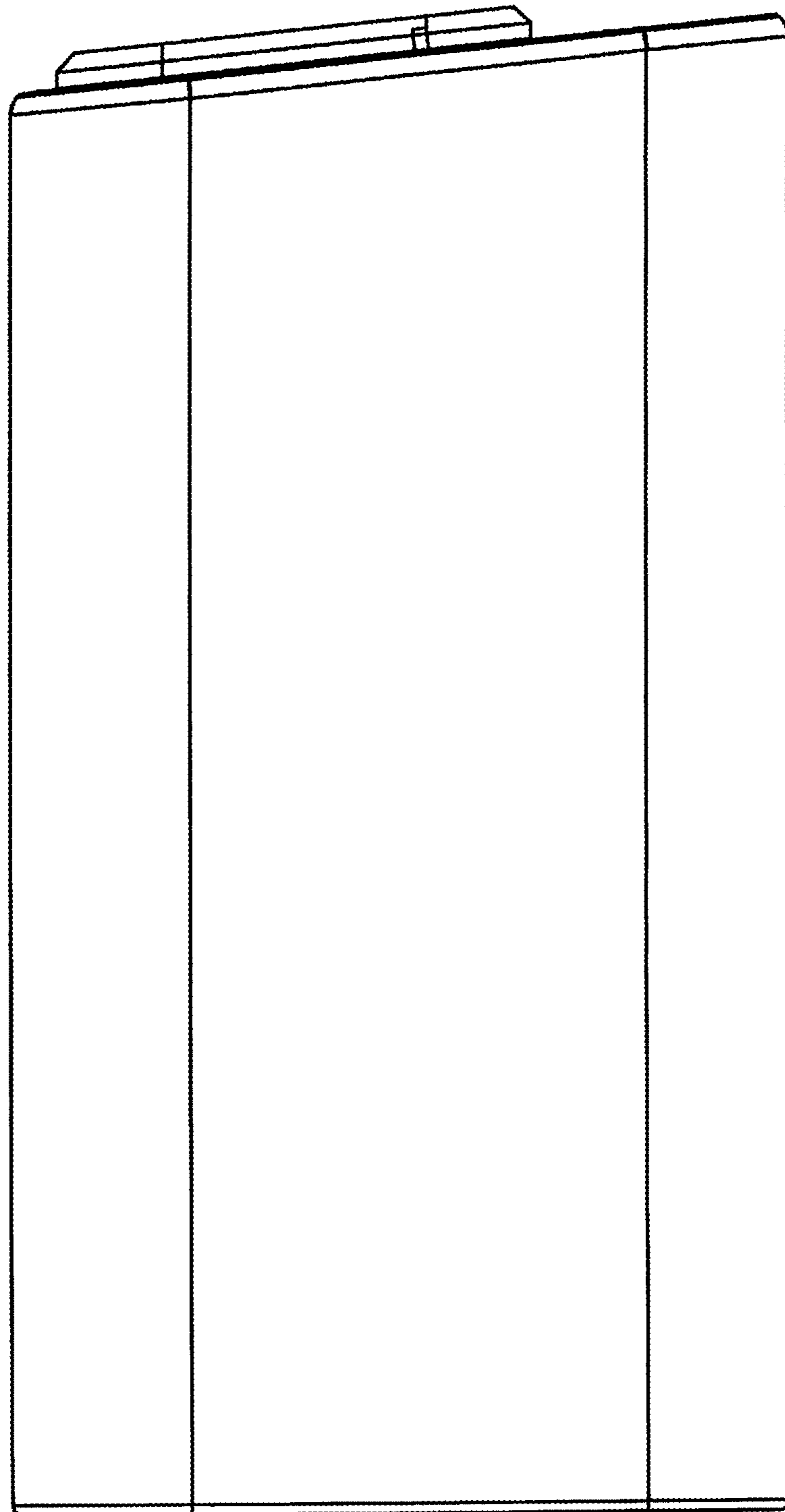


FIG. 12

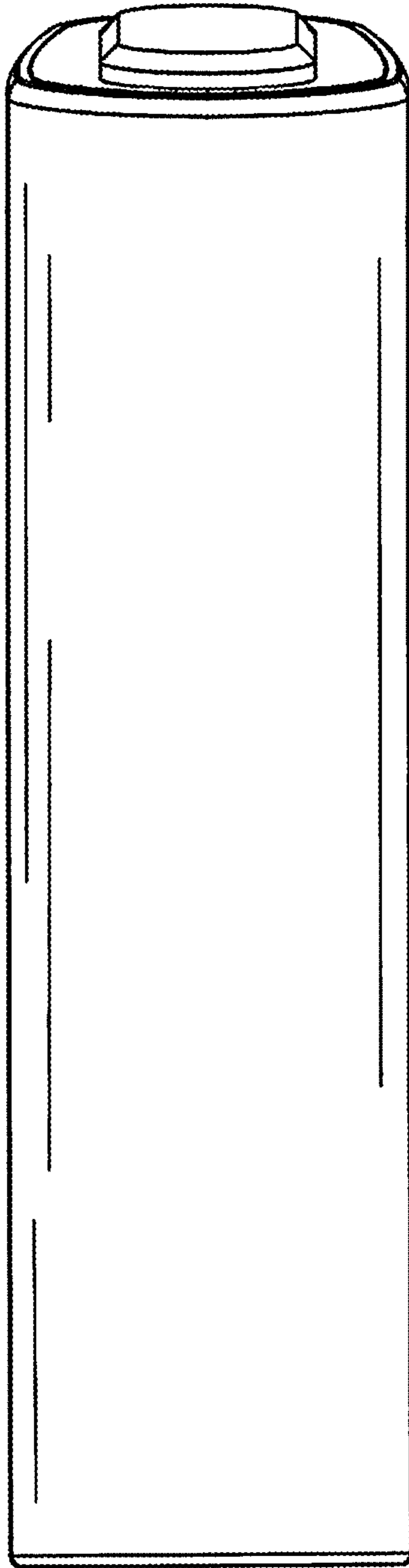


FIG. 13

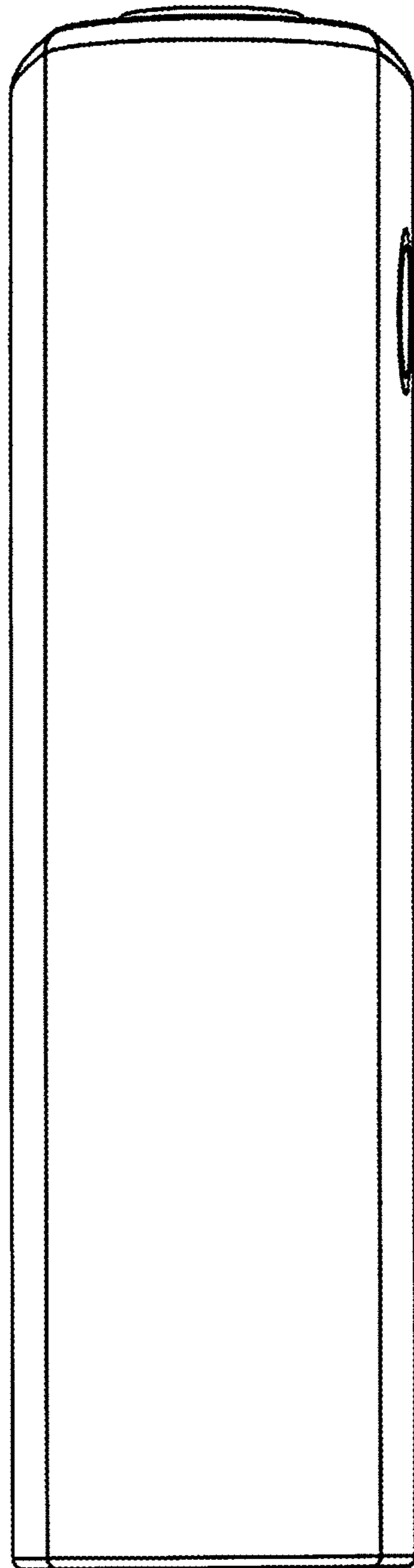


FIG. 14

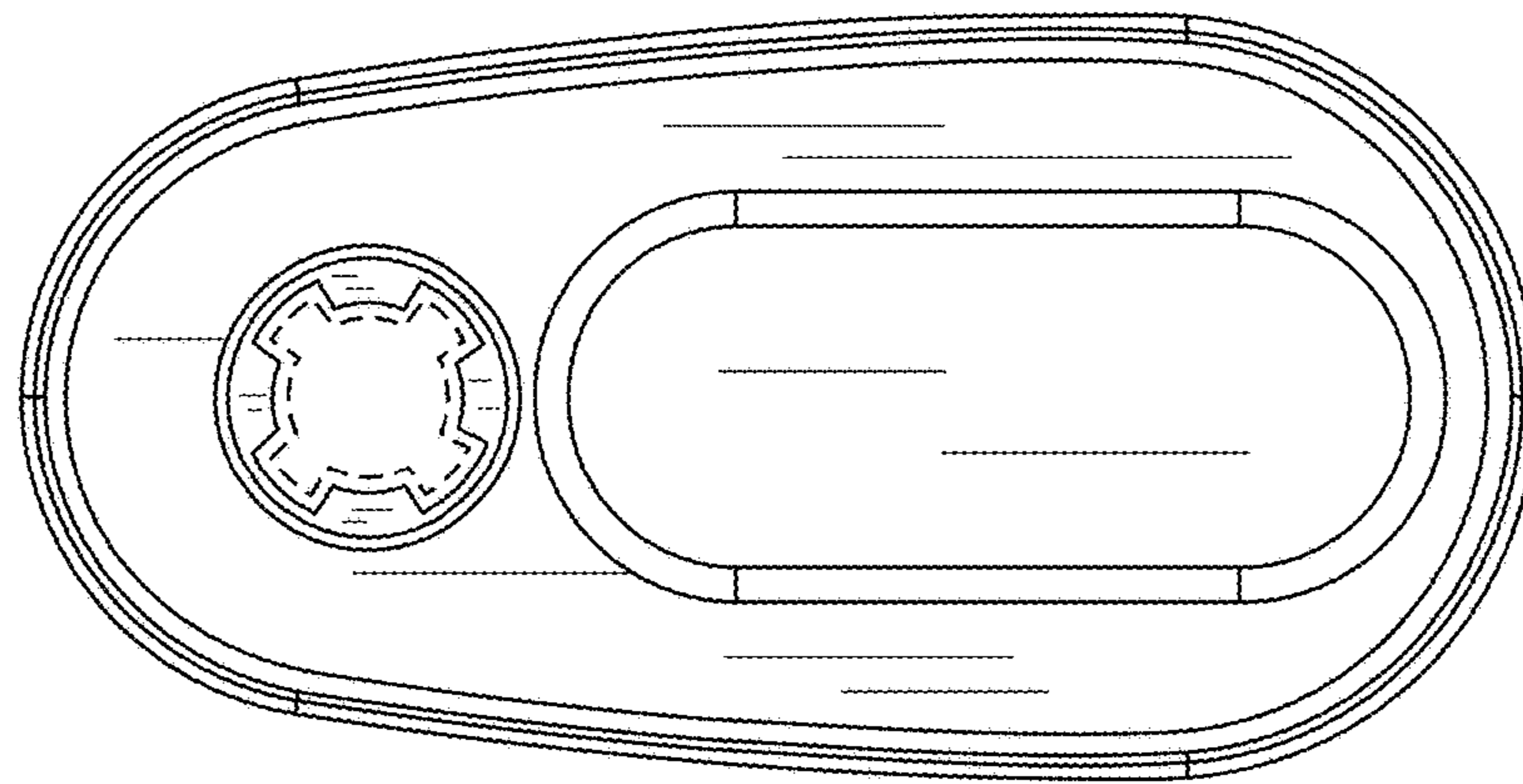


FIG. 15

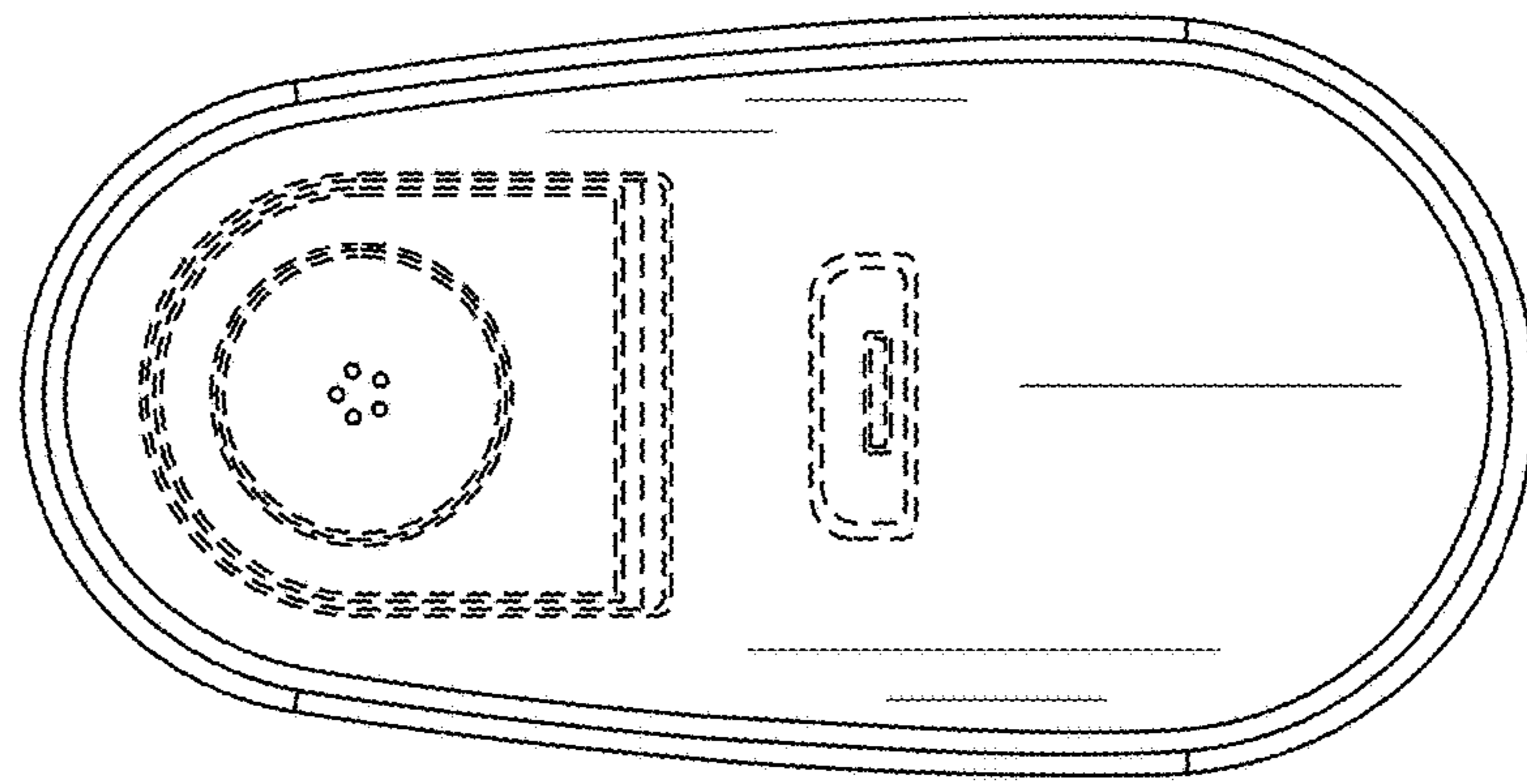


FIG. 16