



US00D843050S

(12) **United States Design Patent**  
**Yamac**

(10) **Patent No.:** **US D843,050 S**

(45) **Date of Patent:** **\*\* Mar. 12, 2019**

(54) **HANGING LIGHT FIXTURE**

(71) Applicant: **MOOOI B.V.**, Breda (NL)

(72) Inventor: **Umut Yamac**, London (GB)

(73) Assignee: **MOOOI B.V.**, Breda (NL)

(\*\*) Term: **15 Years**

(21) Appl. No.: **29/580,709**

(22) Filed: **Oct. 12, 2016**

(51) **LOC (11) Cl.** ..... **26-99**

(52) **U.S. Cl.**  
USPC ..... **D26/125**

(58) **Field of Classification Search**

USPC .... D26/1, 24, 73, 84, 85, 94, 102, 107, 125,  
D26/129; D11/131, 141, 142

CPC .... F21S 6/00; F21S 6/002; F21S 6/004; F21S  
6/008; F21S 8/08; F21V 5/00; F21V  
17/007; F21W 2121/00; F21W 2131/30

See application file for complete search history.

(56) **References Cited**

**U.S. PATENT DOCUMENTS**

D137,173 S \* 2/1944 Buffenbarger ..... D11/137  
3,039,219 A \* 6/1962 Umstead ..... B44C 3/00  
428/16

D239,460 S \* 4/1976 Schucht ..... D11/155  
D293,723 S \* 1/1988 Buttner ..... D26/129  
D470,964 S \* 2/2003 Eiffert ..... D26/67  
D595,009 S \* 6/2009 Osgerby ..... D26/107  
8,002,438 B2 \* 8/2011 Ko ..... F21V 17/107  
362/249.02  
D709,637 S \* 7/2014 Terzani ..... D26/83  
D778,486 S \* 2/2017 Castelli ..... D26/102  
D796,723 S \* 9/2017 Sonneman ..... D26/120

\* cited by examiner

*Primary Examiner* — Brian N. Vinson

(74) *Attorney, Agent, or Firm* — Terry M. Sanks, Esq.;  
Beusse Wolter Sanks & Maire, PLLC

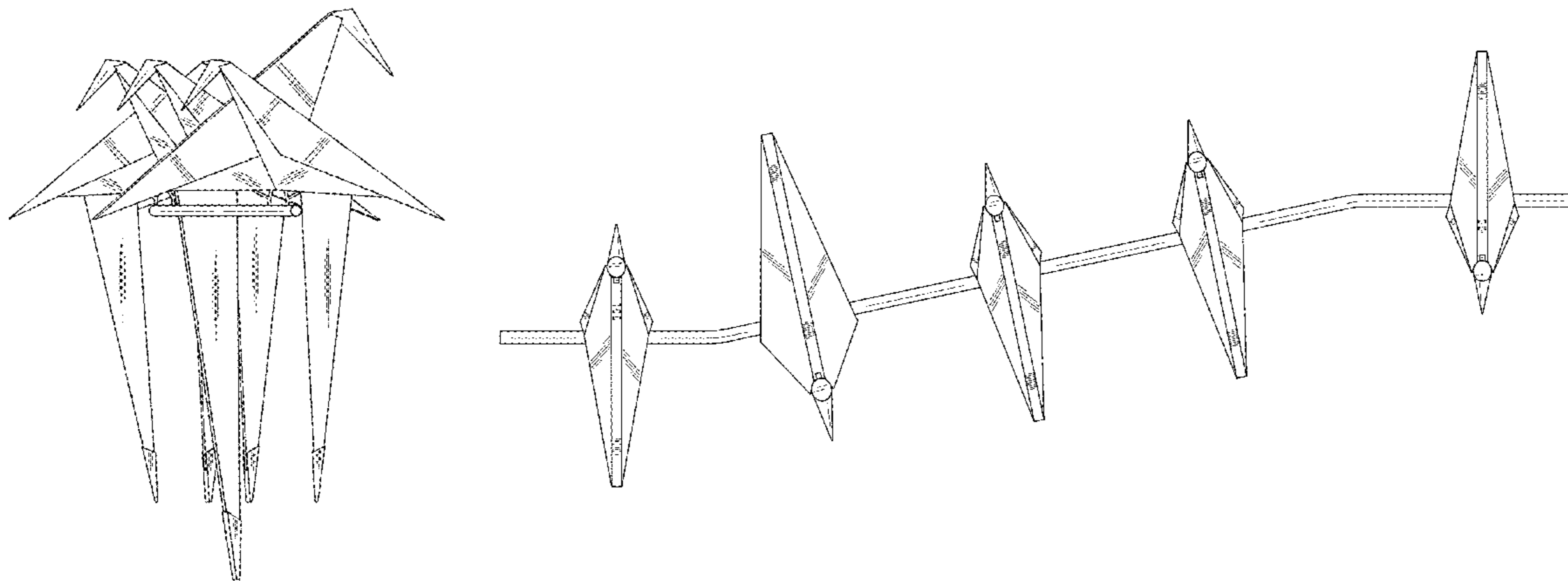
(57) **CLAIM**

The ornamental design for a hanging light fixture, as shown and described.

**DESCRIPTION**

FIG. 1 is a front elevational view of a hanging light fixture showing my new design;  
FIG. 2 is a rear elevational view thereof;  
FIG. 3 is a right side elevational view thereof;  
FIG. 4 is a left side elevational view thereof;  
FIG. 5 is a top plan view thereof, and,  
FIG. 6 is a bottom plan view thereof.

**1 Claim, 6 Drawing Sheets**



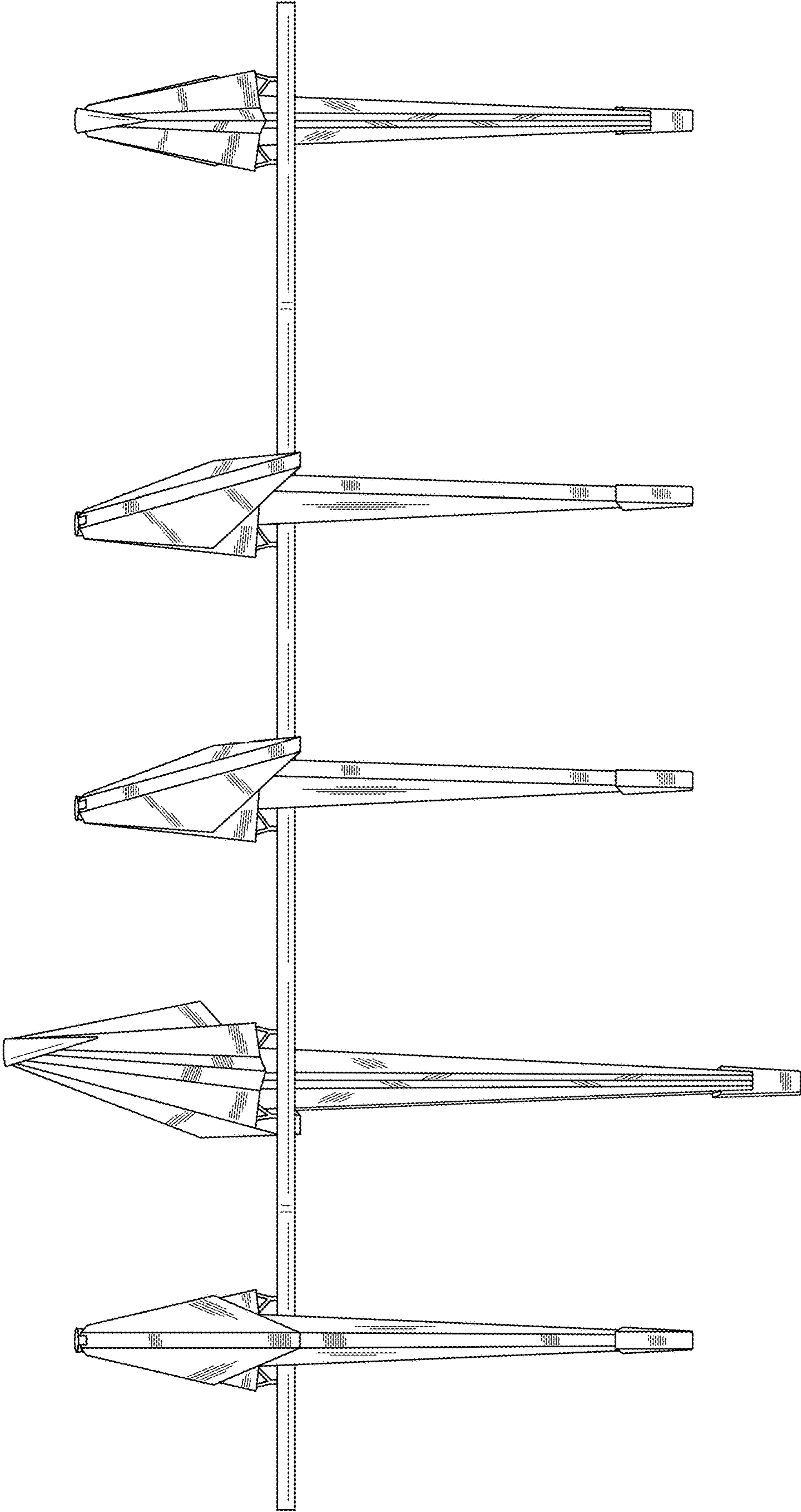


FIG. 1

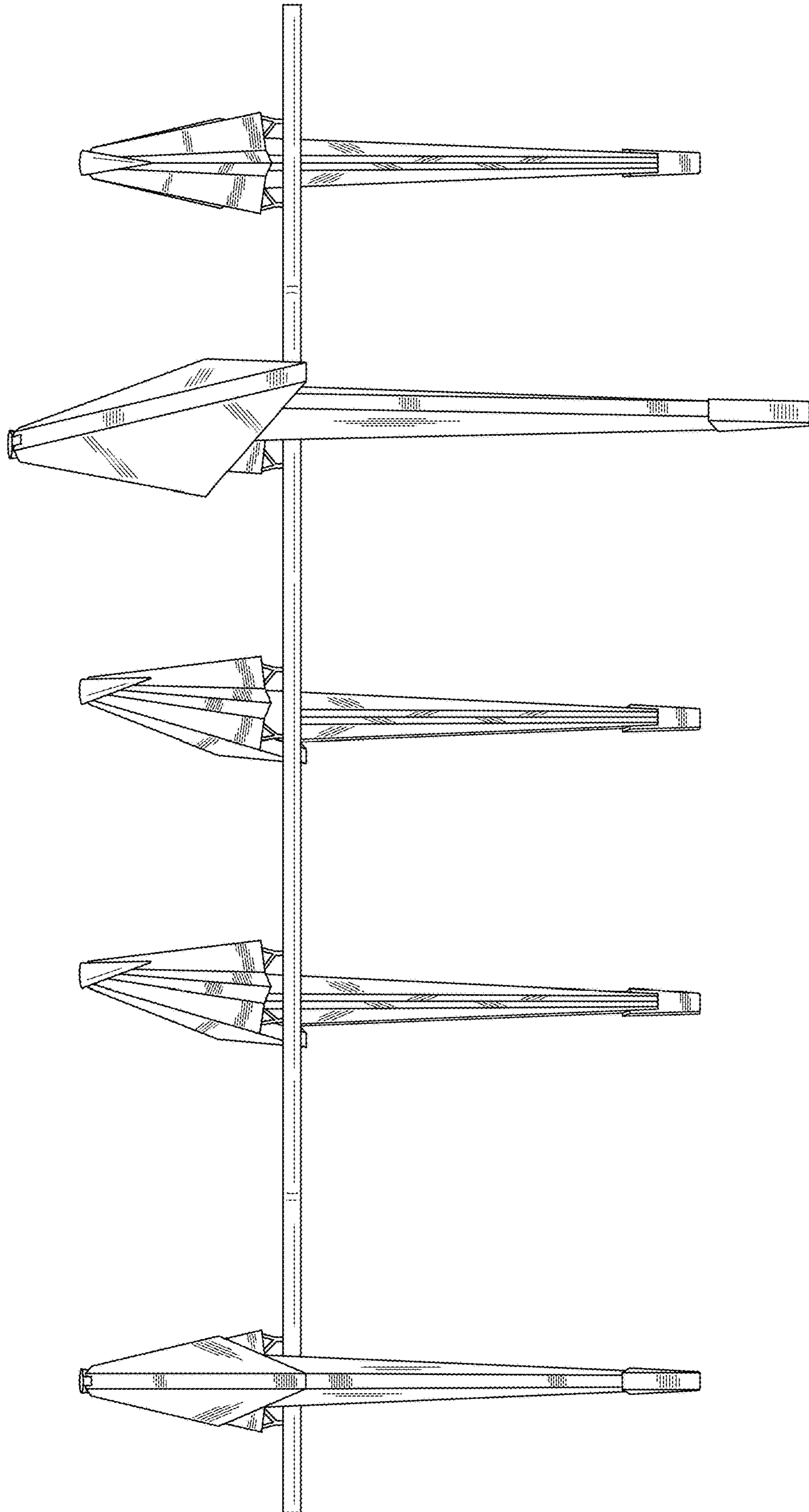


FIG. 2

FIG. 3

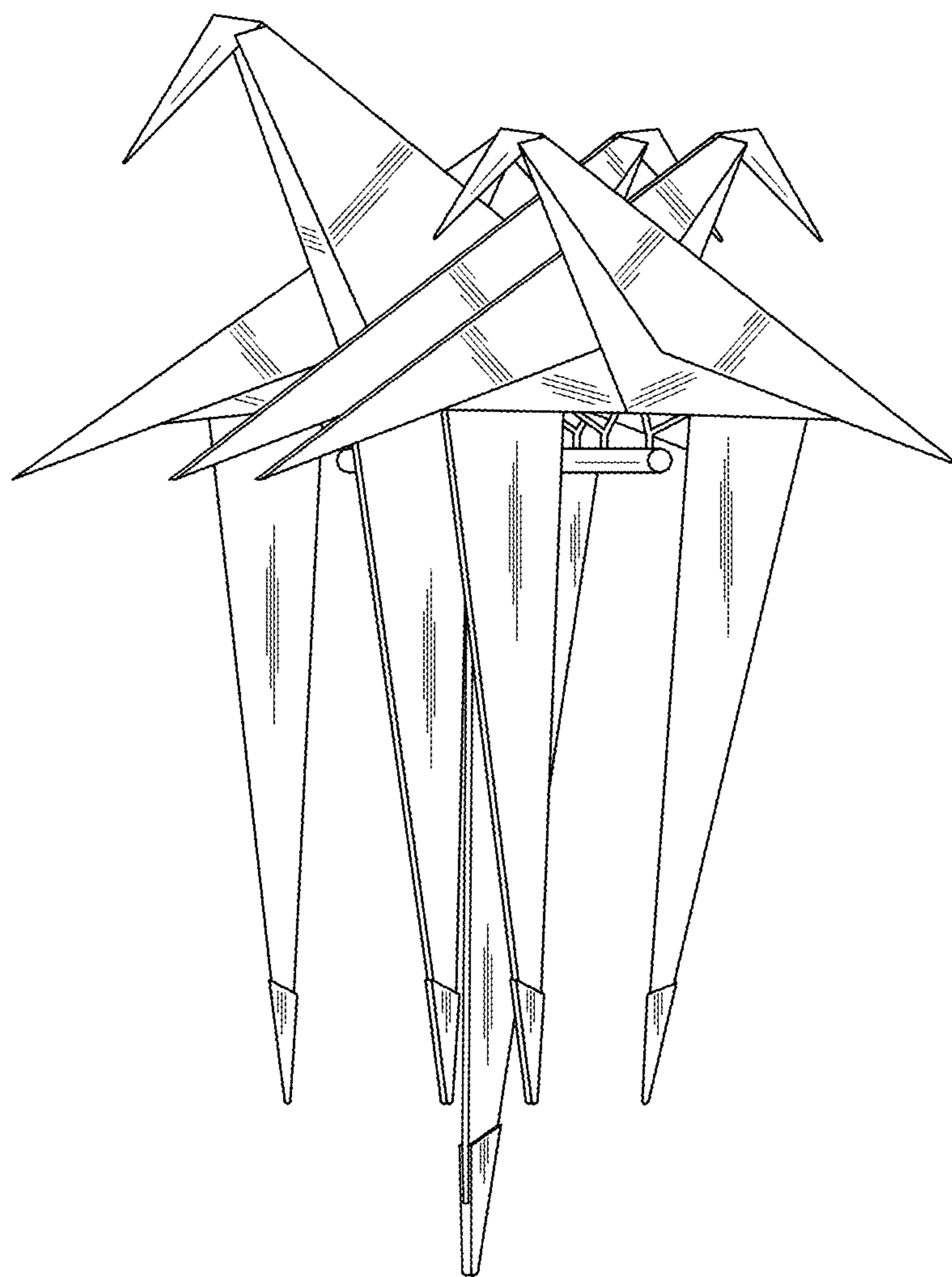
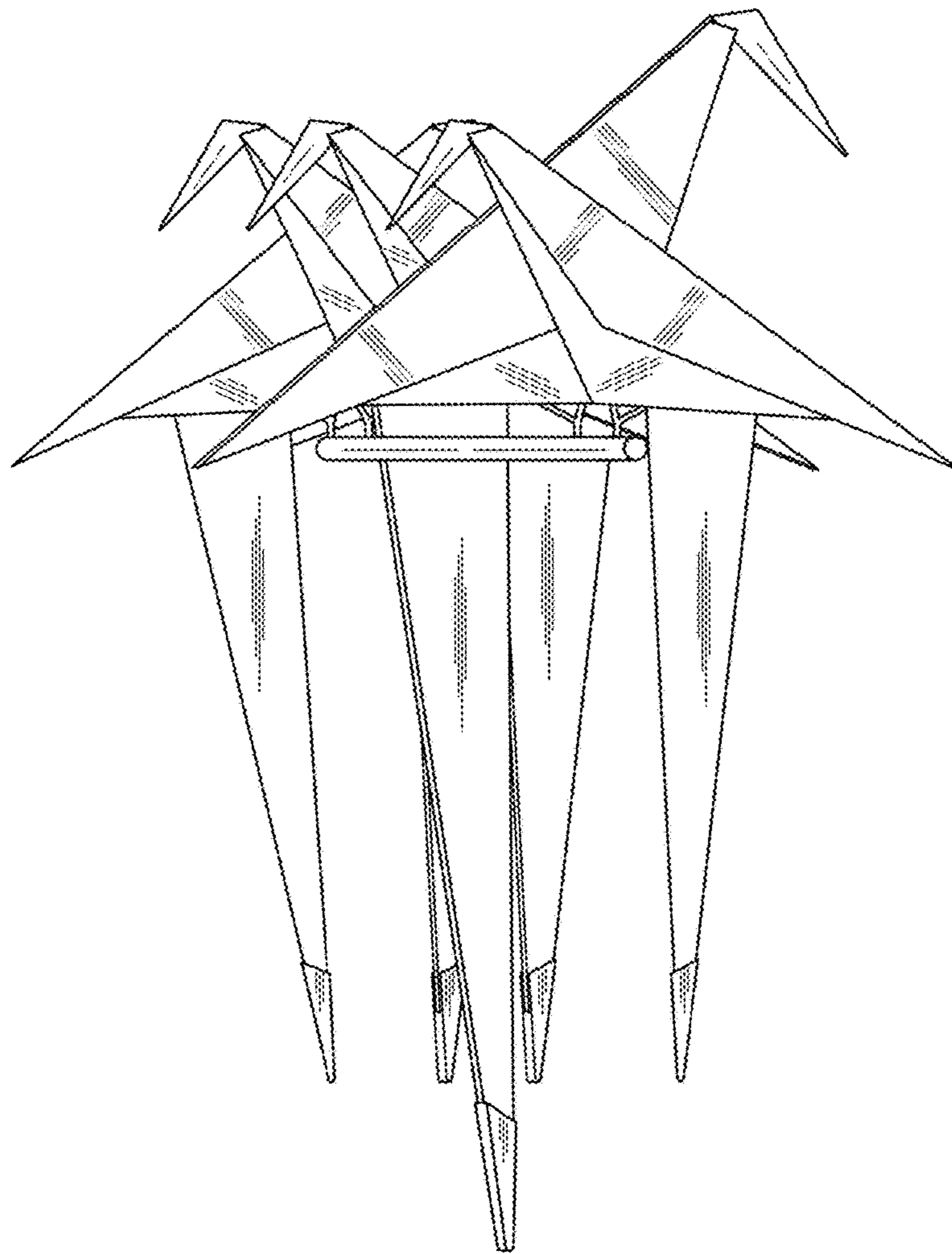


FIG. 4



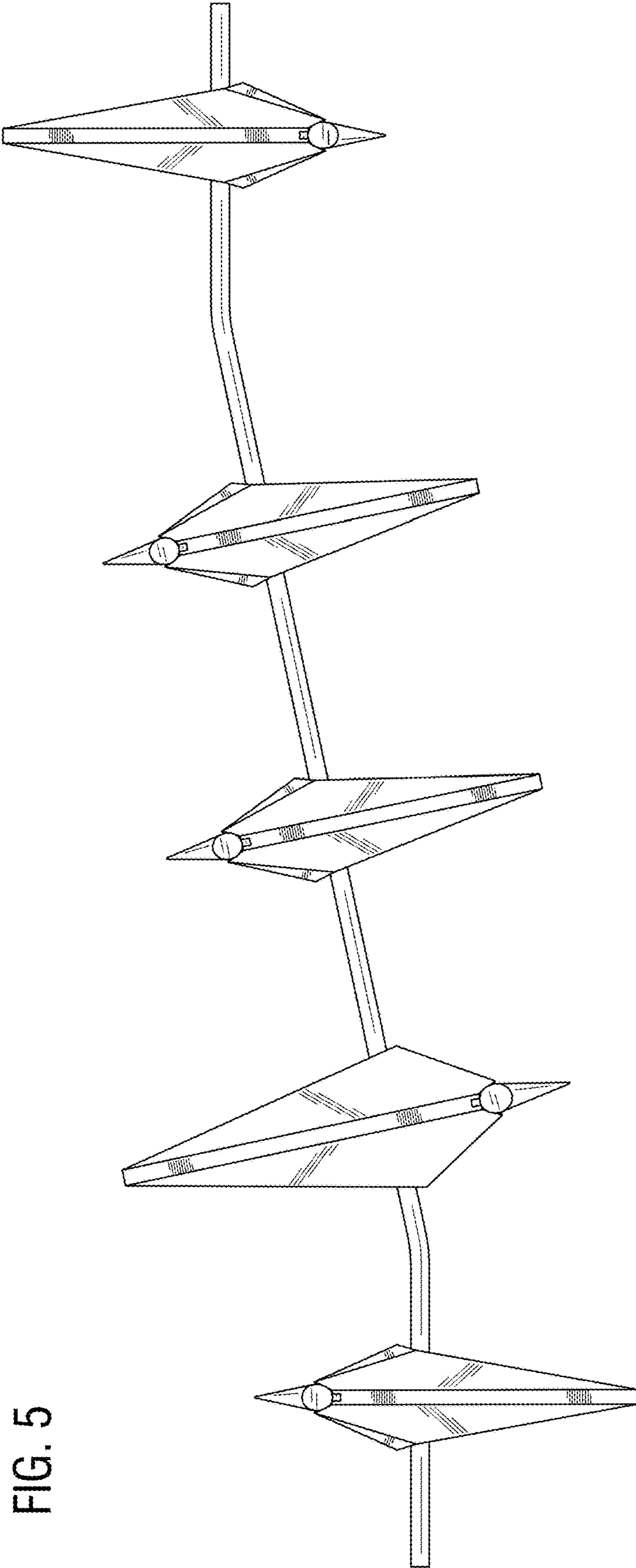


FIG. 5

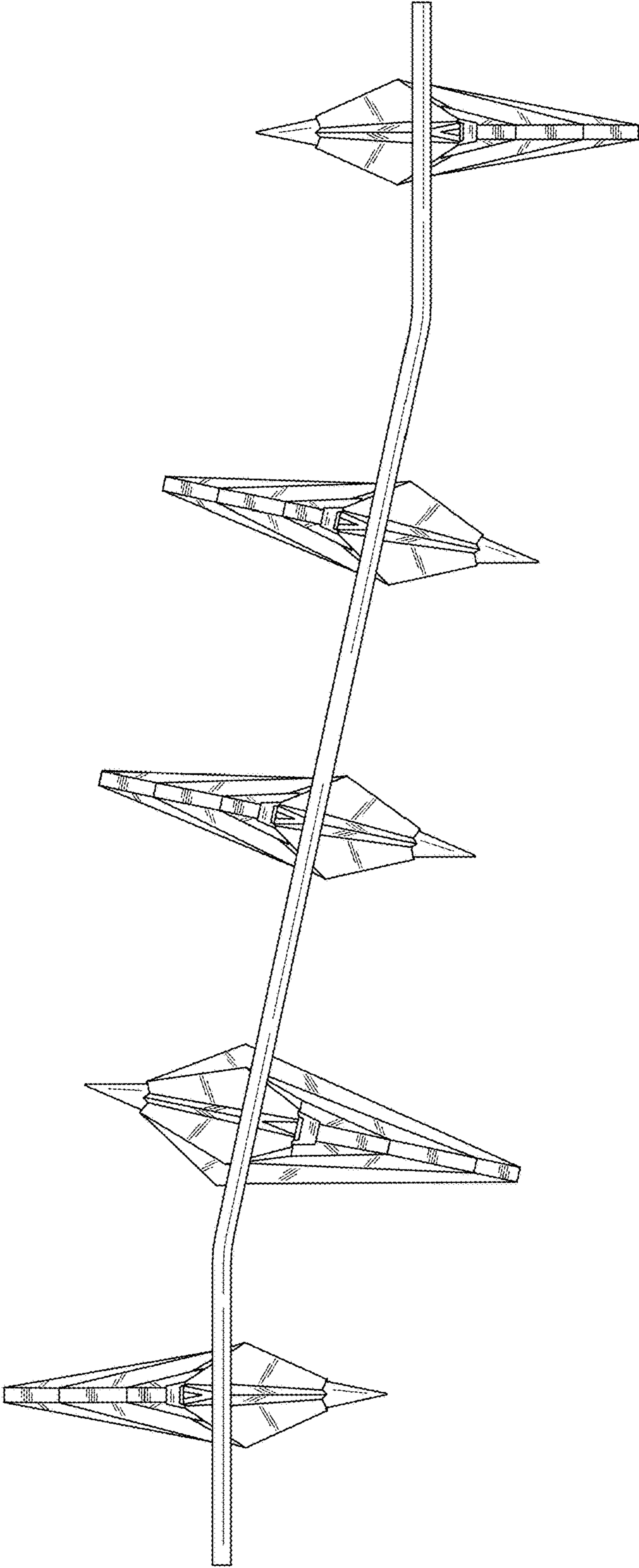


FIG. 6