

US00D843048S

(12) **United States Design Patent**  
**Xiang et al.**

(10) **Patent No.:** **US D843,048 S**

(45) **Date of Patent:** **\*\* \*Mar. 12, 2019**

(54) **WALLPACK LUMINAIRE**

(71) Applicant: **MaxLite, Inc.**, West Caldwell, NJ (US)

(72) Inventors: **Jun Xiang**, Parsippany, NJ (US);  
**Aymen Chami**, Hackettstown, NJ (US);  
**Arthur R. Phidd**, Caldwell, NJ (US);  
**Jae-Young Choi**, West Caldwell, NJ (US)

(73) Assignee: **Maxlite, Inc.**, West Caldwell, NJ (US)

(\*) Notice: This patent is subject to a terminal disclaimer.

(\*\*) Term: **15 Years**

(21) Appl. No.: **29/603,237**

(22) Filed: **May 8, 2017**

(51) **LOC (11) Cl.** ..... **26-99**

(52) **U.S. Cl.**  
USPC ..... **D26/113**

(58) **Field of Classification Search**  
USPC ..... D26/1, 24, 61, 63, 65, 72, 85, 87, 92,  
D26/113, 118  
CPC ..... F21V 21/14; F21V 15/01; F21V 14/02;  
F21V 21/30; F21V 21/00; F21V 14/00;  
F21S 8/00; F21S 8/003; F21S 8/043;  
F21Y 2105/001  
See application file for complete search history.

(56) **References Cited**

**U.S. PATENT DOCUMENTS**

D563,014 S \* 2/2008 Levine ..... D26/63  
D641,905 S \* 7/2011 Janssen ..... D26/63

D694,449 S \* 11/2013 Walker ..... D26/63  
D695,946 S \* 12/2013 Duquette ..... D26/63  
D751,745 S \* 3/2016 Wang ..... D26/63  
D762,903 S \* 8/2016 Tsai ..... D26/63  
D770,074 S \* 10/2016 Romano ..... D26/63  
D796,719 S \* 9/2017 Zhu ..... D26/63  
D803,448 S \* 11/2017 Dupras ..... D26/63  
D809,693 S \* 2/2018 Wan ..... D26/63  
D812,796 S \* 3/2018 Ruberg ..... D26/63

\* cited by examiner

*Primary Examiner* — Brian N. Vinson

(74) *Attorney, Agent, or Firm* — Budzyn IP Law, LLC

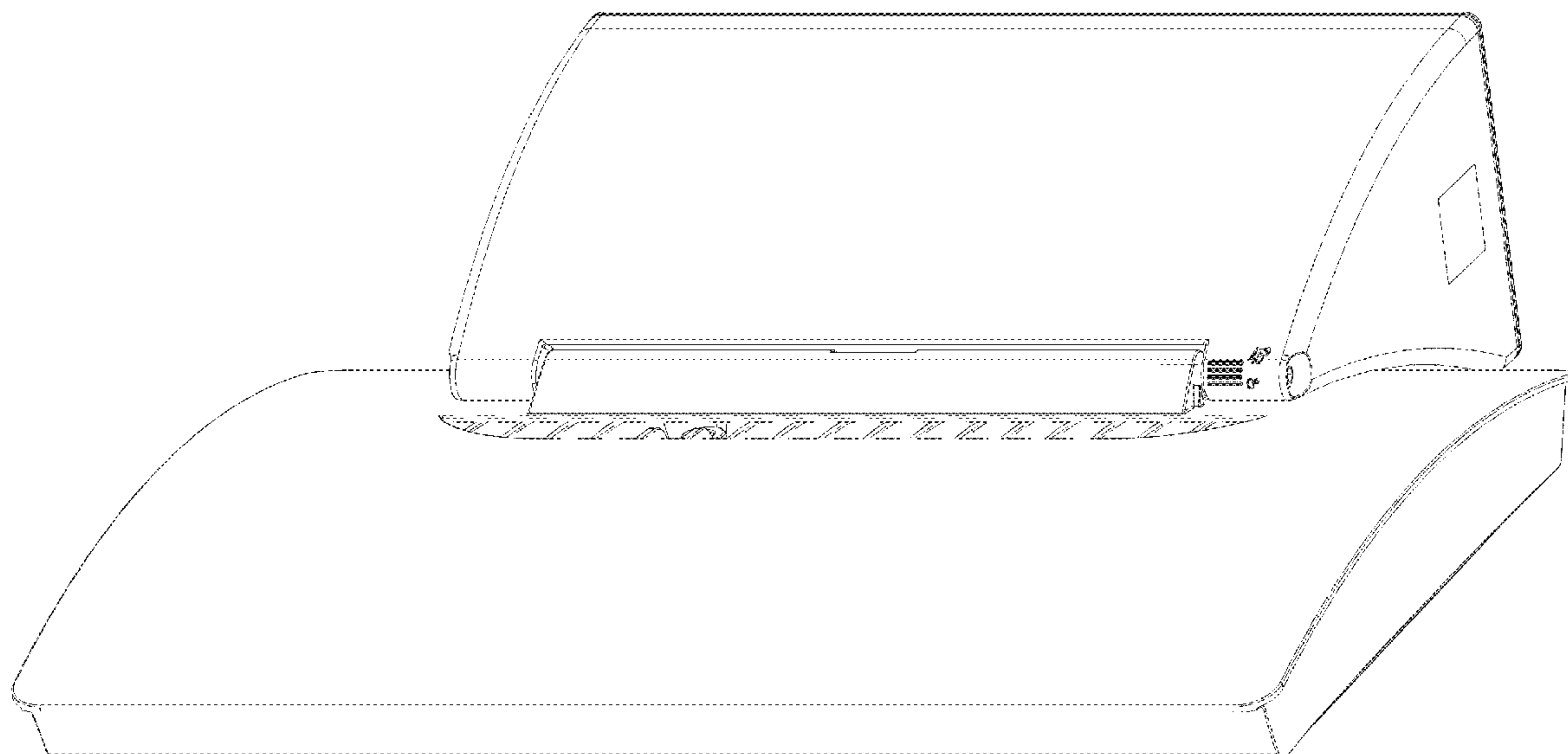
(57) **CLAIM**

The ornamental design for a wallpack luminaire, as shown and described.

**DESCRIPTION**

FIG. 1 is a front, upward perspective view of a wallpack luminaire;  
FIG. 2 is a front, downward perspective view thereof;  
FIG. 3 is a left side elevational view thereof;  
FIG. 4 is a right side elevational view thereof, the left side elevational view being identical thereto;  
FIG. 5 is a rear elevational view thereof;  
FIG. 6 is a front elevational view thereof;  
FIG. 7 is a bottom plan view thereof; and,  
FIG. 8 is a top plan view thereof.  
The broken lines represent portions of the luminaire which form no part of the claimed design.

**1 Claim, 8 Drawing Sheets**



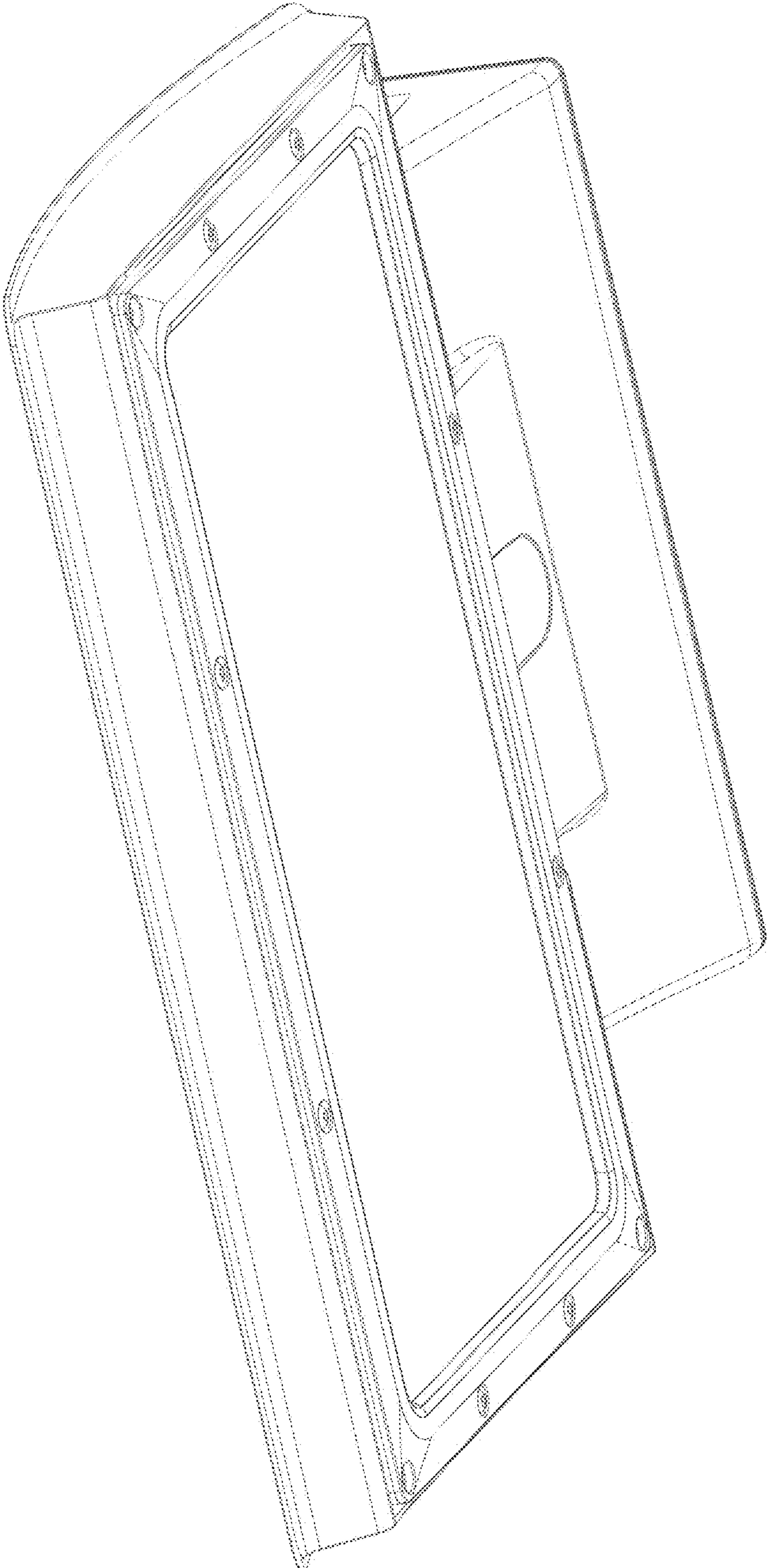


FIGURE 1

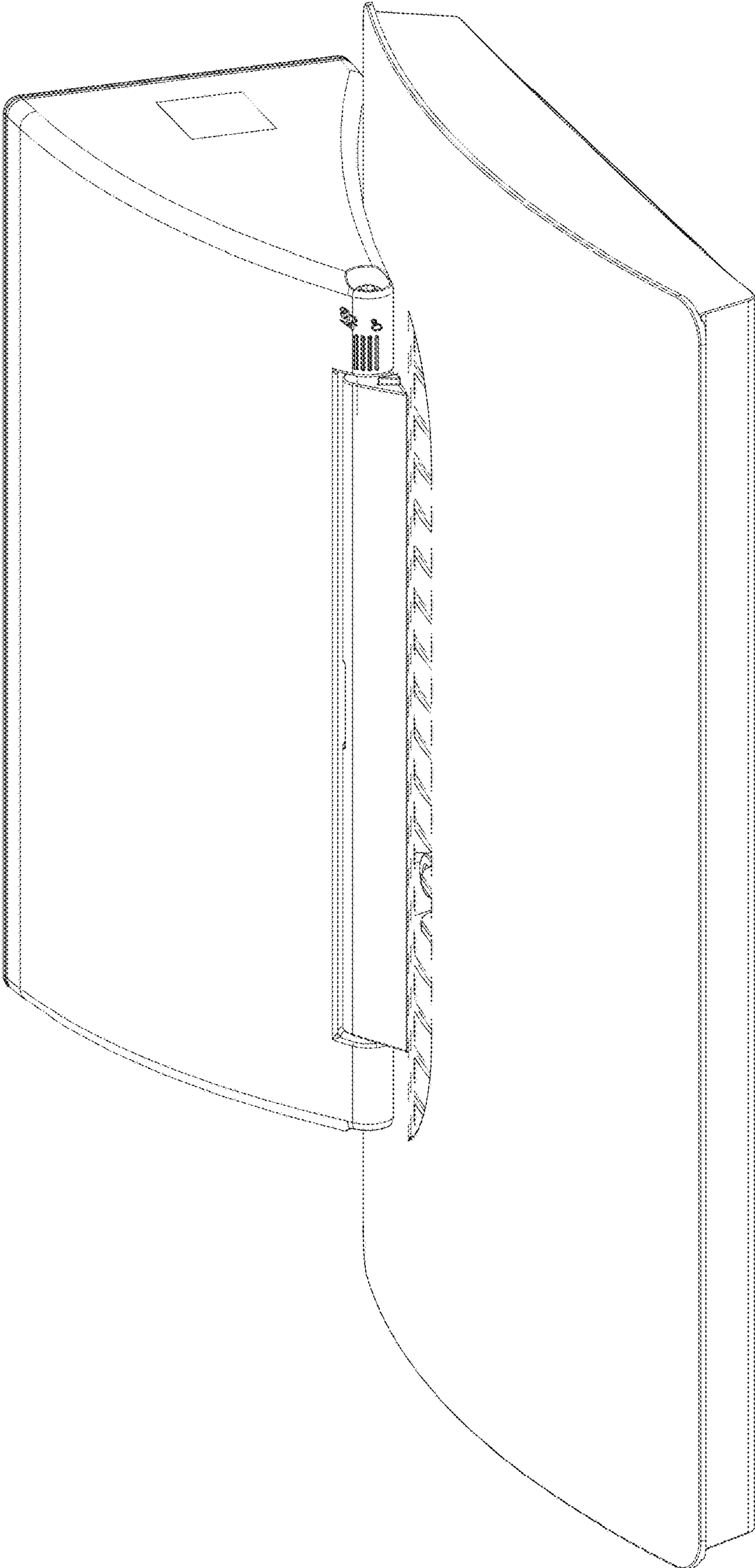


FIGURE 2

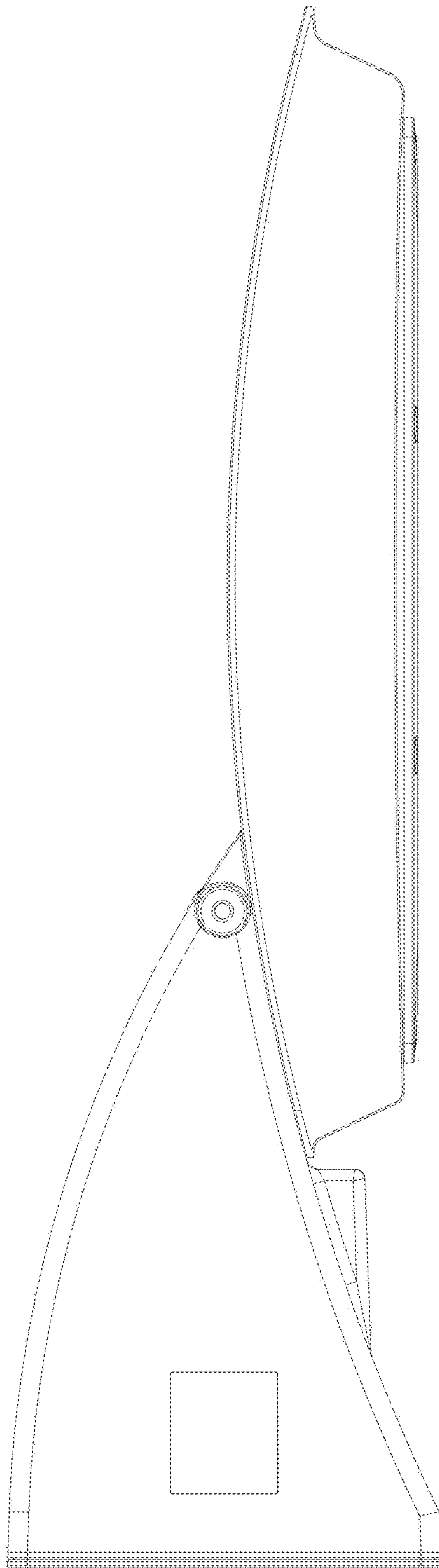


FIGURE 3



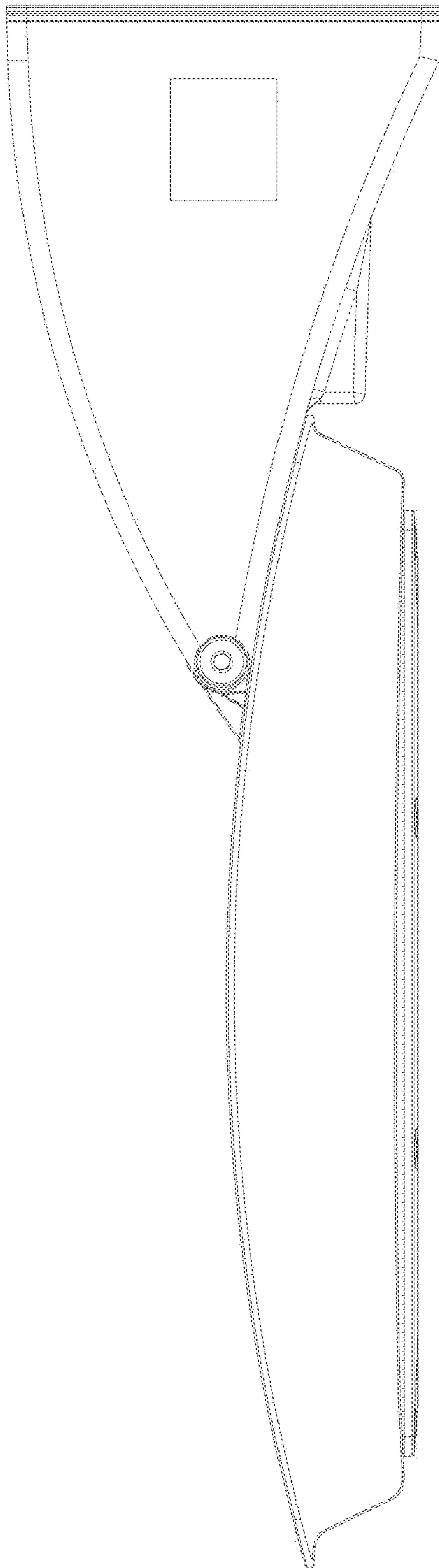


FIGURE 4

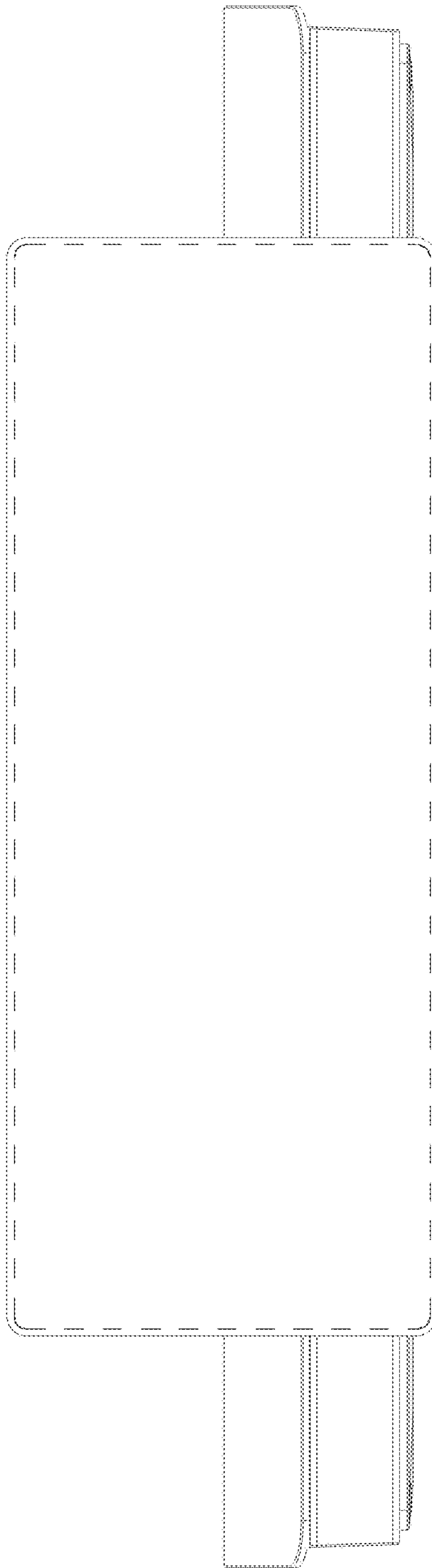


FIGURE 5

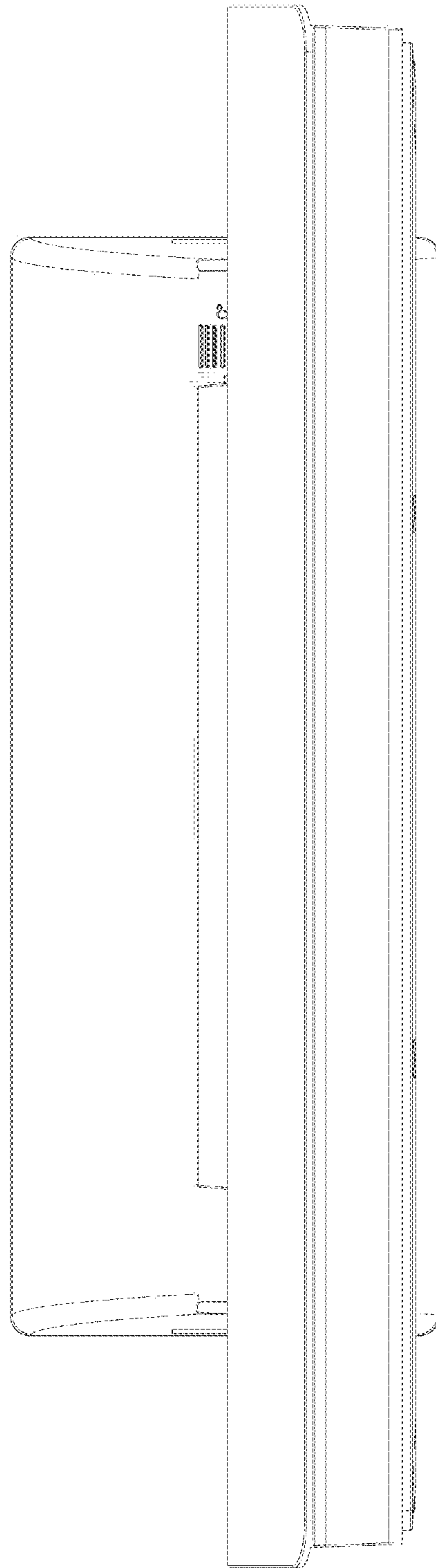


FIGURE 6

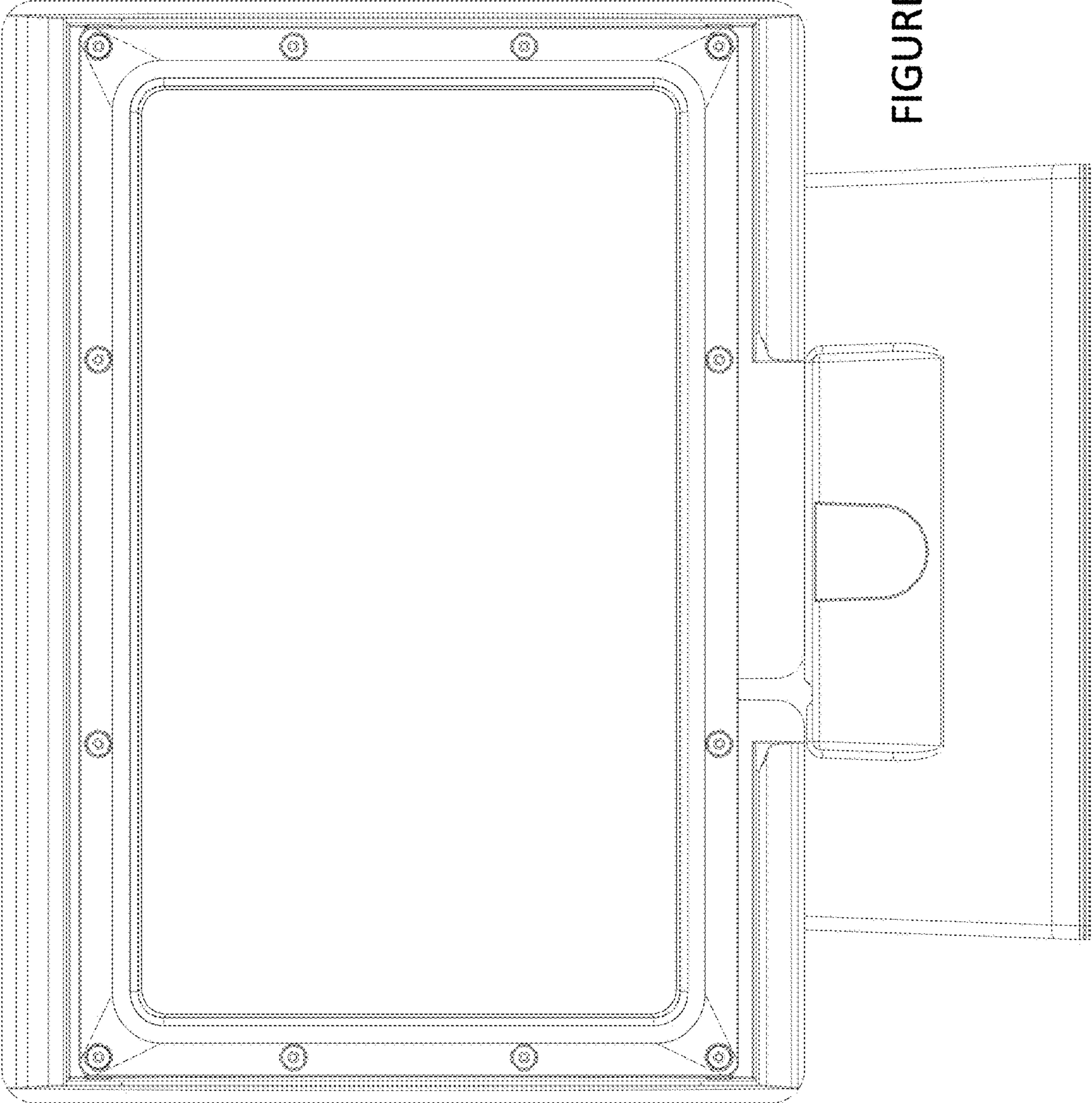


FIGURE 7



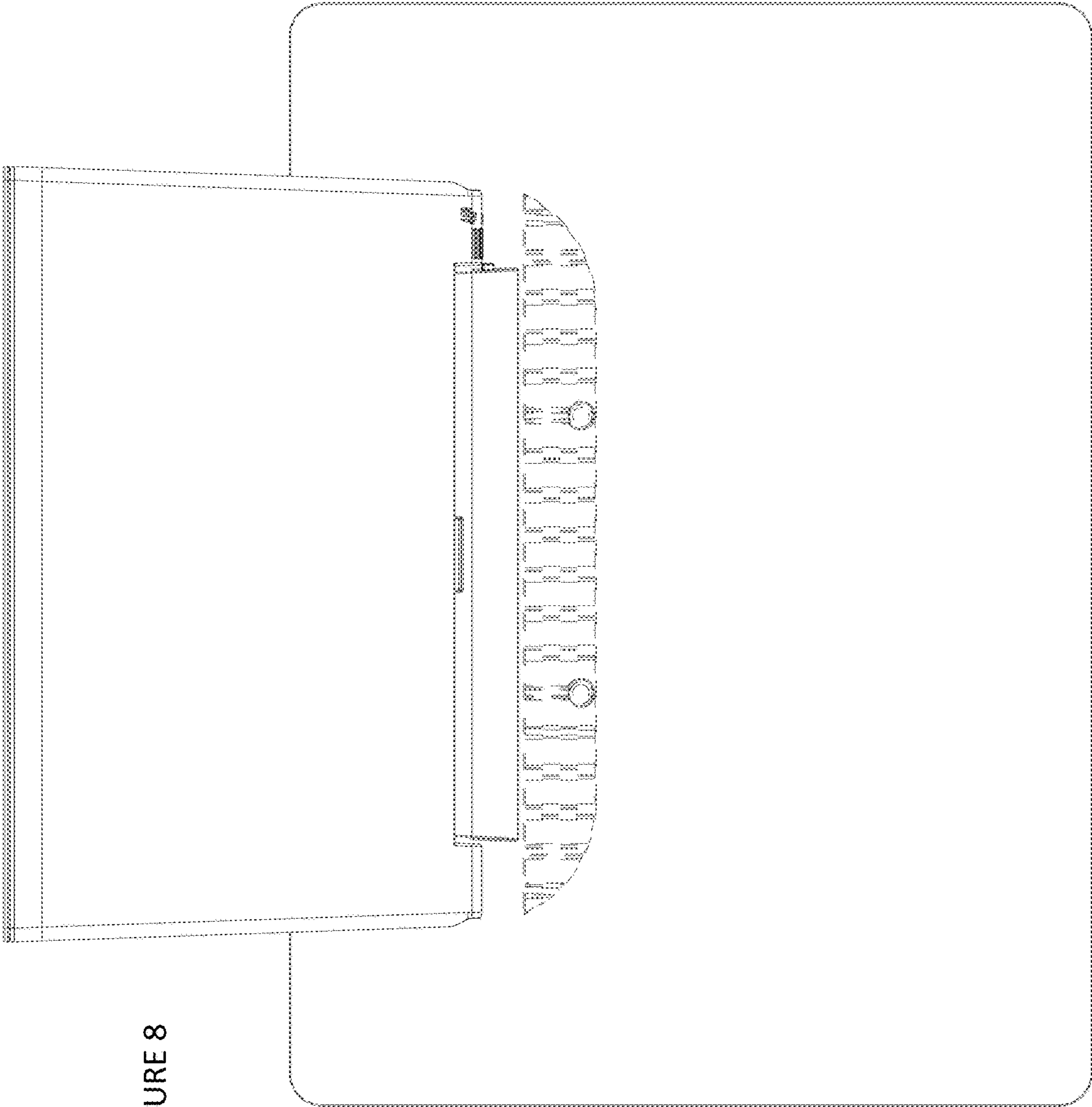


FIGURE 8