



US00D843046S

(12) **United States Design Patent**
Watt et al.

(10) **Patent No.:** **US D843,046 S**

(45) **Date of Patent:** **** *Mar. 12, 2019**

(54) **LIGHT FIXTURE**

(71) Applicant: **Focal Point, LLC**, Chicago, IL (US)

(72) Inventors: **Graeme Robert Alexander Watt**,
Bowdon (GB); **Ken Czech**, Naperville,
IL (US); **Wes Cox**, Chicago, IL (US);
Michael David SanFacon, Naperville,
IL (US); **Krutin S. Desai**, Chicago, IL
(US)

(73) Assignee: **Focal Point, LLC**, Chicago, IL (US)

(*) Notice: This patent is subject to a terminal dis-
claimer.

(**) Term: **15 Years**

(21) Appl. No.: **29/594,466**

(22) Filed: **Feb. 17, 2017**

(51) **LOC (11) Cl.** **26-04**

(52) **U.S. Cl.**
USPC **D26/76**

(58) **Field of Classification Search**
USPC ... D26/3, 37, 67, 71, 72, 75, 78, 79, 80, 81,
D26/82, 83, 85, 86, 88, 90, 113, 118
CPC F21S 8/06; F21S 8/031; F21S 4/00; F21Y
2101/00
See application file for complete search history.

(56) **References Cited**

U.S. PATENT DOCUMENTS

D292,619 S * 11/1987 Chen D26/141
D595,445 S * 6/2009 Gunter D26/76

D621,989 S * 8/2010 Prover D26/76
D665,123 S * 8/2012 Douglas D26/138
D731,700 S * 6/2015 Santoro D26/118
D740,479 S * 10/2015 Beno D26/118
D747,539 S * 1/2016 Santoro D26/120
D773,712 S * 12/2016 Cavaliere D26/75
D779,703 S * 2/2017 Stanley D26/78
D793,617 S * 8/2017 Trzcielinski D26/118
D803,455 S * 11/2017 Blessitt D26/76
2017/0077368 A1 * 3/2017 Fujitani H01L 33/62
2017/0167665 A1 * 6/2017 Germain F21V 17/164

* cited by examiner

Primary Examiner — Mark A Goodwin

Assistant Examiner — Benjamin M Weeks

(74) *Attorney, Agent, or Firm* — Banner & Witcoff, Ltd.

(57) **CLAIM**

The ornamental design for a light fixture, as shown and
described.

DESCRIPTION

FIG. 1 is a top perspective view of a light fixture showing
our new design;

FIG. 2 is a bottom perspective view thereof;

FIG. 3 is a side view thereof wherein the alternate side view
is a mirror image of FIG. 3;

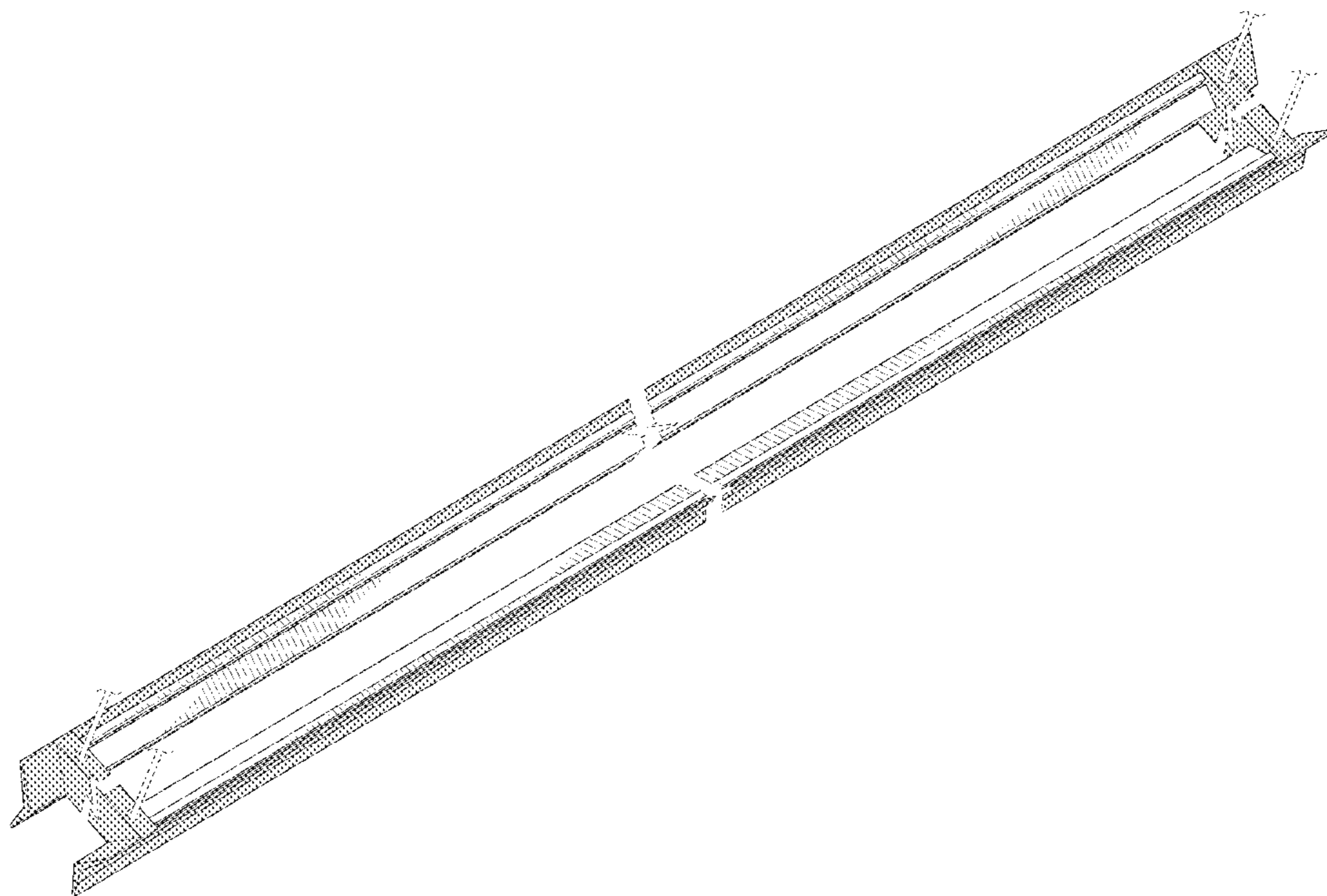
FIG. 4 is a front view thereof wherein the rear view is a
mirror image of FIG. 4

FIG. 5 is a top view thereof; and,

FIG. 6 is a bottom view thereof.

The broken lines represent portions of the light fixture that
form no part of the claimed design. Portions of the light
fixture are shown broken away to indicate that they have no
specified length other than the one shown.

1 Claim, 4 Drawing Sheets



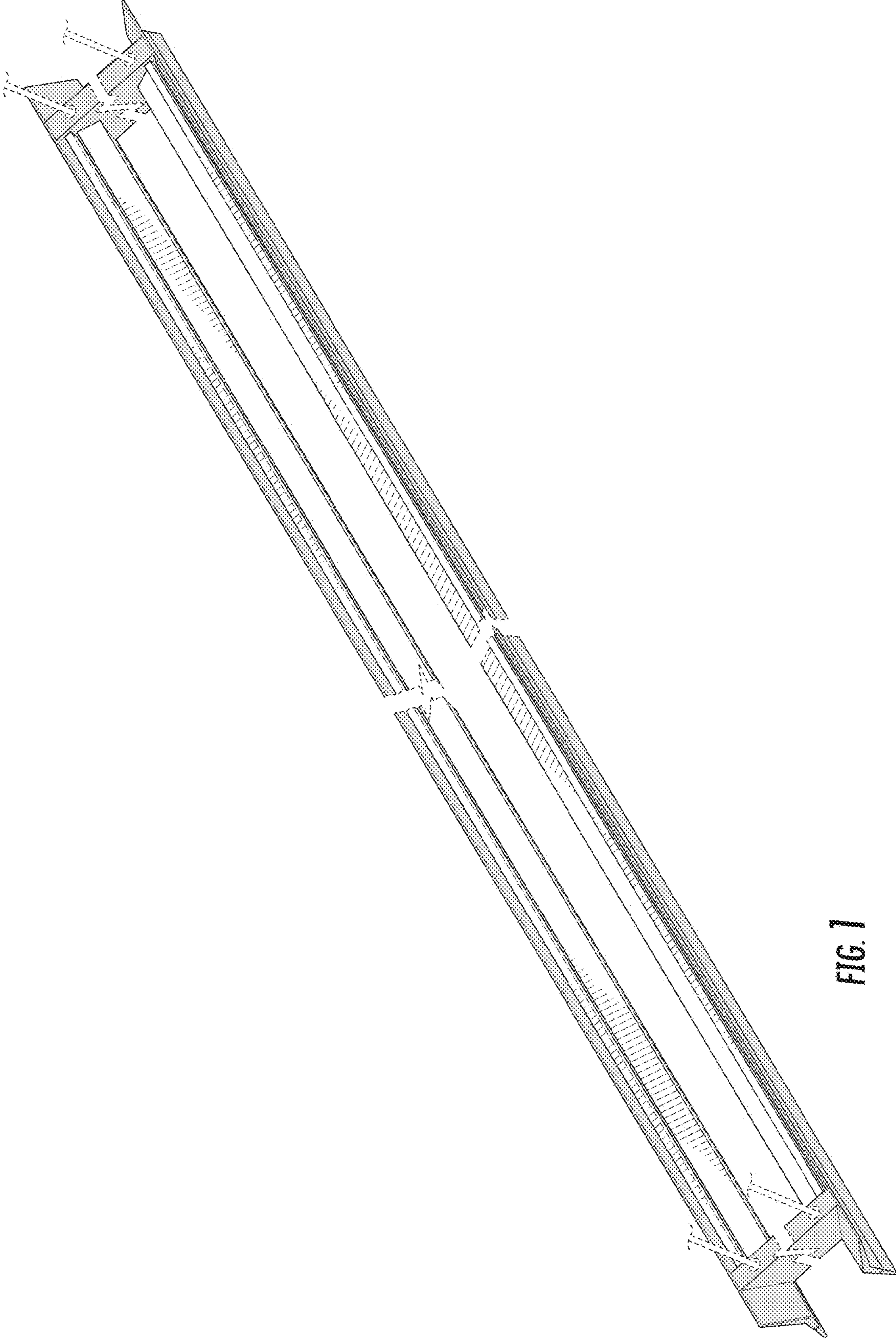


FIG. 1

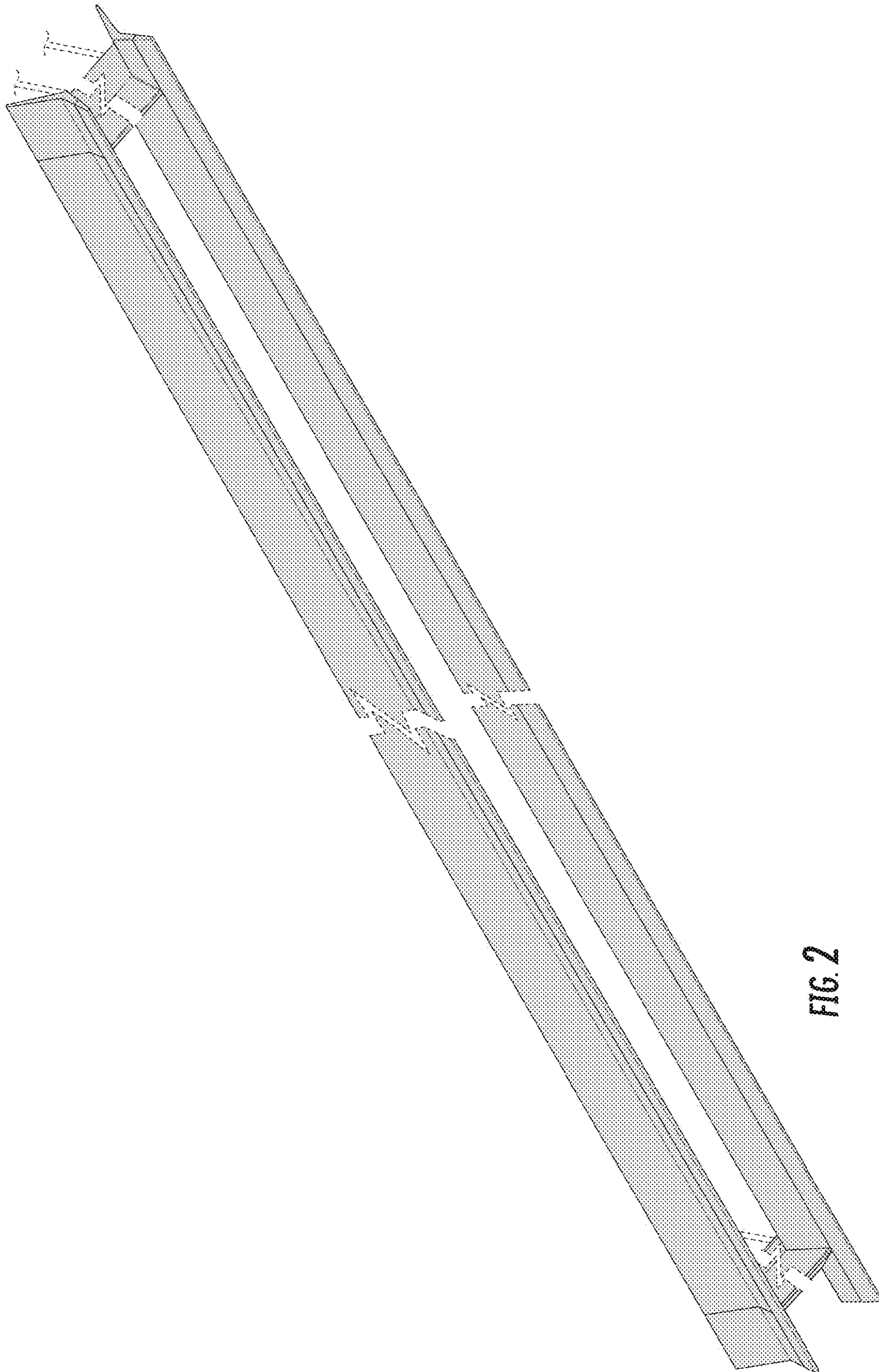


FIG. 2

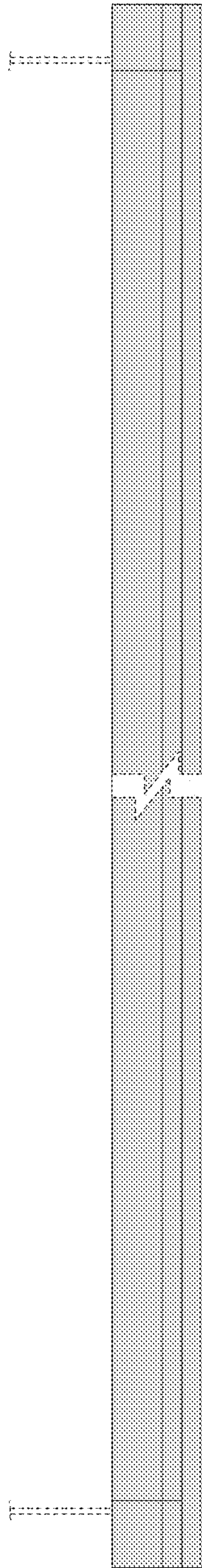


FIG. 3

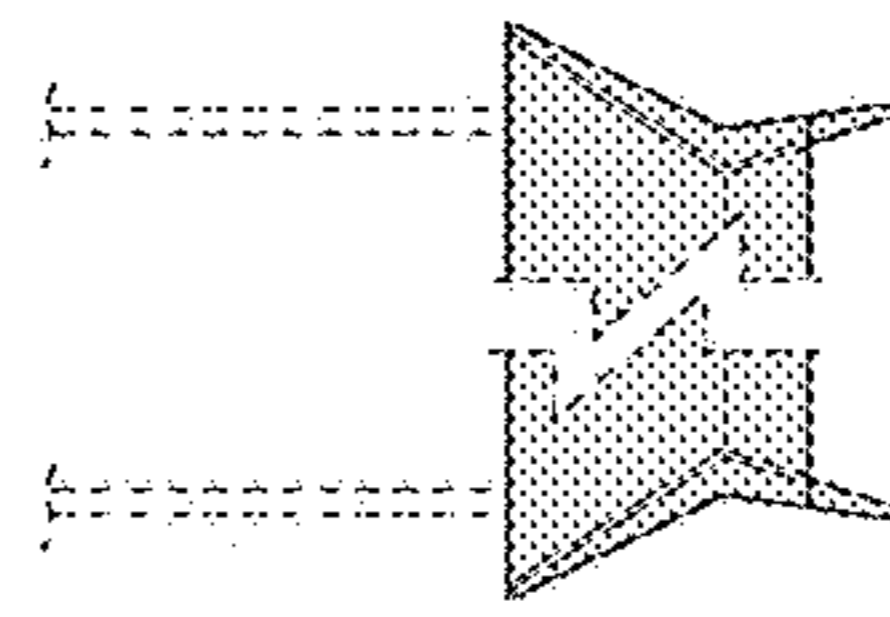


FIG. 4

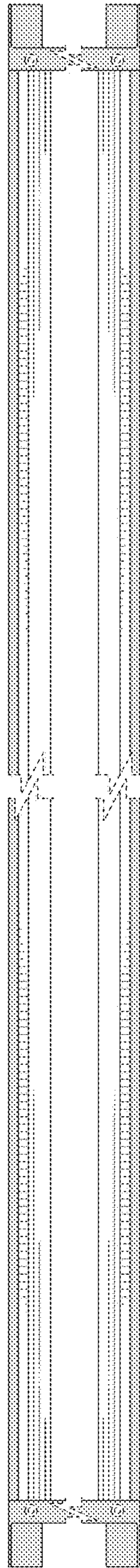


FIG. 5

4/4

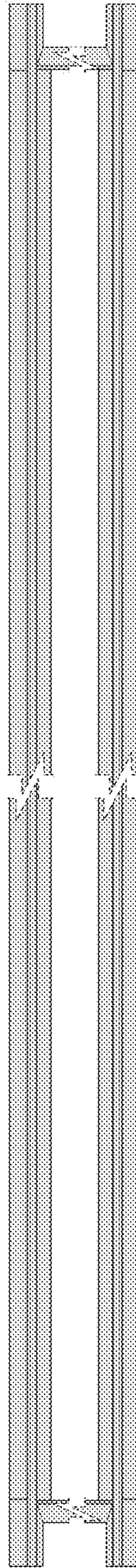


FIG. 6