



US00D843043S

(12) **United States Design Patent**
Ni et al.

(10) **Patent No.:** **US D843,043 S**
(45) **Date of Patent:** **** Mar. 12, 2019**

(54) **PUBLIC LIGHTING FIXTURE**
(71) Applicant: **PHILIPS LIGHTING HOLDING B.V.**, Eindhoven (NL)
(72) Inventors: **Hai Lin Ni**, Jianyang (CN); **Allan Wang**, Shanghai (CN)
(73) Assignee: **PHILIPS LIGHTING HOLDING B.V.**, Eindhoven (NL)
(**) Term: **15 Years**
(21) Appl. No.: **35/502,641**
(22) Filed: **Feb. 10, 2017**
(80) **Hague Agreement Data**
Int. Filing Date: **Feb. 10, 2017**
Int. Reg. No.: **DM/095124**
Int. Reg. Date: **Feb. 10, 2017**
Int. Reg. Pub. Date: **Mar. 17, 2017**

(30) **Foreign Application Priority Data**
Aug. 12, 2016 (EM) 003339548-0003
(51) **LOC (11) Cl.** **26-05**
(52) **U.S. Cl.**
USPC **D26/71**
(58) **Field of Classification Search**
USPC D26/63, 67-72, 92
CPC F21S 8/08; F21S 8/085; F21S 8/086; F21S 8/088; F21W 2111/02; F21W 2131/103; F21W 2131/107; F21V 29/20; F21V 29/83; F21V 29/90
See application file for complete search history.

(56) **References Cited**
U.S. PATENT DOCUMENTS
D580,582 S * 11/2008 Fan D26/71
7,832,898 B2 * 11/2010 Li F21S 8/086
362/240

D634,875 S * 3/2011 Jiang D26/71
7,922,372 B2 * 4/2011 Li F21S 8/086
362/373
D646,420 S * 10/2011 Chen D26/71
D648,473 S * 11/2011 Lin D26/71
D660,494 S * 5/2012 Wang D26/71
D666,759 S * 9/2012 Lane D26/71
D672,492 S * 12/2012 Butler D26/71
D673,318 S * 12/2012 Lane D26/71
D673,720 S * 1/2013 Bailey D26/138
D674,527 S * 1/2013 Du D26/71
D674,950 S * 1/2013 Lueken D26/71
D676,178 S * 2/2013 Akinrele D26/71
D676,589 S * 2/2013 Elam D26/71
D683,061 S * 5/2013 Ham D26/71
D694,935 S * 12/2013 Zheng D26/71
D695,438 S * 12/2013 Liu D26/71
D695,938 S * 12/2013 Galvan D26/71
D717,988 S * 11/2014 Zhu D26/71
D747,527 S * 1/2016 Guercio D26/71
D765,298 S * 8/2016 Frisee D26/71

(Continued)

Primary Examiner — Darlington Ly

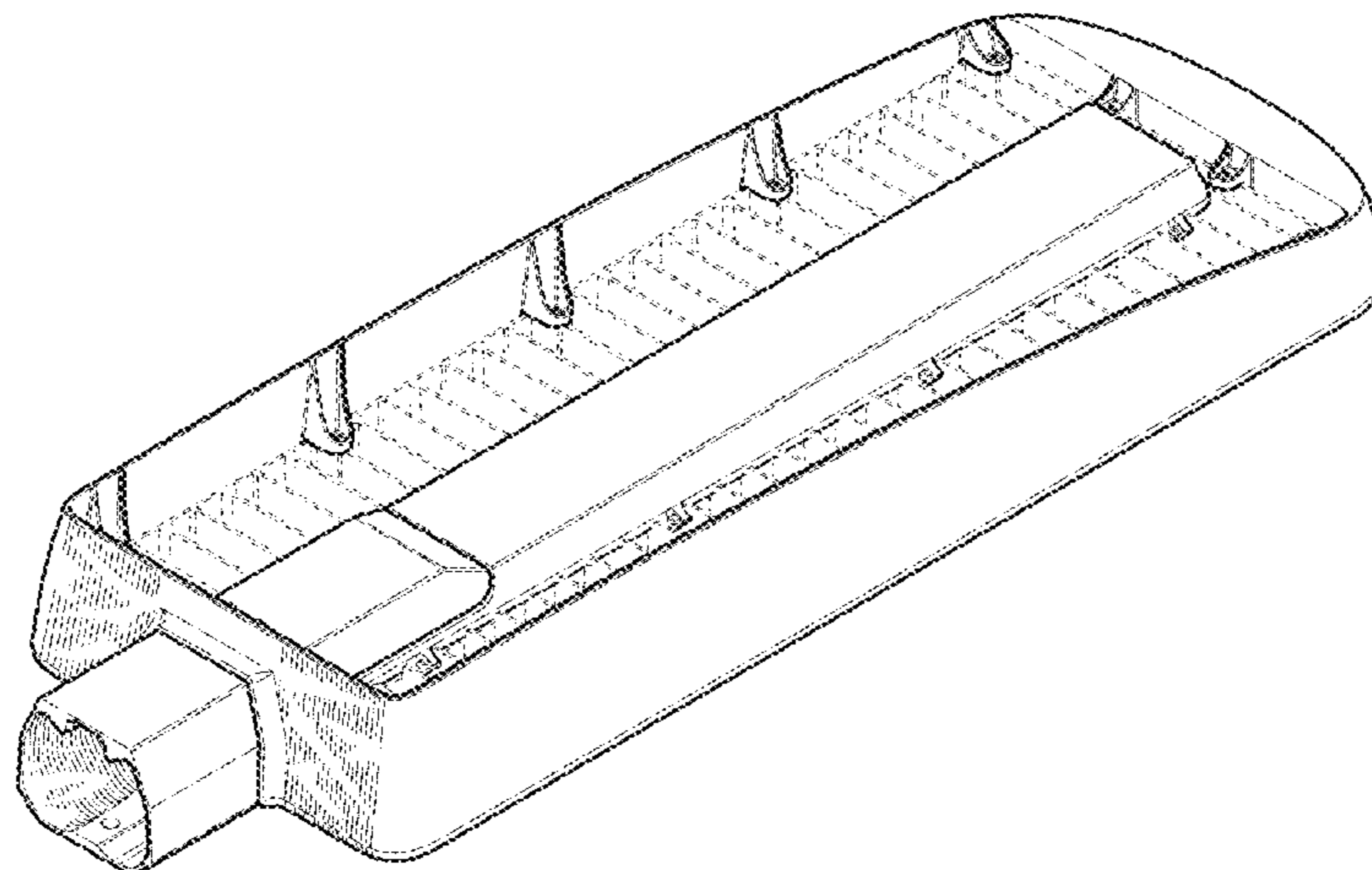
(57) **CLAIM**

The ornamental design for a public lighting fixture, as shown and described.

DESCRIPTION

1. Public lighting fixture
1.1 is a top perspective view of a public lighting fixture showing our new design;
1.2 is a front elevation view thereof;
1.3 is a rear elevation view thereof;
1.4 is a right side view thereof;
1.5 is a left side elevation view thereof;
1.6 is a top plan view thereof; and
1.7 is a bottom plan view thereof.
The broken lines in the reproductions illustrate portions of the public lighting fixture that form no part of the claimed design.

1 Claim, 4 Drawing Sheets



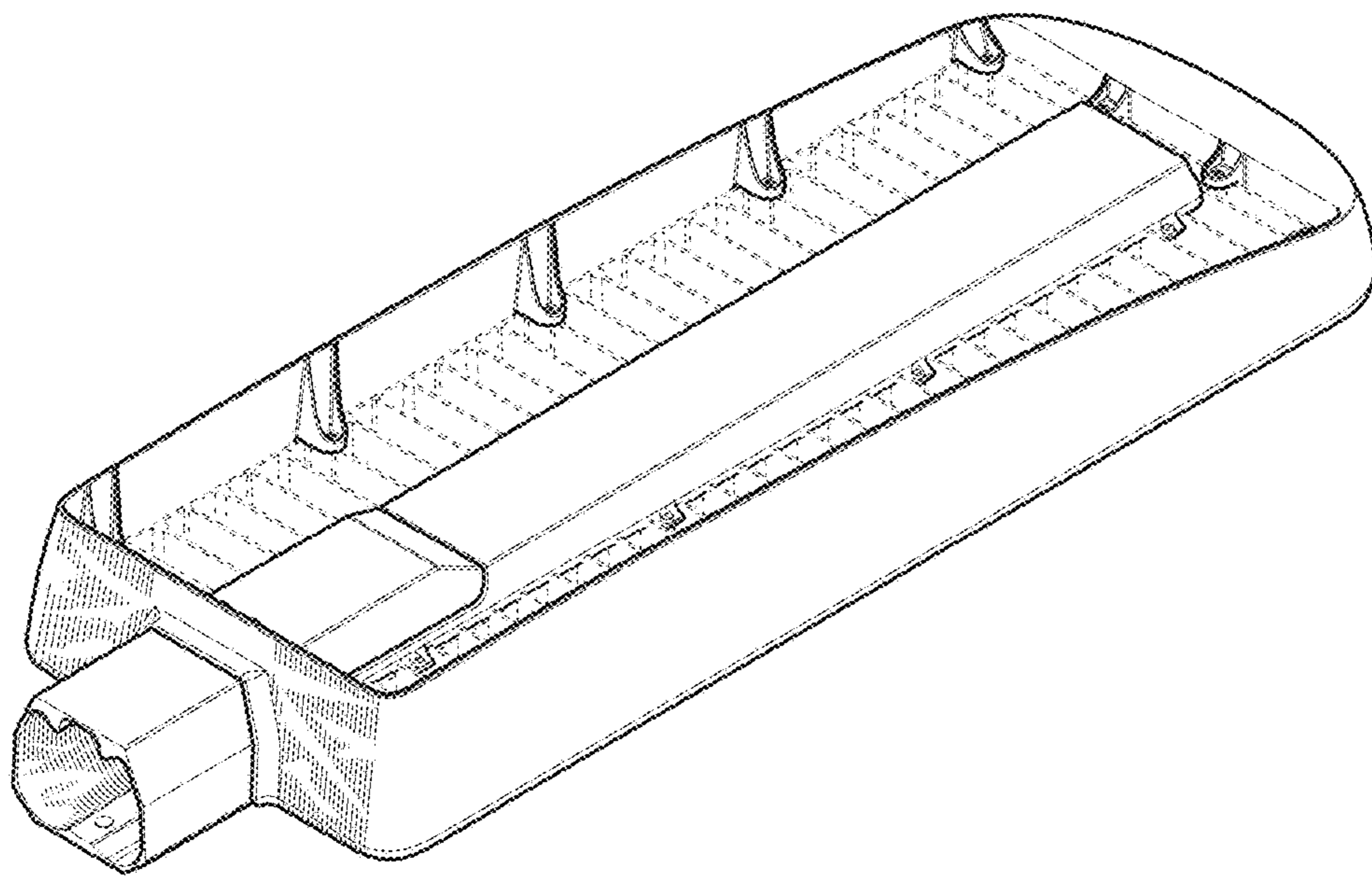
(56)

References Cited

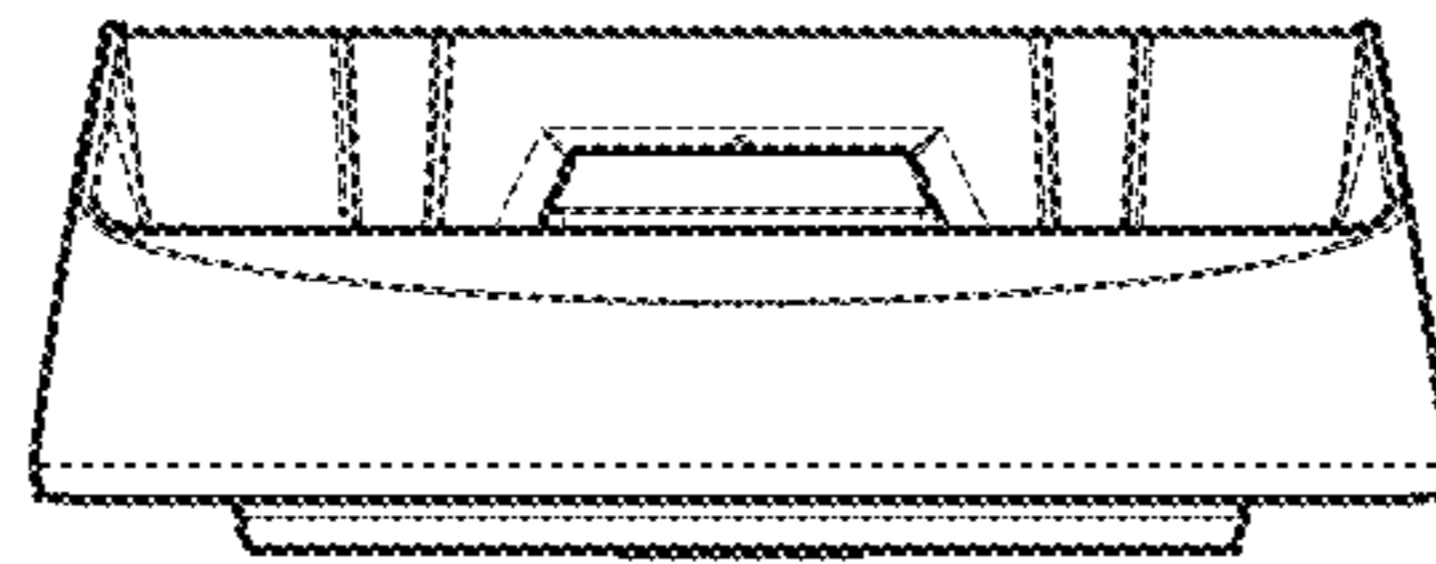
U.S. PATENT DOCUMENTS

D770,660 S * 11/2016 Yang D26/71
D785,231 S * 4/2017 Shundong D26/92
2013/0188371 A1* 7/2013 Ham F21V 29/20
362/373
2016/0061428 A1* 3/2016 Nimma F21V 31/005
362/236

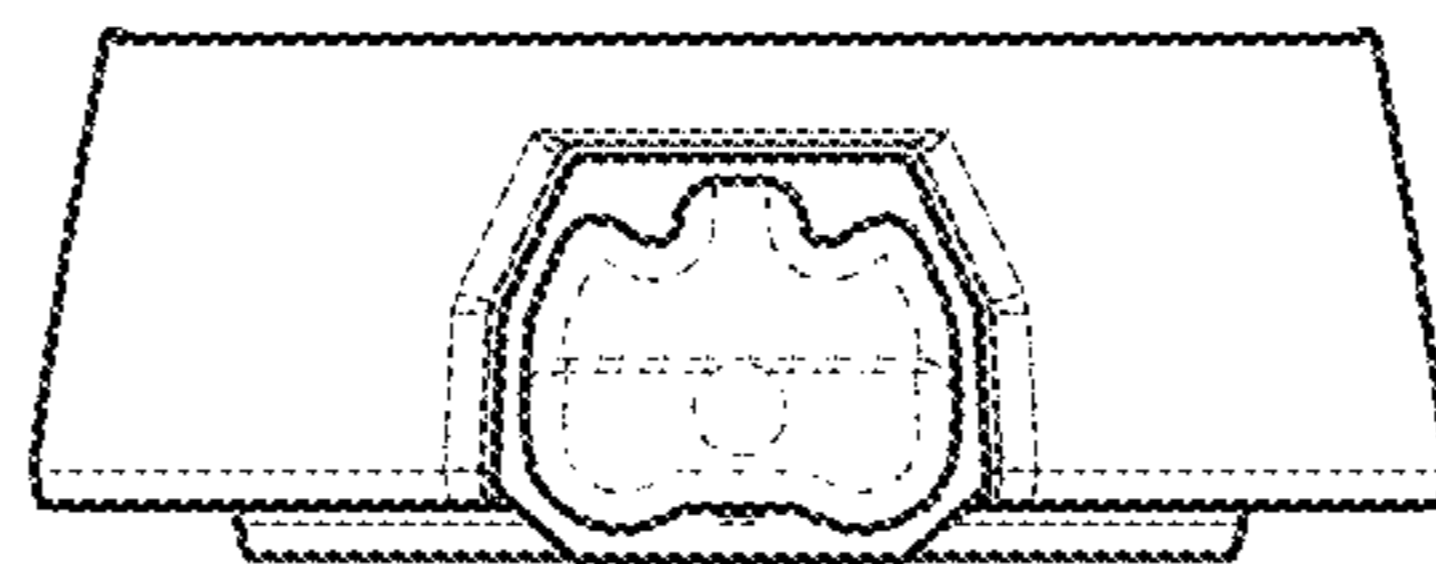
* cited by examiner



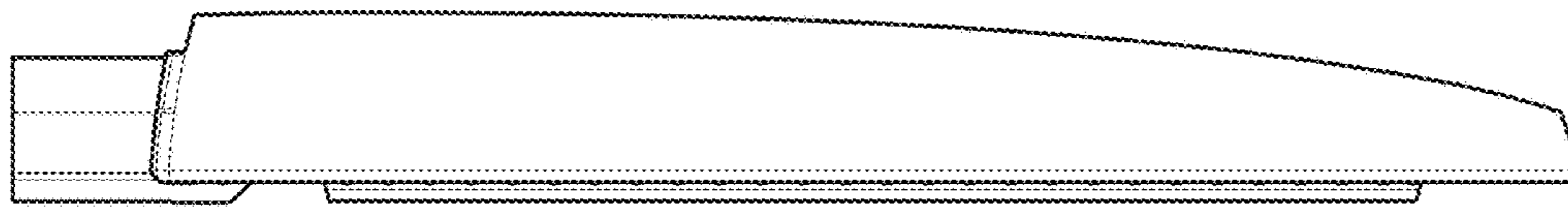
1.1



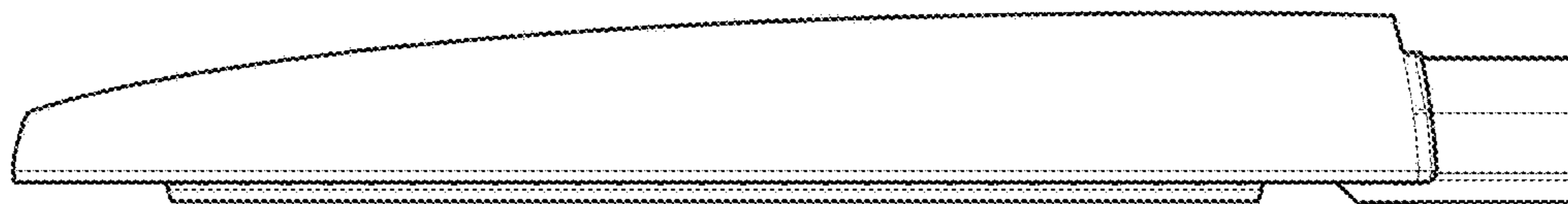
1.2



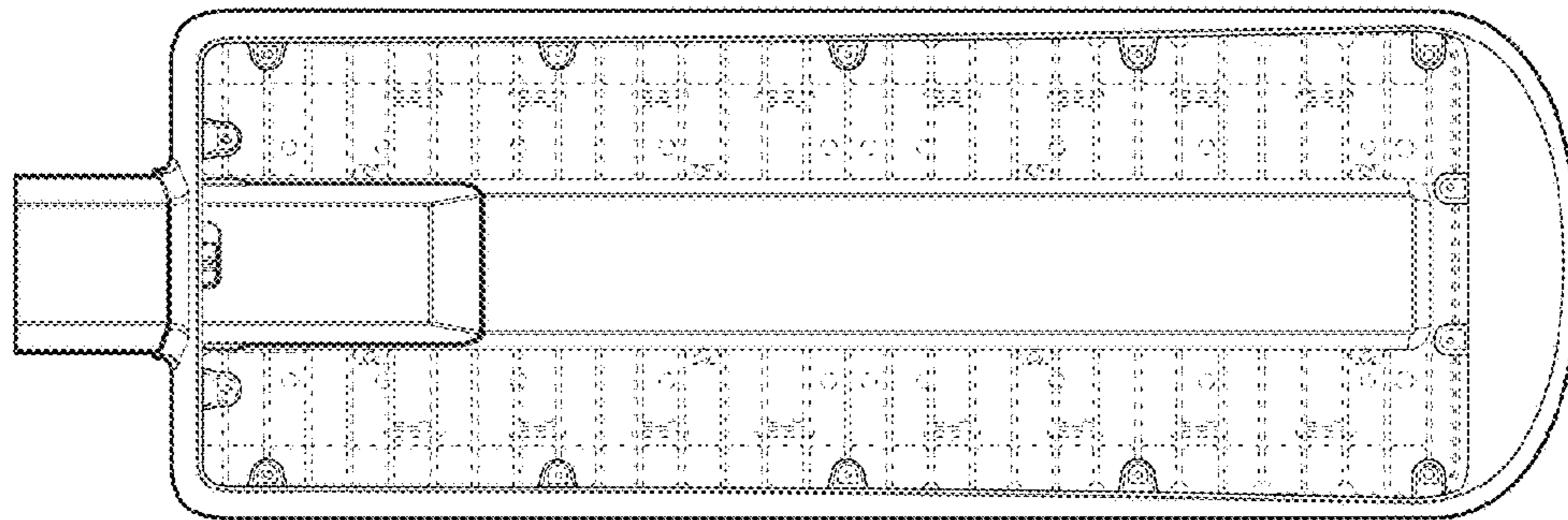
1.3



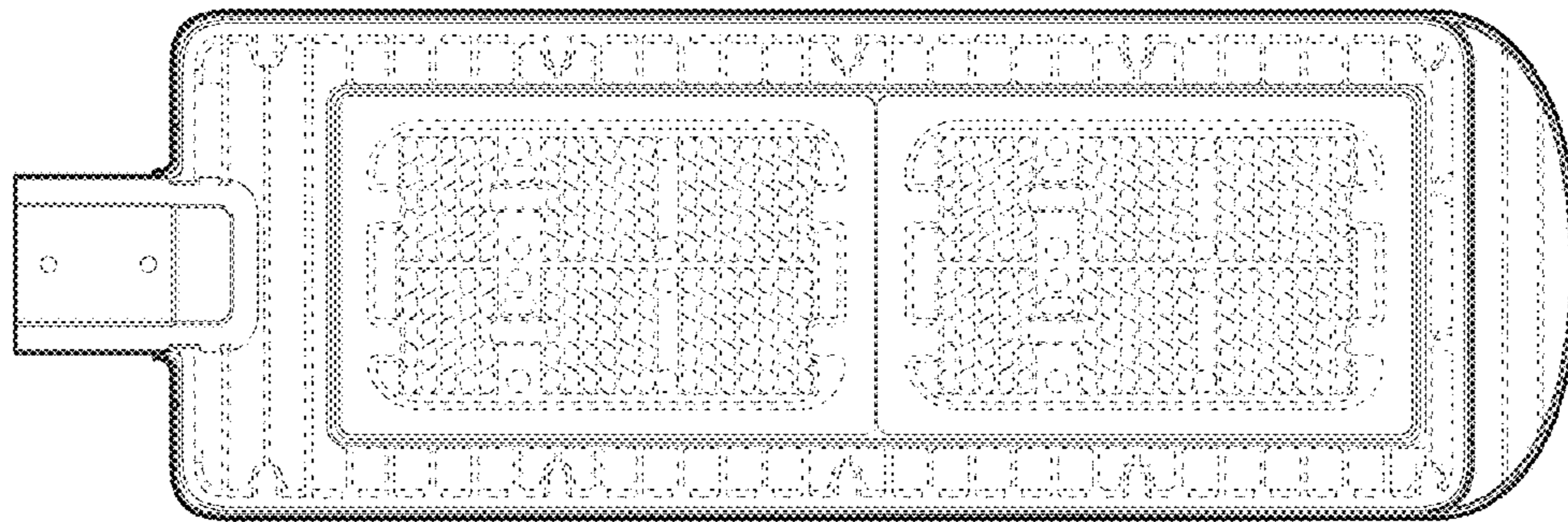
1.4



1.5



1.6



1.7