



US00D843039S

(12) **United States Design Patent**
Fan

(10) **Patent No.:** **US D843,039 S**

(45) **Date of Patent:** **** Mar. 12, 2019**

(54) **CLIP LAMP**

(71) Applicant: **Chao Fan**, Zhejiang (CN)

(72) Inventor: **Chao Fan**, Zhejiang (CN)

(**) Term: **15 Years**

(21) Appl. No.: **29/627,482**

(22) Filed: **Nov. 28, 2017**

(51) **LOC (11) Cl.** **26-03**

(52) **U.S. Cl.**
USPC **D26/60**

(58) **Field of Classification Search**
USPC D26/1, 24, 60, 61, 62, 72, 93, 106, 118,
D26/107
CPC F21S 6/00; F21S 6/002; F21S 6/003; F21S
6/004; F21S 6/005; F21S 6/006; F21S
6/007; F21V 21/02; F21V 21/088; F21W
2121/00; F21W 2131/30

See application file for complete search history.

(56) **References Cited**

U.S. PATENT DOCUMENTS

D498,322 S * 11/2004 Schnell D26/60
D529,651 S * 10/2006 Chan D26/60
D544,124 S * 6/2007 Chan D26/60

D590,533 S * 4/2009 Li D26/60
D636,918 S * 4/2011 Nelson D26/61
D642,312 S * 7/2011 Rothman D26/60
D648,883 S * 11/2011 Levine D26/60
D788,962 S * 6/2017 Edgar D26/60
D824,580 S * 7/2018 Hu D26/60

* cited by examiner

Primary Examiner — Brian N. Vinson

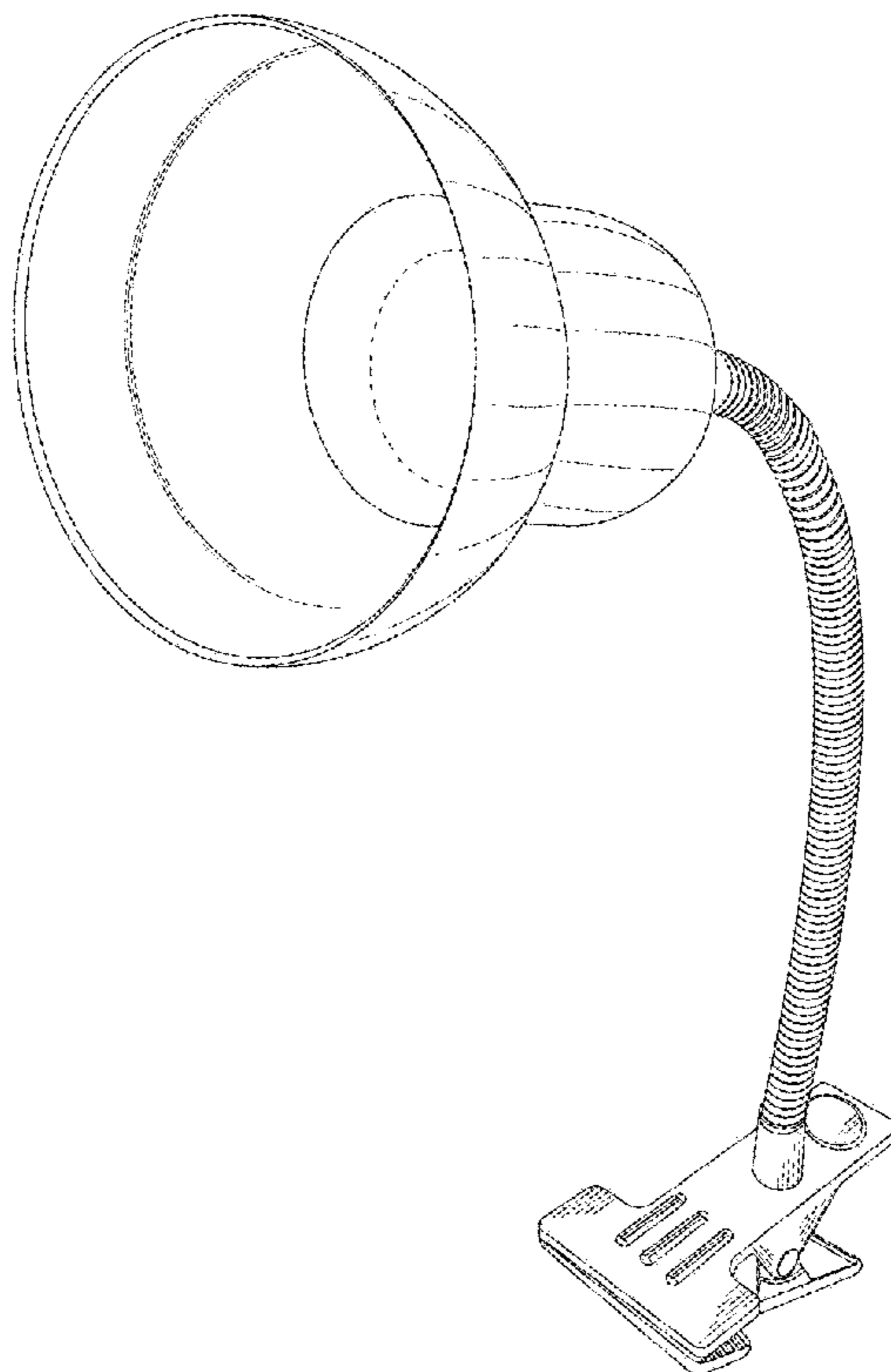
(57) **CLAIM**

The ornamental design for a clip lamp, as shown and described.

DESCRIPTION

FIG. 1 is a perspective view of a clip lamp showing my new design;
FIG. 2 is a front elevational view of the clip lamp of FIG. 1;
FIG. 3 is a rear elevational view of the clip lamp of FIG. 1;
FIG. 4 is a left side elevational view of the clip lamp of FIG. 1;
FIG. 5 is a right side elevational view of the clip lamp of FIG. 1;
FIG. 6 is a top plan view of the clip lamp of FIG. 1;
FIG. 7 is a bottom plan view of the clip lamp of FIG. 1; and,
FIG. 8 is a perspective view of the clip lamp when the lamp pole is bent.
The broken line disclosure represents a portion of the lamp which forms no part of the claimed design.

1 Claim, 8 Drawing Sheets



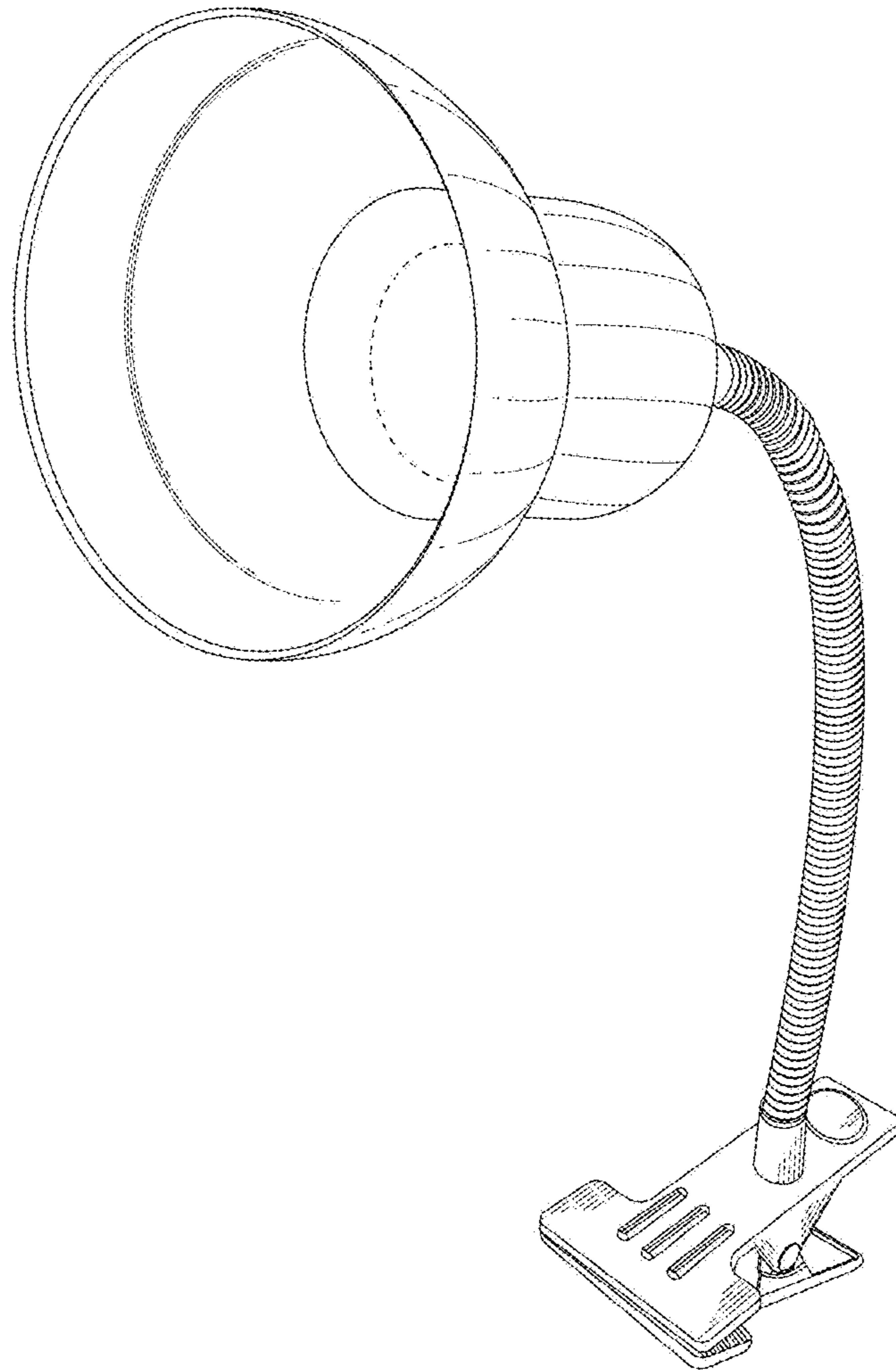


FIG.1

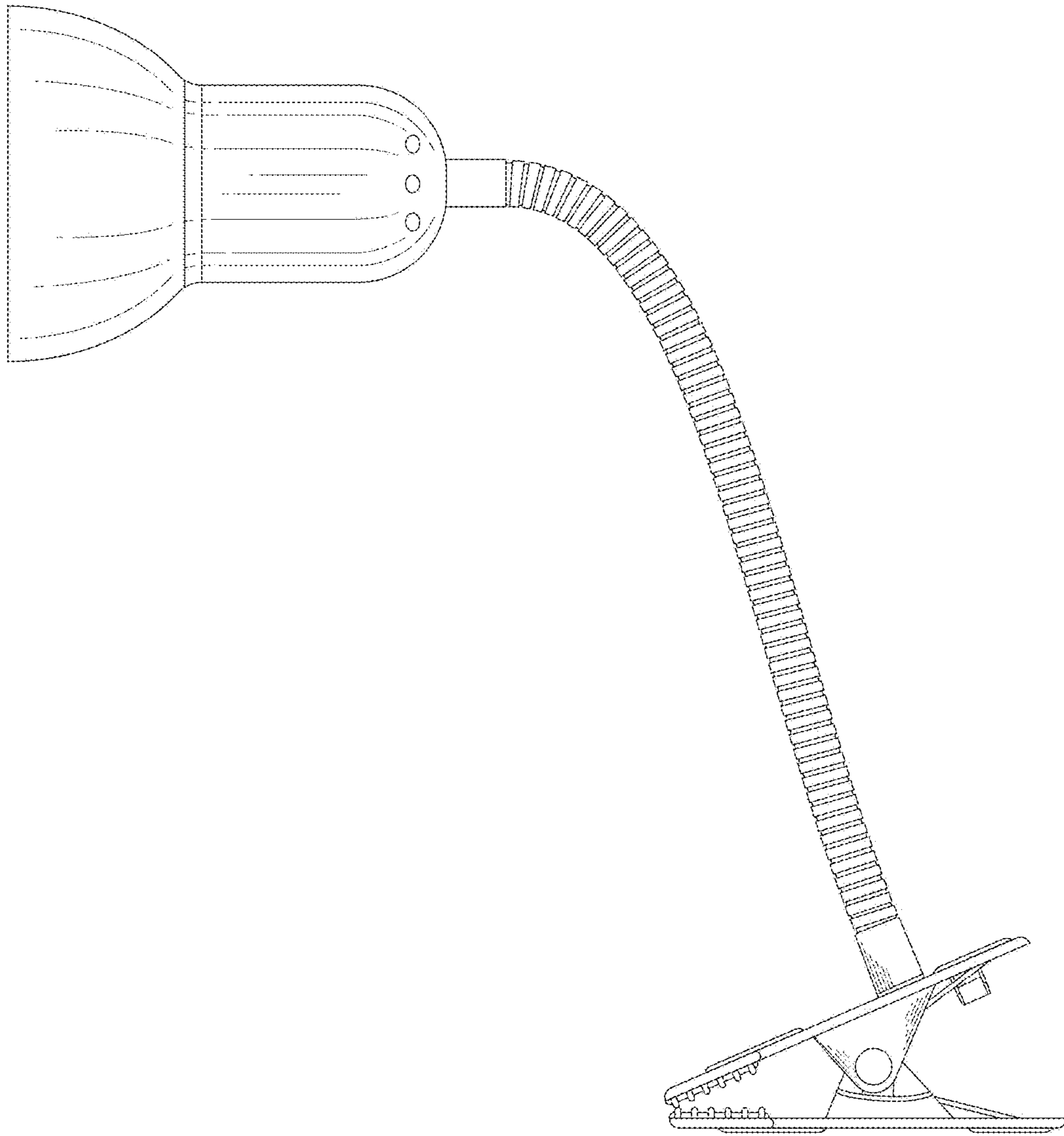


FIG.2

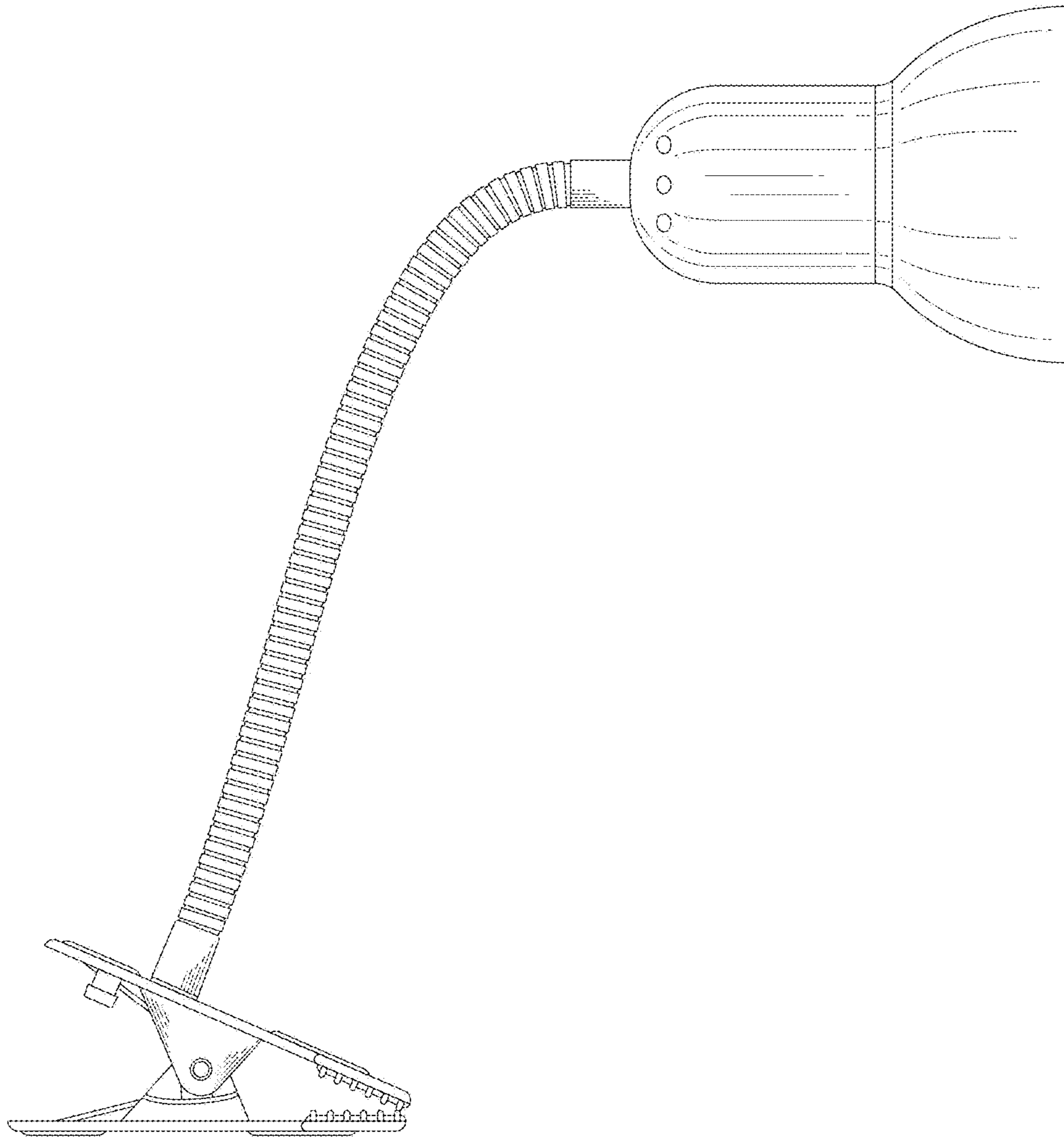


FIG.3

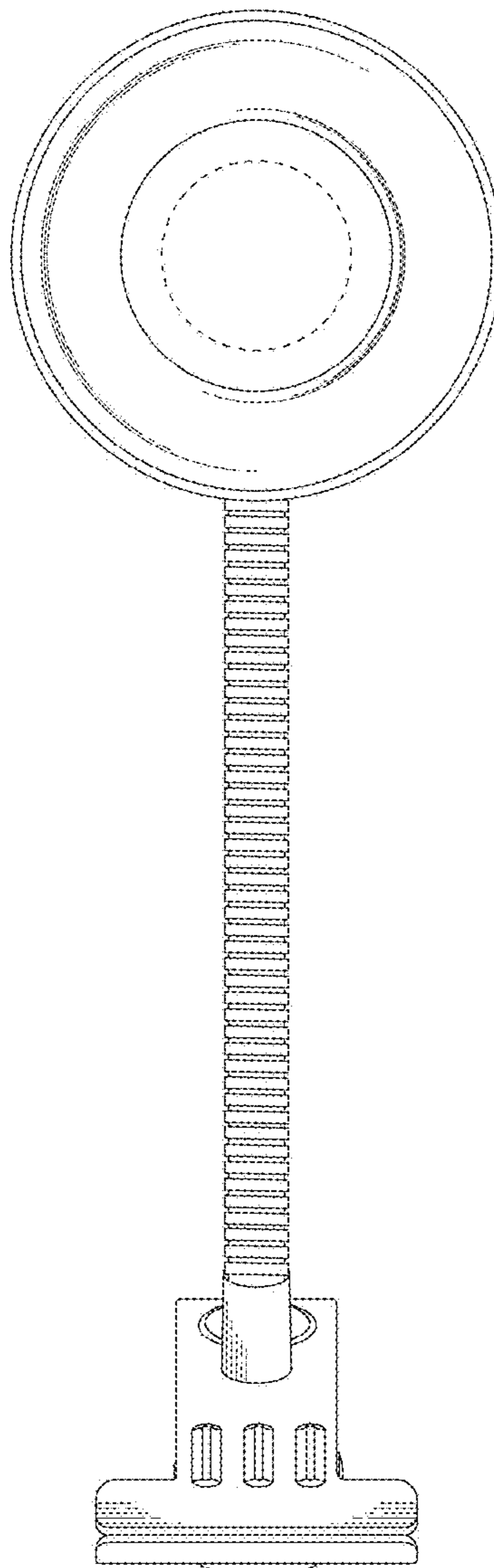


FIG.4

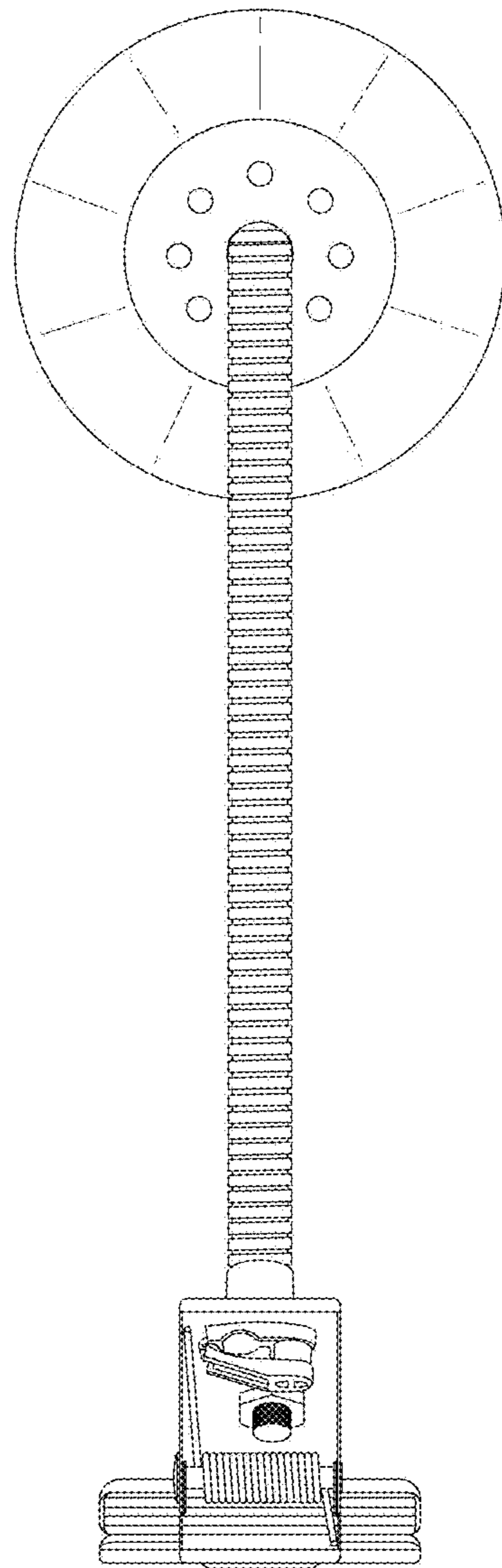


FIG.5

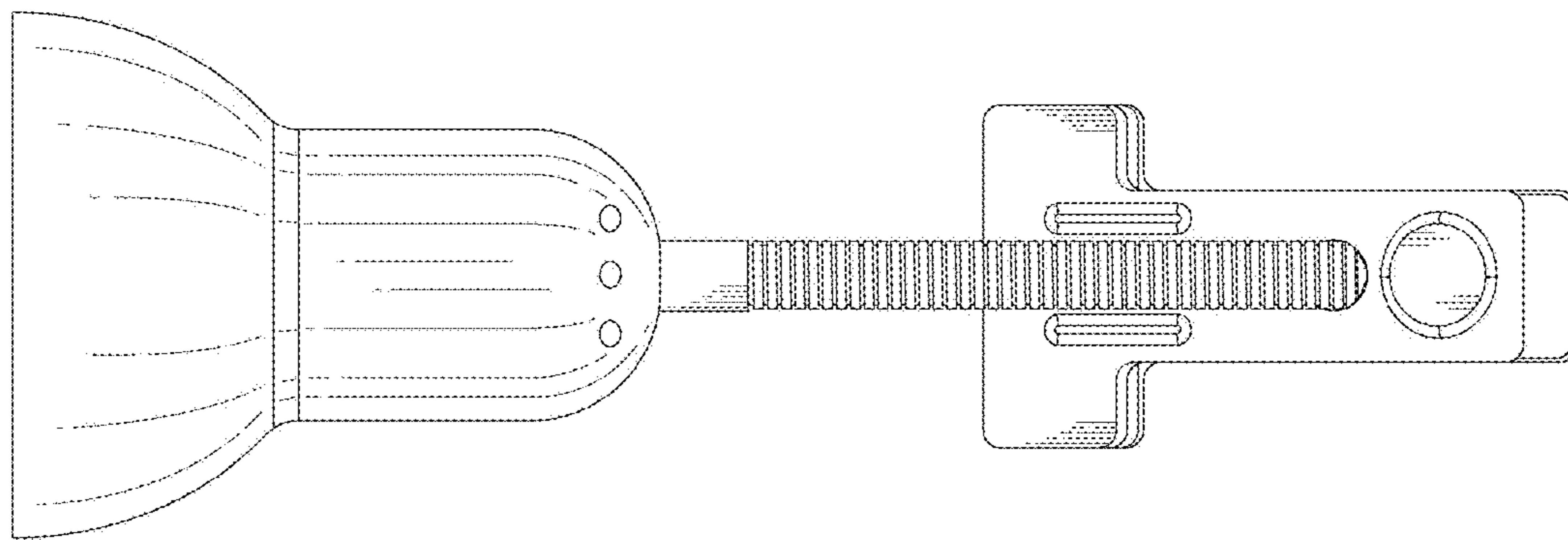


FIG.6

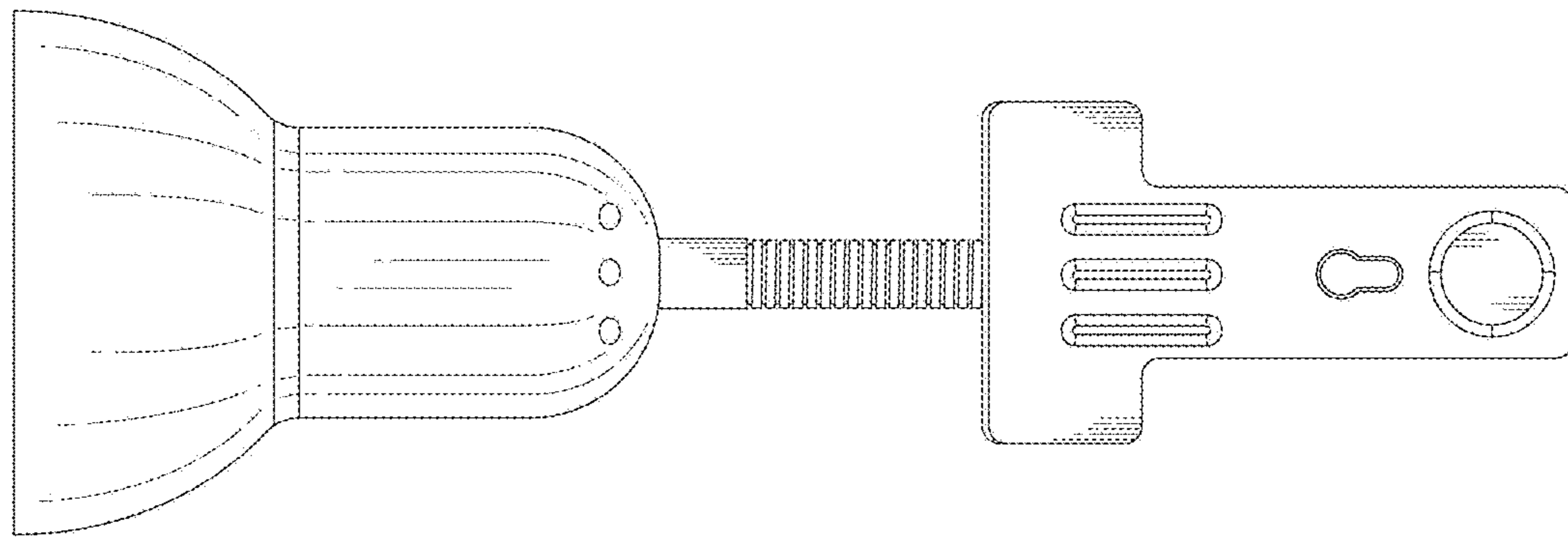


FIG. 7

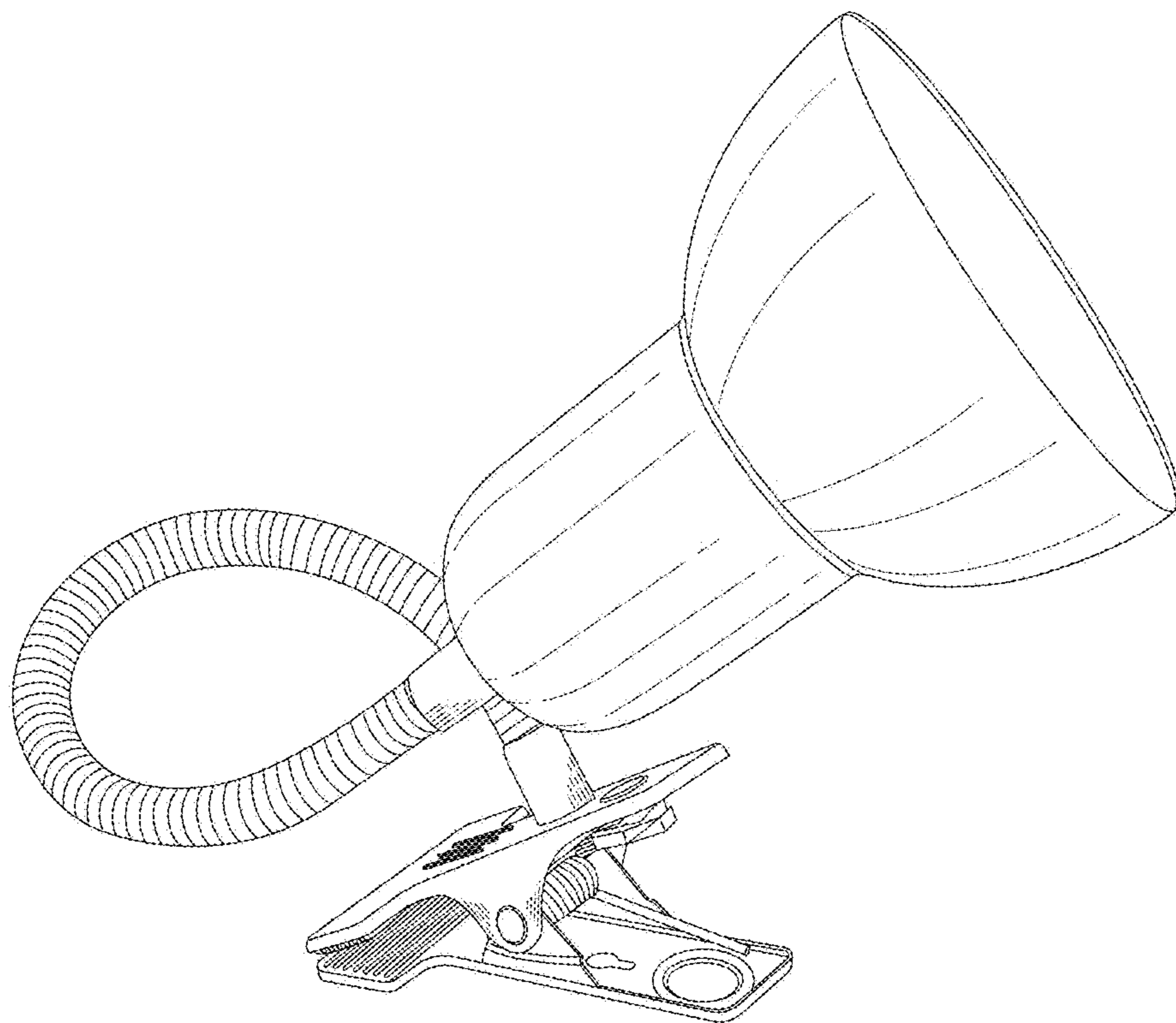


FIG.8