



US00D843038S

(12) **United States Design Patent** (10) **Patent No.:** **US D843,038 S**  
**Vyvey** (45) **Date of Patent:** **\*\* Mar. 12, 2019**

(54) **PORTABLE LANTERN**  
(71) Applicant: **PHILIPS LIGHTING HOLDING B.V.**, Eindhoven (NL)  
(72) Inventor: **Christophe Vyvey**, Beerse (BE)  
(73) Assignee: **PHILIPS LIGHTING HOLDING B.V.**, Eindhoven (NL)  
(\*\*) Term: **15 Years**  
(21) Appl. No.: **35/502,434**  
(22) Filed: **Jan. 30, 2017**  
(80) **Hague Agreement Data**  
Int. Filing Date: **Jan. 30, 2017**  
Int. Reg. No.: **DM/094534**  
Int. Reg. Date: **Jan. 30, 2017**  
Int. Reg. Pub. Date: **Feb. 10, 2017**

D311,964 S \* 11/1990 Wan ..... D26/40  
D382,358 S \* 8/1997 Poon ..... D26/42  
D392,061 S \* 3/1998 Lo ..... D26/42  
D414,886 S \* 10/1999 Lo ..... D26/42  
D429,832 S \* 8/2000 Poon ..... D26/40  
D443,088 S \* 5/2001 Skidmore ..... D26/40  
D485,928 S \* 1/2004 Leung ..... D26/40  
D486,932 S \* 2/2004 Dario ..... D26/40  
D486,934 S \* 2/2004 Leung ..... D26/40  
D521,783 S \* 5/2006 Nida ..... D6/521  
D545,984 S \* 7/2007 Leung ..... D26/40  
D546,488 S \* 7/2007 Poon ..... D26/40  
D546,991 S \* 7/2007 Poon ..... D26/40  
D548,864 S \* 8/2007 Lee ..... D26/38  
D553,774 S \* 10/2007 Leung ..... D26/40  
D556,928 S \* 12/2007 Poon ..... D26/40  
D559,418 S \* 1/2008 Poon ..... D26/40  
D575,429 S \* 8/2008 Shiu ..... D26/40  
D576,329 S \* 9/2008 Poon ..... D26/40  
D604,436 S \* 11/2009 Poon ..... D26/40  
D612,979 S \* 3/2010 Holsinger ..... D26/138  
D616,578 S \* 5/2010 Leung ..... D26/41

(Continued)

Primary Examiner — Darlington Ly

(30) **Foreign Application Priority Data**  
Aug. 17, 2016 (EM) ..... 003343557-0001  
(51) **LOC (11) Cl.** ..... **26-02**  
(52) **U.S. Cl.**  
USPC ..... **D26/40**  
(58) **Field of Classification Search**  
USPC ..... D26/37, 38, 40, 41  
CPC ..... F21L 4/00; F21L 4/005; F21L 4/02; F21L 4/025; F21L 4/027; F21L 4/04; F21L 4/08; F21L 7/00; F21L 11/00; F21L 13/00; F21L 13/04; F21L 13/08; F21L 14/02; F21L 17/00; F21L 19/00; F21L 25/00; F21L 2003/00; F21L 2005/00  
See application file for complete search history.

(56) **References Cited**  
U.S. PATENT DOCUMENTS  
D287,409 S \* 12/1986 Johansson ..... D26/40  
D299,761 S \* 2/1989 Chan ..... D26/40

(57) **CLAIM**

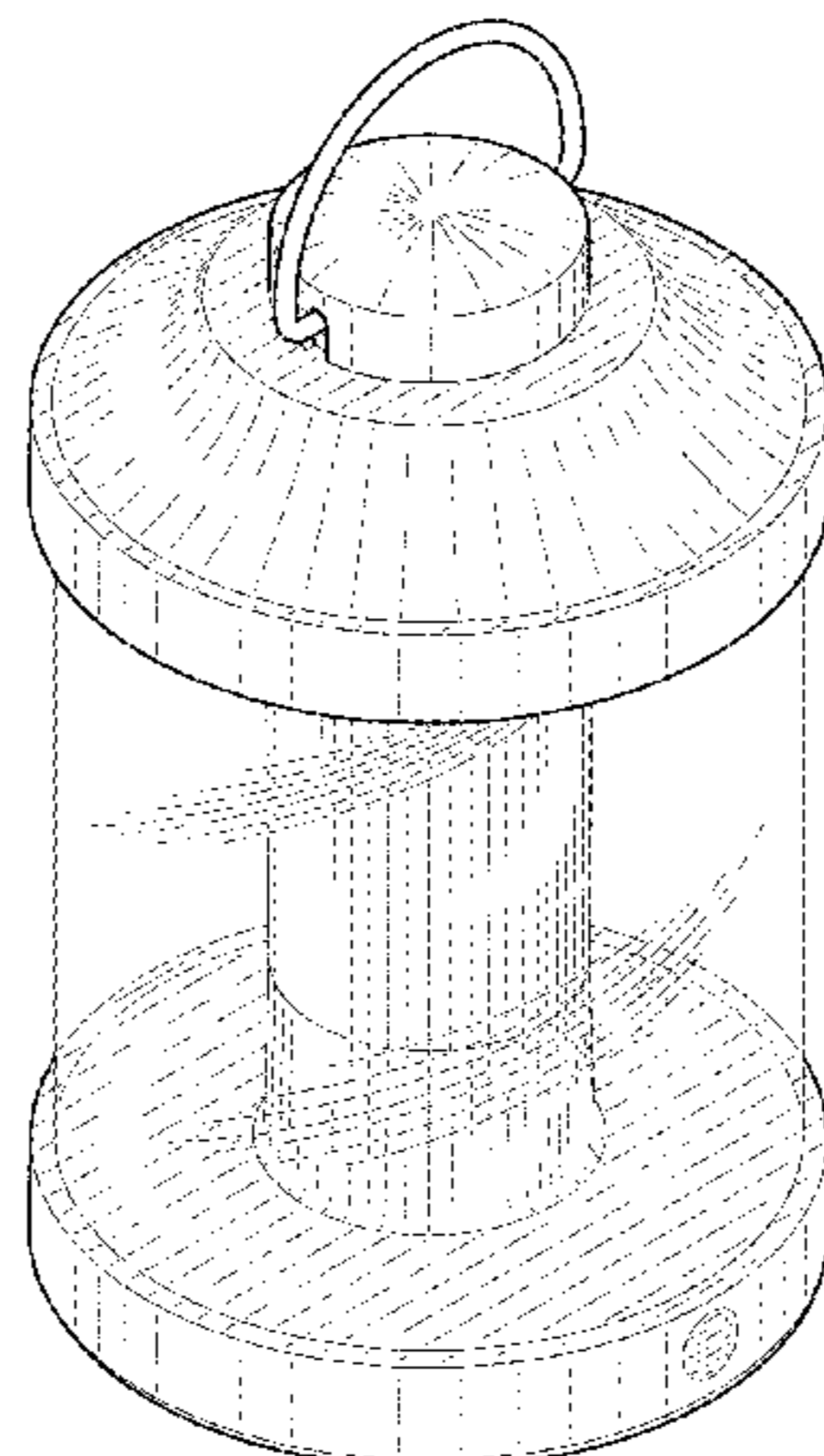
The ornamental design for a portable lantern, as shown and described.

**DESCRIPTION**

1.1 is a top, front, and side perspective view of a portable lantern showing my new design;  
1.2 is a front elevation view thereof;  
1.3 is a rear elevation view thereof;  
1.4 is a right side elevation view thereof;  
1.5 is a left side elevation view thereof;  
1.6 is a top plan view thereof; and  
1.7 is a bottom plan view thereof.

The broken lines in the reproductions illustrate portions of the portable lantern that form no part of the claimed design.

**1 Claim, 6 Drawing Sheets**



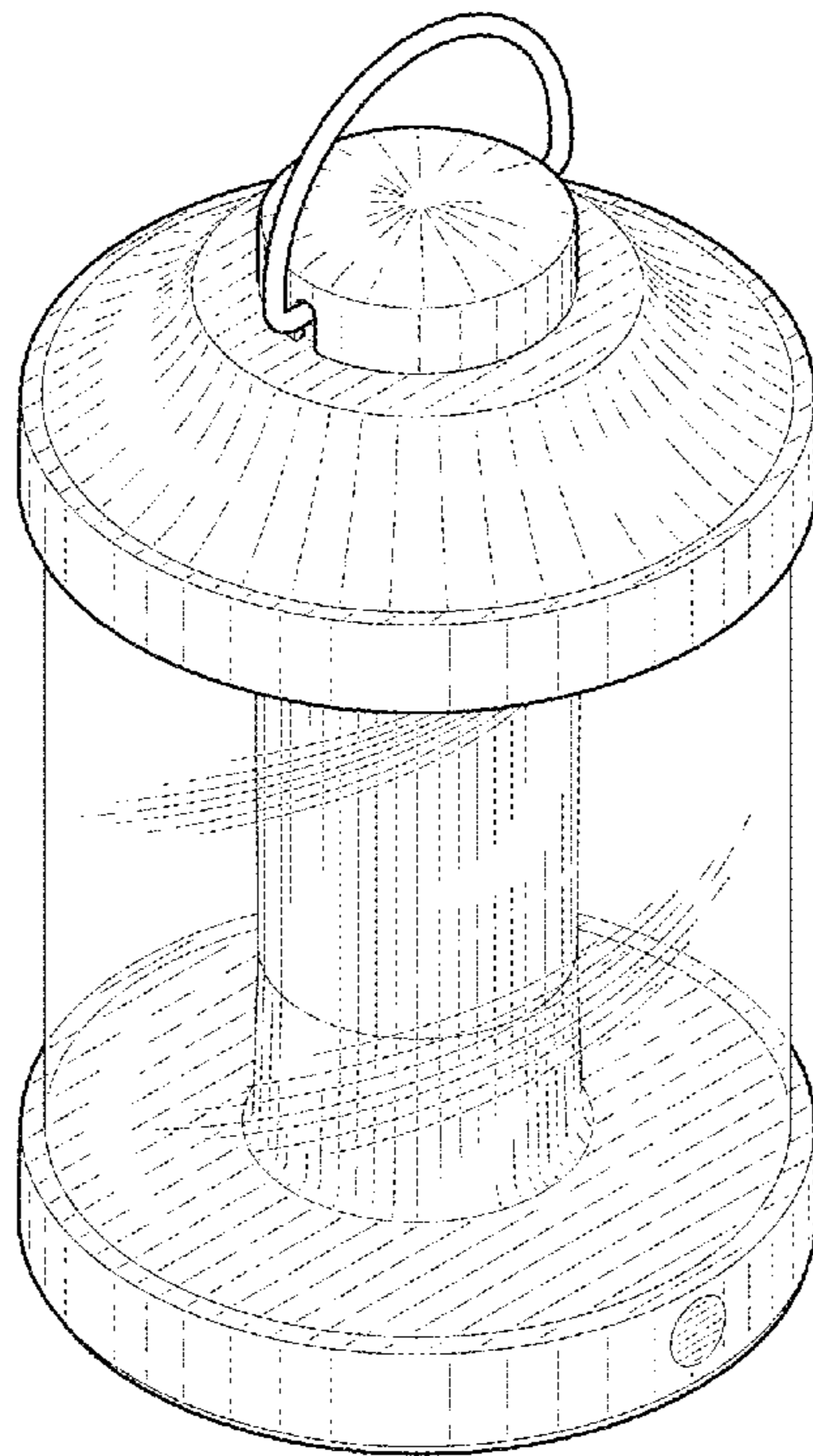
(56)

**References Cited**

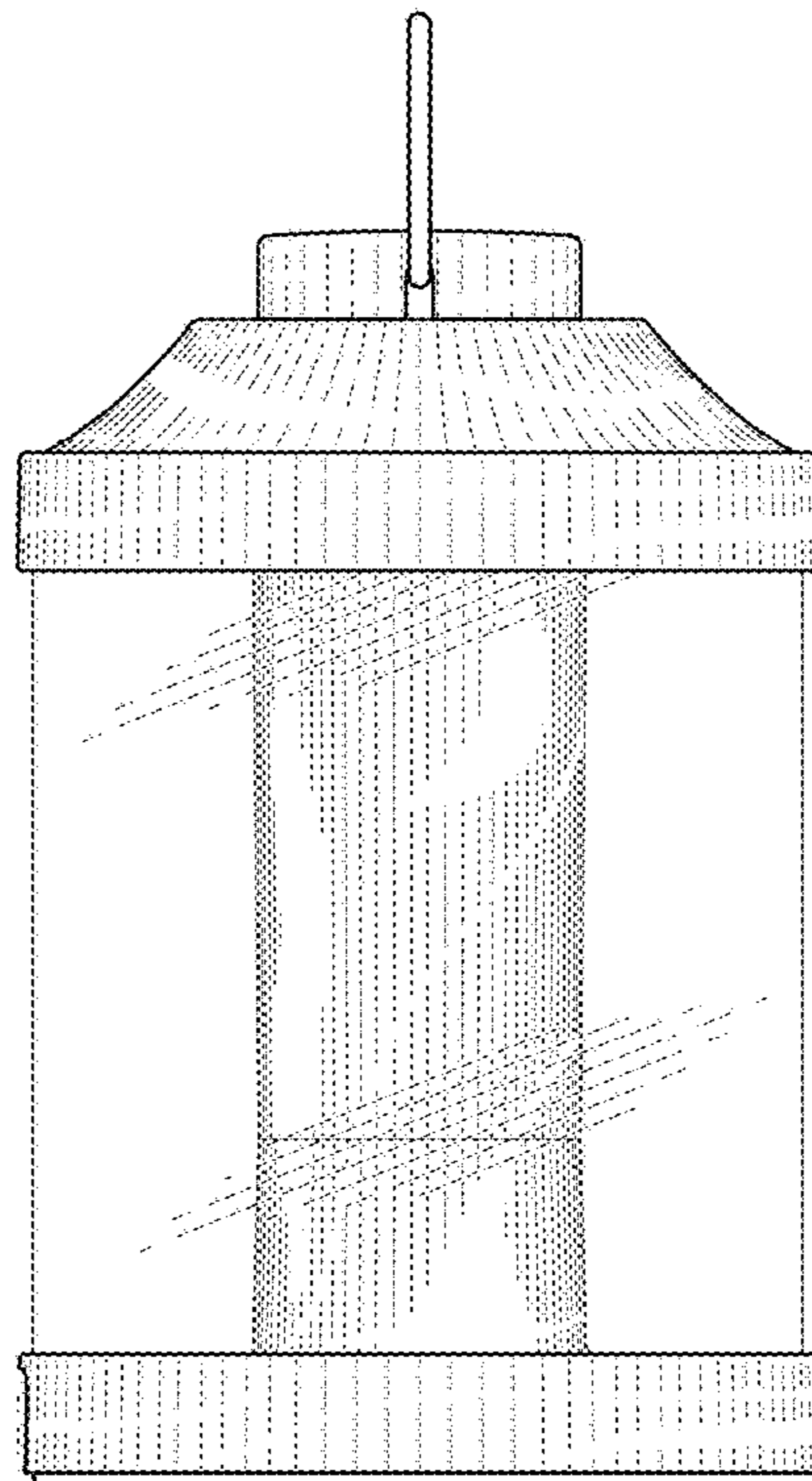
U.S. PATENT DOCUMENTS

D617,480	S *	6/2010	DeBrunner	.....	D26/40
D617,481	S *	6/2010	Leung	.....	D26/41
D648,055	S *	11/2011	Poon	.....	D26/41
D650,104	S *	12/2011	Brands	.....	D26/41
D652,554	S *	1/2012	Leung	.....	D26/41
D670,013	S *	10/2012	Bertken	.....	D26/40
D670,014	S *	10/2012	Bertken	.....	D26/40
D674,945	S *	1/2013	Bertken	.....	D26/40
D774,228	S *	12/2016	Workman	.....	D26/41
D788,960	S *	6/2017	Thompkin	.....	D26/41
D794,235	S *	8/2017	Green	.....	D26/40
D803,443	S *	11/2017	Burke	.....	D26/40
2012/0230042	A1 *	9/2012	Trittis	.....	F21L 19/00 362/382
2015/0009660	A1 *	1/2015	Lee	.....	F21L 4/00 362/186
2017/0152997	A1 *	6/2017	Plott	.....	F21L 4/00

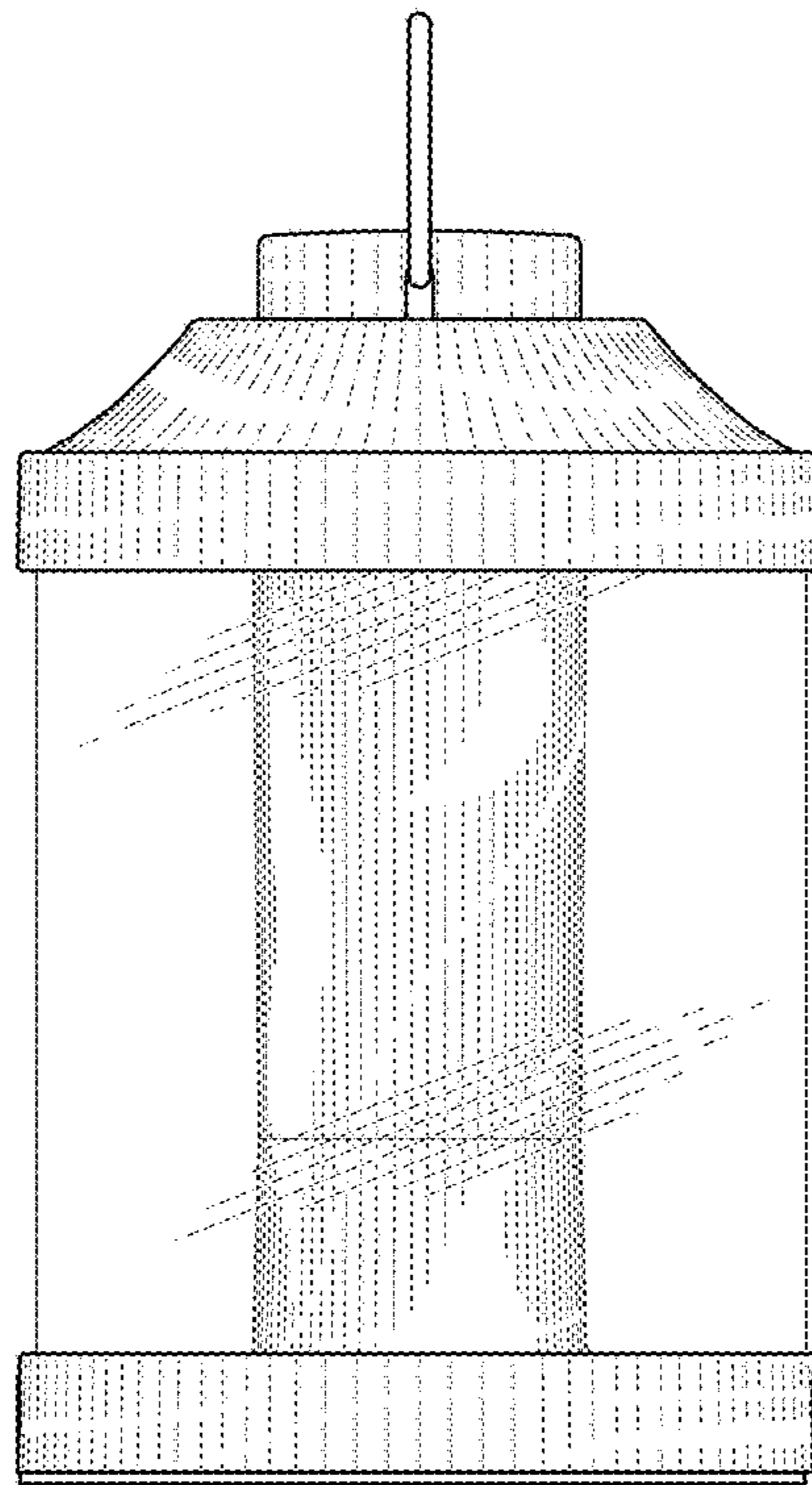
\* cited by examiner



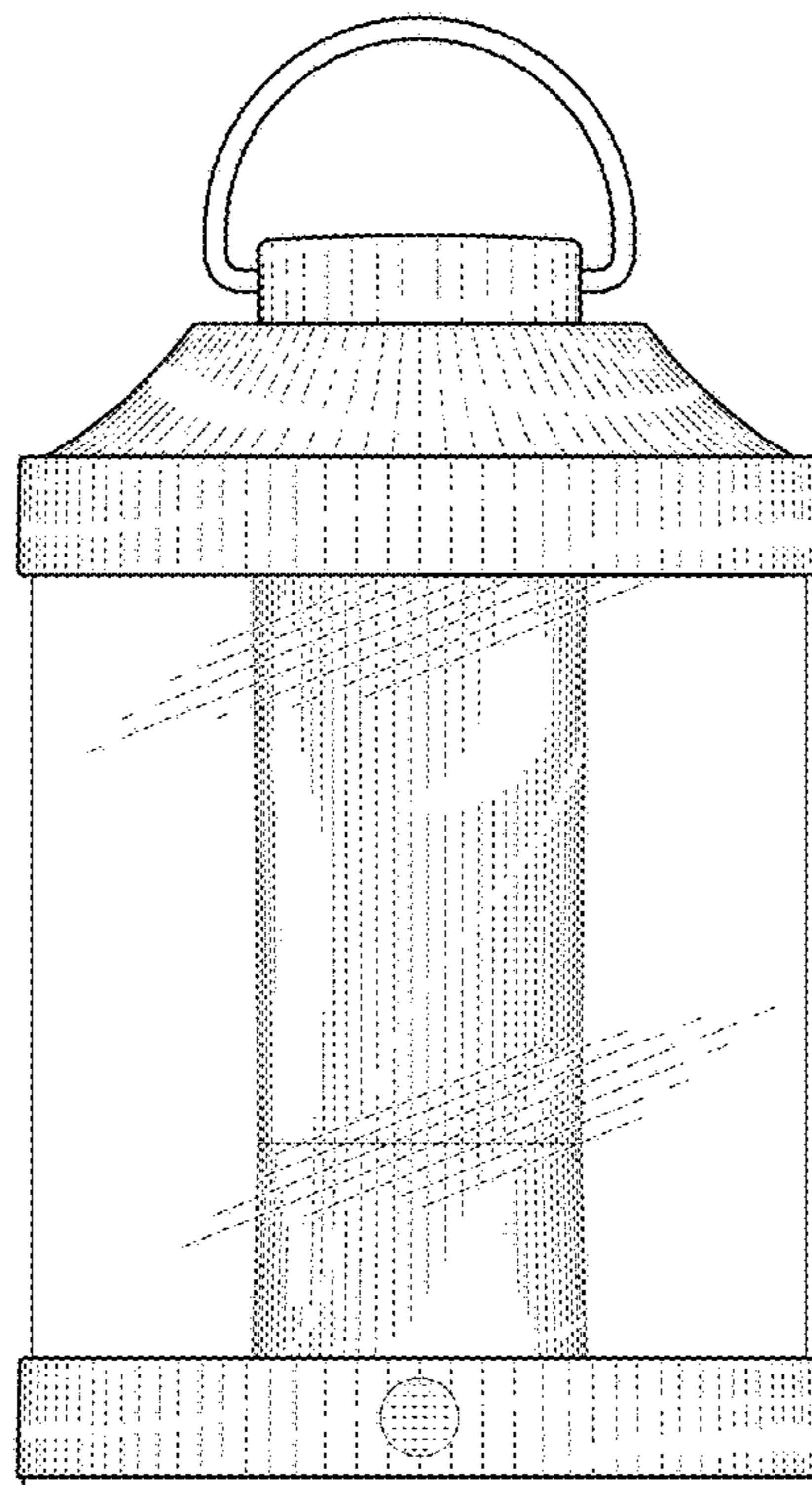
1.1



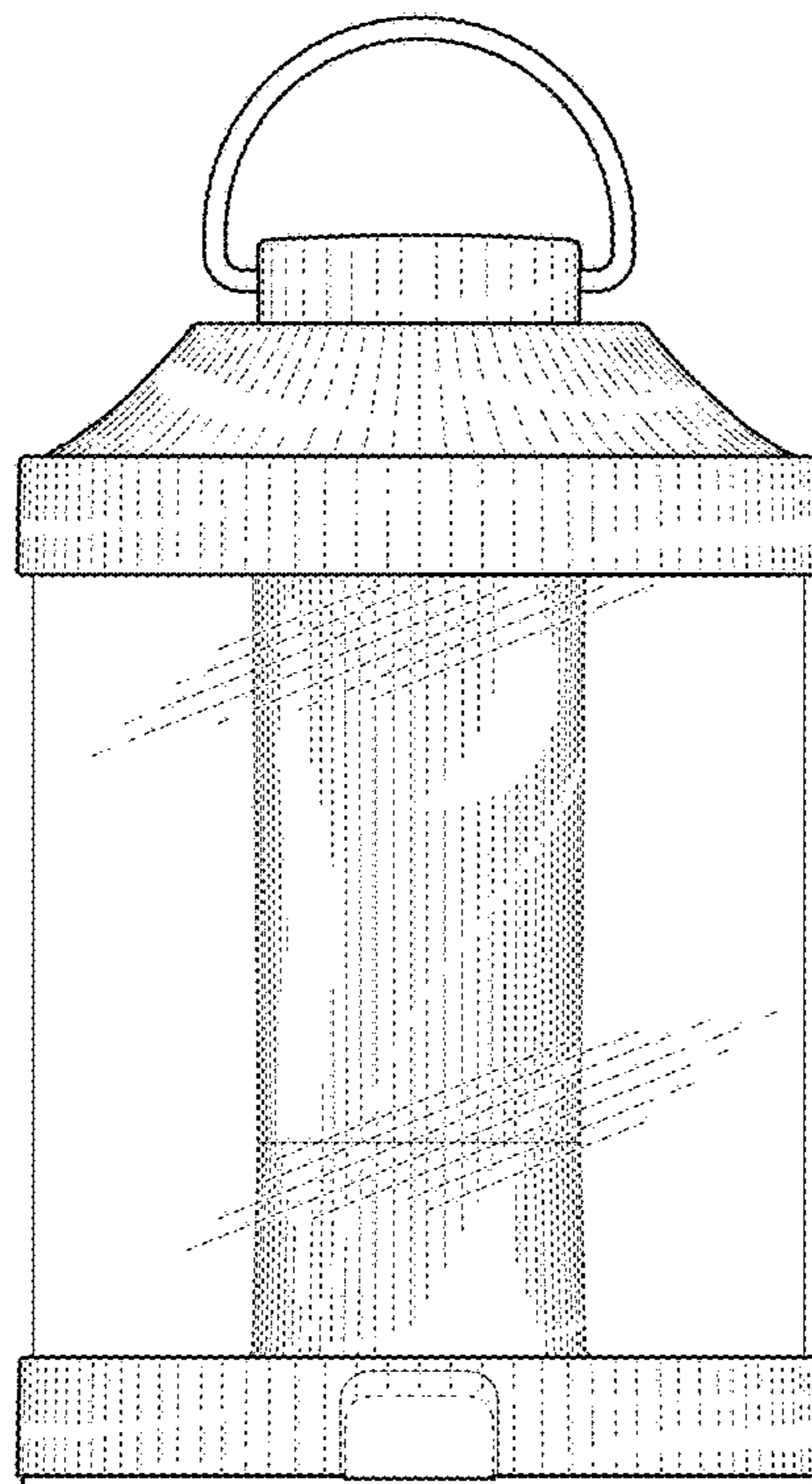
1.2



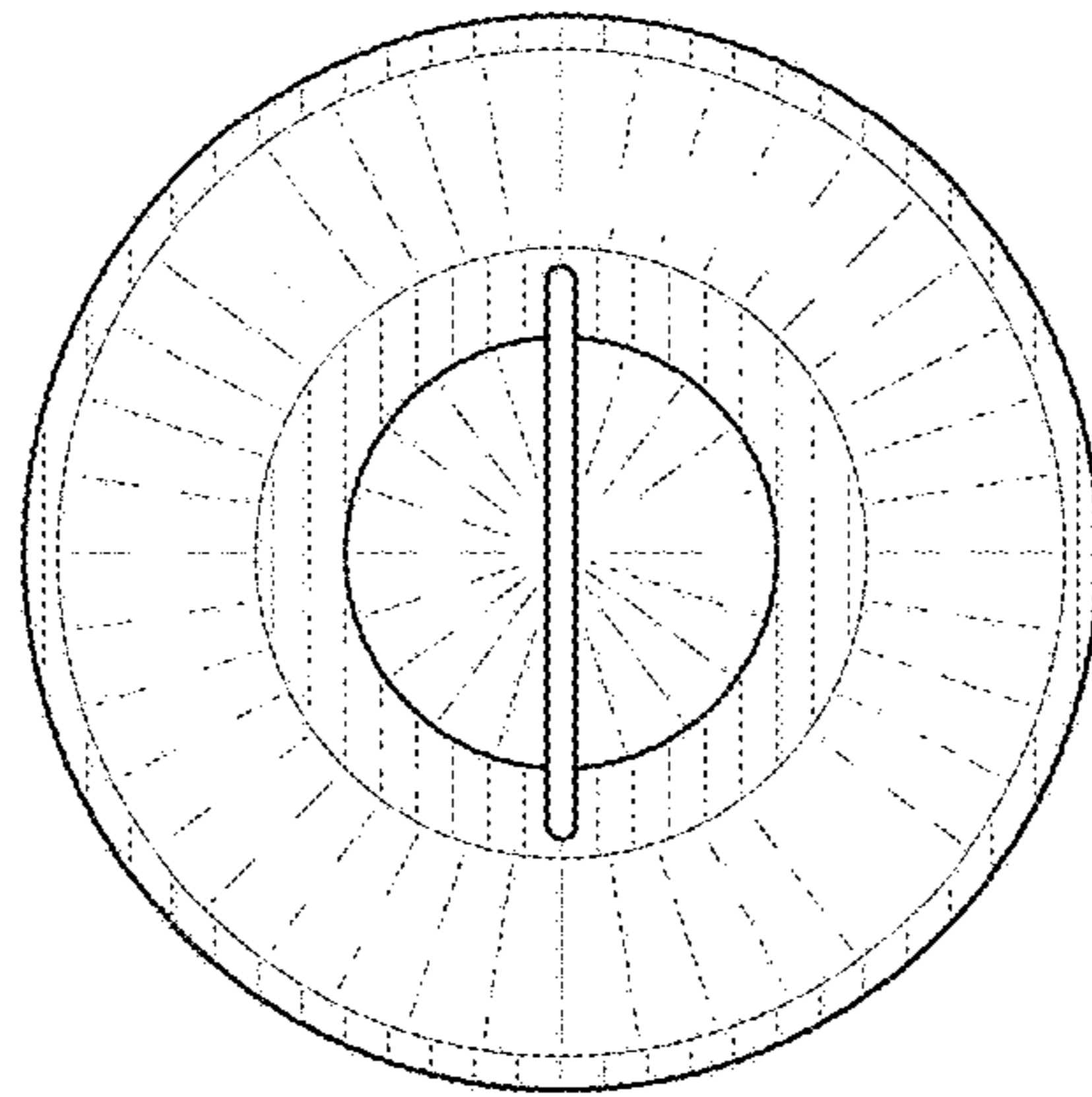
1.3



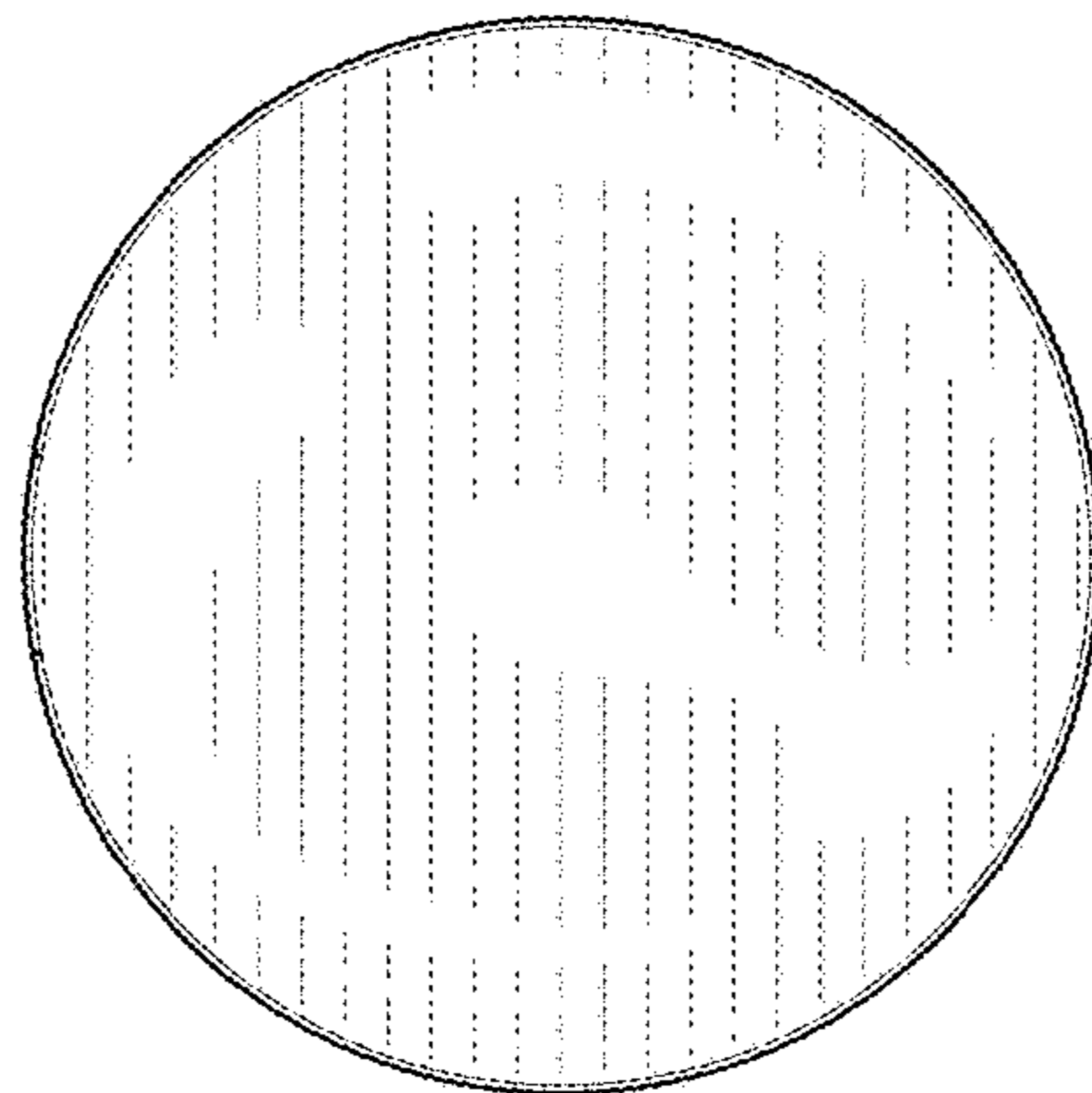
1.4



1.5



1.6



1.7