



US00D843037S

(12) **United States Design Patent**
Li

(10) **Patent No.:** **US D843,037 S**

(45) **Date of Patent:** **** Mar. 12, 2019**

(54) **HEADLAMP**

(71) Applicant: **Jinxiao Li**, Fujian (CN)

(72) Inventor: **Jinxiao Li**, Fujian (CN)

(**) Term: **15 Years**

(21) Appl. No.: **29/630,948**

(22) Filed: **Dec. 25, 2017**

(51) **LOC (11) Cl.** **26-02**

(52) **U.S. Cl.**
USPC **D26/39**

(58) **Field of Classification Search**
USPC D26/37-50
CPC F21L 2003/00; F21L 4/00; F21L 4/005;
F21L 4/02; F21L 4/025; F21L 11/00;
F21L 17/00; F21L 13/04; F21L 14/02;
F21L 13/00; F21L 7/00
See application file for complete search history.

(56) **References Cited**

U.S. PATENT DOCUMENTS

D672,893 S * 12/2012 Inskip D26/39
D680,250 S * 4/2013 Opolka D26/39

D693,040 S * 11/2013 Svensson D26/39
D708,793 S * 7/2014 Silverlieb D26/38
D736,979 S * 8/2015 Petzl D26/39

* cited by examiner

Primary Examiner — Marcus Jackson

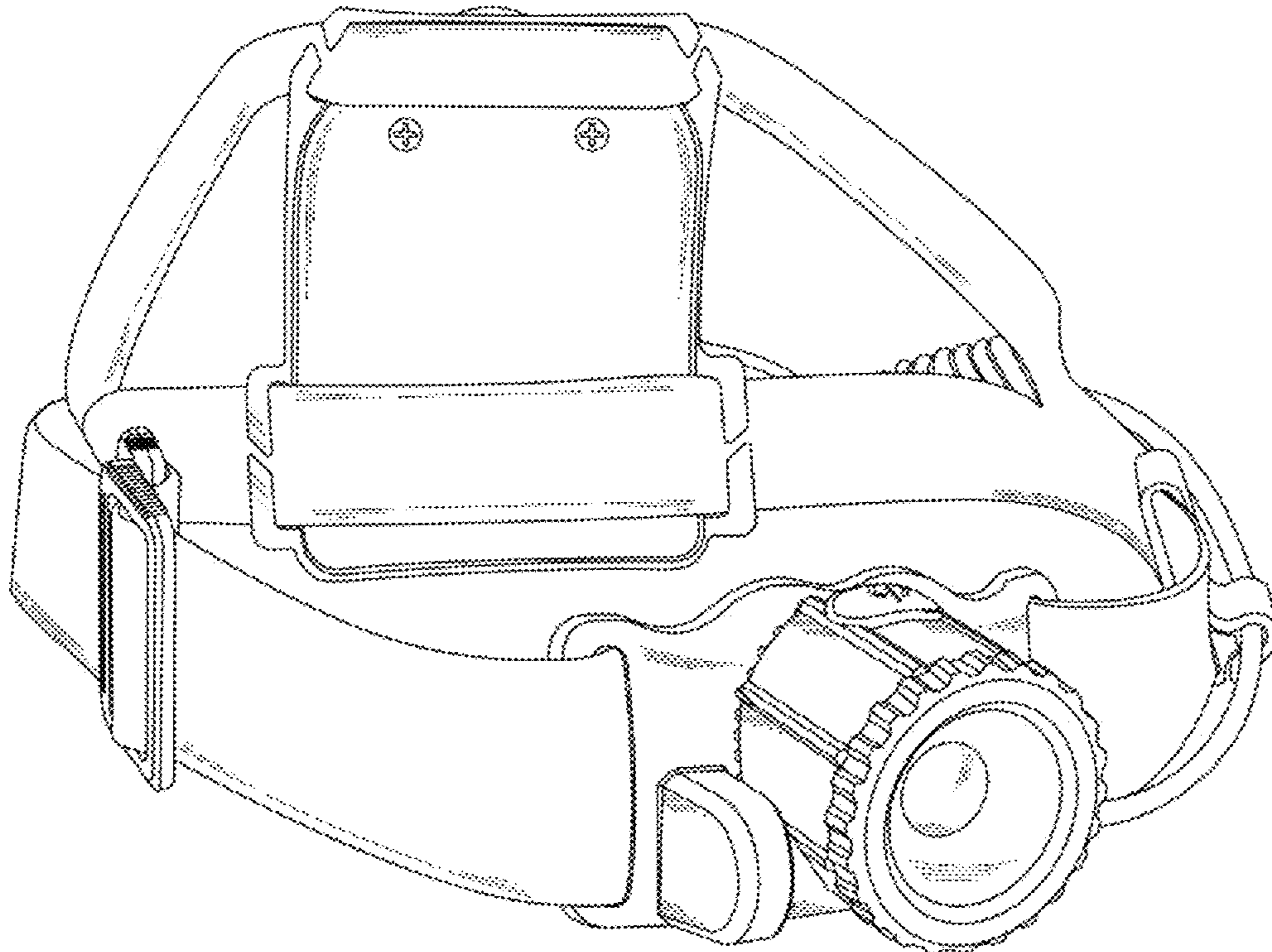
(57) **CLAIM**

I claim the ornamental design for a headlamp, as shown and described.

DESCRIPTION

FIG. 1 is a perspective view of a headlamp showing my new design;
FIG. 2 is a front elevational view thereof;
FIG. 3 is a rear elevational view thereof;
FIG. 4 is a left side elevational view thereof;
FIG. 5 is a right side elevational view thereof;
FIG. 6 is a top plan view thereof; and,
FIG. 7 is a bottom plan view thereof.

1 Claim, 7 Drawing Sheets



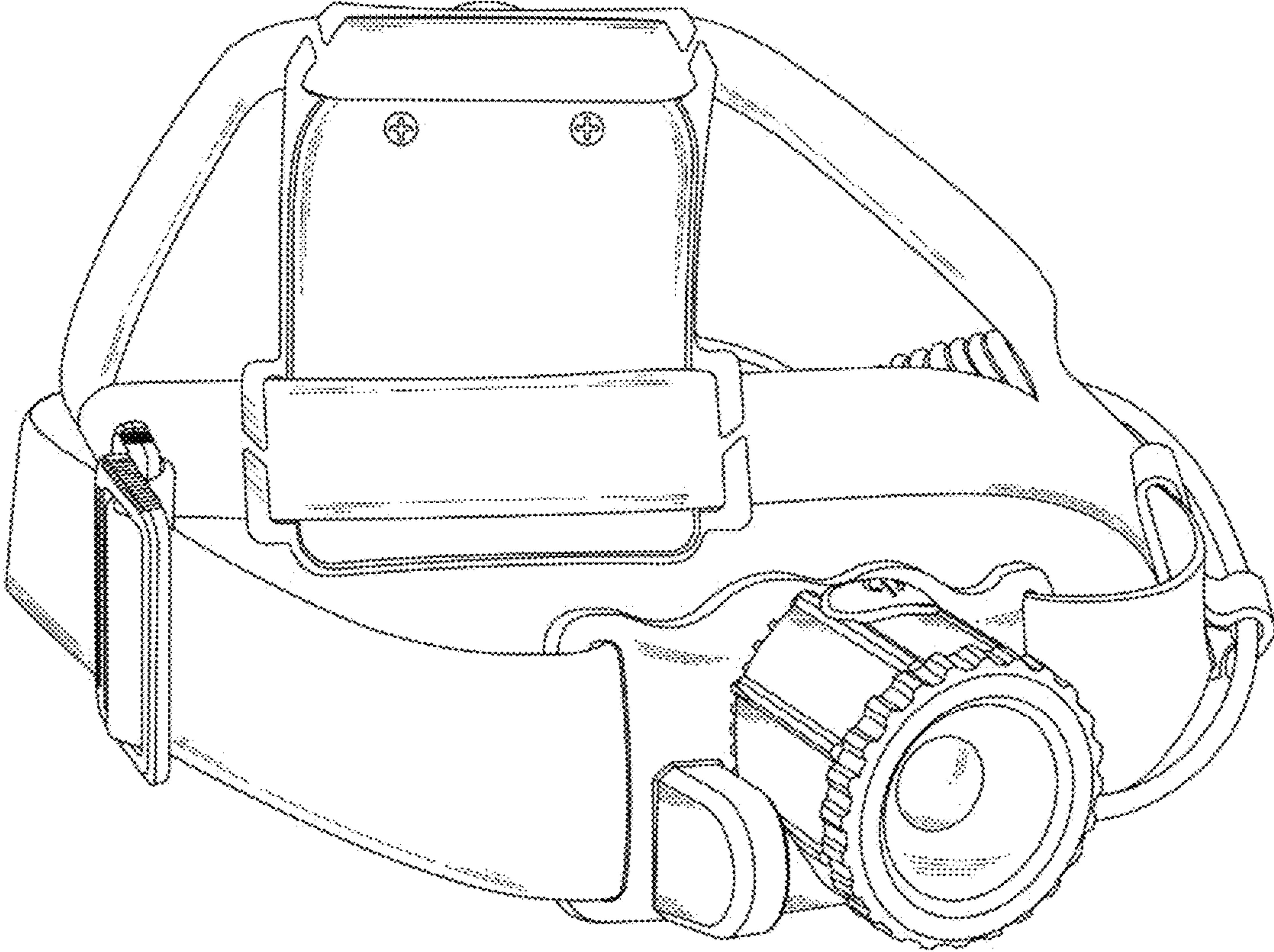


FIG.1

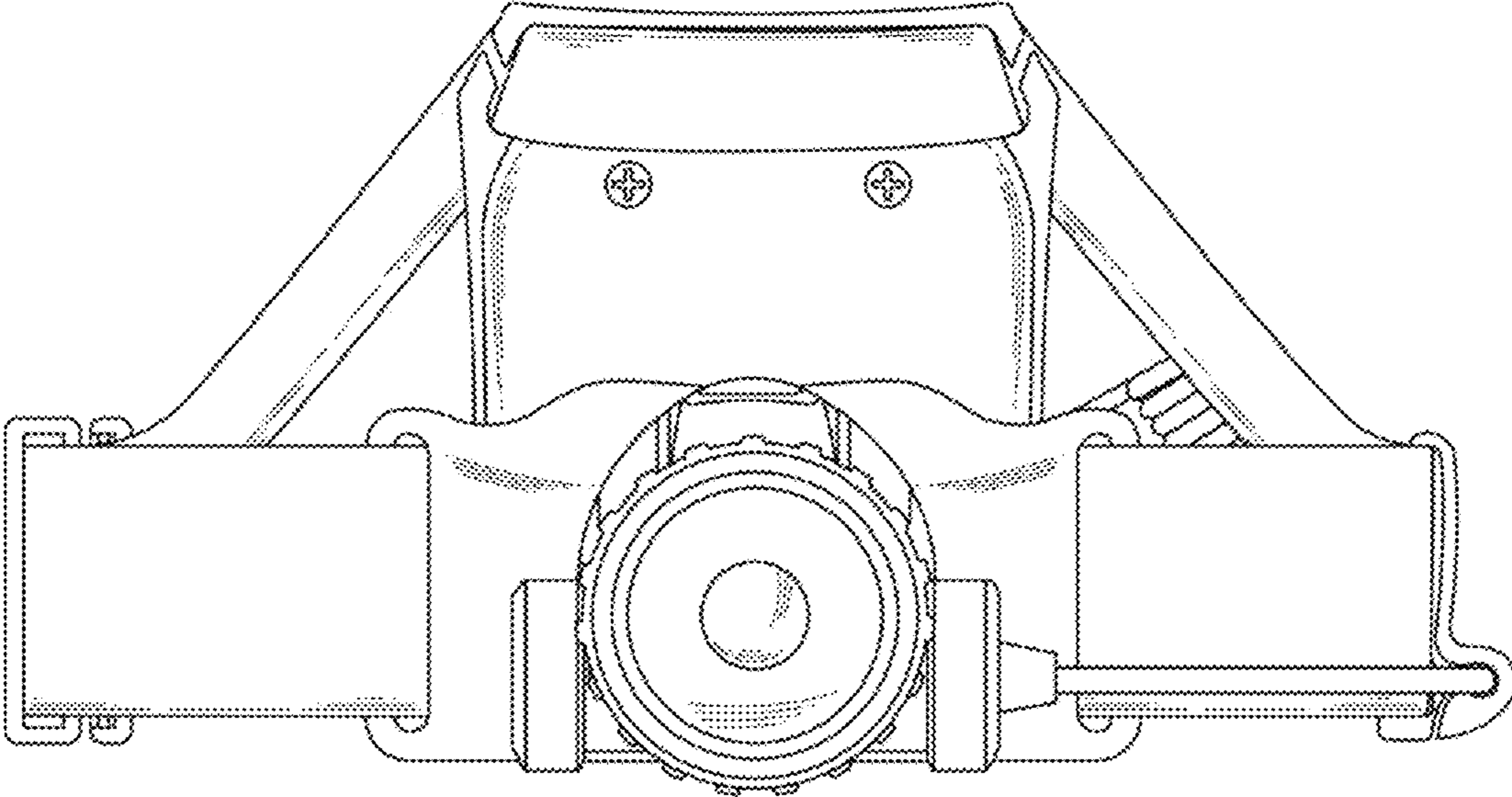


FIG.2

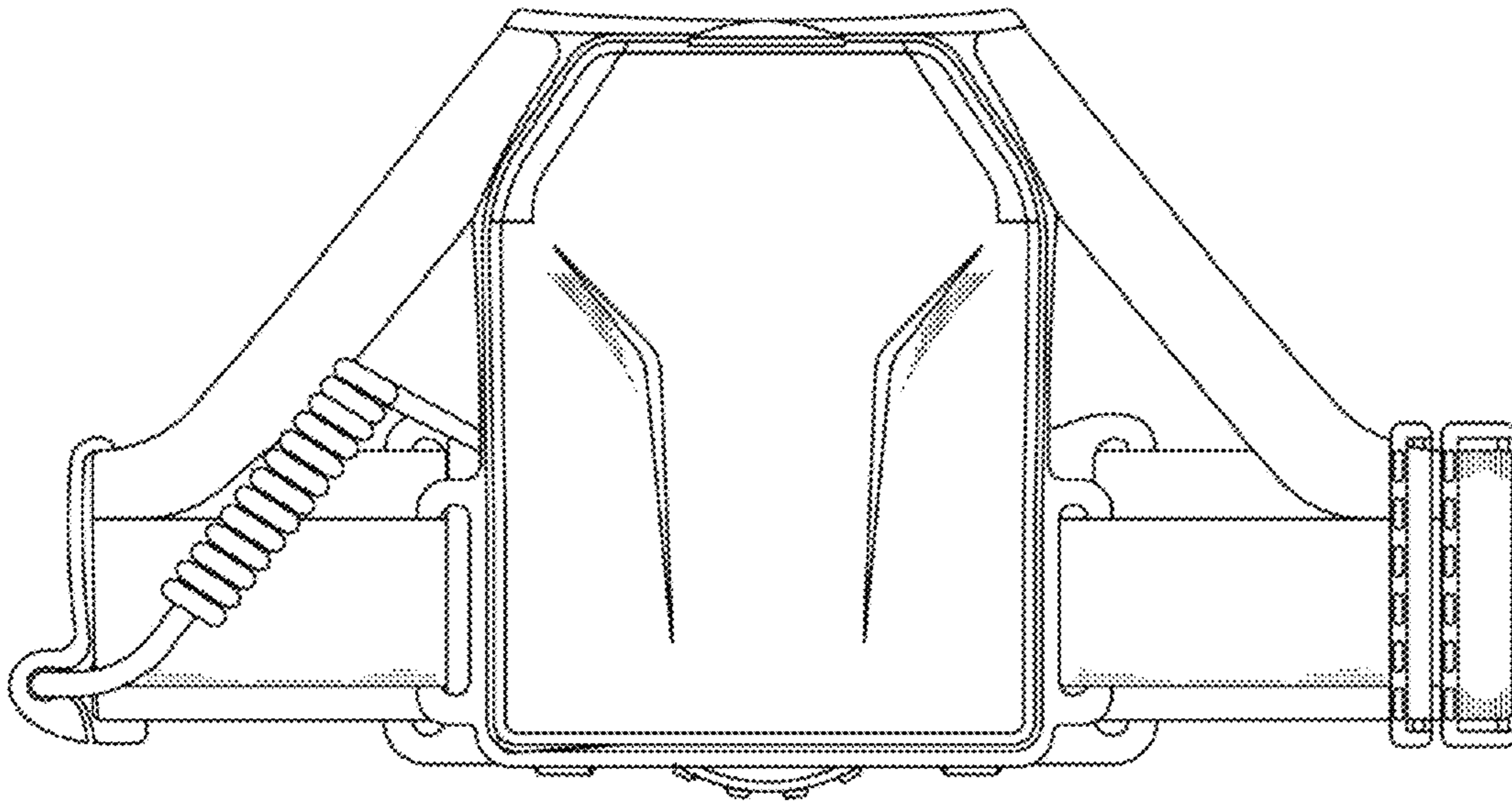


FIG.3

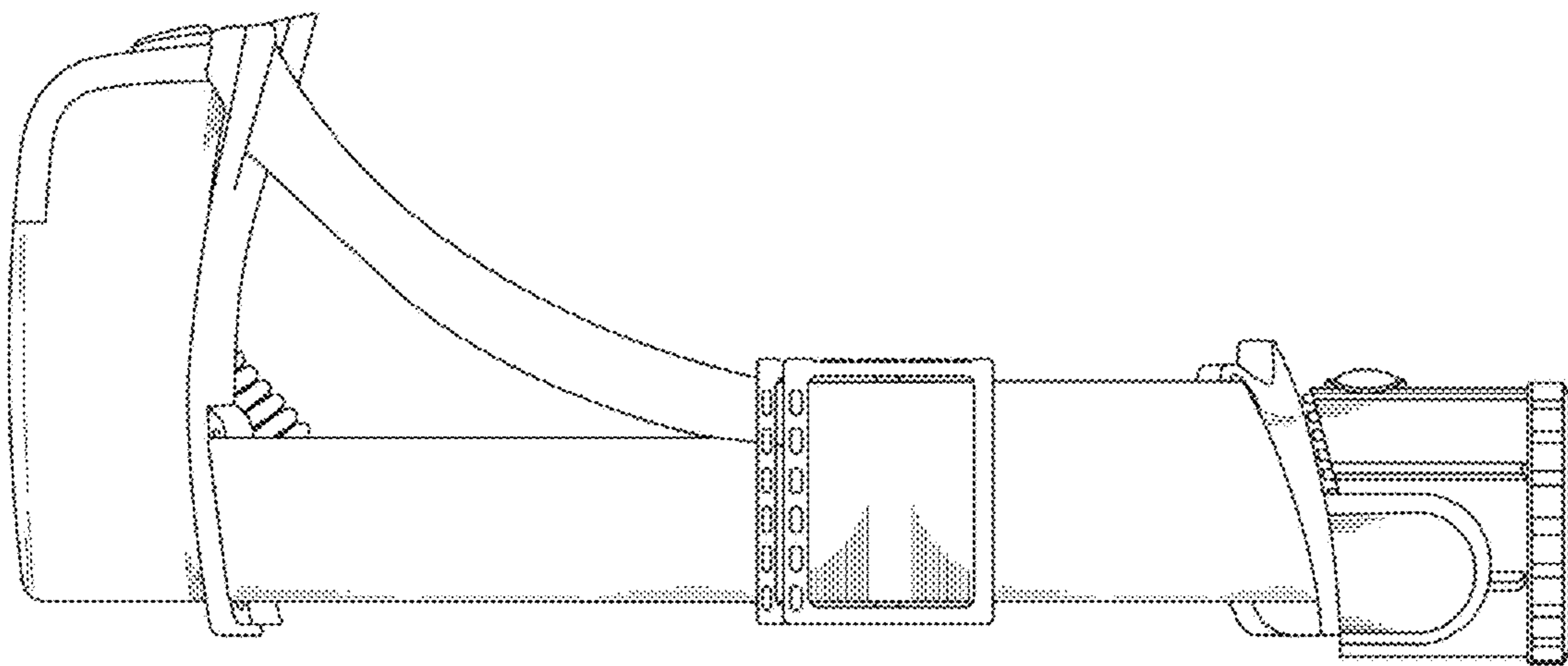


FIG.4

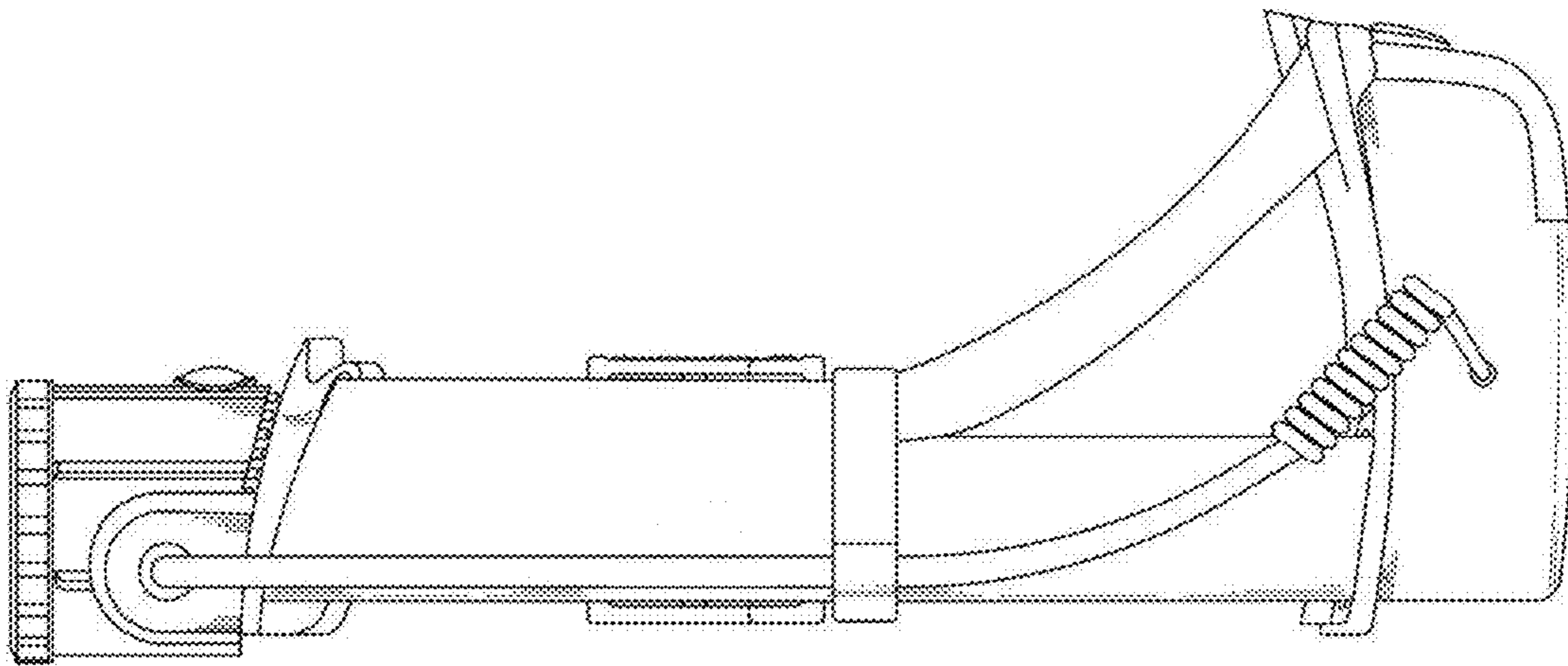


FIG. 5

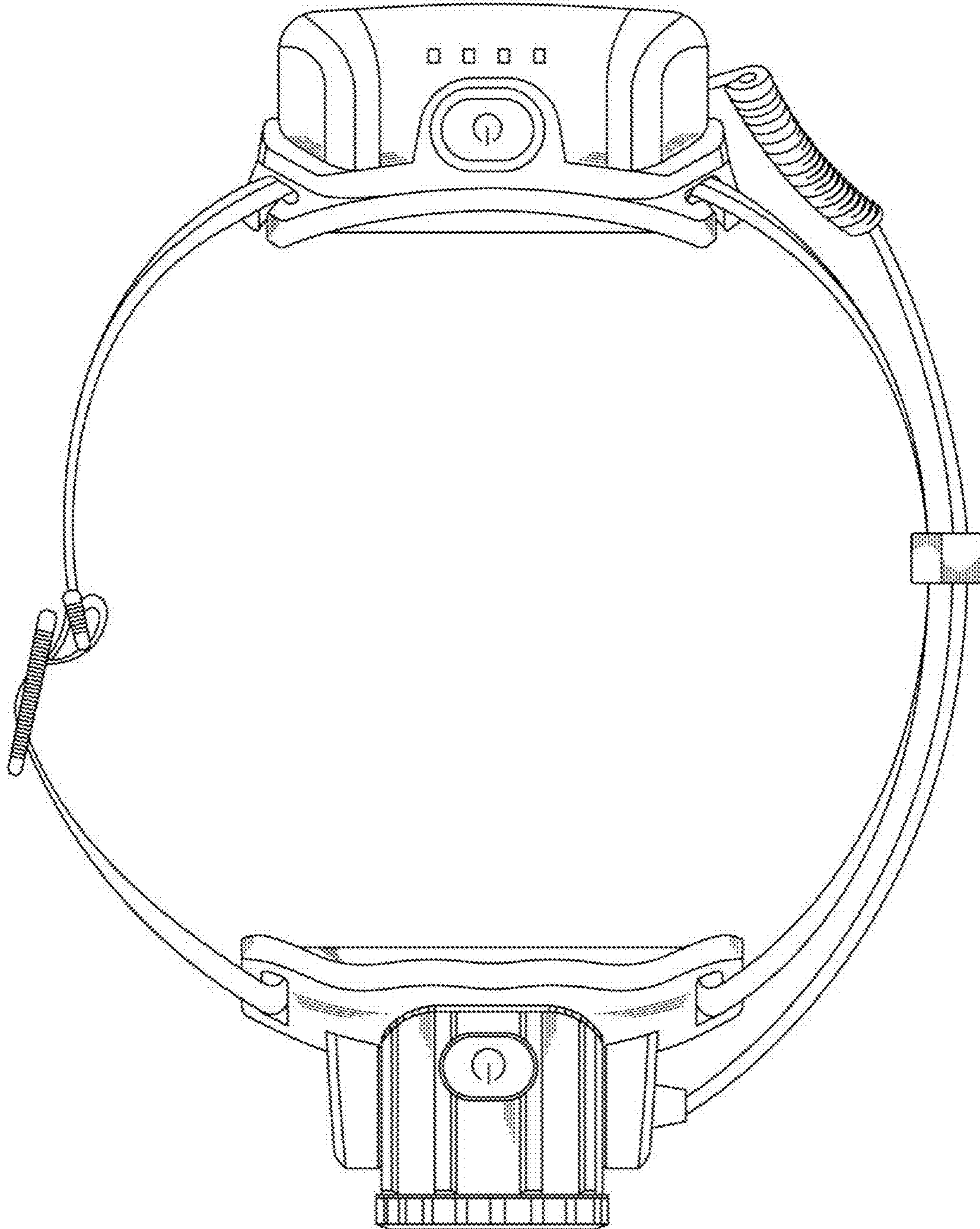


FIG.6

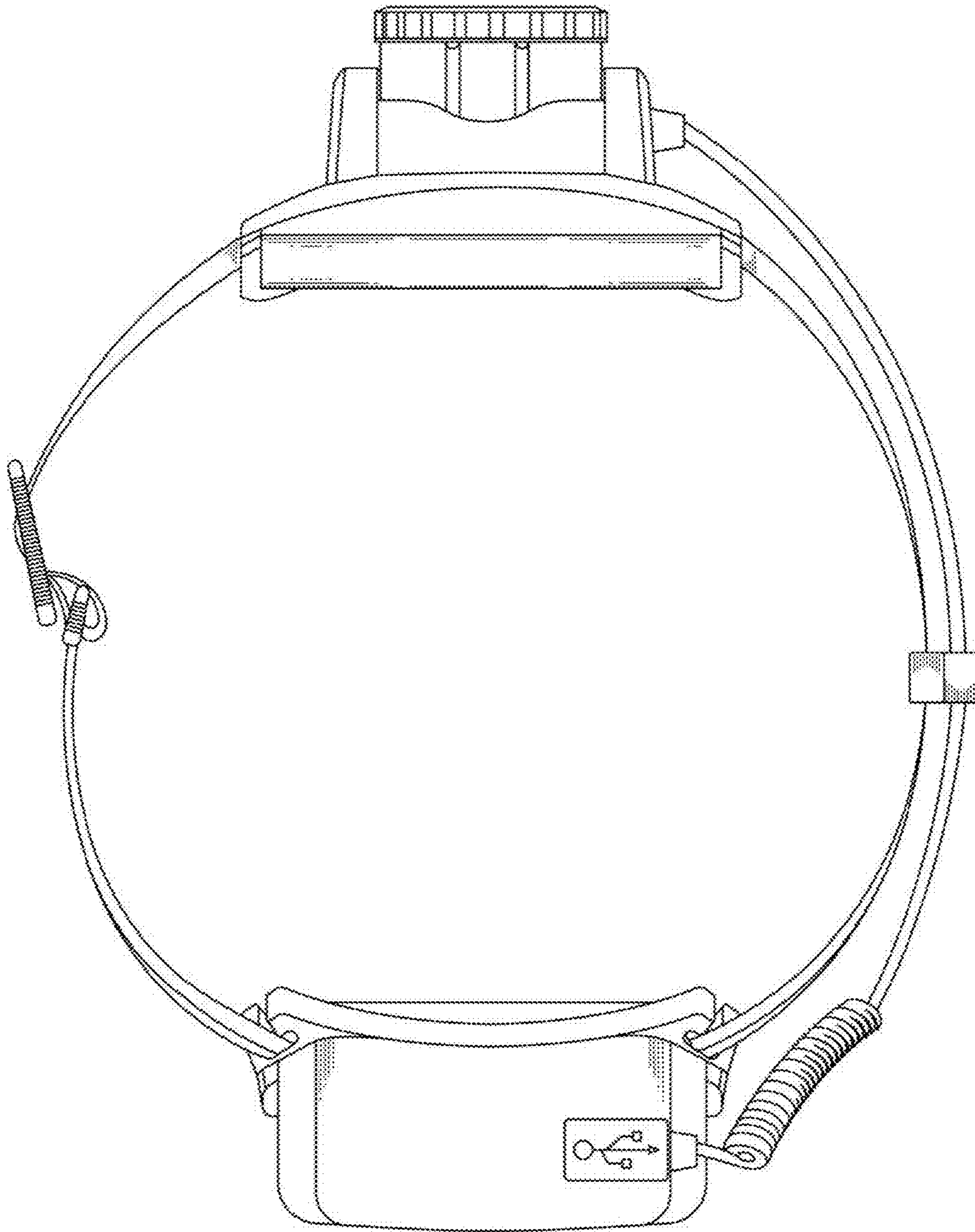


FIG.7