



US00D843035S

(12) **United States Design Patent**  
**Pontano**

(10) **Patent No.:** **US D843,035 S**  
(45) **Date of Patent:** **\*\* Mar. 12, 2019**

- (54) **HEADLAMP**
- (71) Applicant: **Industrial Revolution, Inc.**, Tukwila, WA (US)
- (72) Inventor: **Peter Pontano**, Seattle, WA (US)
- (73) Assignee: **Industrial Revolutions, Inc.**, Tukwila, WA (US)
- (\*\*) Term: **15 Years**
- (21) Appl. No.: **29/550,376**
- (22) Filed: **Jan. 3, 2016**
- (51) **LOC (11) Cl.** ..... **26-02**
- (52) **U.S. Cl.**  
USPC ..... **D26/39**
- (58) **Field of Classification Search**  
USPC ..... D26/39, 40, 37, 38, 41, 42, 44, 46, 48, D26/49; 396/29; D16/200, 211; 2/422  
CPC . A42B 3/044; A42B 3/04; F21L 15/14; F21L 11/00; B63C 9/20  
See application file for complete search history.

(56) **References Cited**

**U.S. PATENT DOCUMENTS**

D208,423 S *	8/1967	Ota	.....	D10/114.1
3,906,216 A *	9/1975	Eriksson	.....	F21L 15/14 24/115 H
4,400,763 A *	8/1983	Kribs	.....	F21L 11/00 362/103
5,255,168 A *	10/1993	Stevens	.....	F21L 4/04 362/103
D405,202 S *	2/1999	Fattori	.....	D26/39
D465,043 S *	10/2002	Halasz	.....	D26/39
D503,817 S *	4/2005	Shiu	.....	D26/39
D504,695 S *	5/2005	Shimobayashi	.....	D16/202
D520,162 S *	5/2006	Shiu	.....	D26/39
D525,734 S *	7/2006	Shiao	.....	D26/39
D556,927 S *	12/2007	Shiu	.....	D26/39
D583,971 S *	12/2008	Castellucci	.....	D26/39

7,577,345 B2 *	8/2009	Tei	.....	G03B 17/08 396/26
7,611,255 B1 *	11/2009	Lagassey	.....	A42B 1/244 362/103
7,699,485 B1 *	4/2010	Lagassey	.....	A41D 1/002 362/103

(Continued)

**FOREIGN PATENT DOCUMENTS**

EM 003260884-0003 \* 10/2016

*Primary Examiner* — Lakiya G Rogers

*Assistant Examiner* — Altaira J Swangin

(74) *Attorney, Agent, or Firm* — DWC Law Firm, P.S.;  
David Chen

(57) **CLAIM**

The ornamental design for a headlamp, as shown and described.

**DESCRIPTION**

FIG. 1 is a top perspective view of a headlamp according to the present disclosure.

FIG. 2 is a bottom perspective view thereof.

FIG. 3 is a front side elevation view thereof.

FIG. 4 is a back side elevation view thereof.

FIG. 5 is a left side elevation view thereof.

FIG. 6 is a right side elevation view thereof.

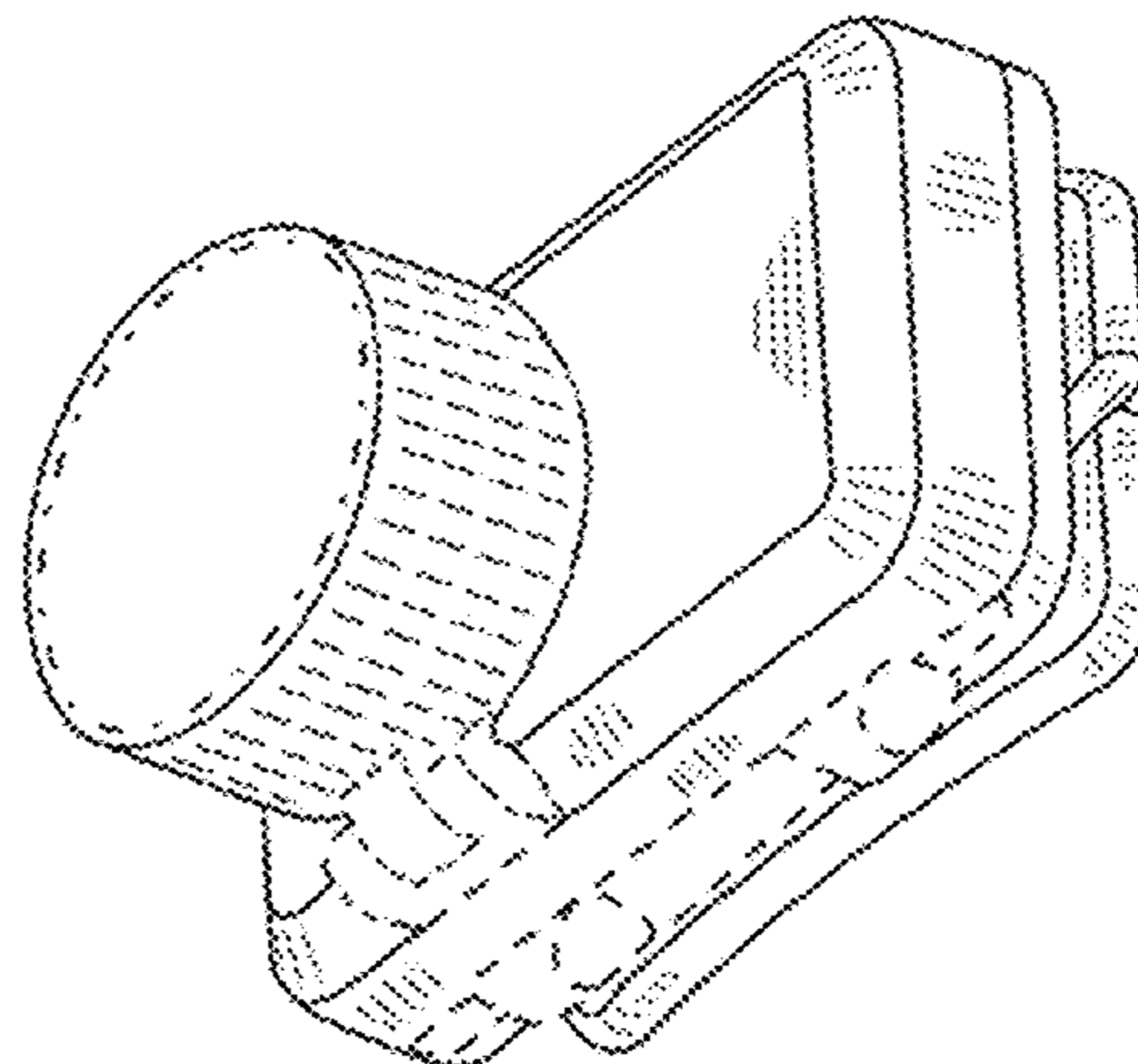
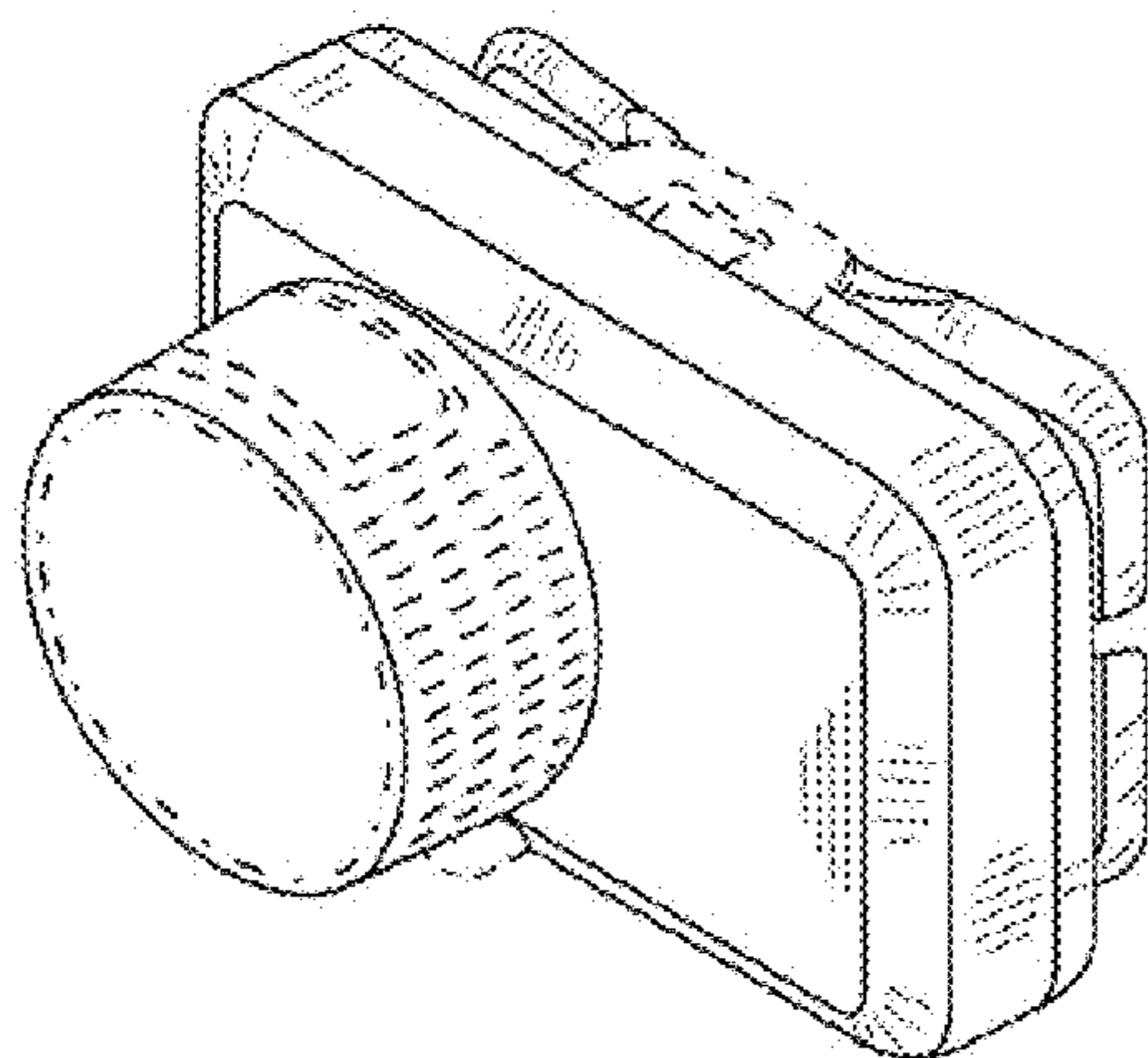
FIG. 7 is a top plan view thereof.

FIG. 8 is a bottom plan view thereof; and,

FIG. 9 is a top perspective view thereof showing a head strap to which the headlamp can be attached.

The broken lines form no part of the claimed design. The even broken lines show portions of the headlamp which form no part of the claim. The uneven broken lines show boundaries which form no part of the claim. In FIGS. 1-3, the unshaded region immediately outside of the uneven broken lines, bounded by the circular perimeter, is a part of the claimed design.

**1 Claim, 5 Drawing Sheets**



(56)

References Cited

U.S. PATENT DOCUMENTS

8,172,419 B1 *	5/2012	Gasparre	.....	F21L 4/005					
				362/103					
8,197,083 B2 *	6/2012	Halasz	.....	F21L 4/00					
				362/187					
8,370,967 B2 *	2/2013	Chen	.....	A42B 3/145					
				2/414					
8,374,495 B2 *	2/2013	Yim	.....	G03B 17/02					
				348/81					
D683,489 S *	5/2013	Lee	.....	D26/39					
D696,803 S *	12/2013	Kingston	.....	D26/39					
D707,868 S *	6/2014	Lee	.....	D26/39					
D712,579 S *	9/2014	Cen	.....	D26/39					
D715,846 S *	10/2014	Troxel	.....	D16/202					
D715,982 S *	10/2014	Windom	.....	D26/39					
D724,248 S *	3/2015	Brands	.....	D26/39					
D729,297 S *	5/2015	Ikegame	.....	D16/202					
9,068,728 B1 *	6/2015	Lee	.....	F21V 14/085					
D747,387 S *	1/2016	Swen	.....	D16/211					
D750,823 S *	3/2016	Sharrah	.....	D26/39					
9,285,105 B2 *	3/2016	Sharrah	.....	F21V 21/084					
D762,899 S *	8/2016	Green	.....	D26/39					
D763,941 S *	8/2016	Smith	.....	D16/200					
9,476,574 B2 *	10/2016	Murano	.....	F21L 4/00					
D793,463 S *	8/2017	Houin	.....	D16/202					
D794,105 S *	8/2017	Liu	.....	D16/202					
D800,200 S *	10/2017	Abe	.....	D16/202					
					D812,278 S *	3/2018	Pontano	.....	D26/39
					D825,641 S *	8/2018	Sakai	.....	D16/219
					D826,442 S *	8/2018	Waldmann	.....	D26/60
					10,042,236 B2 *	8/2018	Oki	.....	G03B 19/02
					2002/0034073 A1 *	3/2002	Halasz	.....	F21L 4/00
									362/197
					2005/0128735 A1 *	6/2005	Atkins	.....	A61B 3/12
									362/105
					2007/0019948 A1 *	1/2007	Terada	.....	G03B 17/04
									396/349
					2008/0316734 A1 *	12/2008	Spartano	.....	F21L 14/00
									362/105
					2009/0208198 A1 *	8/2009	Khuntia	.....	G03B 15/06
									396/174
					2012/0008309 A1 *	1/2012	Hale	.....	F21L 4/06
									362/105
					2013/0258686 A1 *	10/2013	Ford	.....	F21V 21/0885
									362/396
					2013/0301242 A1 *	11/2013	Sharrah	.....	F21V 21/084
									362/105
					2014/0035459 A1 *	2/2014	Windom	.....	H05B 33/0842
									315/33
					2014/0362561 A1 *	12/2014	Faircloth	.....	G02C 11/04
									362/103
					2016/0146443 A1 *	5/2016	Steiner	.....	F21V 23/001
									362/105
					2016/0269667 A1 *	9/2016	Ono	.....	G03B 17/00
					2018/0209618 A1 *	7/2018	Pontano	.....	A42B 3/145

\* cited by examiner



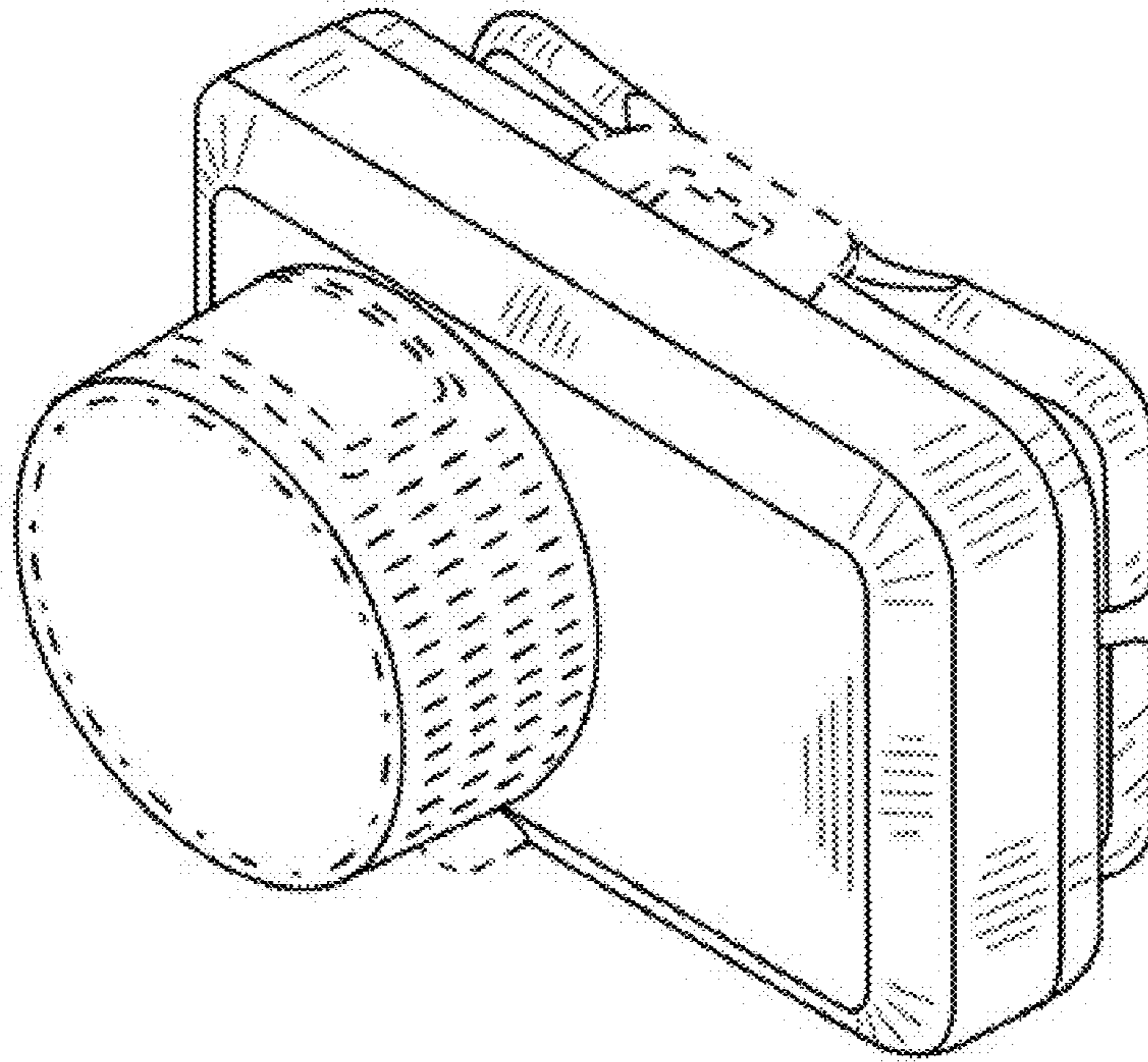


FIG. 1

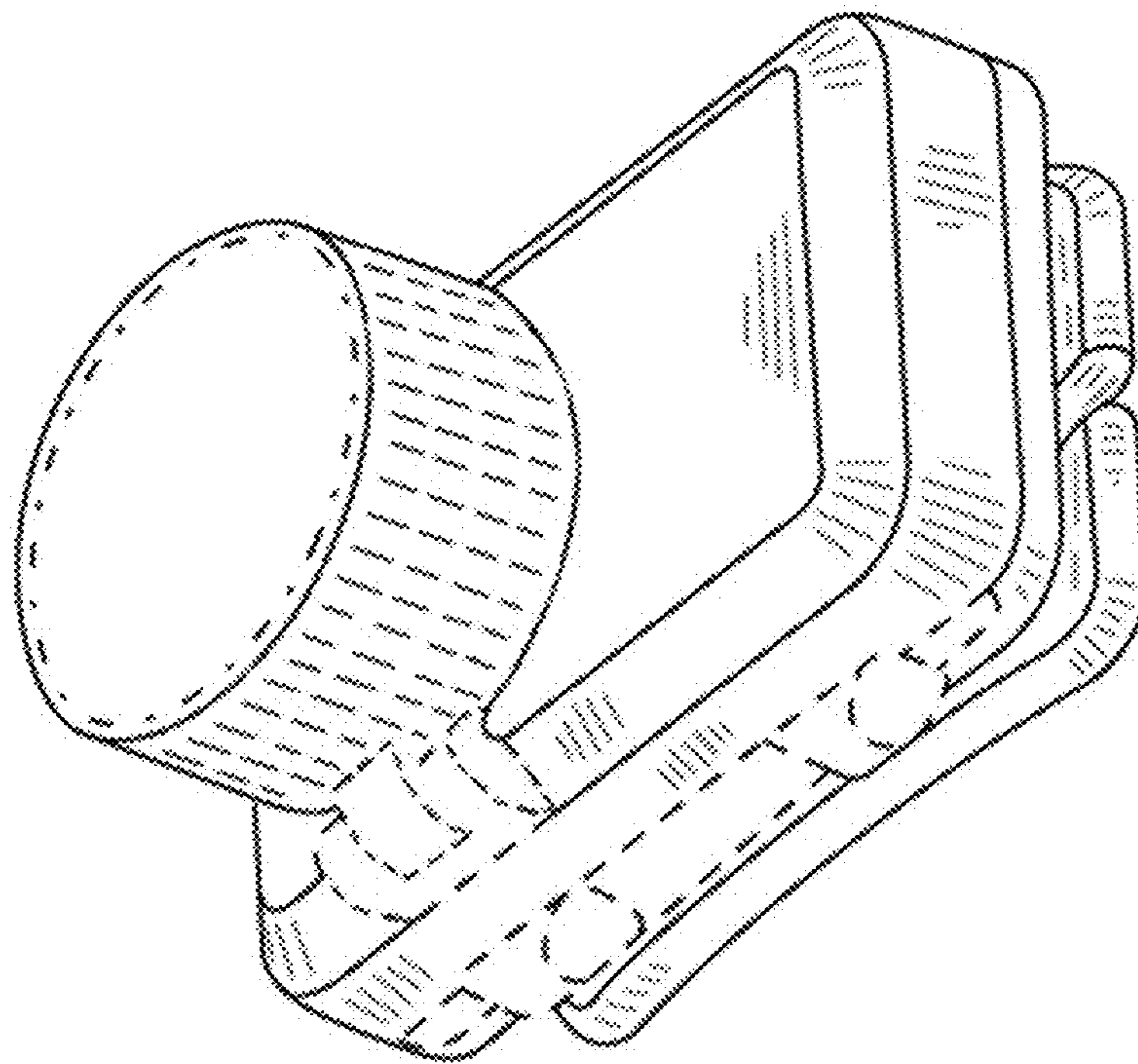


FIG. 2

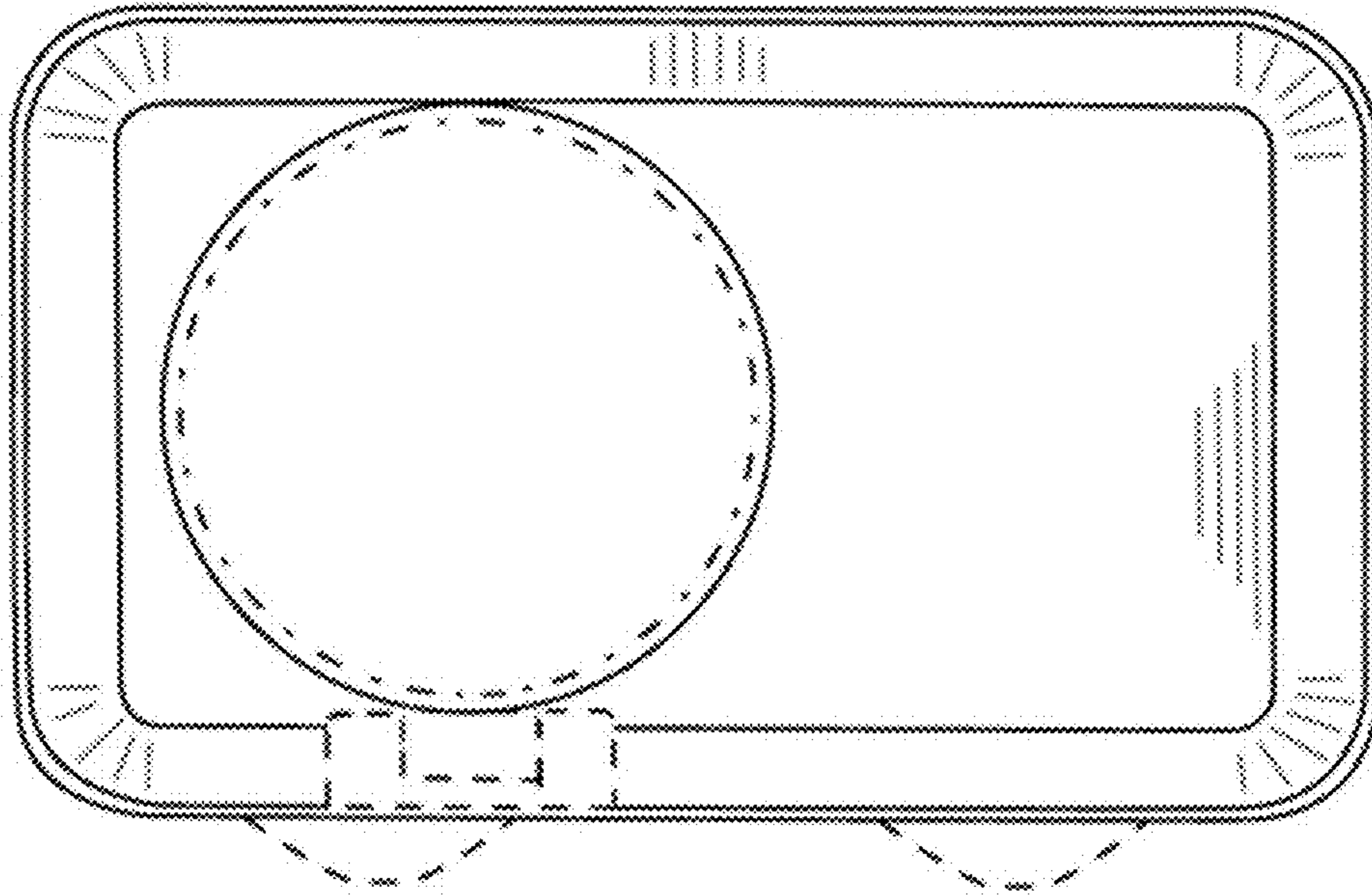


FIG. 3

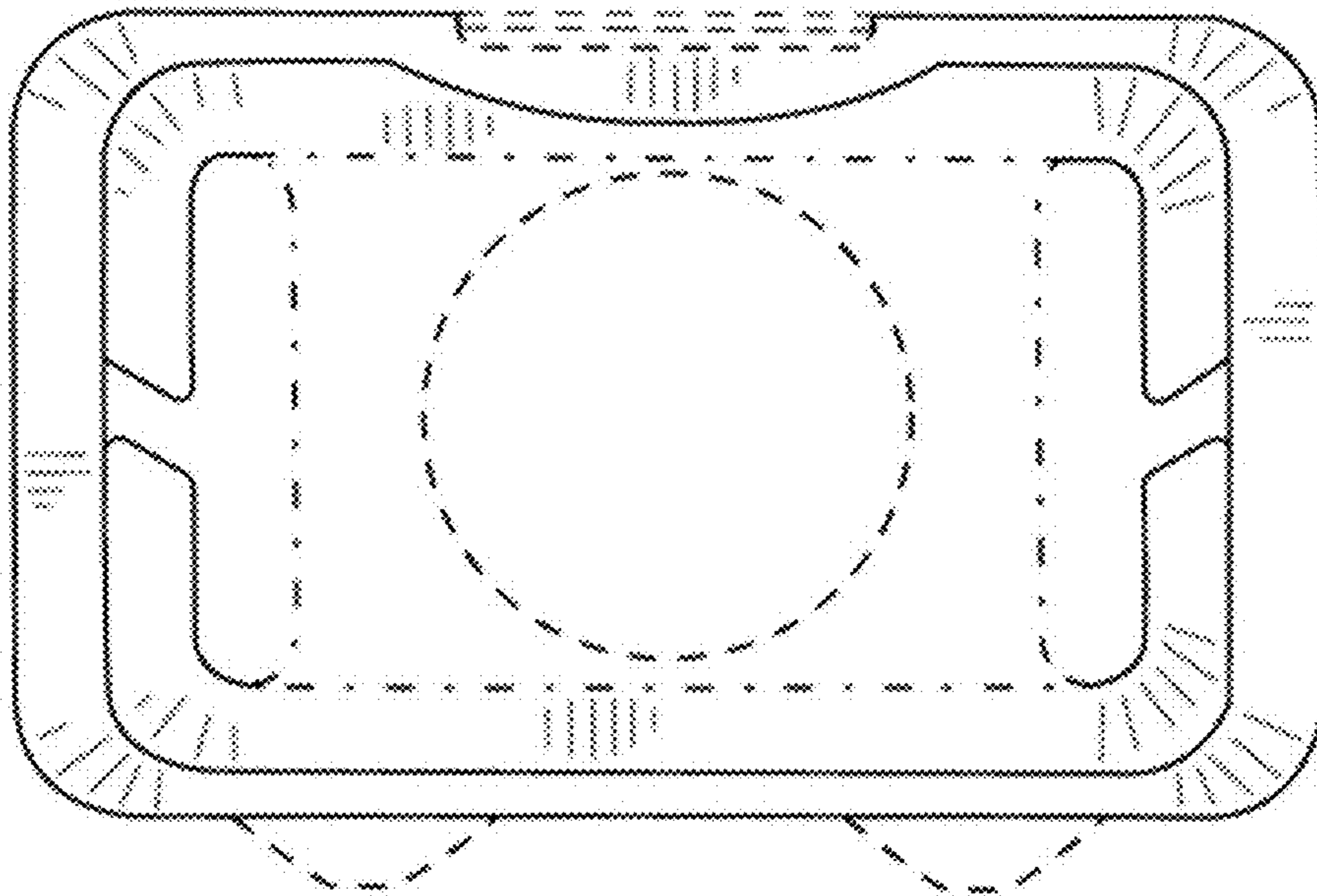


FIG. 4

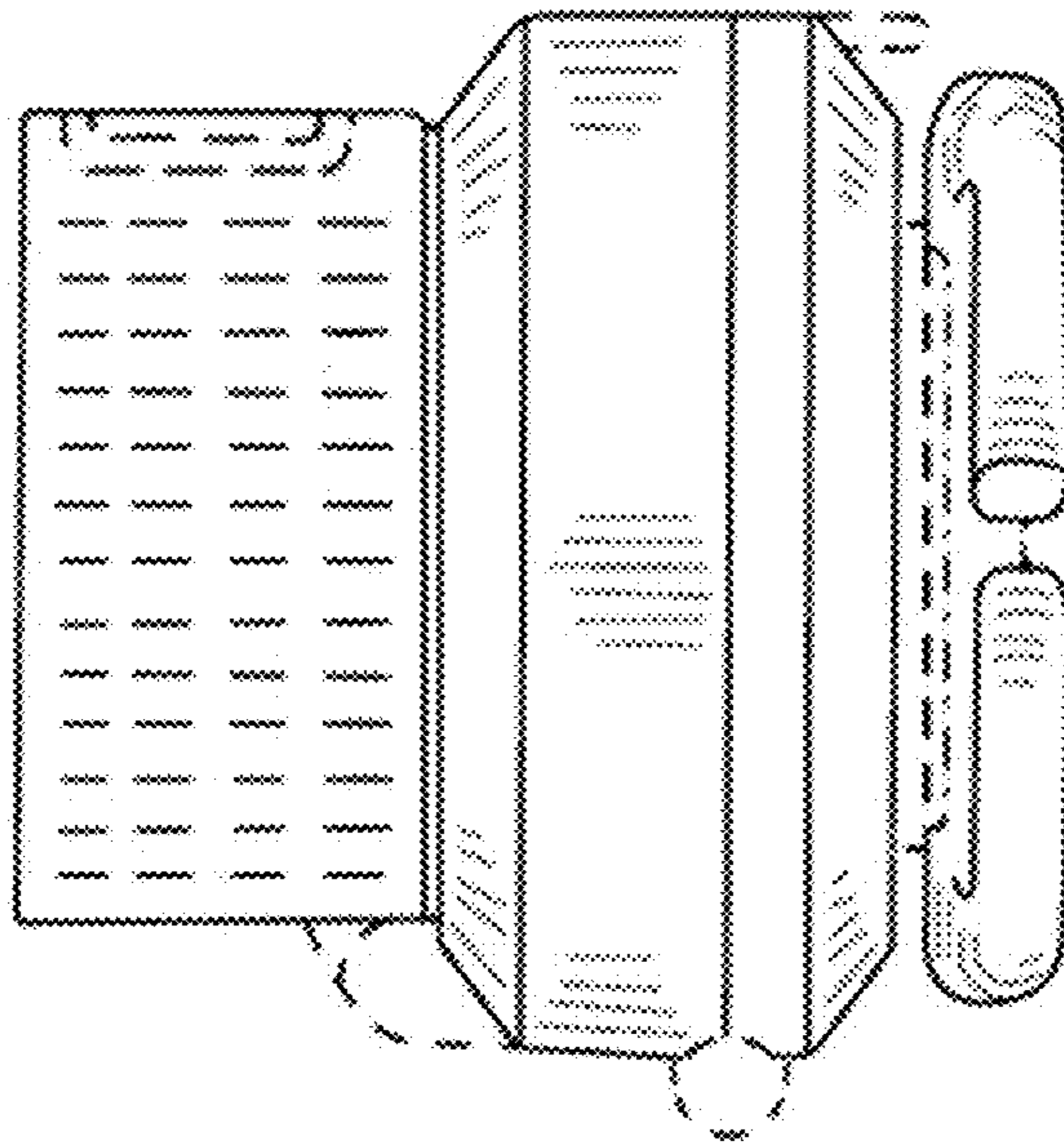


FIG. 5

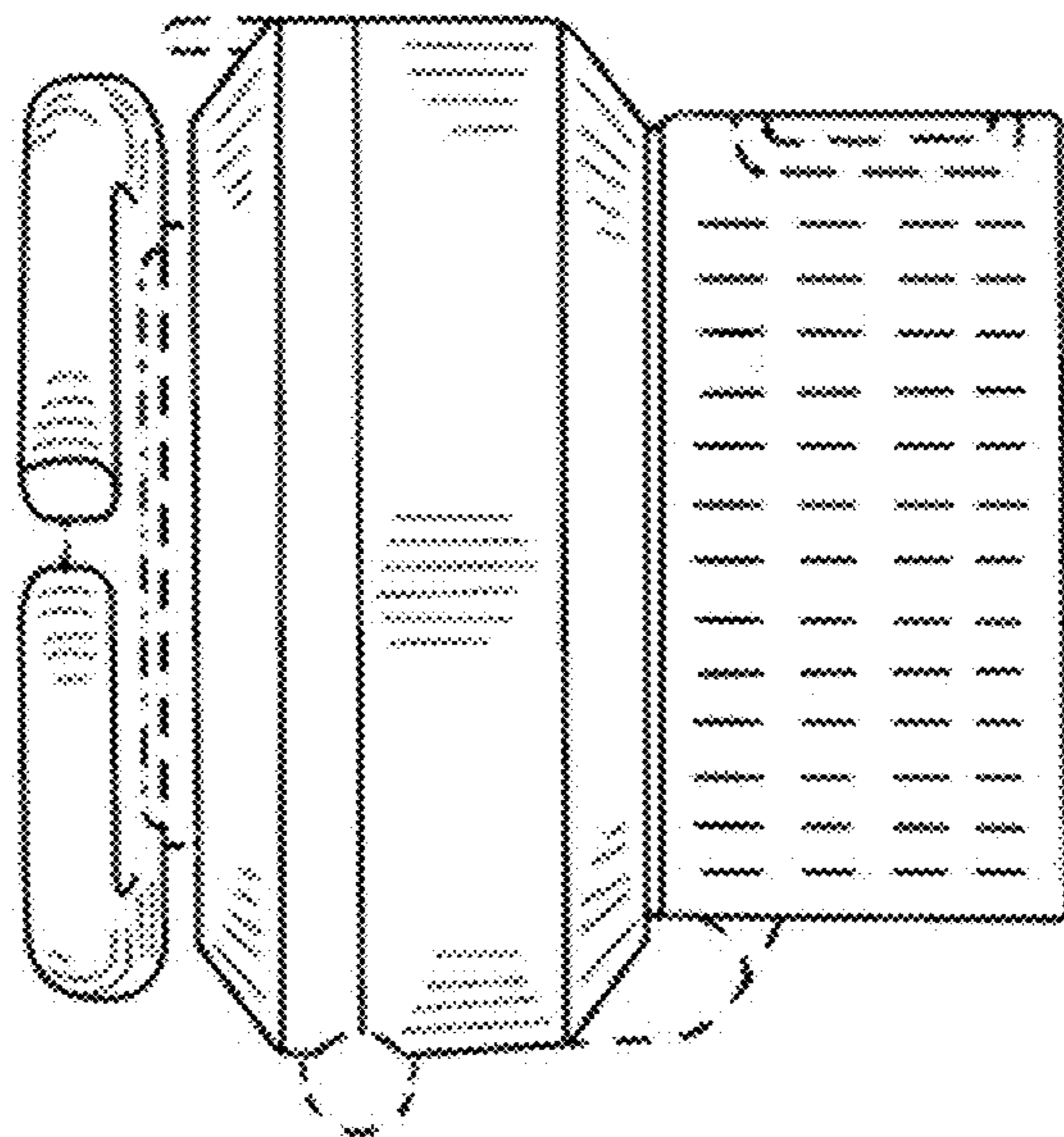


FIG. 6



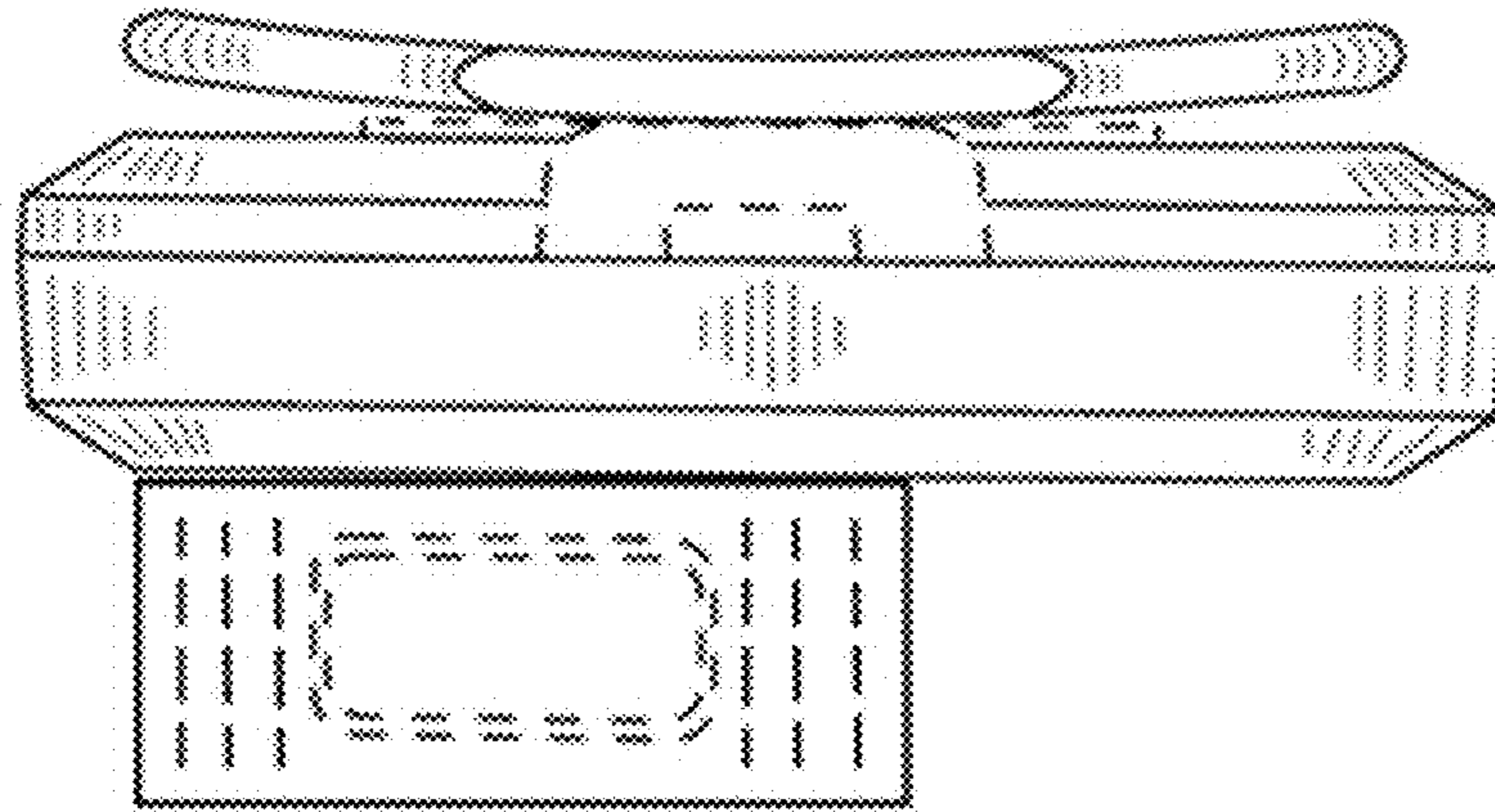


FIG. 7

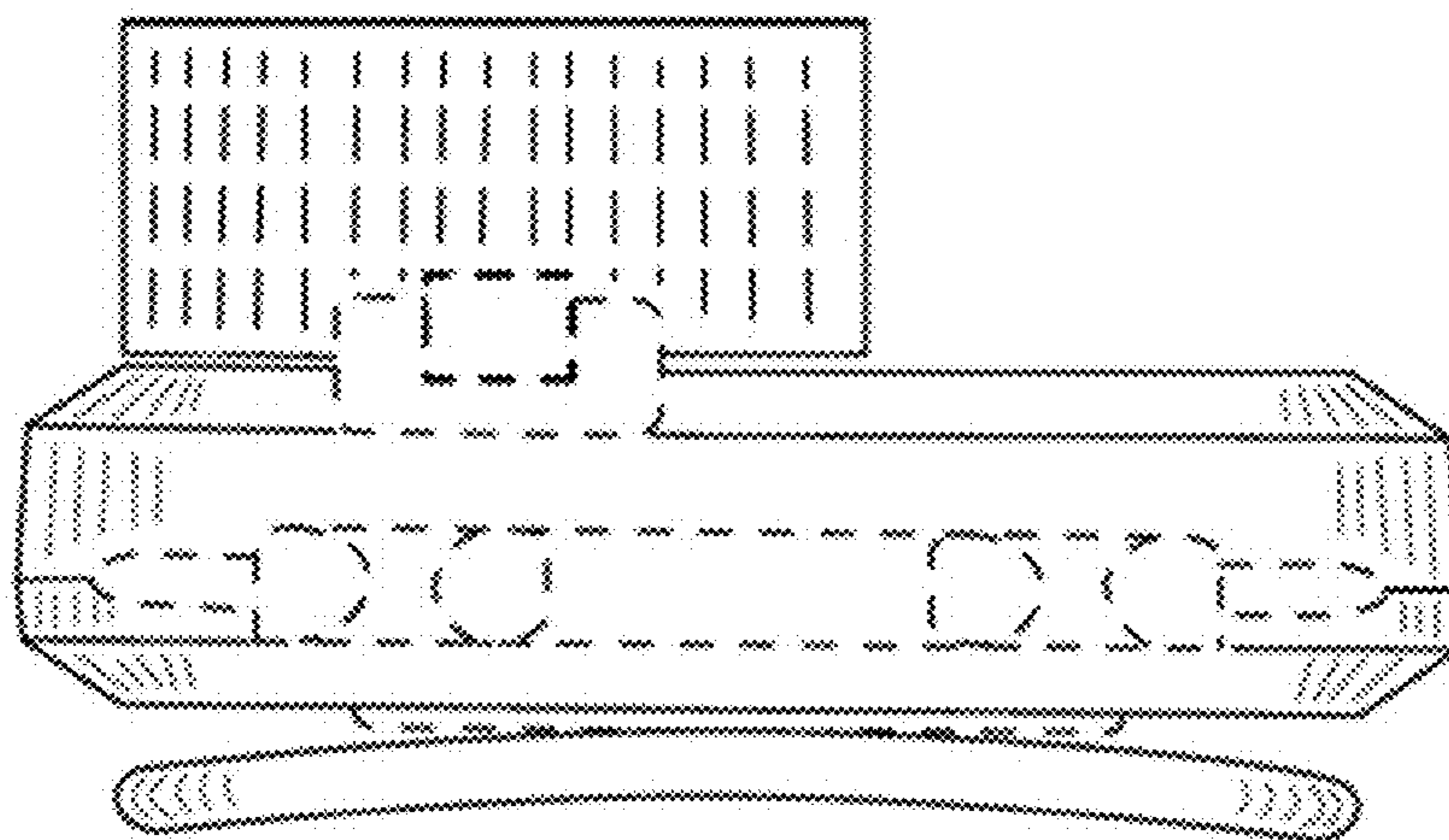


FIG. 8

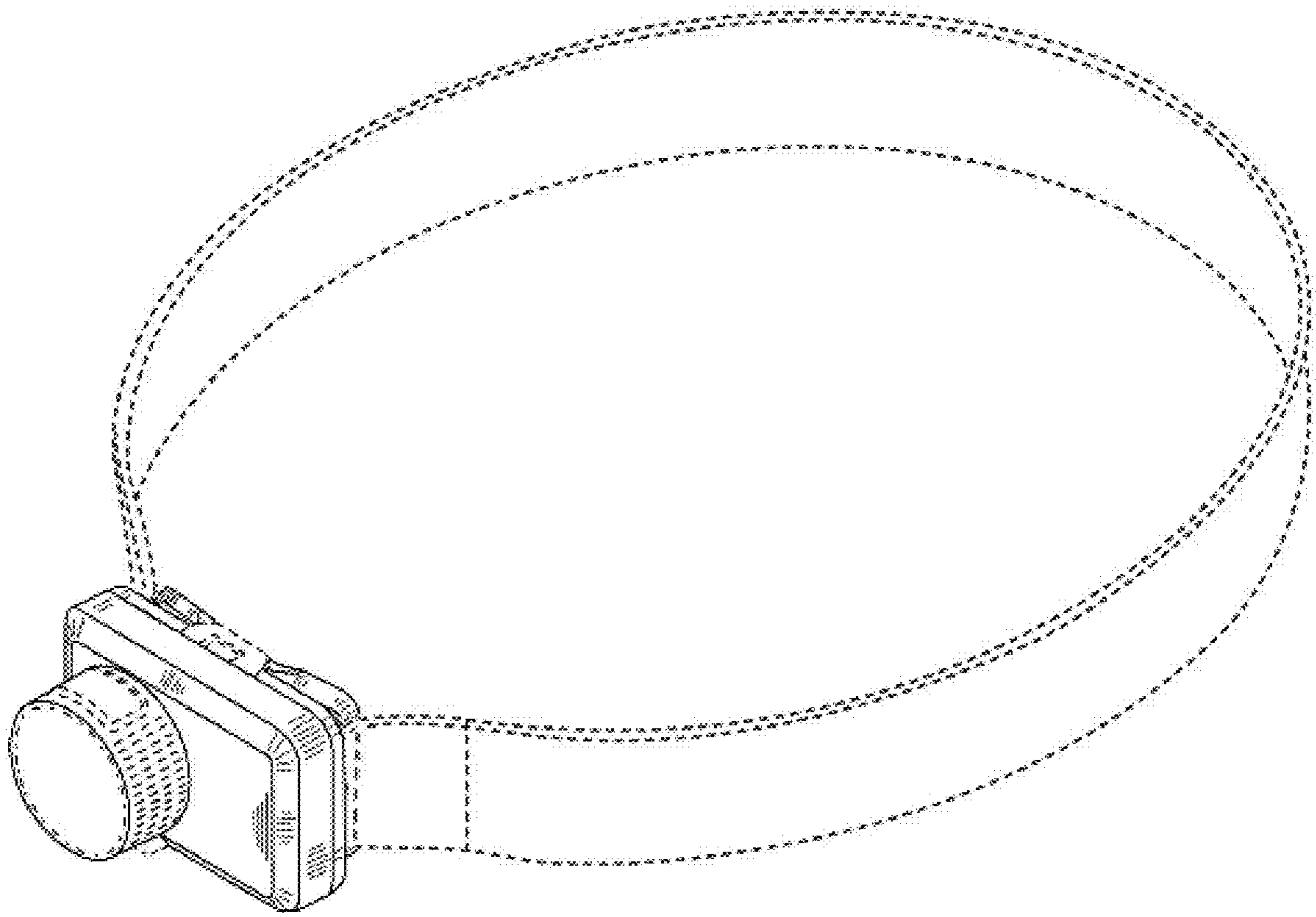


FIG. 9