



US00D843026S

(12) **United States Design Patent**
Zhang et al.

(10) **Patent No.:** **US D843,026 S**
(45) **Date of Patent:** **** Mar. 12, 2019**

(54) **HEADLAMP FOR AN AUTOMOBILE**

D805,664 S * 12/2017 Morgenstern D26/28
D812,791 S * 3/2018 Wu D26/28
D816,875 S * 5/2018 Kong D26/28

(71) Applicant: **Nissan Motor Co., Ltd.**, Yokohama,
Kanagawa (JP)

(Continued)

(72) Inventors: **Xiao Kang Zhang**, Beijing (CN); **Yu Chia Hsu**, Kanagawa (JP)

Primary Examiner — Angela J Lee

(73) Assignee: **Nissan Motor Co., Ltd.**, Yokohama
(JP)

(57) **CLAIM**

The ornamental design for a headlamp for an automobile, as shown and described.

(**) Term: **15 Years**

DESCRIPTION

(21) Appl. No.: **29/607,035**

FIG. 1 is an outside elevational view of a headlamp for an automobile in accordance with a first embodiment of our new design;

(22) Filed: **Jun. 9, 2017**

FIG. 2 is an inside elevational view thereof;

(30) **Foreign Application Priority Data**

Dec. 12, 2016 (JP) 2016-026860

FIG. 3 is a top plan view thereof;

(51) **LOC (11) Cl.** **26-07**

FIG. 4 is a bottom plan view thereof;

(52) **U.S. Cl.**
USPC **D26/28**

FIG. 5 is a front side elevational view thereof;

(58) **Field of Classification Search**
USPC D26/28, 29, 30, 31, 32, 33, 34, 35, 36;
362/459–468, 475–478, 485–487
CPC F21S 48/00; F21S 48/10; F21S 48/115;
F21S 48/225; F21S 48/1233; F21S
48/1266; F21S 48/1388; F21S 48/2268;
F21V 21/04

FIG. 6 is a rear side elevational view thereof; and,
FIG. 7 is a front side perspective view thereof.

See application file for complete search history.

The headlamp for an automobile is configured to be mounted to an automobile. The mounting structure and support structure of the headlamp for an automobile, shown in broken lines in FIGS. 1 to 7, form no part of the claimed design since the mounting structure and support structure are hidden when the headlamp for an automobile is mounted to the automobile.

(56) **References Cited**

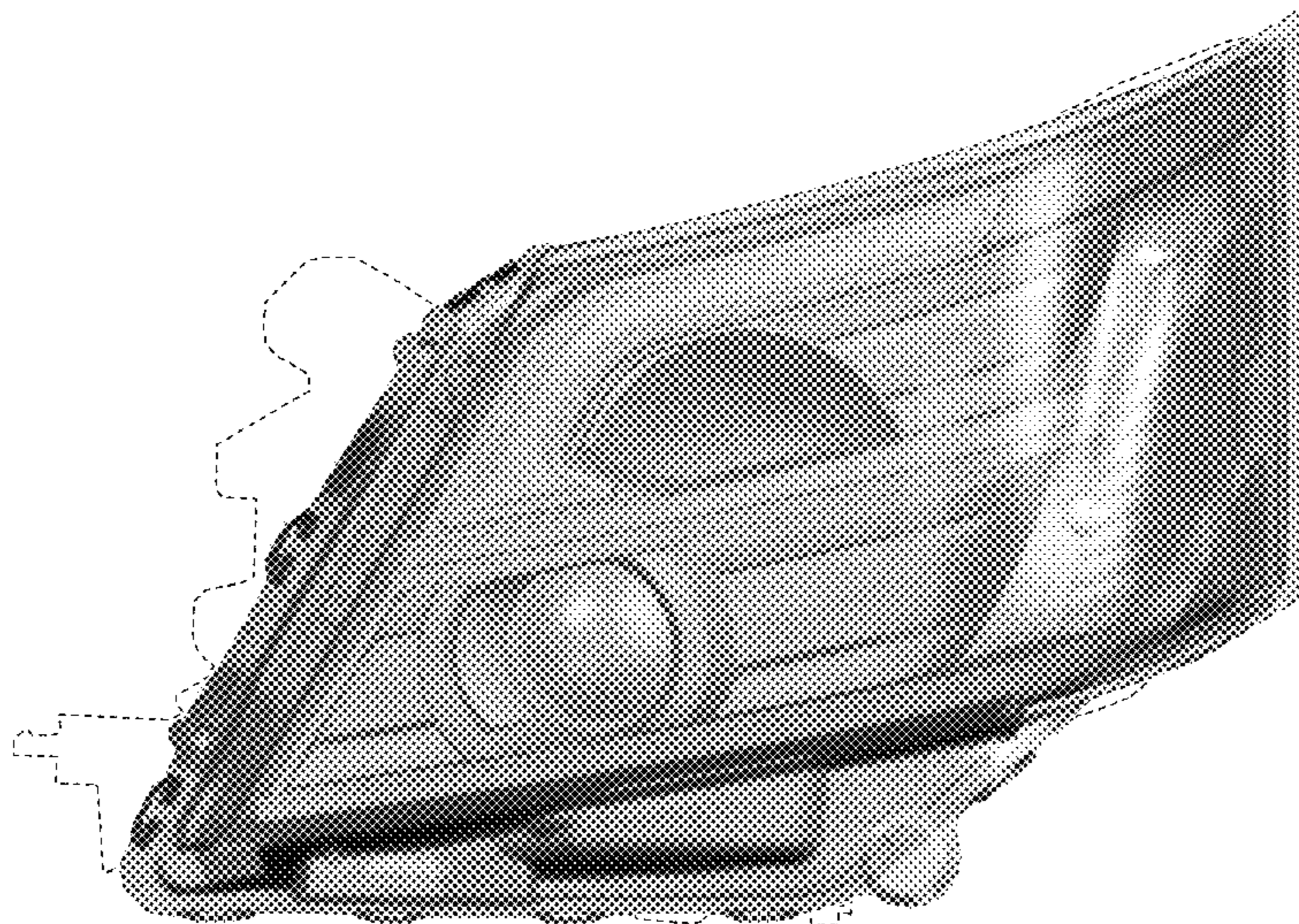
U.S. PATENT DOCUMENTS

D635,285 S * 3/2011 Chang D26/28
D708,367 S * 7/2014 Tajima D26/28
D747,821 S * 1/2016 Yoshida D26/28
D798,476 S * 9/2017 Lai D26/28
D801,564 S * 10/2017 Nakamura D26/28
D805,227 S * 12/2017 Morgenstern D26/28

In addition, the appearance of the rear side structures and inside structures of the headlamp for an automobile, as shown in broken lines in FIGS. 1 to 7 is for purpose of illustrating the boundaries of the exterior surface of the outside of the headlamp for an automobile, and forms no part of the claimed design. The headlamp for an automobile has a front lens that is transparent such that features behind the lens are at least partially visible as illustrated.

A second embodiment of our new design is identical to the first embodiment except that it is a mirror image. The second embodiment of our new design includes the mirror image of the headlamp for an automobile, as shown in FIGS. 1 to 7.

1 Claim, 7 Drawing Sheets



(56)

References Cited

U.S. PATENT DOCUMENTS

D819,849 S *	6/2018	Lin	D26/28
D823,497 S *	7/2018	Kim	D26/28
D826,436 S *	8/2018	Yamakawa	D26/28
D828,594 S *	9/2018	Huang	D26/28

* cited by examiner

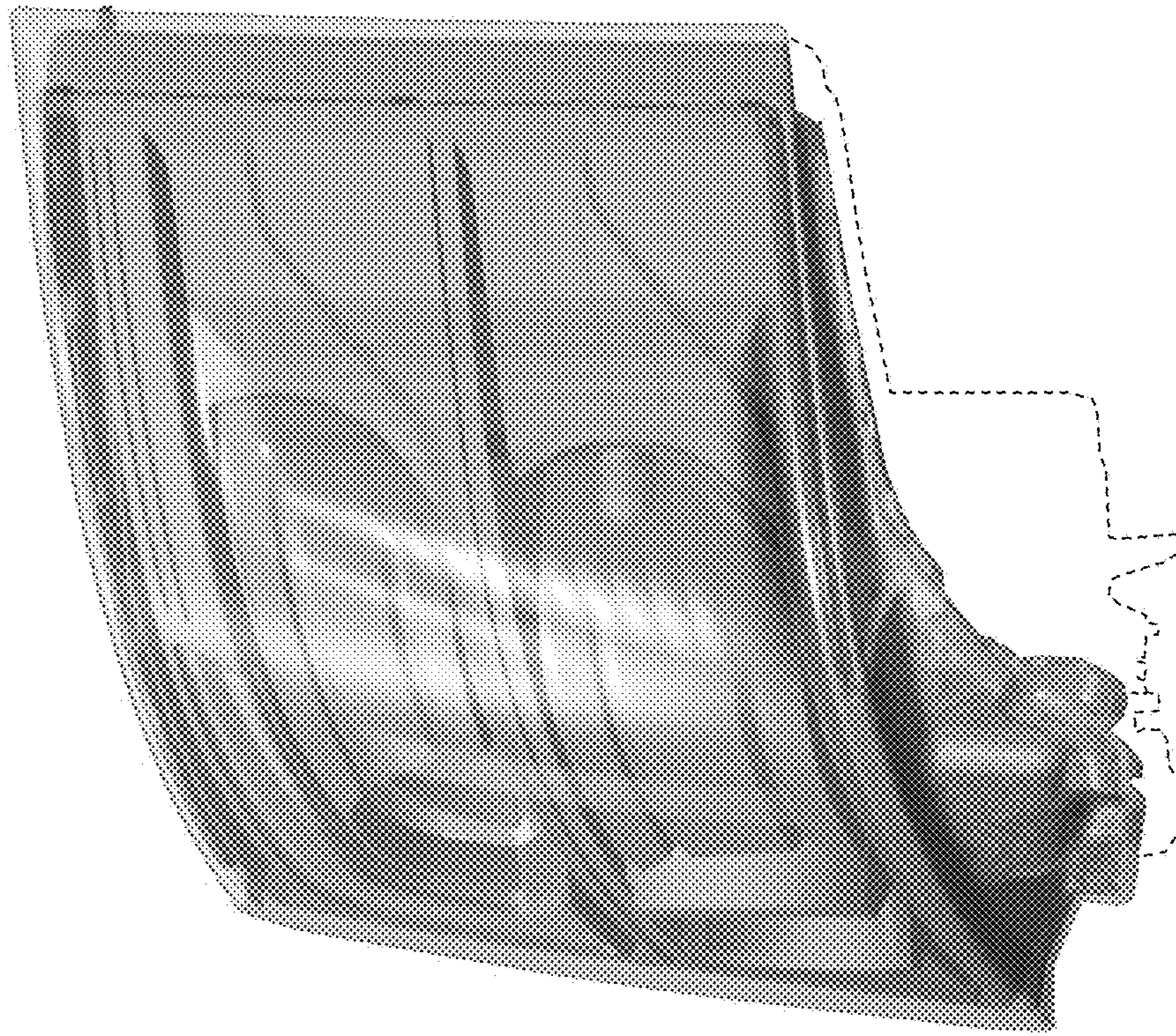


FIG. 1

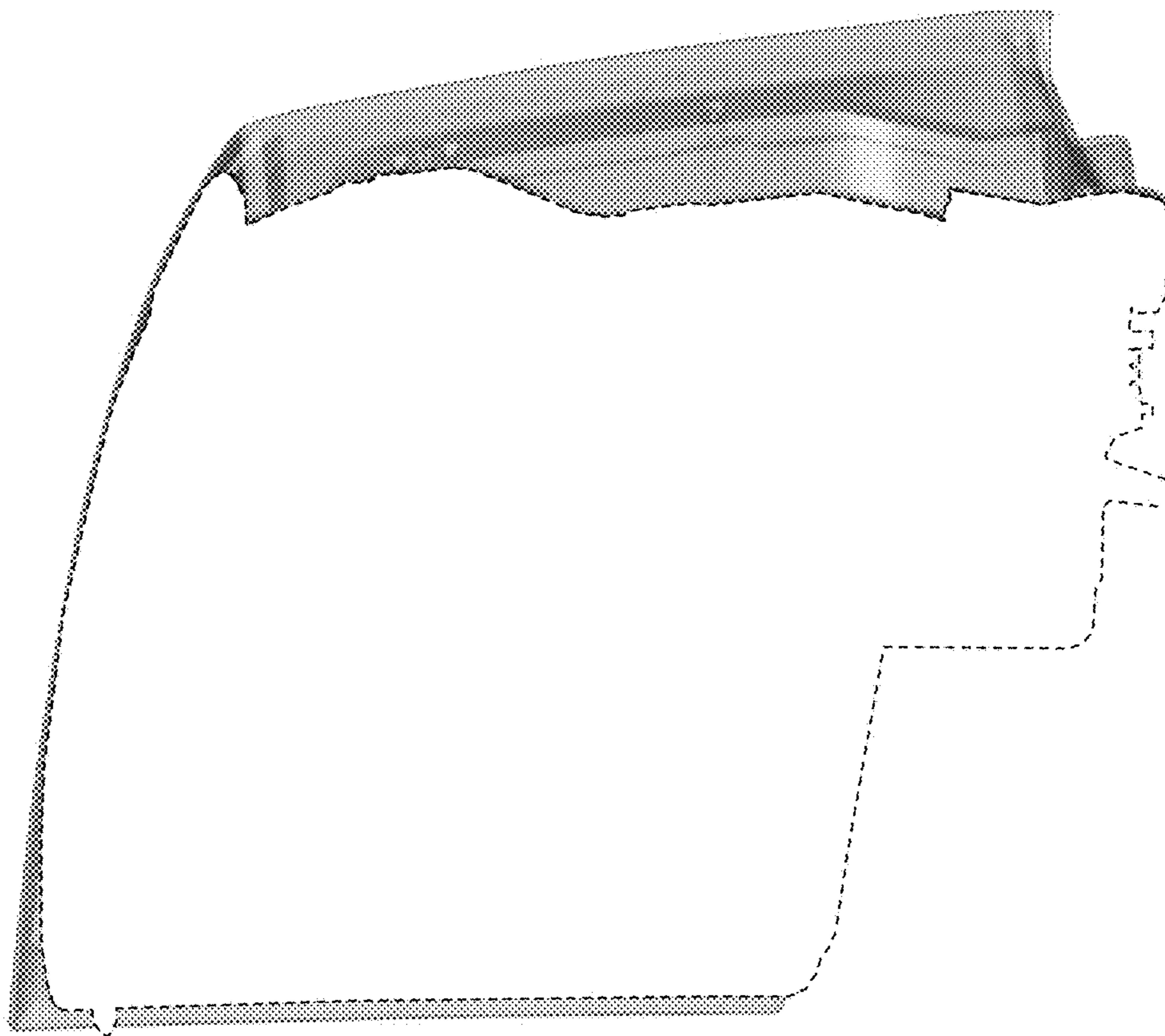


FIG. 2

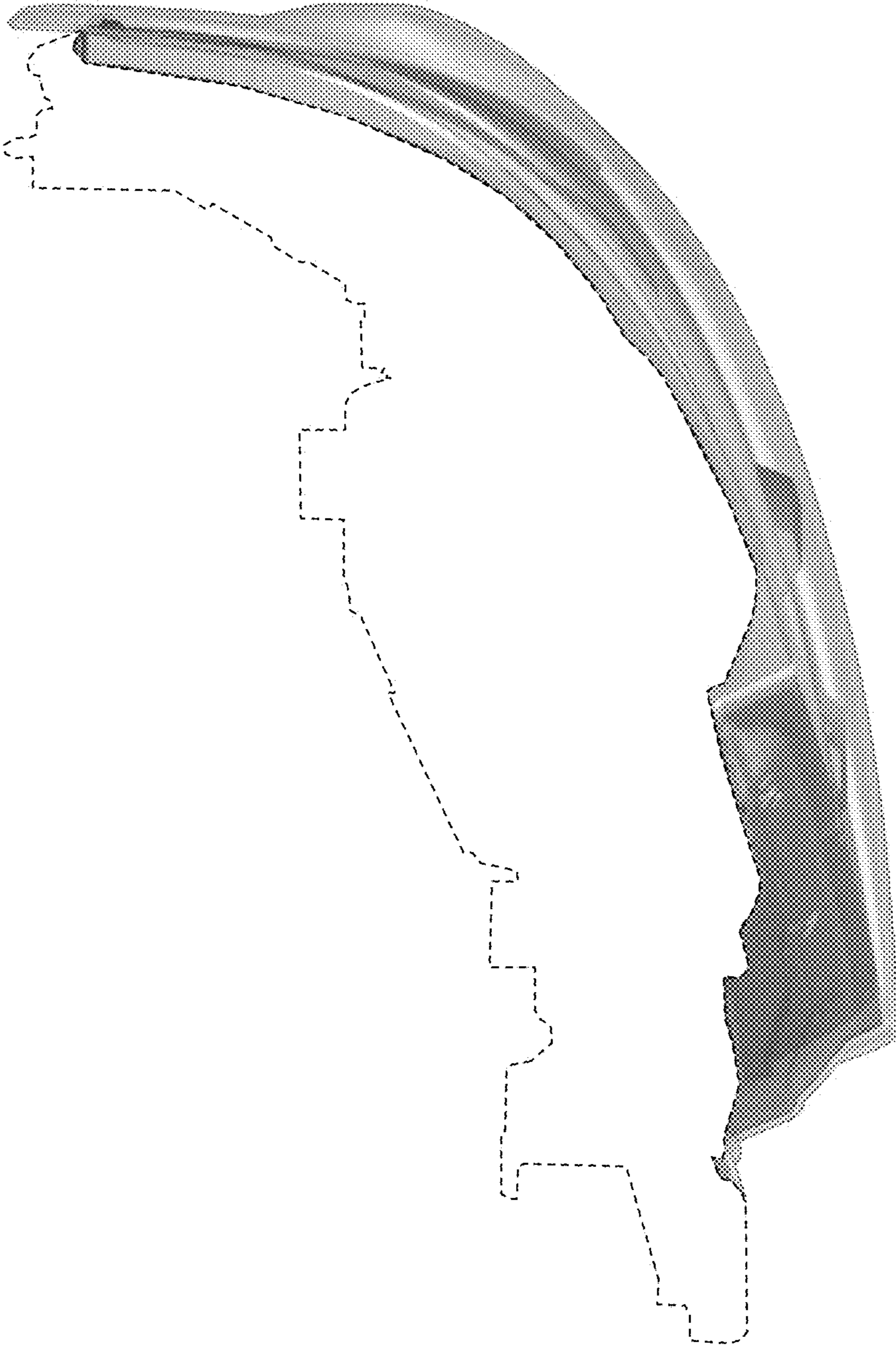


FIG. 3

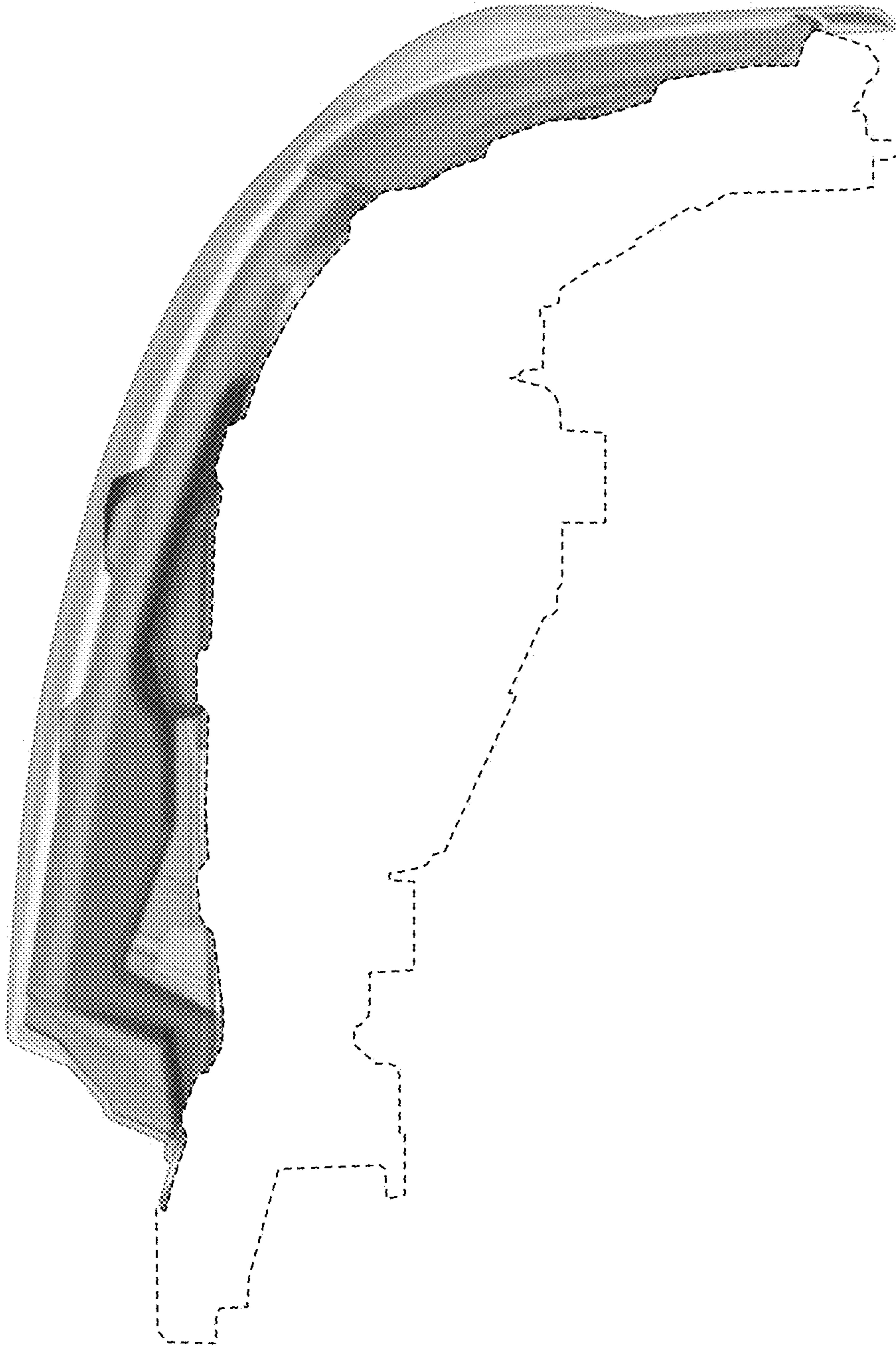


FIG. 4

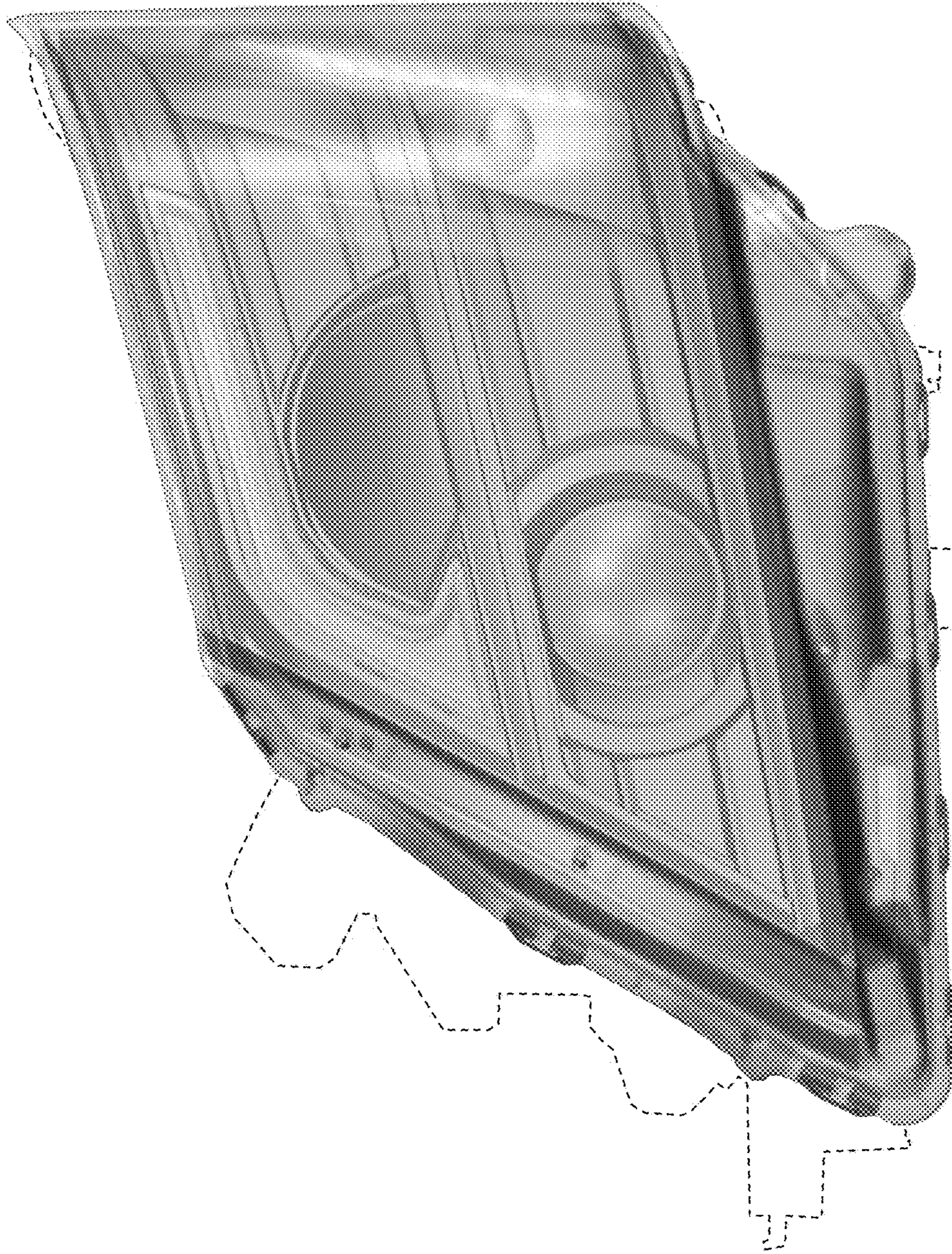


FIG. 5

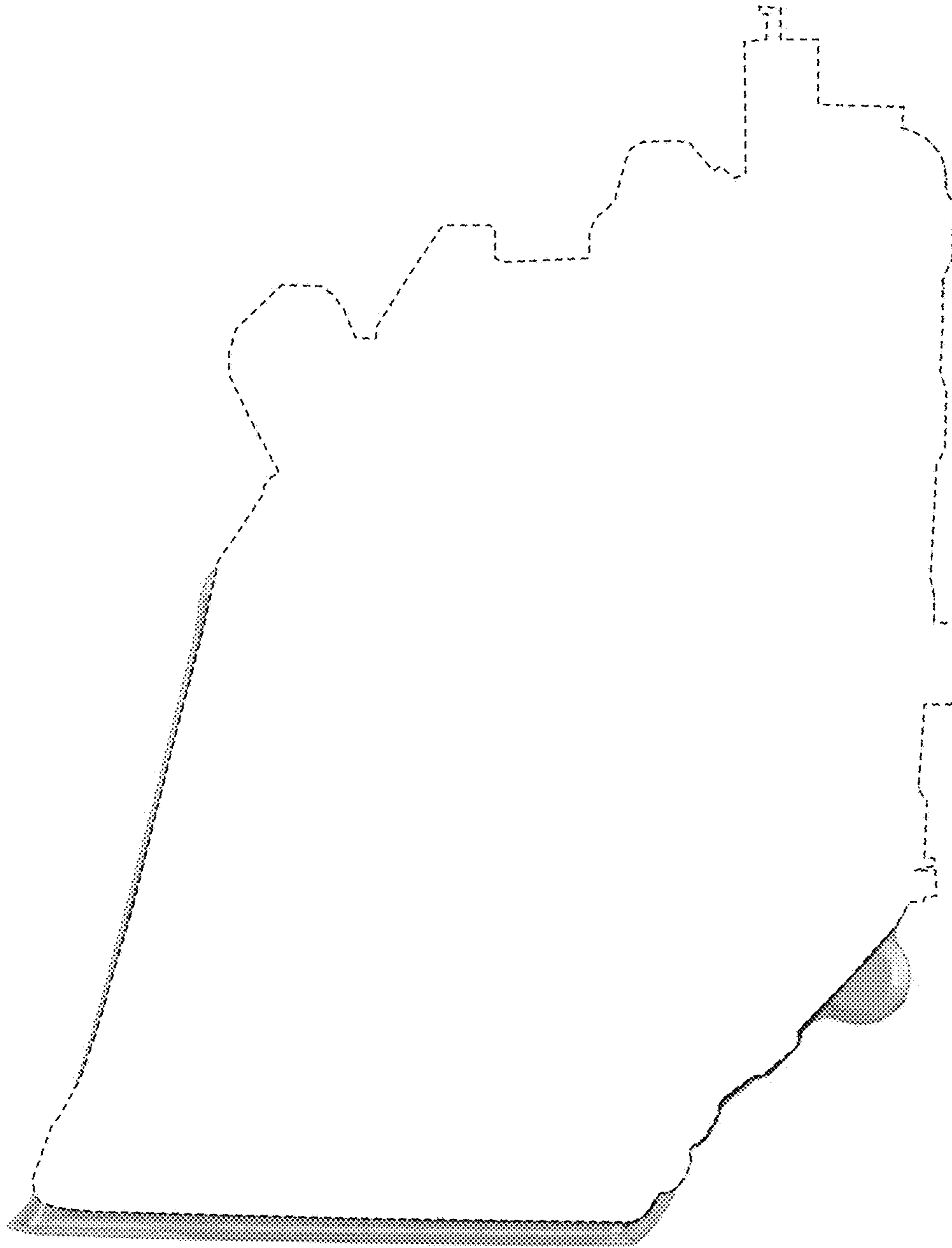


FIG. 6

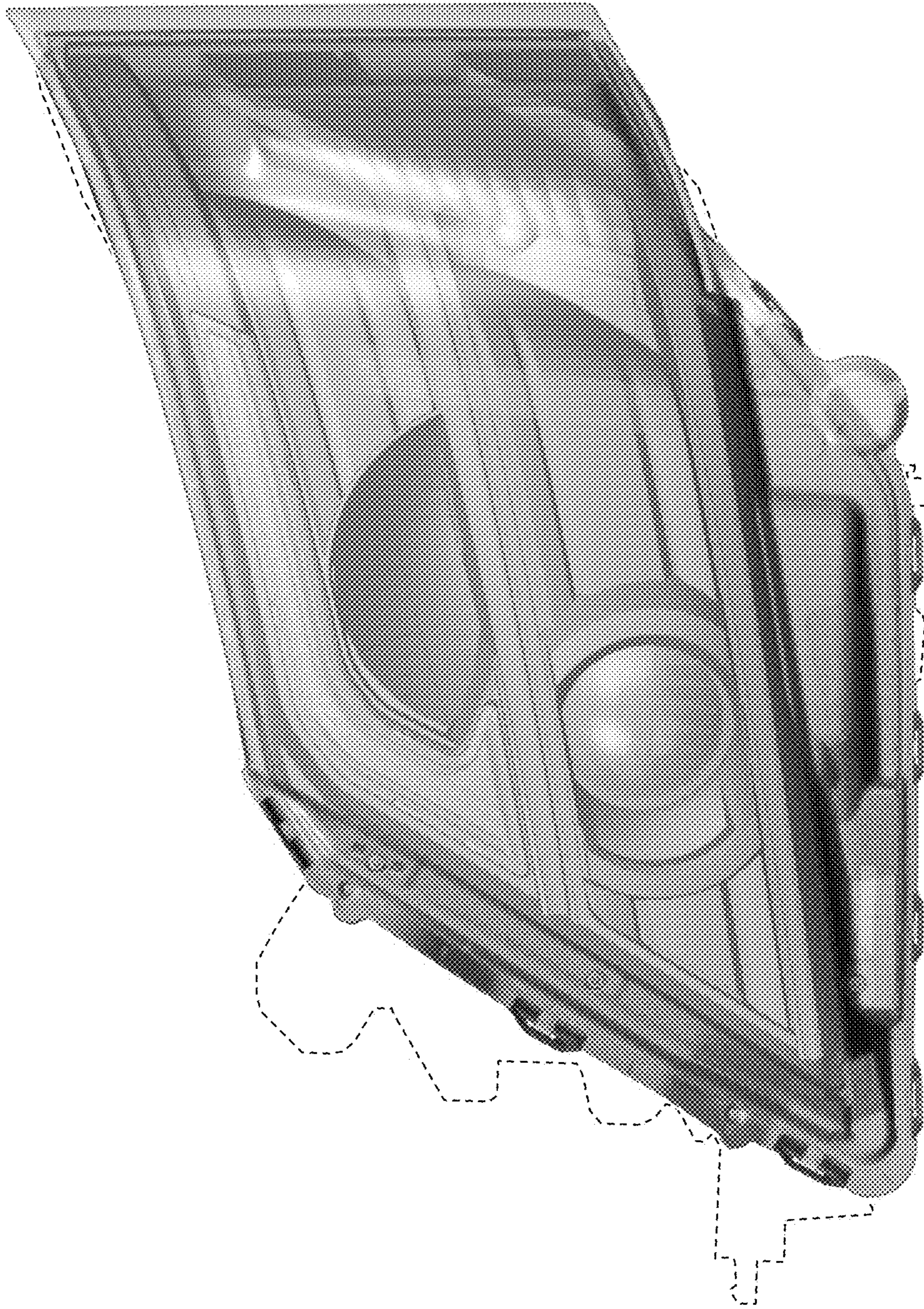


FIG. 7