



US00D843018S

(12) **United States Design Patent**
Power

(10) **Patent No.:** **US D843,018 S**

(45) **Date of Patent:** **** Mar. 12, 2019**

(54) **INSULATION PANEL**

(71) Applicant: **Ross Power Investments Inc.**, Port Coquitlam (CA)

(72) Inventor: **Ross Patrick Power**, Belcarra (CA)

(73) Assignee: **Ross Power Investments Inc.**, Surrey (CA)

(**) Term: **15 Years**

(21) Appl. No.: **29/542,085**

(22) Filed: **Oct. 9, 2015**

(51) **LOC (11) Cl.** **25-01**

(52) **U.S. Cl.**
USPC **D25/138**

(58) **Field of Classification Search**
USPC D25/58, 121, 126, 128, 136, 138, 142, D25/140, 145, 153, 155, 157, 159, D25/160-163, 55, 56, 60, 112, 113, 115, D25/118, 119, 141, 143, 158; D24/219; D6/673, 685-686, 688, 691, 691.1, 691.6, D6/692.2, 707.19, 546, 672, 675, 678.2;
(Continued)

(56) **References Cited**

U.S. PATENT DOCUMENTS

2,264,961 A 12/1941 Ward
3,280,528 A 10/1966 Dunlap
(Continued)

FOREIGN PATENT DOCUMENTS

CA 103708 6/2004
CA 2557522 9/2005
(Continued)

OTHER PUBLICATIONS

Vertibreak Rainscreen Insulation: Announced May 2, 2016 [online]. Site visited Jan. 15, 2016. Available from Internet URL: https://

www.youtube.com/watch?annotation_id=annotation_1704105909&feature=iv&src_vid=qZAYod-gFw0&v=21bUdIJsHC4.*

(Continued)

Primary Examiner — Jennifer Rivard

Assistant Examiner — Catherine S Posthauer

(74) *Attorney, Agent, or Firm* — Todd A. Rattray; Oyen Wiggs Green & Mutala LLP

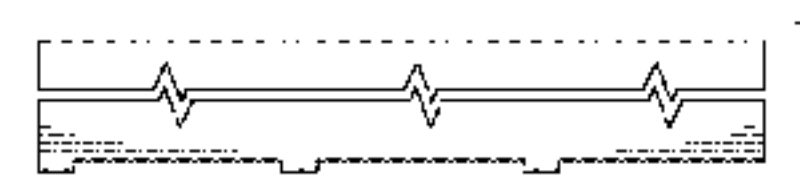
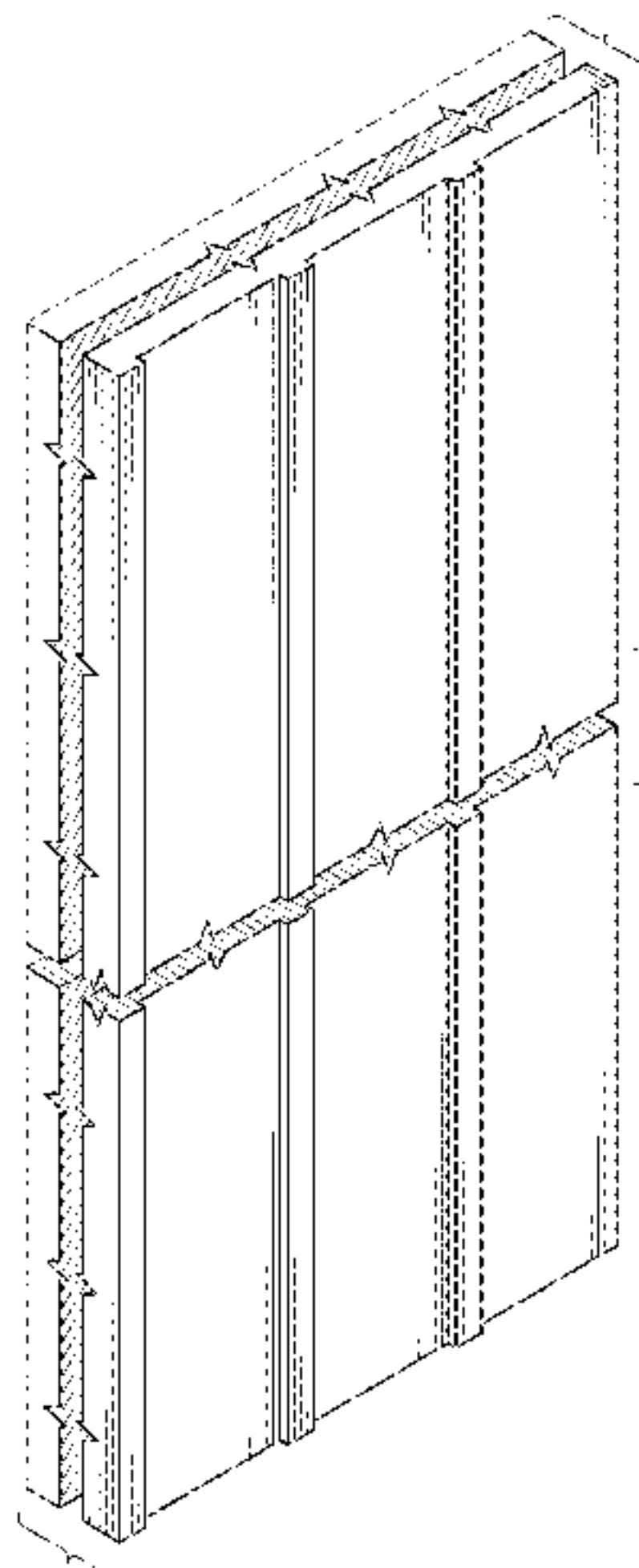
(57) **CLAIM**

The ornamental design for an insulation panel, as shown and described.

DESCRIPTION

FIG. 1 is a perspective view of a first embodiment of the insulation panel;
FIG. 2 is a top view of the FIG. 1 insulation panel, the bottom view being a mirror image thereof;
FIG. 3 is a left side view of the FIG. 1 insulation panel;
FIG. 4 is a front elevation view of the FIG. 1 insulation panel;
FIG. 5 is a right side view of the FIG. 1 insulation panel;
FIG. 6 is a perspective view of a second embodiment of the insulation panel having a width that is greater than that of the first embodiment;
FIG. 7 is a perspective view of a third embodiment of the insulation panel having a width that is greater than that of the first and second embodiments; and,
FIG. 8 is a perspective view of a fourth embodiment of the insulation panel having a width that is greater than that of the first, second and third embodiments.
The drawings include symbolic break lines. The appearance of any portion of the insulation panel between the break lines forms no part of the claimed design.
The broken lines are shown for the purpose of illustrating parts of the insulation panel that form no part of the claim.

1 Claim, 5 Drawing Sheets



(58) **Field of Classification Search**

USPC D7/357, 504, 561, 566, 568, 601, 611,
 D7/615, 631, 701; D9/424, 425, 434,
 D9/455, 456, 749, 761, 762; D30/119,
 D30/120, 131; D19/75, 86, 91
 CPC E04F 15/02172; E04F 15/02183; E04F
 15/02161; E04F 15/02; E04F 11/062;
 E04F 13/007; E04F 13/0869; B23Q
 17/24; B27F 5/00; B27F 5/02; E04D
 13/151; E04D 3/365; E04B 1/74; E04B
 9/00; E04B 9/008; E04B 1/70; E04B
 1/7076; E04B 1/7038; E04B 2/707; E04B
 2001/386; B29C 53/06; E01B 1/00; E01B
 2/00; E01B 2/72; E01C 13/00; E01C
 13/003; E01C 13/006; B32B 3/06; B32B
 3/30; B32B 3/266; B32B 7/12; B32B
 27/08; B32B 27/302; B32B 2250/02;
 B32B 2250/246; B32B 24/1904; B32B
 2471/00; E04C 2/46; E04C 2/243; E04C
 2002/001; E04C 2002/005

See application file for complete search history.

(56) **References Cited**

U.S. PATENT DOCUMENTS

3,318,056 A 5/1967 Thompson
 3,359,696 A * 12/1967 Snaith E04B 9/0435
 52/314
 3,616,127 A * 10/1971 Guenther B23Q 17/24
 428/106
 3,657,849 A * 4/1972 Garton E04B 1/02
 52/293.3
 3,881,292 A 5/1975 Porter
 3,949,529 A 4/1976 Porter
 4,000,595 A 1/1977 Fortescue
 D249,562 S * 9/1978 Barr D25/21
 D249,962 S * 10/1978 Barr D25/21
 4,295,312 A * 10/1981 Campbell E04B 5/10
 52/408
 4,318,258 A 3/1982 Heck
 4,446,661 A * 5/1984 Jonsson E04F 13/0869
 52/407.5
 4,566,243 A * 1/1986 Dahlin E04C 2/427
 52/177
 4,586,304 A 5/1986 Flamand
 4,615,448 A * 10/1986 Johnstonbaugh A47F 5/0846
 211/189
 4,647,491 A * 3/1987 Ireland A01G 1/08
 428/137
 4,791,768 A 12/1988 Crean
 D299,872 S * 2/1989 Jennings D25/157
 D318,335 S * 7/1991 Stocca D25/138
 D321,103 S 10/1991 Duffey
 5,056,281 A * 10/1991 McCarthy E04B 1/0007
 405/45
 D332,510 S * 1/1993 Kovatch D30/120
 5,271,198 A 12/1993 Freeman
 5,285,607 A 2/1994 Somerville
 5,333,429 A 8/1994 Cretti
 5,473,847 A 12/1995 Crookston
 5,511,346 A * 4/1996 Kenworthy E02D 31/02
 405/43
 5,615,525 A 4/1997 Kenworthy
 5,758,464 A 6/1998 Hatton
 5,765,333 A 6/1998 Cunningham
 5,880,885 A * 3/1999 Bailey G02B 5/124
 359/529
 6,298,620 B1 10/2001 Hatzinikolas
 6,324,796 B1 * 12/2001 Heath E04B 5/026
 52/177
 D453,046 S * 1/2002 Ohanesian D25/138
 6,355,333 B1 3/2002 Waggoner

D460,828 S * 7/2002 Chaffiotte D24/219
 D462,458 S 9/2002 Hughes et al.
 6,571,523 B2 6/2003 Chambers
 6,594,965 B2 7/2003 Coulton
 D482,140 S 11/2003 Hughes et al.
 6,669,554 B1 12/2003 Tregidga
 6,886,301 B2 5/2005 Schliger
 6,990,775 B2 1/2006 Koester
 7,127,856 B2 * 10/2006 Hagen, Jr. E04B 1/7604
 52/309.7
 D552,270 S * 10/2007 Vibiano D25/164
 7,367,165 B2 5/2008 Hatzinikolas
 7,421,826 B2 9/2008 Collins
 D606,670 S * 12/2009 Keeley D25/121
 D612,072 S * 3/2010 Keeley D25/121
 D625,112 S * 10/2010 Olsson D5/60
 D631,985 S * 2/2011 Waters D25/138
 7,972,688 B2 7/2011 Letts et al.
 D652,956 S * 1/2012 Tanaka D25/138
 D671,660 S 11/2012 Conterno
 8,474,196 B2 * 7/2013 Marriott E04F 15/02016
 52/177
 D688,438 S 8/2013 Jani et al.
 8,572,917 B2 11/2013 Gartz et al.
 8,635,824 B2 1/2014 Scherrer
 8,707,647 B2 4/2014 Crego
 8,769,894 B2 7/2014 Power et al.
 8,826,617 B2 9/2014 Endo
 8,966,843 B2 3/2015 Paul et al.
 8,986,805 B2 3/2015 Yoon et al.
 D735,999 S * 8/2015 Hansen D5/60
 D737,472 S * 8/2015 Bucarizza D25/119
 D748,289 S * 1/2016 Kamil D25/141
 D748,290 S * 1/2016 Khaychenko D25/141
 D754,372 S * 4/2016 Oh D25/163
 9,540,806 B2 1/2017 Lasselsberger
 D779,862 S * 2/2017 Everson D6/691.1
 D802,166 S * 11/2017 von Langsdorff D25/113
 D804,688 S * 12/2017 Bracher D25/163
 9,879,400 B1 1/2018 Walker
 2001/0023565 A1 9/2001 Snider et al.
 2002/0108333 A1 8/2002 Clayton
 2004/0148889 A1 8/2004 Bibee et al.
 2004/0226243 A1 * 11/2004 Lin B32B 3/10
 52/384
 2005/0022894 A1 * 2/2005 Shannon A41B 9/001
 139/422
 2006/0179763 A1 * 8/2006 Burg E04B 2/7457
 52/506.01
 2007/0220821 A1 9/2007 Omiya
 2009/0229209 A1 * 9/2009 Crego E04D 3/365
 52/462
 2010/0199586 A1 8/2010 Martineau
 2010/0287864 A1 * 11/2010 Hatzinikolas B28B 19/0015
 52/302.1
 2012/0297711 A1 11/2012 Ehrman
 2013/0125487 A1 * 5/2013 Power E04B 1/70
 52/302.3
 2017/0107718 A1 * 4/2017 Sato E04C 2/328
 2017/0211280 A1 * 7/2017 Hubbard E04F 13/0875
 2017/0335567 A1 11/2017 Chugh et al.

FOREIGN PATENT DOCUMENTS

CA 2566552 4/2008
 CA 131494 2/2010
 CA 2665986 11/2010
 CA 2674833 11/2010
 CA 153725 8/2014
 FR 2593538 1/1986
 GB 205221 10/1923
 GB 1203527 8/1970
 JP 10152907 6/1998
 JP 3039924 5/2000
 JP 2002121839 4/2002
 JP 2003321892 11/2003

(56)

References Cited

FOREIGN PATENT DOCUMENTS

SE	531446	4/2009
WO	2009021264	2/2009

OTHER PUBLICATIONS

Insul-Vent™ data sheet.

Sure-Vent™ data sheet.

Durex™ data sheet (available prior to Feb. 7, 2011).

Korax™ rainscreen wall system data sheet (available prior to Jan. 17, 2011).

Printouts from InSoFast website <https://www.insofast.com/exp-panels/> (available prior to Oct. 9, 2015).

Quik-Therm T&G Connect, www.quiktherm.com (available prior to May 14, 2012).

* cited by examiner

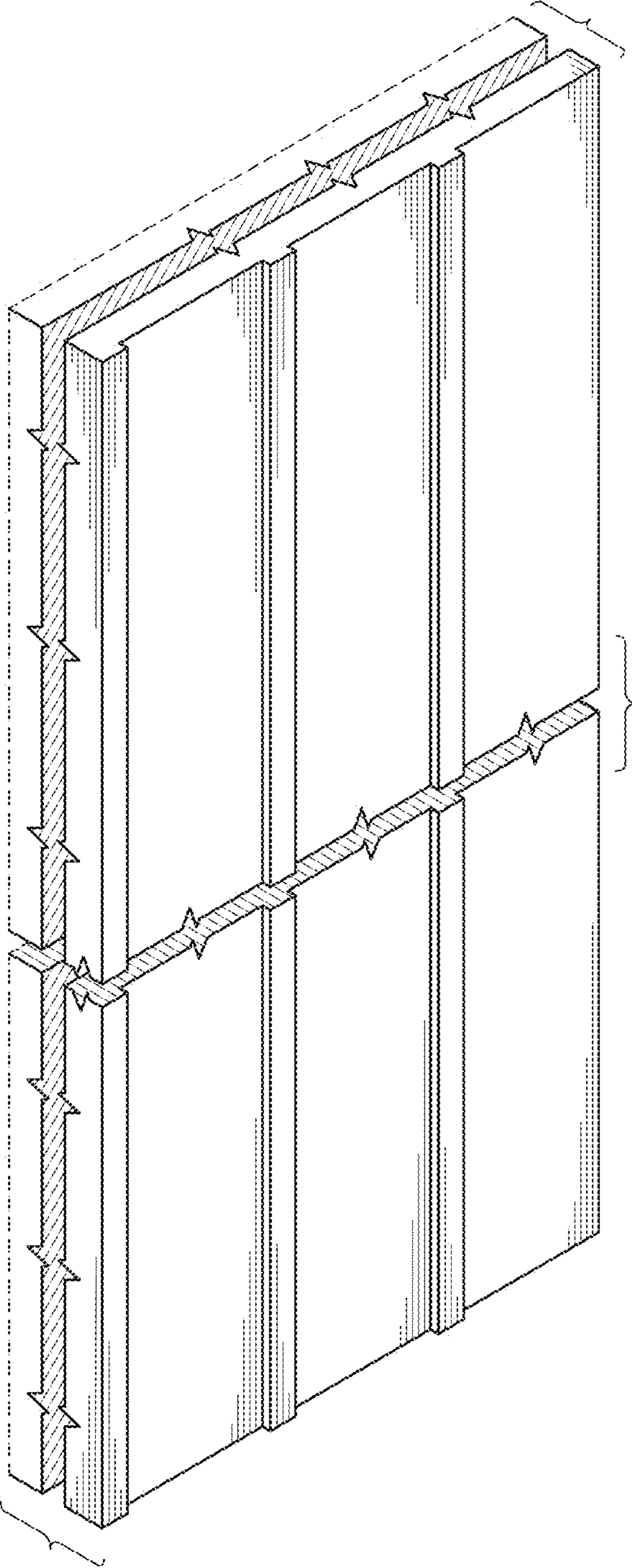


FIG. 1

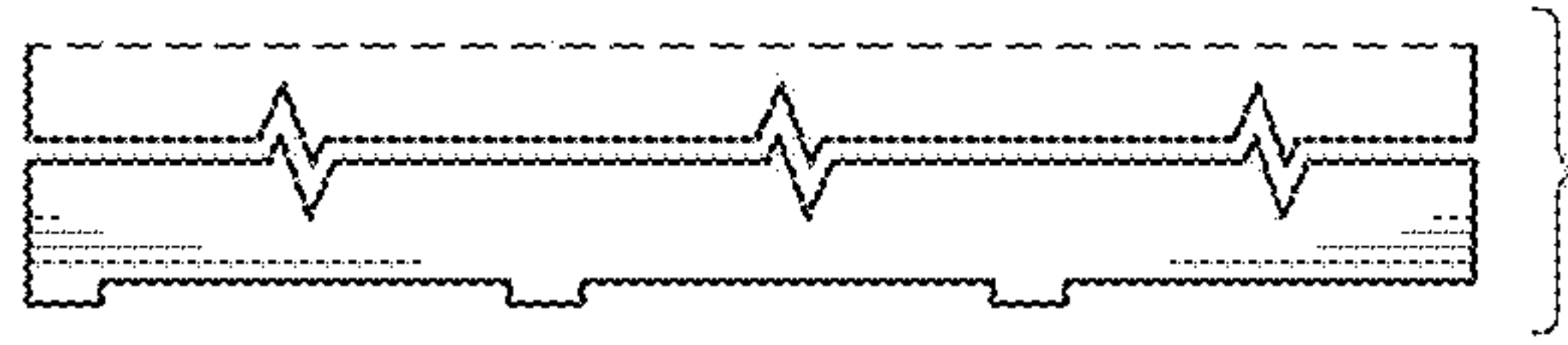


FIG. 2

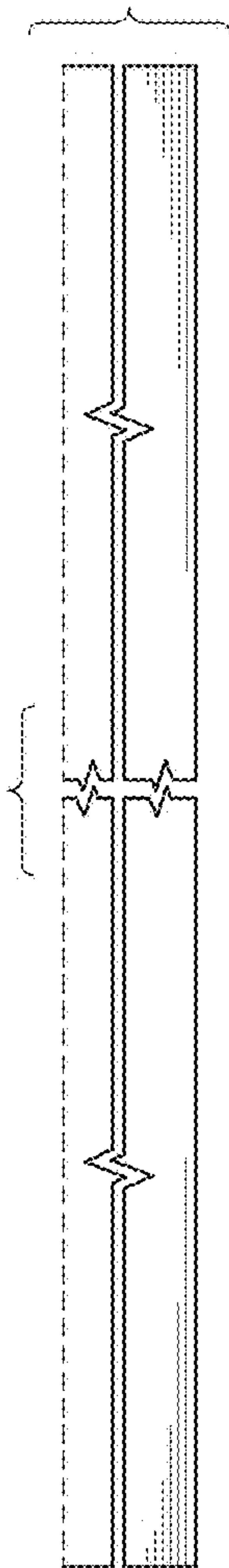


FIG. 3

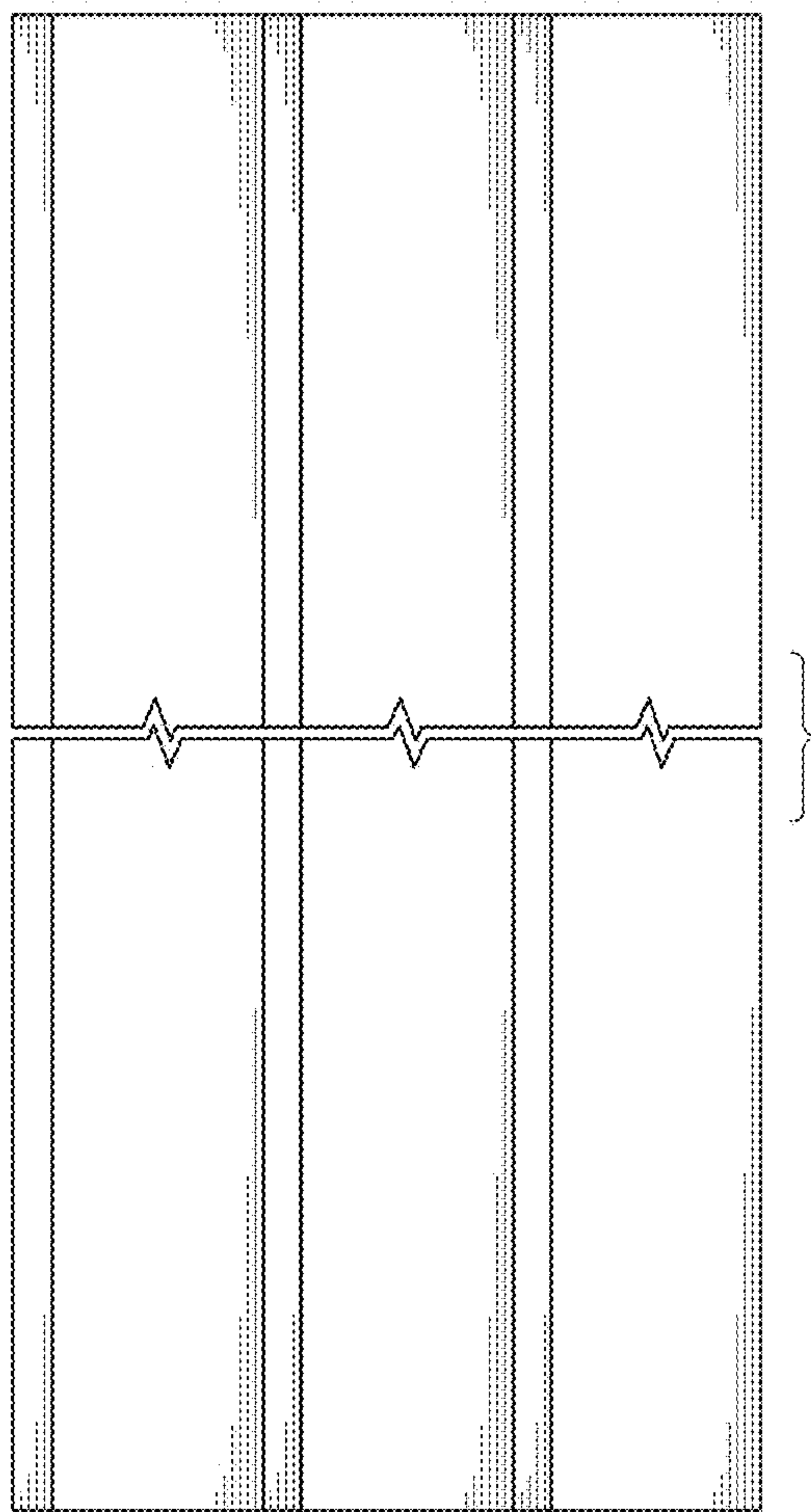


FIG. 4

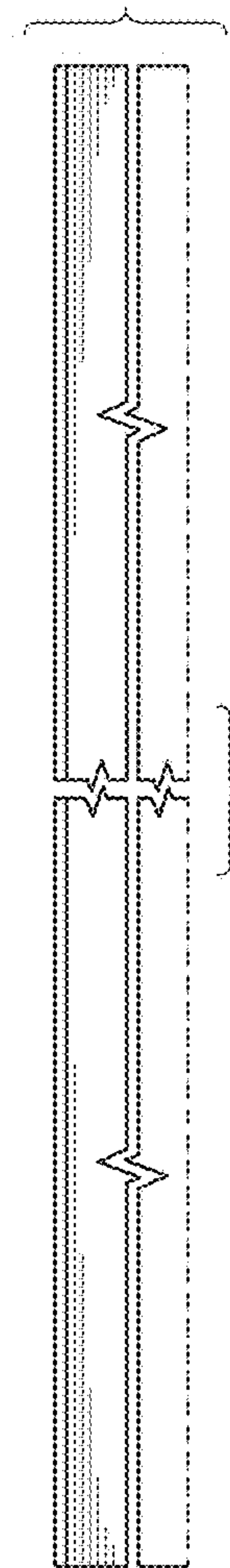


FIG. 5

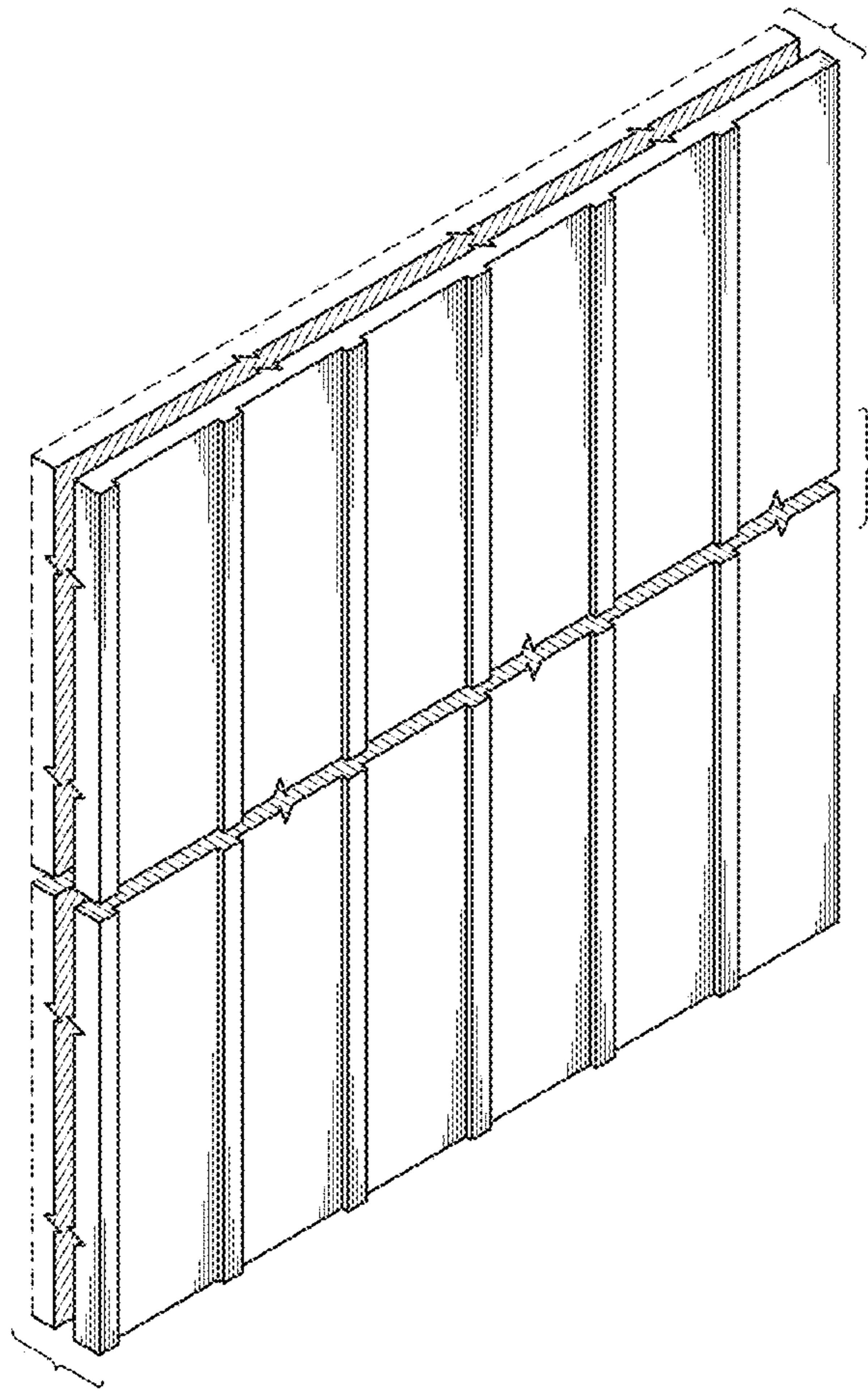


FIG. 6

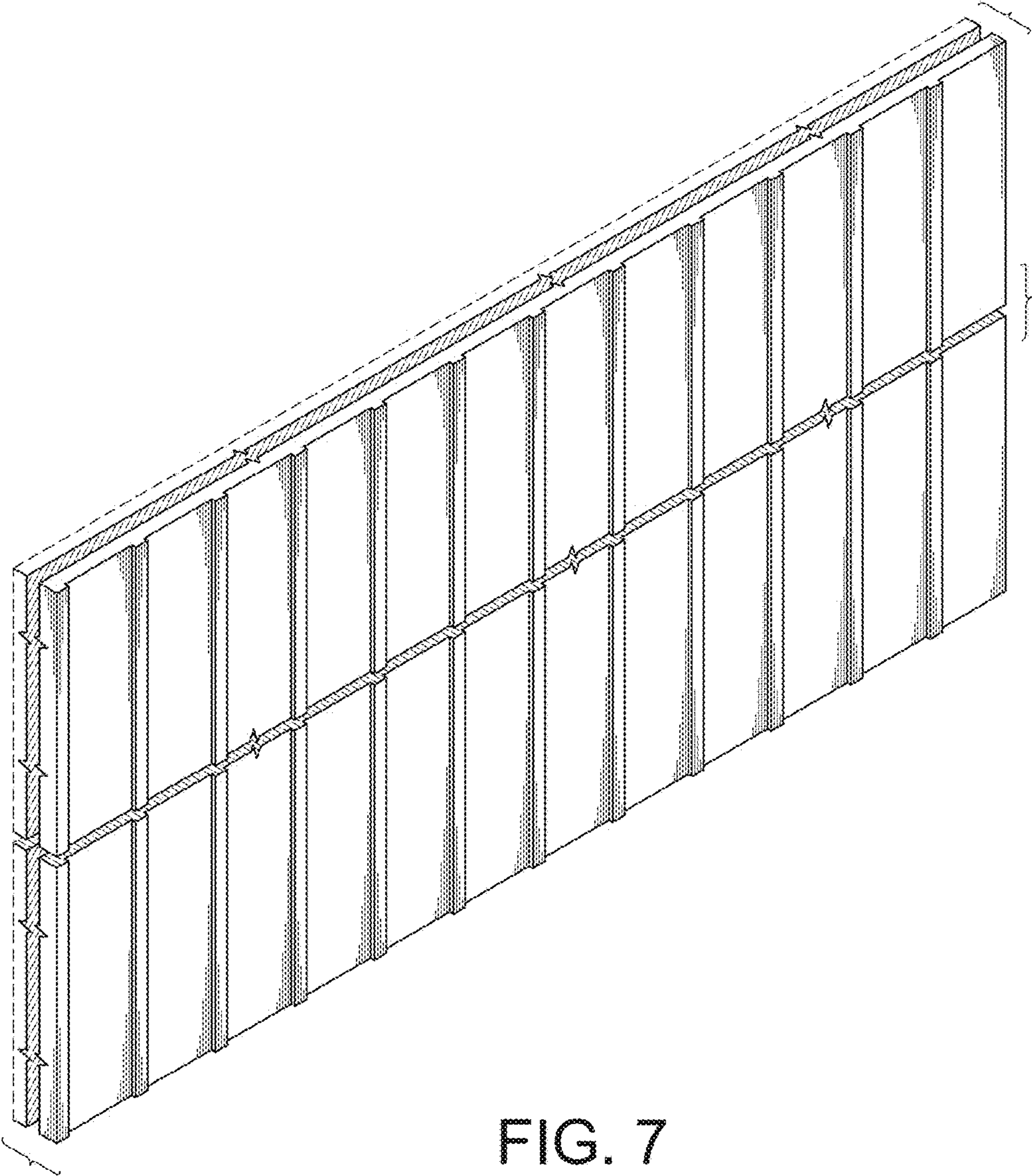


FIG. 7

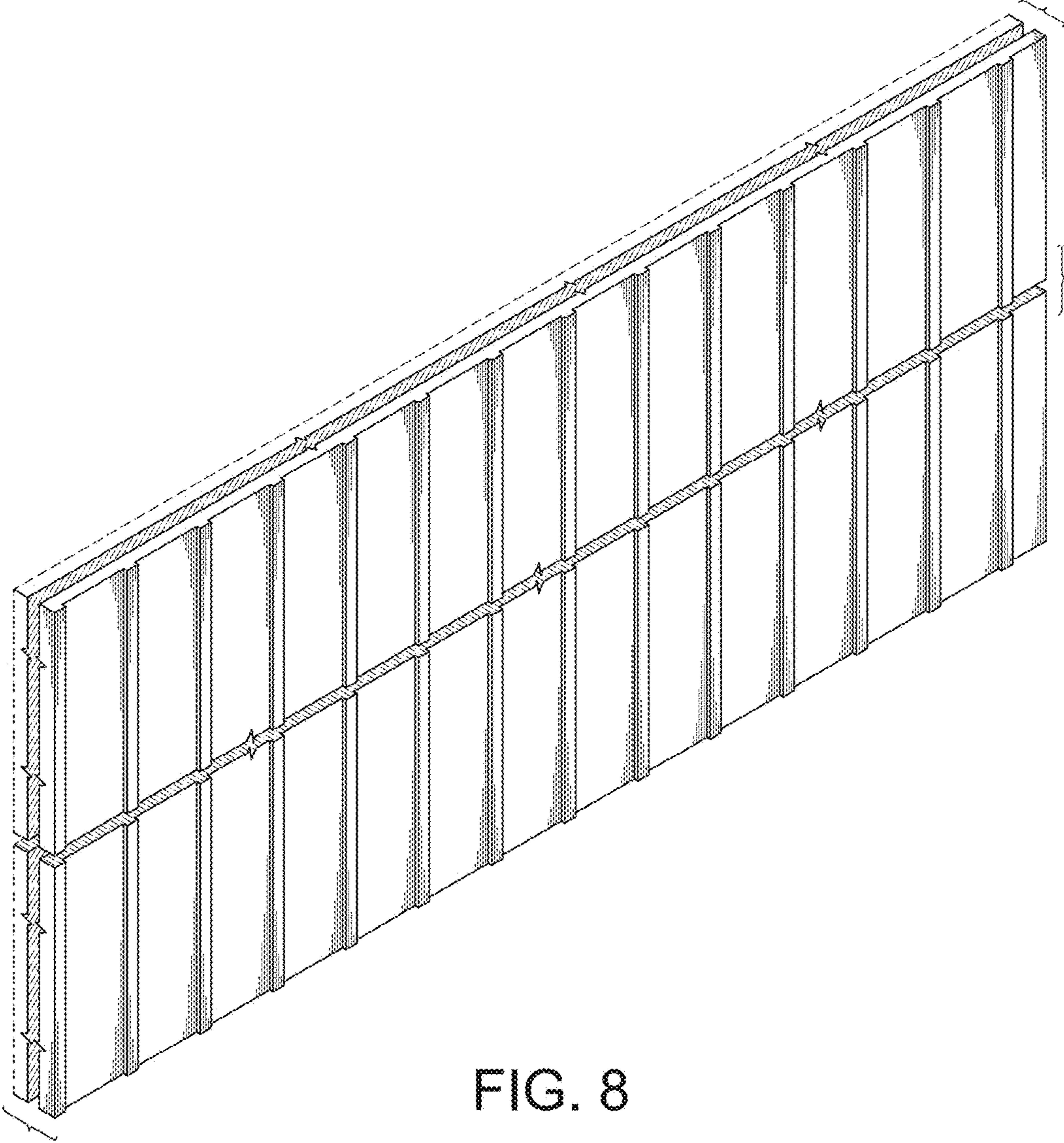


FIG. 8