



US00D843017S

(12) **United States Design Patent**
Power

(10) **Patent No.:** **US D843,017 S**

(45) **Date of Patent:** **** Mar. 12, 2019**

(54) **INSULATION PANEL**

(71) Applicant: **Ross Power Investments Inc.**, Port Coquitlam (CA)

(72) Inventor: **Ross Patrick Power**, Belcarra (CA)

(73) Assignee: **Ross Power Investments Inc.**, Surrey (CA)

(**) Term: **15 Years**

(21) Appl. No.: **29/542,084**

(22) Filed: **Oct. 9, 2015**

(51) **LOC (11) Cl.** **25-01**

(52) **U.S. Cl.**
USPC **D25/138**

(58) **Field of Classification Search**

USPC D25/58, 121, 126, 128, 136, 138, 142, D25/140, 145, 153, 155, 157, 159, D25/160-163, 55, 56, 60, 112, 113, 115, D25/118, 119, 141, 14, 3, 158; D24/219; D6/673, 685-686, 688, 691, 691.1, 691.6, D6/692.2, 707.19, 546, 672, 675, 678.2; D7/357, 504, 561, 566, 568, 601, 611, D7/615, 631, 701; D9/424, 425, 434,
(Continued)

(56) **References Cited**

U.S. PATENT DOCUMENTS

2,264,961 A 12/1941 Ward
3,280,528 A * 10/1966 Dunlap, Jr. E04D 13/151
52/18

(Continued)

FOREIGN PATENT DOCUMENTS

CA 103708 6/2004
CA 2557522 9/2005

(Continued)

OTHER PUBLICATIONS

https://www.energyefficientsolutions.com/Foam_Garage_Door_Insulation_Kit.html—2004-2006.*

(Continued)

Primary Examiner — Jennifer Rivard

Assistant Examiner — Catherine S Posthauer

(74) *Attorney, Agent, or Firm* — Todd A. Rattray; Oyen Wiggs Green & Mutala LLP

(57) **CLAIM**

The ornamental design for an insulation panel, as shown and described.

DESCRIPTION

FIG. 1 is a perspective view of a first embodiment of the insulation panel;

FIG. 2 is a top view of the FIG. 1 insulation panel, the bottom view being a mirror image thereof;

FIG. 3 is a left side view of the FIG. 1 insulation panel;

FIG. 4 is a front elevation view of the FIG. 1 insulation panel;

FIG. 5 is a right side view of the FIG. 1 insulation panel;

FIG. 6 is a perspective view of a second embodiment of the insulation panel having a width that is greater than that of the first embodiment;

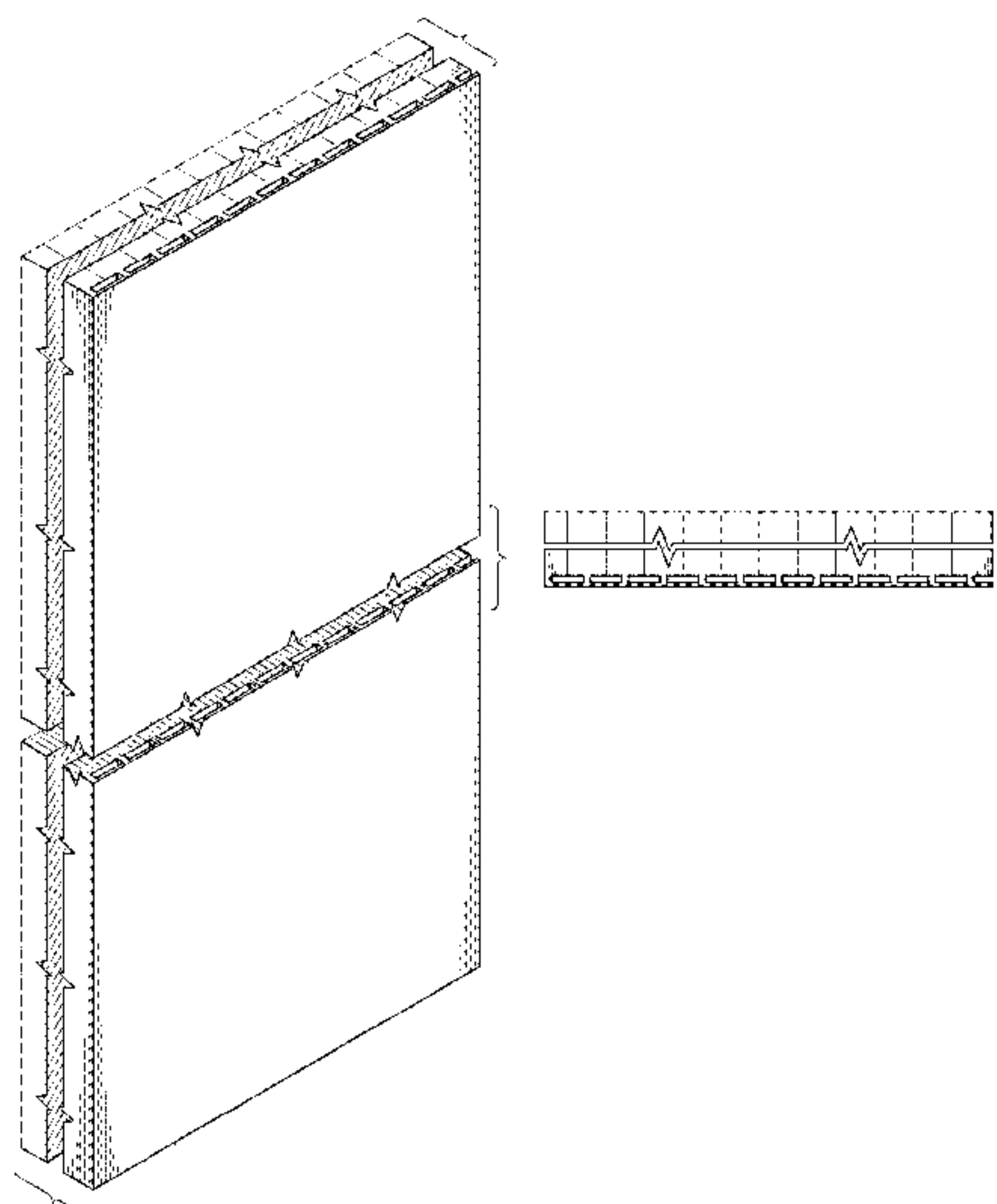
FIG. 7 is a perspective view of a third embodiment of the insulation panel having a width that is greater than that of the first and second embodiments; and,

FIG. 8 is a perspective view of a fourth embodiment of the insulation panel having a width that is greater than that of the first, second and third embodiments.

The drawings include symbolic break lines. The appearance of any portion of the insulation panel between the break lines forms no part of the claimed design.

The broken lines are shown for the purpose of illustrating parts of the insulation panel that form no part of the claim.

1 Claim, 5 Drawing Sheets



(58) **Field of Classification Search**
 USPC D9/455, 456, 749, 761, 762; D30/119,
 D30/120, 131; D19/75, 86, 91
 CPC E04F 15/02172; E04F 15/02183; E04F
 15/02161; E04F 15/02; E04F 11/062;
 E04F 13/007; E04F 13/0869; B23Q
 17/24; B27F 5/00; E04D 13/151; E04D
 3/365; E04B 1/74; E04B 9/00; E04B
 9/008; E04B 1/70; E04B 1/7076; E04B
 1/7038; E04B 2/707; E04B 2001/386;
 B29C 53/06; E01B 1/00; E01B 2/00;
 E01B 2/72; E01C 13/00; E01C 13/003;
 E01C 13/006; B32B 3/06; B32B 3/30;
 B32B 3/266; B32B 7/12; B32B 27/08;
 B32B 27/302; B32B 2250/02; B32B
 2250/246; B32B 2471/00; E04C 2/46;
 E04C 2/243; E04C 2002/001; E04C
 2002/005

See application file for complete search history.

(56) **References Cited**
 U.S. PATENT DOCUMENTS

| | | | |
|-----------|-----|---------|-------------------------------------|
| 3,318,056 | A | 5/1967 | Thompson |
| 3,359,696 | A | 12/1967 | Snaith |
| 3,616,127 | A | 10/1971 | Guenther |
| 3,657,849 | A | 4/1972 | Garton |
| 3,881,292 | A | 5/1975 | Porter |
| 3,949,529 | A | 4/1976 | Porter |
| 4,000,595 | A | 1/1977 | Fortescue |
| D249,562 | S | 9/1978 | Barr |
| D249,962 | S | 10/1978 | Barr |
| 4,295,312 | A | 10/1981 | Campbell |
| 4,318,258 | A | 3/1982 | Heck |
| 4,446,661 | A | 5/1984 | Jonsson et al. |
| 4,566,243 | A | 1/1986 | Dahlin |
| 4,586,304 | A | 5/1986 | Flamand |
| 4,615,448 | A | 10/1986 | Johnstonbaugh |
| 4,647,491 | A | 3/1987 | Ireland et al. |
| 4,791,768 | A | 12/1988 | Crean |
| D299,872 | S | 2/1989 | Jennings |
| D318,335 | S | 7/1991 | Stocca |
| D321,103 | S * | 10/1991 | Duffey D25/136 |
| 5,056,281 | A | 10/1991 | McCarthy |
| D332,510 | S | 1/1993 | Kovatch |
| 5,271,198 | A * | 12/1993 | Freeman E04F 11/062 182/46 |
| 5,285,607 | A | 2/1994 | Somerville |
| 5,333,429 | A | 8/1994 | Cretti |
| 5,473,847 | A | 12/1995 | Crookston |
| 5,511,346 | A | 4/1996 | Kenworthy |
| 5,615,525 | A | 4/1997 | Kenworthy |
| 5,758,464 | A | 6/1998 | Hatton |
| 5,765,333 | A | 6/1998 | Cunningham |
| 5,880,885 | A | 3/1999 | Bailey et al. |
| 6,298,620 | B1 | 10/2001 | Hatzinikolas |
| 6,324,796 | B1 | 12/2001 | Heath |
| D453,046 | S | 1/2002 | Ohanesian |
| 6,355,333 | B1 | 3/2002 | Waggoner |
| D460,828 | S | 7/2002 | Chathotte et al. |
| D462,458 | S * | 9/2002 | Hughes D25/122 |
| 6,571,523 | B2 | 6/2003 | Chambers |
| 6,594,965 | B2 | 7/2003 | Coulton |
| D482,140 | S * | 11/2003 | Hughes D25/121 |
| 6,669,554 | B1 | 12/2003 | Tregidga |
| 6,886,301 | B2 | 5/2005 | Schilger |
| 6,990,775 | B2 | 1/2006 | Koester |
| 7,127,856 | B2 | 10/2006 | Hagen, Jr. et al. |
| D552,270 | S | 10/2007 | Vibiano |
| 7,367,165 | B2 | 5/2008 | Hatzinikolas |
| 7,421,826 | B2 | 9/2008 | Collins |
| D606,670 | S | 12/2009 | Keeley |

| | | | |
|--------------|------|---------|------------------------------------|
| D612,072 | S | 3/2010 | Keeley |
| D625,112 | S | 10/2010 | Olsson et al. |
| D631,985 | S | 2/2011 | Waters et al. |
| 7,972,688 | B2 * | 7/2011 | Letts B32B 5/18 428/316.6 |
| D652,956 | S | 1/2012 | Tanaka et al. |
| D671,660 | S * | 11/2012 | Conterno D25/138 |
| 8,474,196 | B2 | 7/2013 | Marriott |
| D688,438 | S * | 8/2013 | Jani D1/127 |
| 8,572,917 | B2 | 11/2013 | Gartz et al. |
| 8,635,824 | B2 | 1/2014 | Scherrer |
| 8,707,647 | B2 * | 4/2014 | Crego E04D 3/365 52/394 |
| 8,769,894 | B2 | 7/2014 | Power et al. |
| 8,826,617 | B2 * | 9/2014 | Endo B29C 49/20 428/36.5 |
| 8,966,843 | B2 * | 3/2015 | Paul E04L 31/74 52/267 |
| 8,986,805 | B2 * | 3/2015 | Yoon B29C 53/06 312/406 |
| D735,999 | S | 8/2015 | Hansen et al. |
| D737,472 | S | 8/2015 | Bucarizza |
| D748,289 | S | 1/2016 | Kamil |
| D748,290 | S | 1/2016 | Khaychenko |
| D754,372 | S | 4/2016 | Oh et al. |
| 9,540,806 | B2 | 1/2017 | Lasselsberger |
| D779,862 | S | 2/2017 | Everson et al. |
| D802,166 | S | 11/2017 | von Langsdorff |
| D804,688 | S | 12/2017 | Bracher |
| 9,879,400 | B1 | 1/2018 | Walker |
| 2001/0023565 | A1 | 9/2001 | Snider et al. |
| 2002/0108333 | A1 | 8/2002 | Clayton |
| 2004/0148889 | A1 | 8/2004 | Bibee et al. |
| 2004/0226243 | A1 | 11/2004 | Lin et al. |
| 2005/0022894 | A1 | 2/2005 | Shannon |
| 2006/0179763 | A1 | 8/2006 | Burg |
| 2007/0220821 | A1 | 9/2007 | Omiya |
| 2009/0229209 | A1 | 9/2009 | Crego et al. |
| 2010/0199586 | A1 | 8/2010 | Martineau |
| 2010/0287864 | A1 | 11/2010 | Hatzinikolas |
| 2012/0297711 | A1 | 11/2012 | Ehrman |
| 2013/0125487 | A1 | 5/2013 | Power et al. |
| 2017/0107718 | A1 | 4/2017 | Sato |
| 2017/0211280 | A1 | 7/2017 | Hubbard |
| 2017/0335567 | A1 | 11/2017 | Chugh et al. |

FOREIGN PATENT DOCUMENTS

| | | |
|----|------------|---------|
| CA | 2566552 | 4/2008 |
| CA | 131494 | 2/2010 |
| CA | 2665986 | 11/2010 |
| CA | 2674833 | 11/2010 |
| CA | 153725 | 8/2014 |
| FR | 2593538 | 1/1986 |
| GB | 205221 | 10/1923 |
| GB | 1203527 | 8/1970 |
| JP | 10152907 | 6/1998 |
| JP | 3039924 | 5/2000 |
| JP | 2002121839 | 4/2002 |
| JP | 2003321892 | 11/2003 |
| SE | 531446 | 4/2009 |
| WO | 2009021264 | 2/2009 |

OTHER PUBLICATIONS

Insul-Vent™ data sheet.
 Sure-Vent™ data sheet.
 Durex™ data sheet (available prior to Feb. 7, 2011).
 Korax™ rainscreen wall system data sheet (available prior to Jan. 17, 2011).
 Printouts from InSoFast website <https://www.insofast.com/exp-panels/> (available prior to Oct. 9, 2015).
 Duik-Therm T&G Connect, www.quiktherm.com (available prior to May 14, 2012).

* cited by examiner

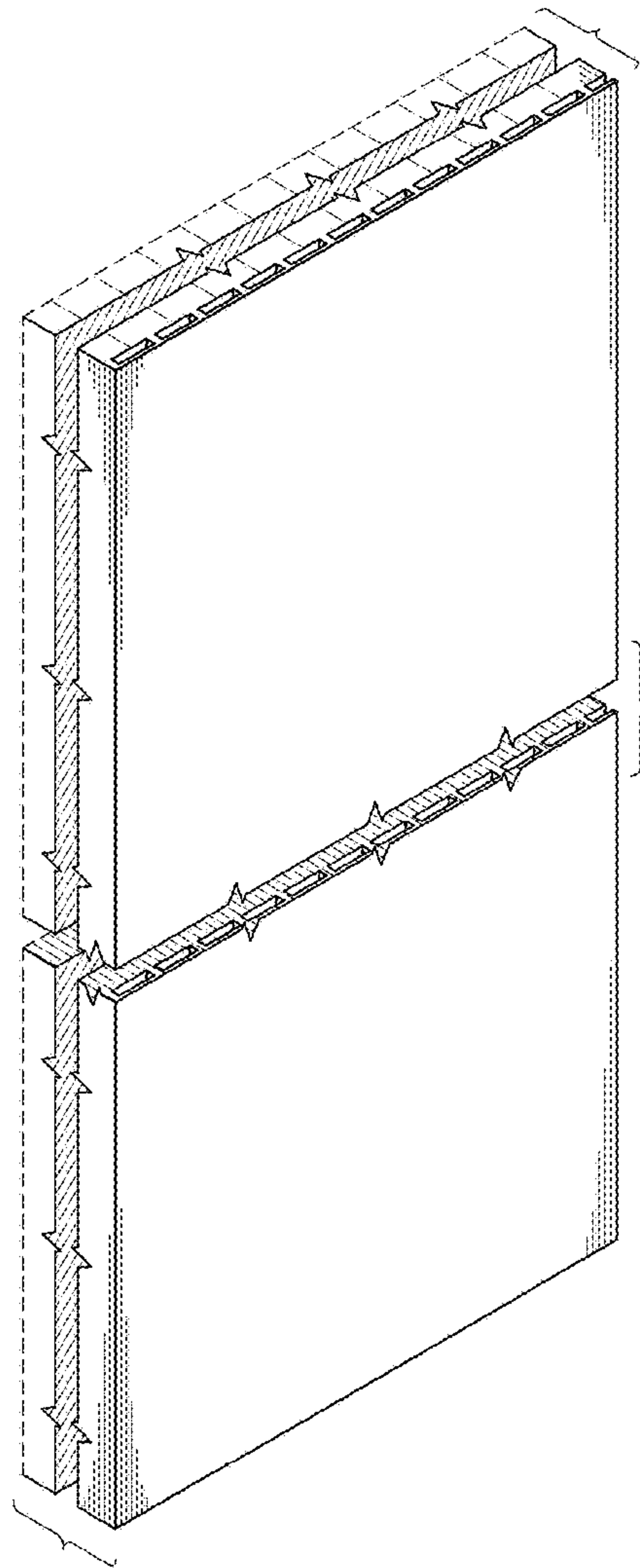


FIG. 1

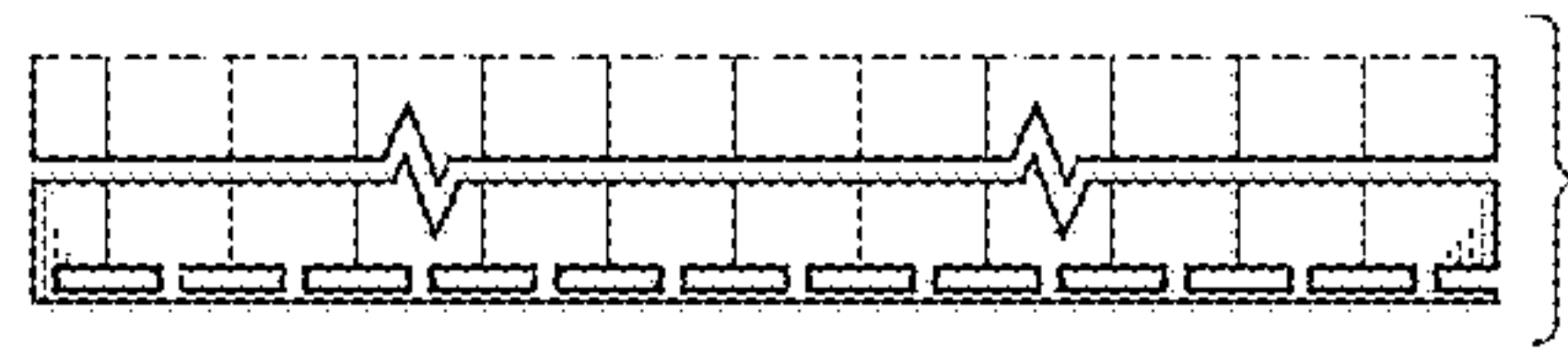


FIG. 2

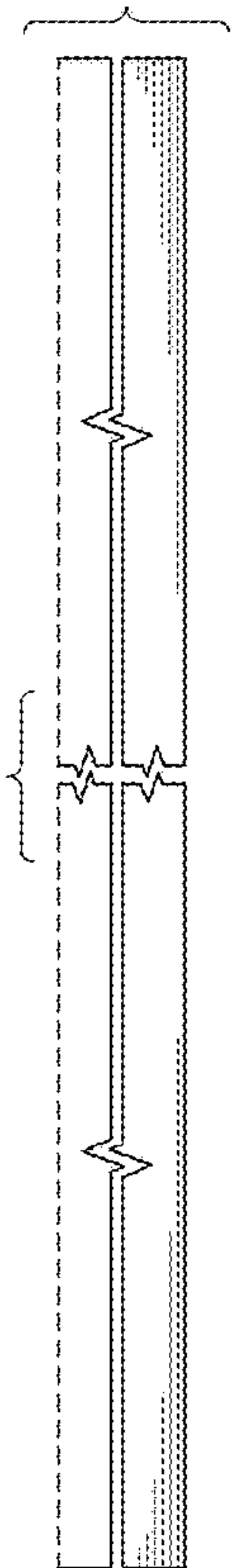


FIG. 3

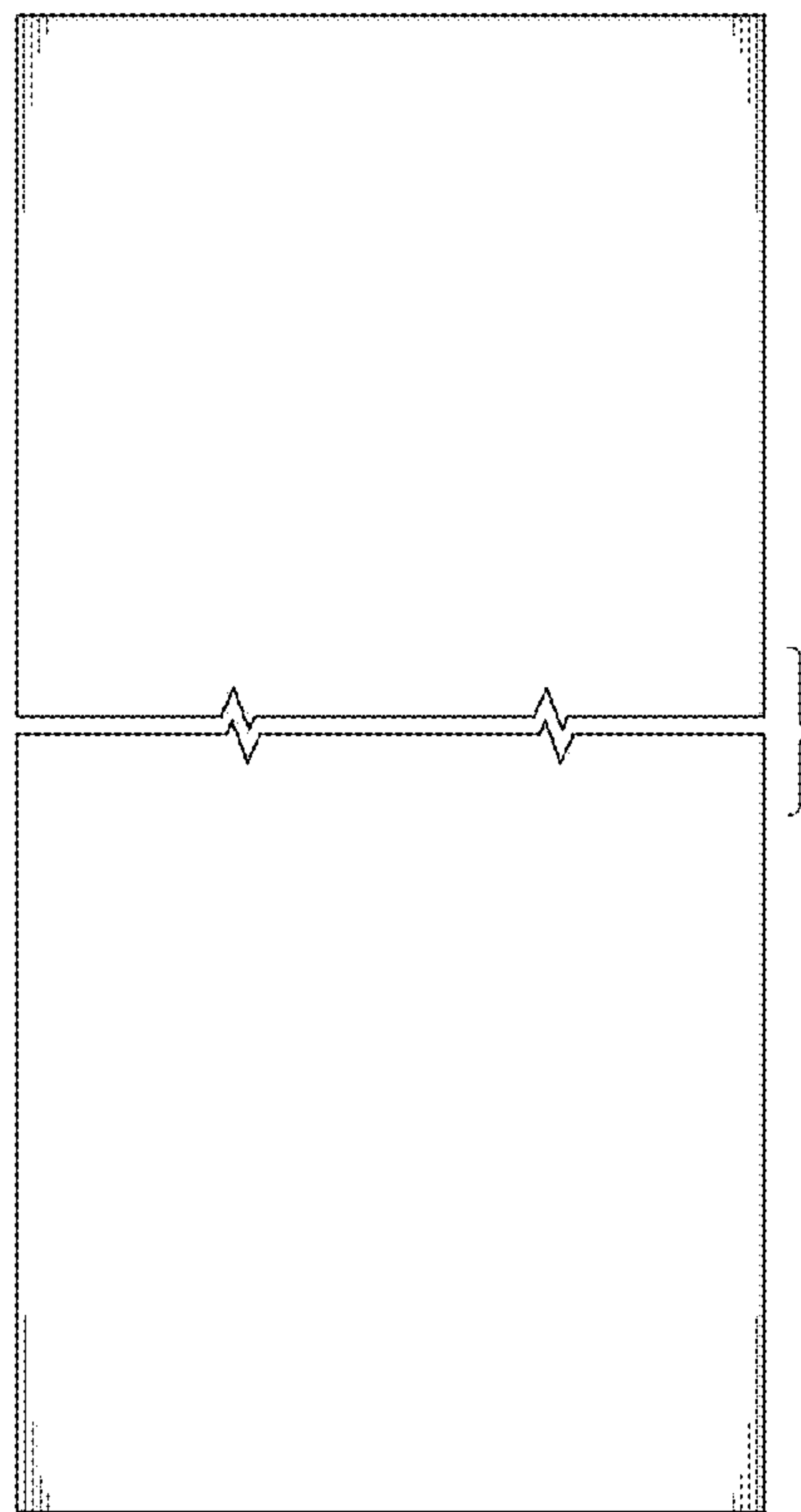


FIG. 4

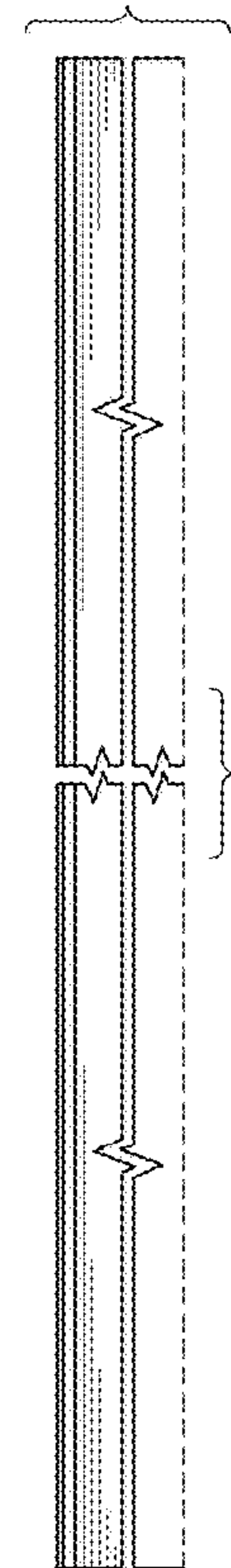


FIG. 5

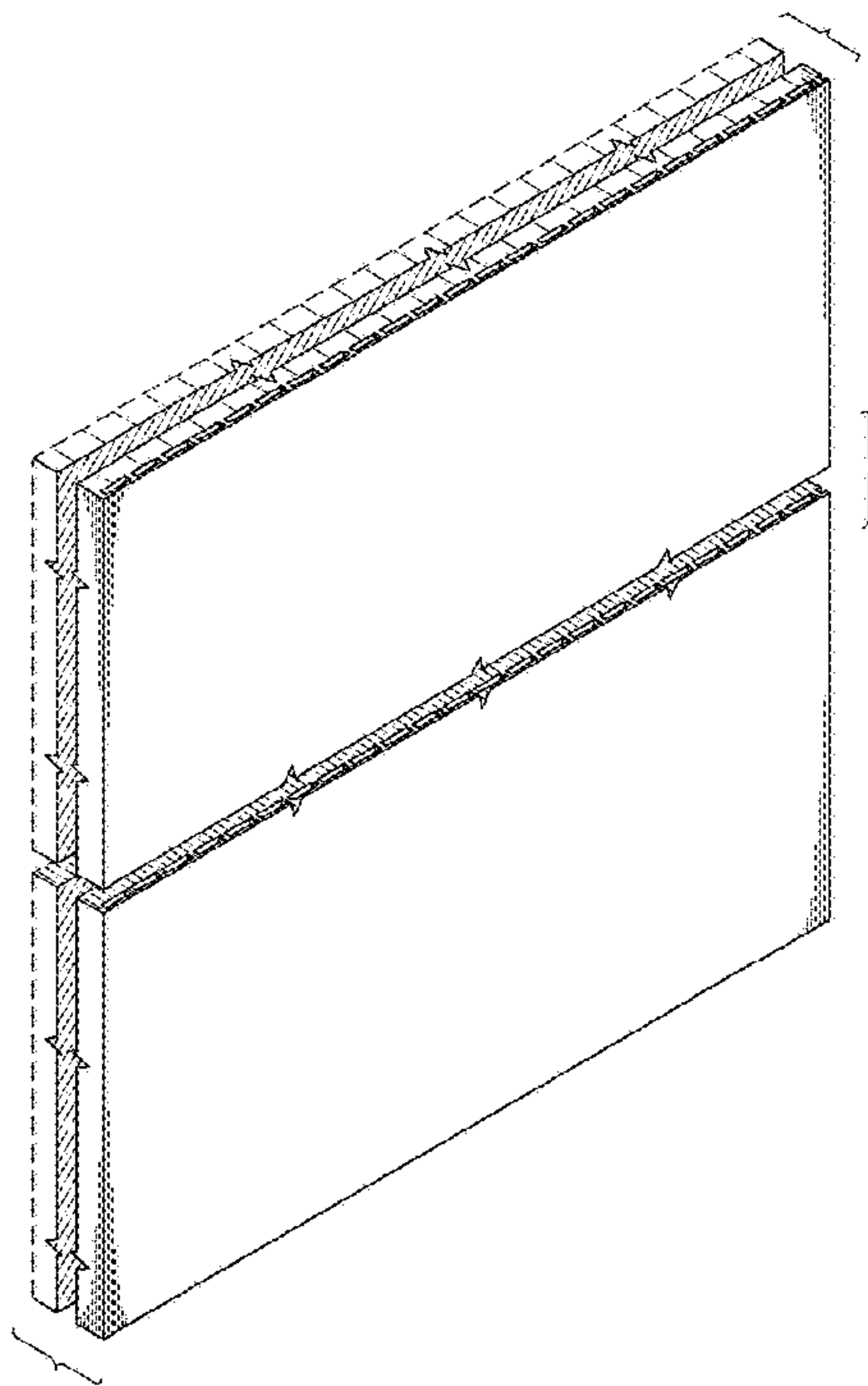


FIG. 6

