



US00D843016S

(12) **United States Design Patent** (10) **Patent No.:** **US D843,016 S**
Power (45) **Date of Patent:** **** Mar. 12, 2019**

(54) **INSULATION PANEL**

(71) Applicant: **Ross Power Investments Inc.**, Port Coquitlam (CA)

(72) Inventor: **Ross Patrick Power**, Belcarra (CA)

(73) Assignee: **Ross Power Investments Inc.**, Surrey (CA)

(**) Term: **15 Years**

(21) Appl. No.: **29/542,082**

(22) Filed: **Oct. 9, 2015**

(51) **LOC (11) Cl.** **25-01**

(52) **U.S. Cl.**
USPC **D25/138**

(58) **Field of Classification Search**
USPC D6/546, 672, 675, 678.2; D7/357, 504, D7/561, 566, 568, 601, 611, 615, 631, D7/791; D9/424, 425, 434, 455, 456, D9/749, 761, 762; D19/75, 86, 91; D25/55, 56, 60, 112, 113, 115, 118, 119, D25/126, 136, 138, 141, 142, 143, 153,
(Continued)

(56) **References Cited**

U.S. PATENT DOCUMENTS

2,264,961 A 12/1941 Ward
3,280,528 A 10/1966 Dunlap
(Continued)

FOREIGN PATENT DOCUMENTS

CA 103708 6/2004
CA 2557522 A1 * 9/2005 E04B 1/70
(Continued)

OTHER PUBLICATIONS

Vertibreak Rainscreen Insulation: Announced May 2, 2016 [online].
Site visited Jan. 15, 2016. Available from Internet URL: https://

www.youtube.com/watch?annotation_id=annotation_1704105909
&feature=iv&src_vid=gZAYod-gFw0&v=21bUdIJsHC4.*

(Continued)

Primary Examiner — Jennifer Rivard
Assistant Examiner — Catherine S Posthauer

(74) *Attorney, Agent, or Firm* — Todd A. Rattray; Oyen Wiggs Green & Mutala LLP

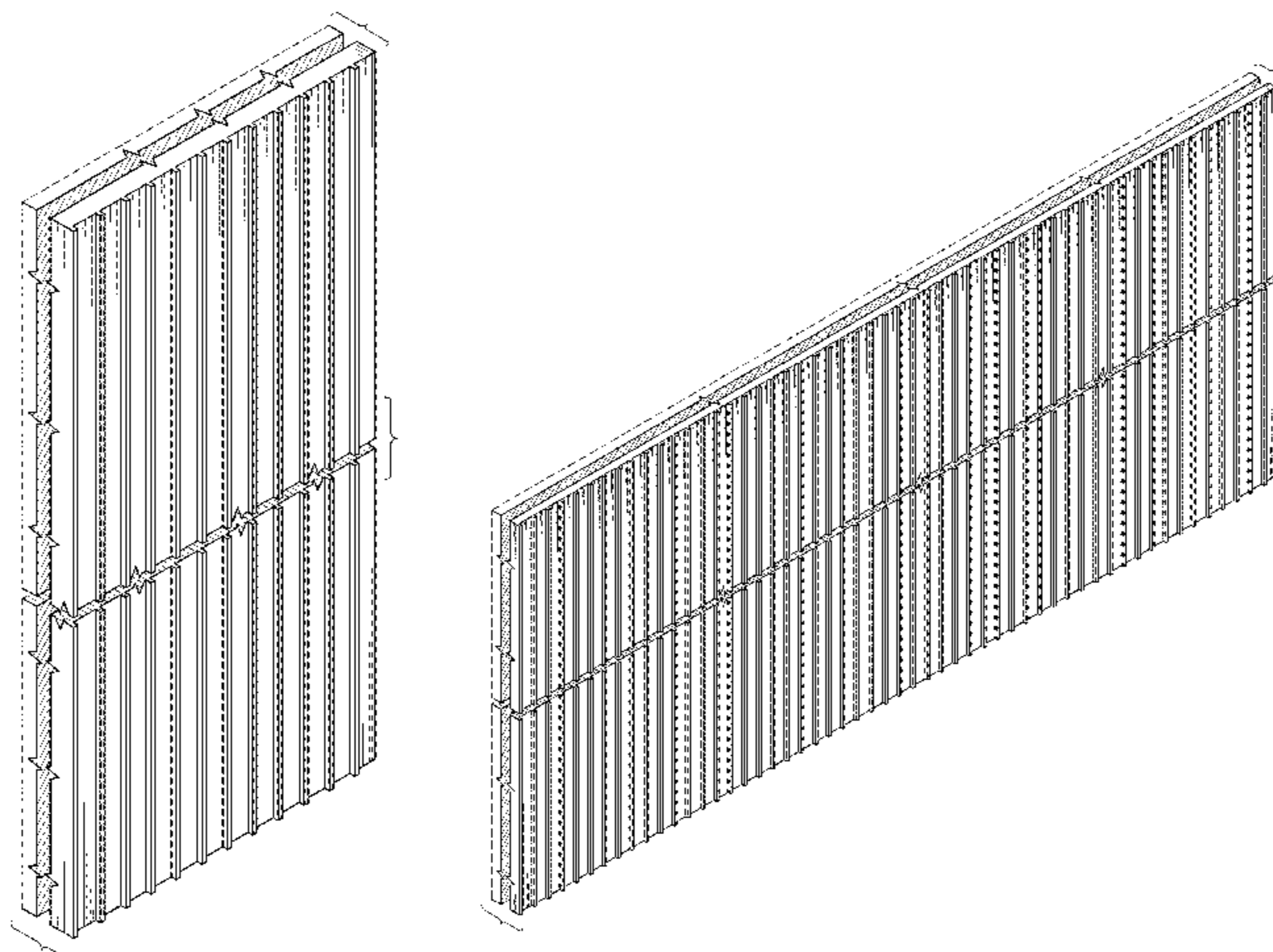
(57) **CLAIM**

The ornamental design for an insulation panel, as shown and described.

DESCRIPTION

FIG. 1 is a perspective view of a first embodiment of the insulation panel;
FIG. 2 is a top view of the FIG. 1 insulation panel, the bottom view being a mirror image thereof;
FIG. 3 is a left side view of the FIG. 1 insulation panel;
FIG. 4 is a front elevation view of the FIG. 1 insulation panel;
FIG. 5 is a right side view of the FIG. 1 insulation panel;
FIG. 6 is a perspective view of a second embodiment of the insulation panel having a width that is greater than that of the first embodiment;
FIG. 7 is a perspective view of a third embodiment of the insulation panel having a width that is greater than that of the first and second embodiments; and,
FIG. 8 is a perspective view of a fourth embodiment of the insulation panel having a width that is greater than that of the first, second and third embodiments.
The drawings include symbolic break lines. The appearance of any portion of the insulation panel between the break lines forms no part of the claimed design.
The broken lines are shown for the purpose of illustrating parts of the insulation panel that form no part of the claim.

1 Claim, 5 Drawing Sheets



(58) **Field of Classification Search**

USPC D25/157, 158, 159, 163; D30/119, 120, D30/131
 CPC E01B 1/00; E01B 2/00; E01B 2/72; E04B 9/00; E04B 9/008; E04B 1/70; E04B 1/7076; E04B 1/7038; E04B 2/707; E04B 2001/386; E04F 13/007; E04F 13/0869; E01C 13/00; E01C 13/003; E01C 13/006; B32B 3/06; B32B 3/266; B32B 3/30; B32B 7/12; B32B 27/08; B32B 27/302; B32B 2250/02; B32B 2250/246; B32B 2419/04; B32B 2471/00; E04C 2/46; E04C 2/243; E04C 2002/001; E04C 2002/005

See application file for complete search history.

(56) **References Cited**

U.S. PATENT DOCUMENTS

3,318,056	A	5/1967	Thompson	
3,359,696	A	12/1967	Snaith	
3,616,127	A	10/1971	Guenther	
3,657,849	A	4/1972	Garton	
3,881,292	A	5/1975	Porter	
3,949,529	A	4/1976	Porter	
4,000,595	A	1/1977	Fortescue	
D249,562	S *	9/1978	Barr	D25/21
D249,962	S *	10/1978	Barr	D25/21
4,295,312	A	10/1981	Campbell	
4,318,258	A	3/1982	Heck	
4,446,661	A *	5/1984	Jonsson	E04F 13/0869 52/407.5
4,566,243	A	1/1986	Dahlin	
4,586,304	A	5/1986	Flamand	
4,615,448	A	10/1986	Johnstonbaugh	
4,647,491	A	3/1987	Ireland et al.	
4,791,768	A	12/1988	Crean	
D299,872	S *	2/1989	Jennings	D25/157
D318,335	S	7/1991	Stocca	
D321,103	S	10/1991	Duffey	
5,056,281	A	10/1991	McCarthy	
D332,510	S *	1/1993	Kovatch	D30/120
5,271,198	A	12/1993	Freeman	
5,285,607	A	2/1994	Somerville	
5,333,429	A	8/1994	Cretti	
5,473,847	A	12/1995	Crookston	
5,511,346	A	4/1996	Kenworthy	
5,615,525	A	4/1997	Kenworthy	
5,758,464	A	6/1998	Hatton	
5,765,333	A	6/1998	Cunningham	
5,880,885	A	3/1999	Bailey et al.	
6,298,620	B1	10/2001	Hatzinikolas	
6,324,796	B1	12/2001	Heath	
D453,046	S *	1/2002	Ohanesian	D25/138
6,355,333	B1	3/2002	Waggoner	
D460,828	S	7/2002	Chaffiotte et al.	
D462,458	S	9/2002	Hughes et al.	
6,571,523	B2	6/2003	Chambers	
6,594,965	B2	7/2003	Coulton	
D482,140	S	11/2003	Hughes et al.	
6,669,554	B1	12/2003	Tregidga	
6,886,301	B2	5/2005	Schliger	
6,990,775	B2	1/2006	Koester	
7,127,856	B2	10/2006	Hagen, Jr. et al.	
D552,270	S	10/2007	Vibiano	
7,367,165	B2	5/2008	Hatzinikolas	
7,421,826	B2	9/2008	Collins	
D606,670	S	12/2009	Keeley	
D612,072	S	3/2010	Keeley	
D625,112	S	10/2010	Olsson et al.	

D631,985	S	2/2011	Waters et al.	
7,972,688	B2	7/2011	Letts et al.	
D652,956	S	1/2012	Tanaka et al.	
D671,660	S	11/2012	Contemo	
8,474,196	B2	7/2013	Marriott	
D688,438	S	8/2013	Jani et al.	
8,572,917	B2	11/2013	Gartz et al.	
8,635,824	B2	1/2014	Scherrer	
8,707,647	B2	4/2014	Crego	
8,769,894	B2	7/2014	Power et al.	
8,826,617	B2	9/2014	Endo	
8,966,843	B2	3/2015	Paul et al.	
8,986,805	B2	3/2015	Yoon et al.	
D735,999	S	8/2015	Hansen et al.	
D737,472	S *	8/2015	Bucarizza	D25/119
D748,289	S *	1/2016	Kamil	D25/141
D748,290	S *	1/2016	Khaychenko	D25/141
D754,372	S	4/2016	Oh et al.	
9,540,806	B2	1/2017	Lasselsberger	
D779,862	S	2/2017	Everson et al.	
D802,166	S *	11/2017	von Langsdorff	D25/113
D804,688	S *	12/2017	Bracher	D25/163
9,879,400	B1	1/2018	Walker	
2001/0023565	A1	9/2001	Snider et al.	
2002/0108333	A1	8/2002	Clayton	
2004/0148889	A1	8/2004	Bibee et al.	
2004/0226243	A1 *	11/2004	Lin	B32B 3/10 52/384
2005/0022894	A1	2/2005	Shannon	
2006/0179763	A1 *	8/2006	Burg	E04B 2/7457 52/506.01
2007/0220821	A1	9/2007	Omiya	
2009/0229209	A1	9/2009	Crego et al.	
2010/0199586	A1	8/2010	Martineau	
2010/0287864	A1 *	11/2010	Hatzinikolas	B28B 19/0015 52/302.1
2012/0297711	A1	11/2012	Ehrman	
2013/0125487	A1 *	5/2013	Power	E04B 1/70 52/302.3
2017/0107718	A1 *	4/2017	Sato	E04C 2/328
2017/0211280	A1 *	7/2017	Hubbard	E04F 13/0875
2017/0335567	A1	11/2017	Chugh et al.	

FOREIGN PATENT DOCUMENTS

CA	2566552	4/2008
CA	131494	2/2010
CA	2665986	11/2010
CA	2674833	11/2010
CA	153725	8/2014
FR	2593538	1/1986
GB	205221	10/1923
GB	1203527	8/1970
JP	10152907	6/1998
JP	3039924	5/2000
JP	2002121839	4/2002
JP	2003321892	11/2003
SE	531446	4/2009
WO	2009021264	2/2009

OTHER PUBLICATIONS

Insul-Vent™ data sheet.
 Sure-Vent™ data sheet.
 Durex™ data sheet (available prior to Feb. 7, 2011).
 Korax™ rainscreen wall system data sheet (available prior to Jan. 17, 2011).
 Printouts from InSoFast website <https://www.insofast.com/expansels/> (available prior to Oct. 9, 2015).
 Quik-Therm T&G Connect, www.quiktherm.com (available prior to May 14, 2012).

* cited by examiner

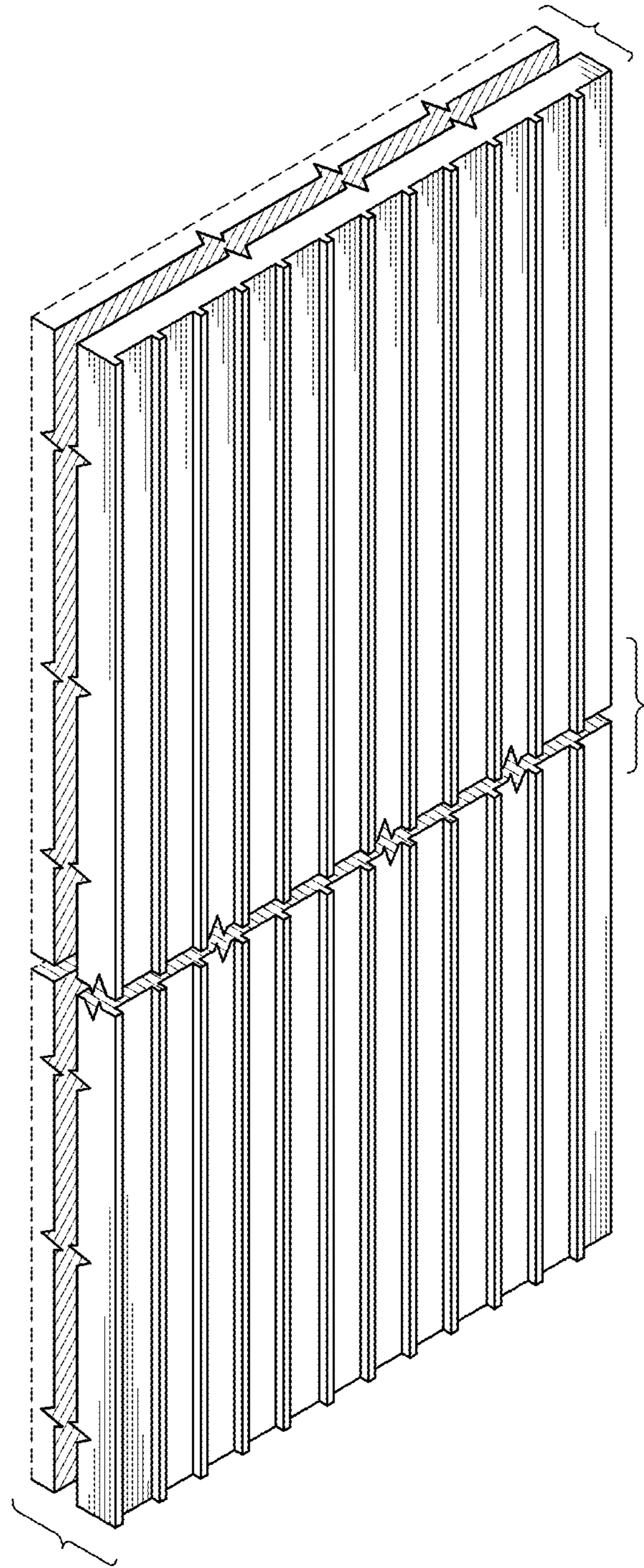


FIG. 1

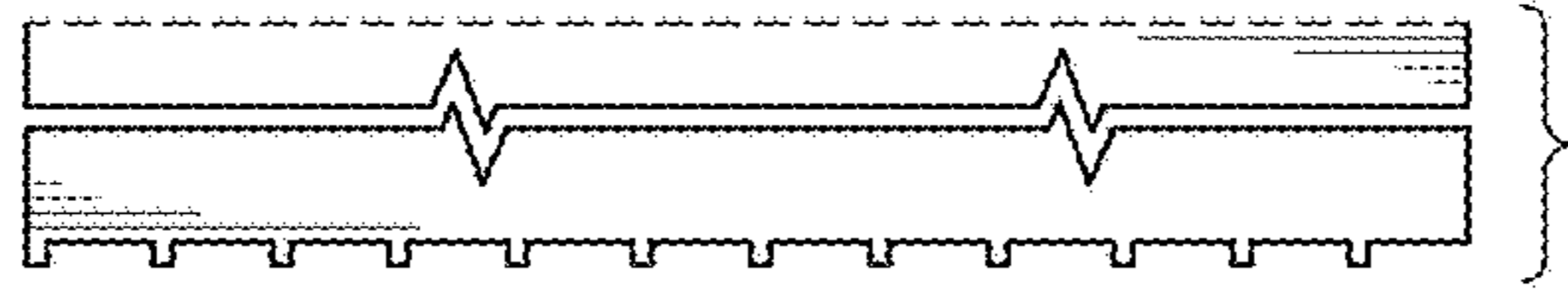


FIG. 2

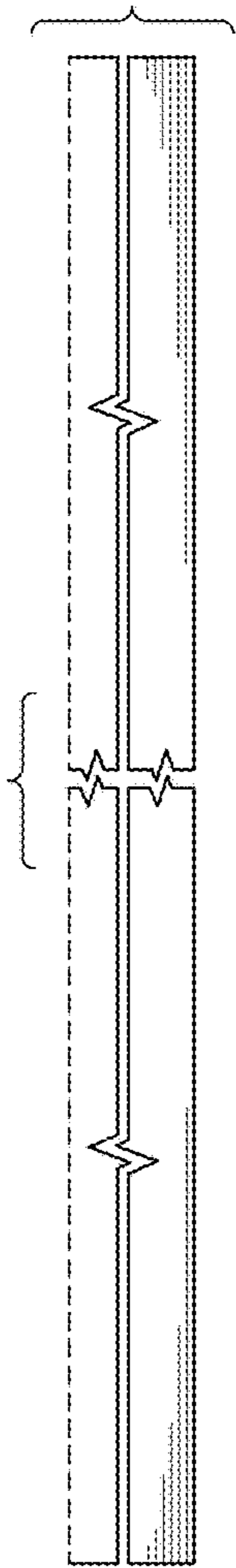


FIG. 3

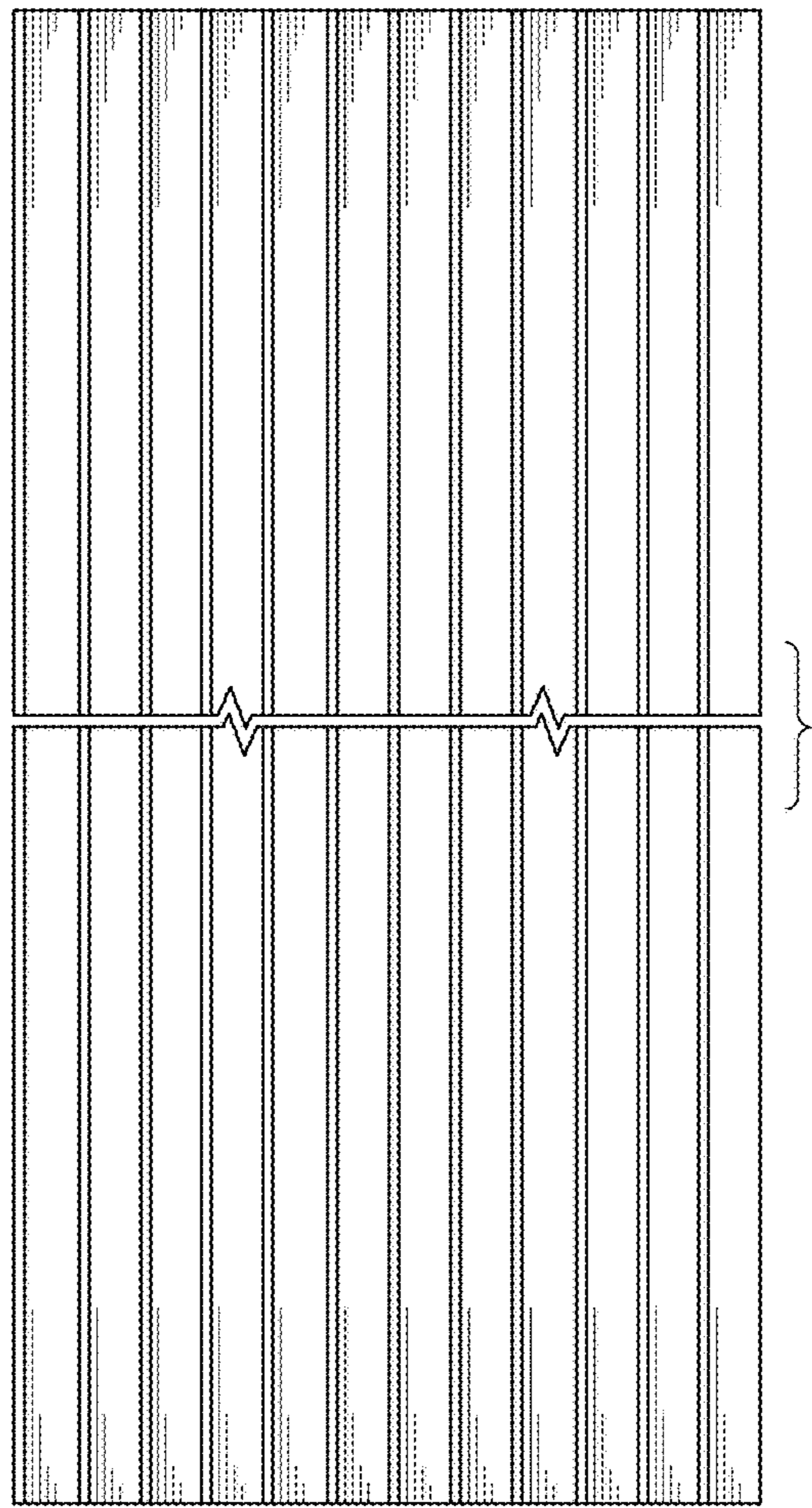


FIG. 4

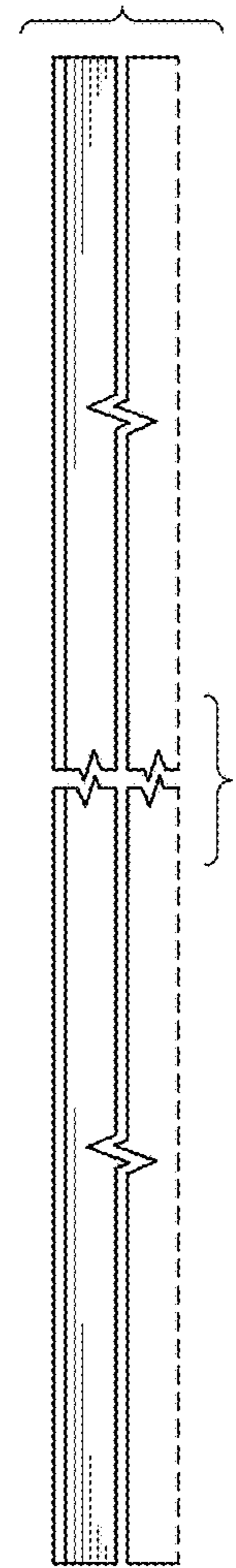


FIG. 5

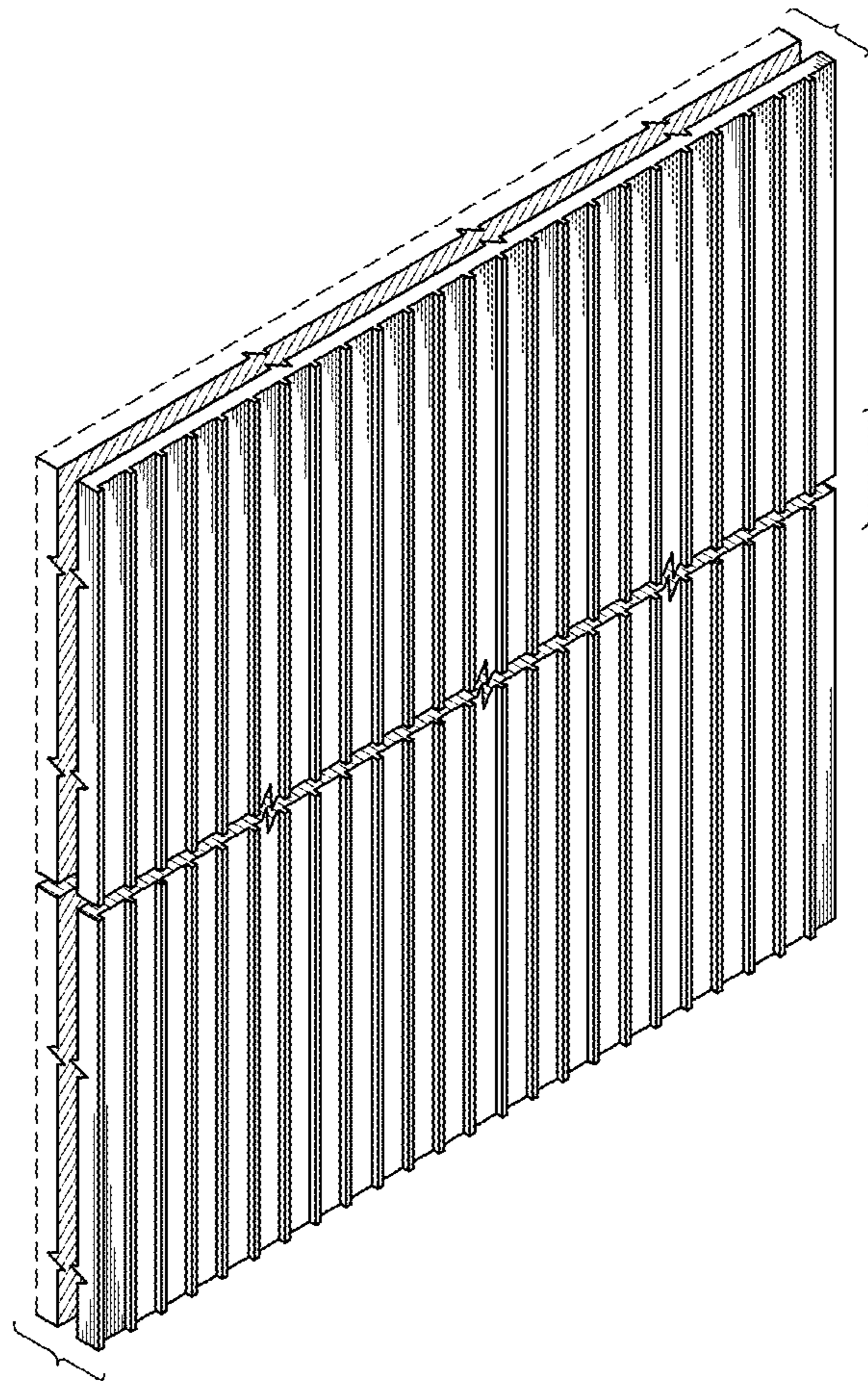


FIG. 6

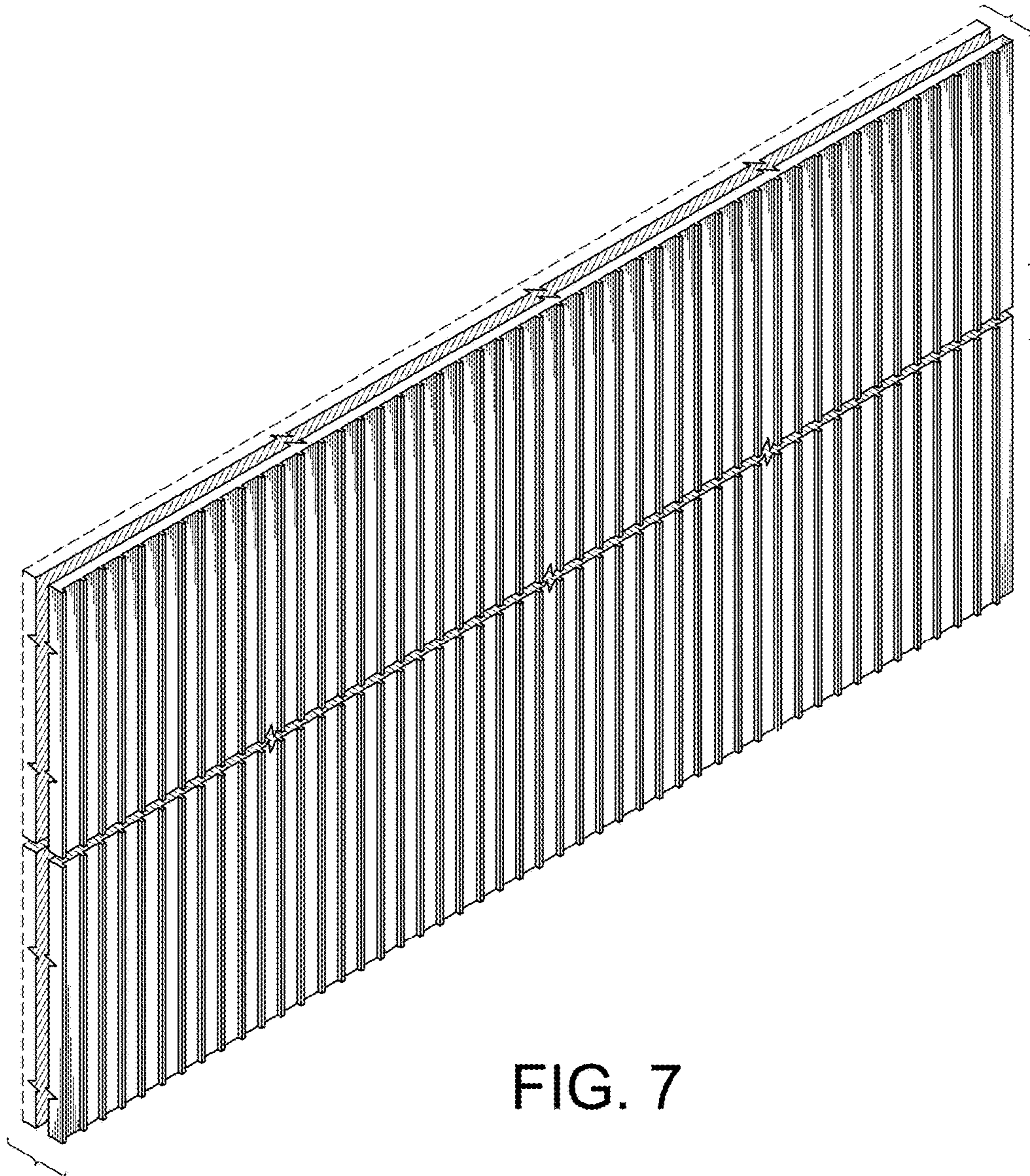


FIG. 7

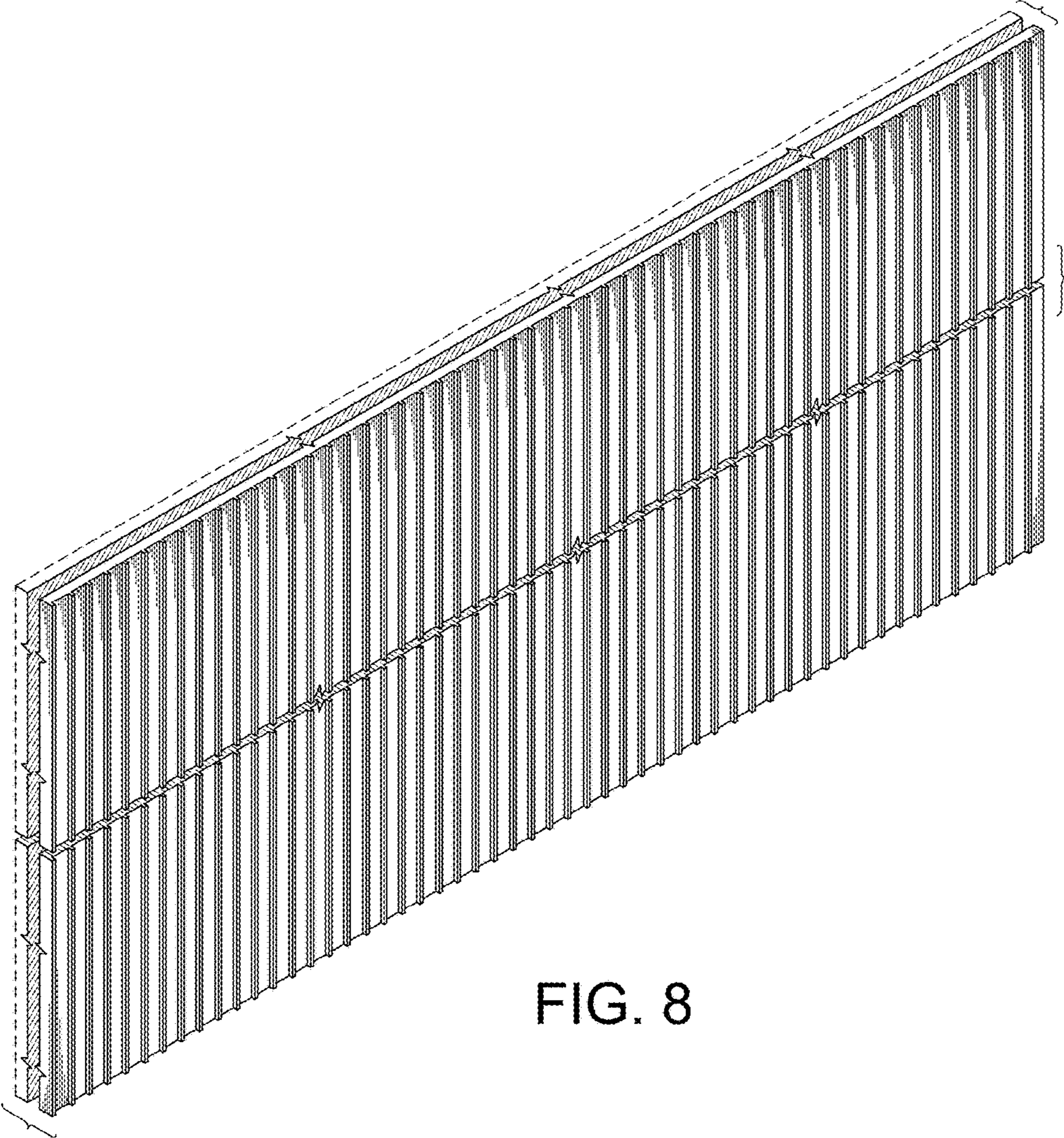


FIG. 8