



US00D843008S

(12) **United States Design Patent** (10) **Patent No.:** **US D843,008 S**  
**Blaszczak et al.** (45) **Date of Patent:** **\*\* Mar. 12, 2019**

(54) **FLUID HANDLING TUBE WITH CAP**

7,574,789 B2 \* 8/2009 Reichenbach ..... B01L 3/5082  
29/455.1

(71) Applicant: **BIOTIX, INC.**, San Diego, CA (US)

D608,900 S \* 1/2010 Giraud ..... D24/216  
7,674,388 B2 \* 3/2010 Emerson ..... B01L 3/50215

(72) Inventors: **Peter Paul Blaszczak**, San Diego, CA (US); **Arta Motadel**, San Diego, CA (US)

7,915,029 B2 \* 3/2011 Haubert ..... B01L 3/50215  
210/511  
422/402

(Continued)

(73) Assignee: **Biotix, Inc.**, San Diego, CA (US)

**FOREIGN PATENT DOCUMENTS**

(\*\*) Term: **15 Years**

EP 0 513 901 11/1992  
WO WO 2017/123504 7/2017

(21) Appl. No.: **29/551,771**

**OTHER PUBLICATIONS**

(22) Filed: **Jan. 15, 2016**

(51) **LOC (11) Cl.** ..... **24-02**

International Preliminary Report on Patentability dated Jul. 26, 2018 for International Application No. PCT/US2017/012743, filed Jan. 9, 2017 and published as WO 2017/123504 dated Jul. 20, 2017.

(52) **U.S. Cl.**

USPC ..... **D24/224**

(Continued)

(58) **Field of Classification Search**

USPC ..... D24/224-232, 216, 217, 219; 211/126.1; 422/549-553, 558, 916; 435/288.1, 435/288.4, 304.1; D9/505, 439, 452, 453  
CPC ..... B01L 9/06; B01L 9/065  
See application file for complete search history.

*Primary Examiner* — Susan Bennett Hattan

*Assistant Examiner* — Rebecca Tsehaye

(74) *Attorney, Agent, or Firm* — Grant IP, Inc.

(56) **References Cited**

(57) **CLAIM**

The ornamental design for fluid handling tube with cap, as shown and described.

**U.S. PATENT DOCUMENTS**

**DESCRIPTION**

- 3,005,564 A \* 10/1961 Weichselbaum .... B01L 3/50825  
215/353
- 3,900,122 A \* 8/1975 Dichter ..... B65D 39/04  
215/43
- D249,708 S \* 9/1978 Smith ..... 24/55
- D289,379 S \* 4/1987 DeVaughn ..... D9/452
- D318,728 S \* 7/1991 Braune ..... D24/224
- 5,114,030 A 5/1992 Conard
- 6,136,273 A \* 10/2000 Seguin ..... B01L 3/50853  
206/443
- D461,545 S \* 8/2002 Nishio ..... D23/259
- 6,651,835 B2 \* 11/2003 Iskra ..... B01L 3/5082  
215/12.1
- 6,932,942 B2 \* 8/2005 Itoh ..... B01L 9/06  
422/50

FIG. 1 shows a top view of a fluid handling tube with cap assembly embodiment.

FIG. 2 shows a side view thereof.

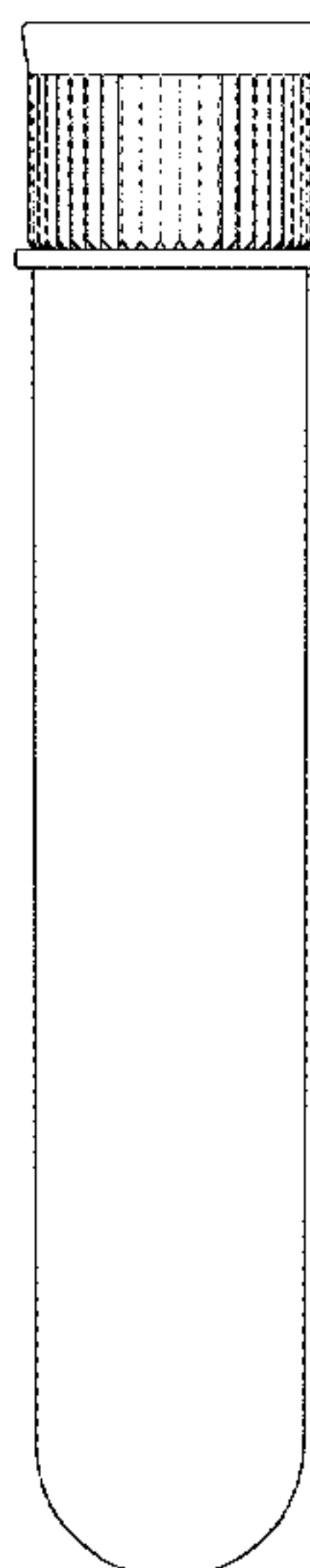
FIG. 3 shows a cross section view thereof in the direction of the line 3-3 in FIG. 1.

FIG. 4 shows a top view of a fluid handling tube with cap assembly embodiment.

FIG. 5 shows a side view thereof; and,

FIG. 6 shows a cross section view thereof in the direction of the line 6-6 in FIG. 4.

**1 Claim, 2 Drawing Sheets**



(56)

**References Cited**

U.S. PATENT DOCUMENTS

7,959,866 B2 \* 6/2011 Crawford ..... B01L 3/5082  
220/23.83  
D647,627 S \* 10/2011 Wilkinson ..... D24/224  
D679,411 S \* 4/2013 Hosoya ..... D24/224  
8,415,169 B2 \* 4/2013 Haubert ..... B01L 3/50215  
210/782  
D698,651 S \* 2/2014 Sommer ..... D9/453  
D703,345 S \* 4/2014 Tajima ..... D24/224  
D709,374 S \* 7/2014 Wilcox ..... D9/453  
D742,027 S \* 10/2015 Lentz ..... D24/224  
D751,921 S \* 3/2016 Lam ..... D9/504  
D755,634 S \* 5/2016 Dittmer ..... D9/452  
D777,341 S \* 1/2017 Oguro ..... D24/224  
D778,459 S \* 2/2017 Tajima ..... D24/224  
2012/0141341 A1 6/2012 Bartfeld et al.

OTHER PUBLICATIONS

International Search Report dated Apr. 18, 2017 for International Application No. PCT/US2017/012743, filed Jan. 9, 2017 and published as WO 2017/123504 dated Jul. 20, 2017.

\* cited by examiner

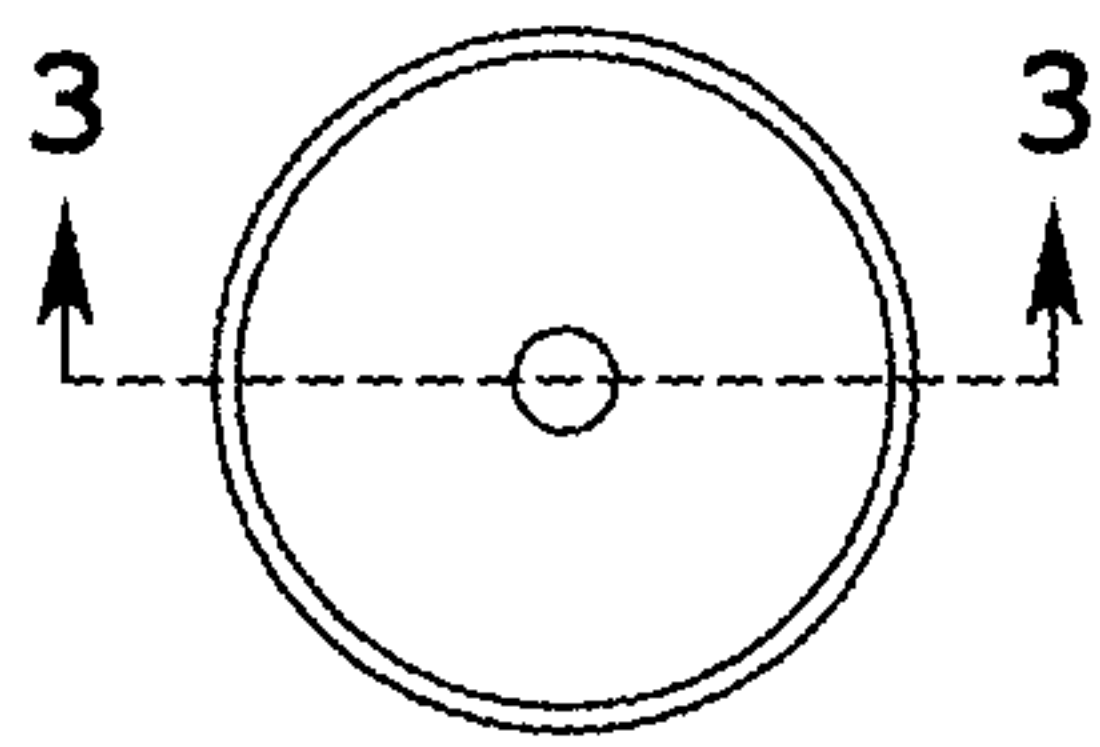


FIG. 1

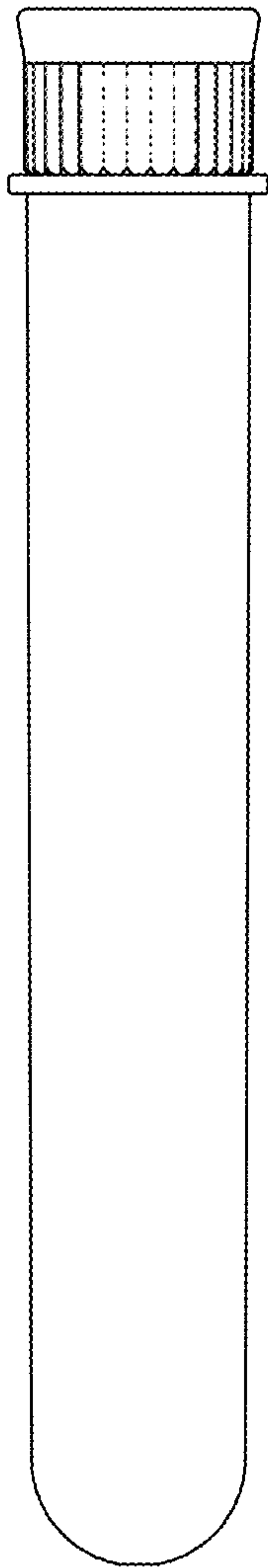


FIG. 2

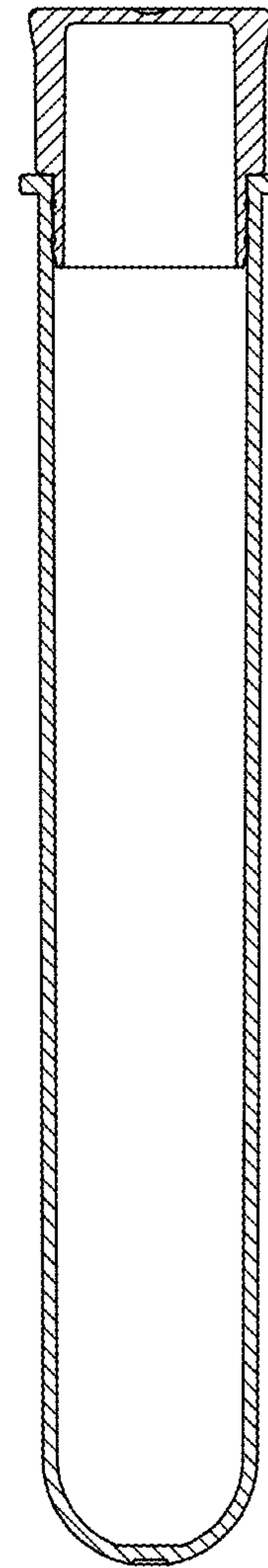


FIG. 3

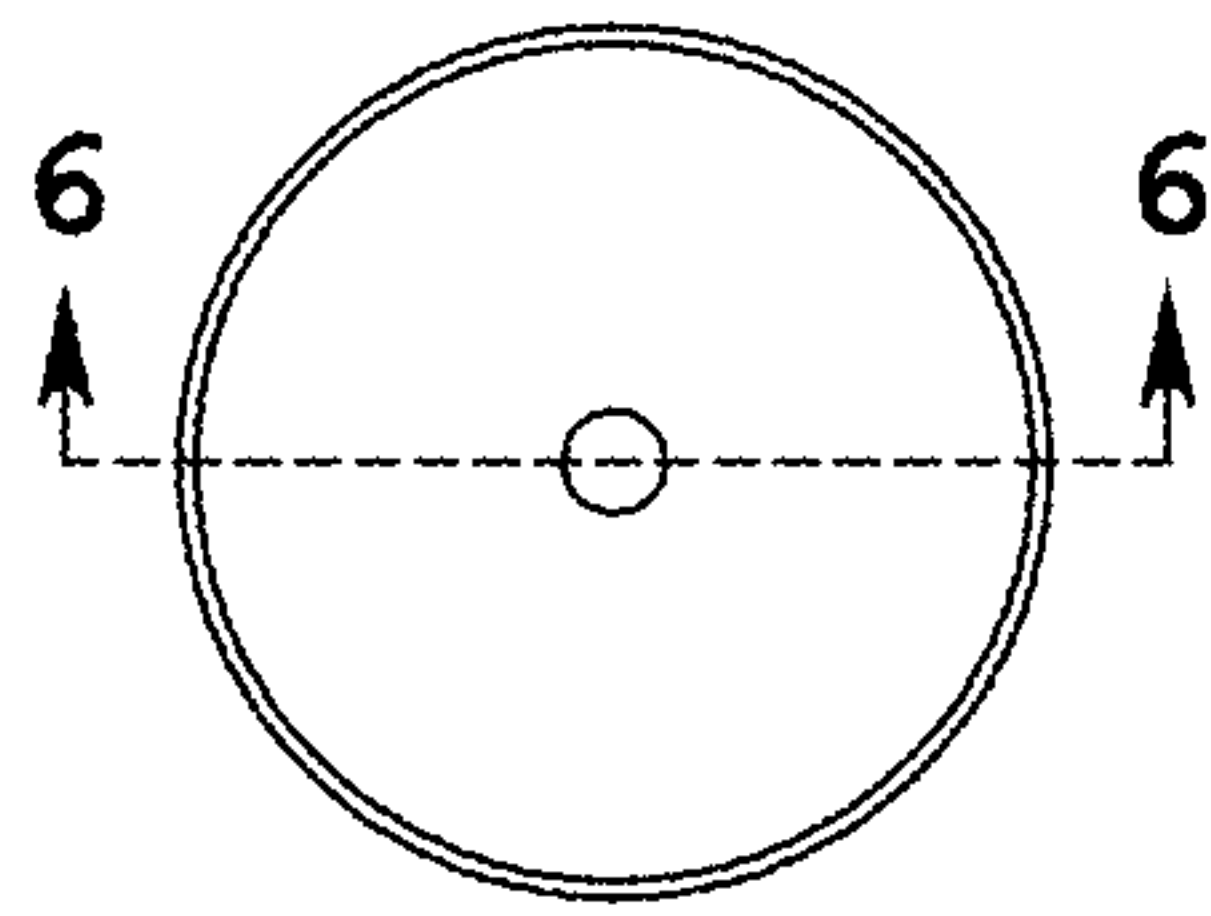


FIG. 4

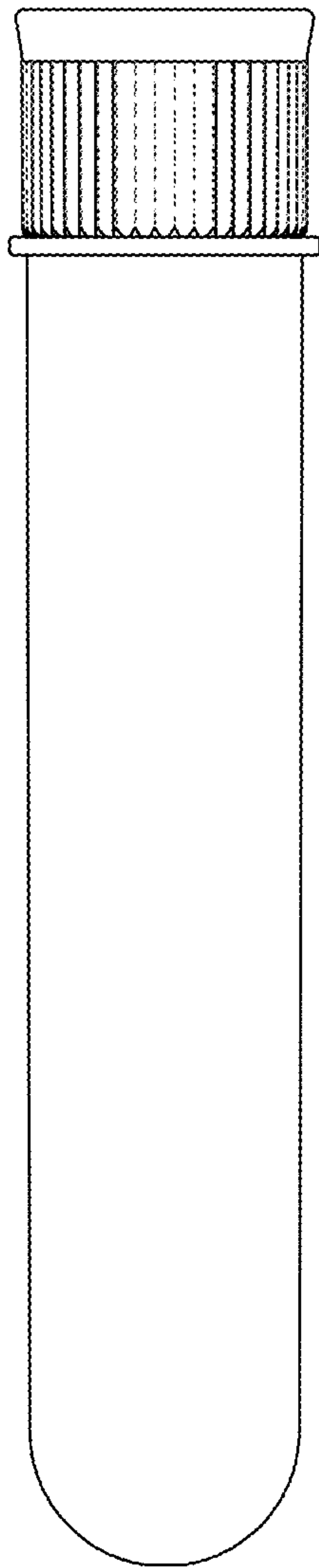


FIG. 5

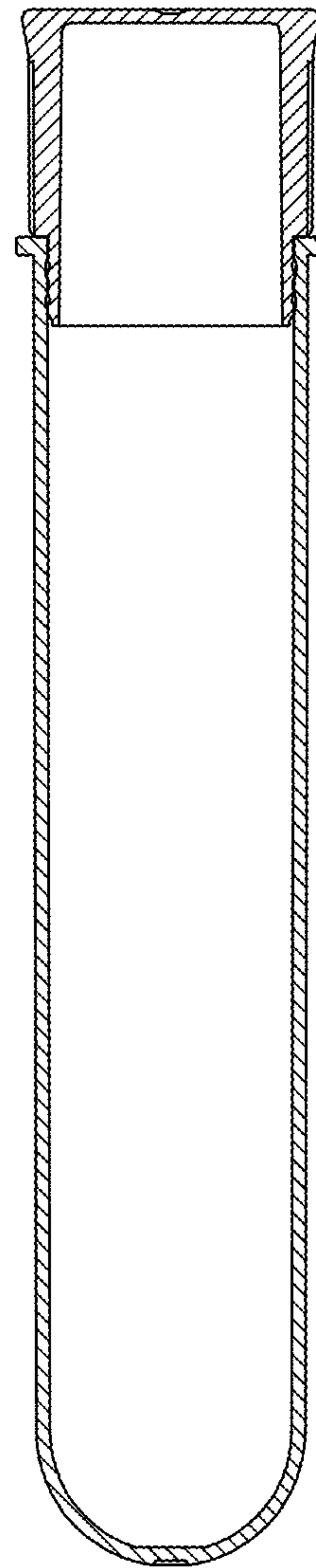


FIG. 6