



US00D843006S

(12) **United States Design Patent** (10) **Patent No.:** **US D843,006 S**
Huang et al. (45) **Date of Patent:** **** Mar. 12, 2019**

(54) **SHELL FOR A BIOLOGICAL TESTING DEVICE**

(71) Applicant: **Hiwin Technologies Corp.**, Taichung (TW)

(72) Inventors: **Shou-Yang Huang**, Taichung (TW);
Fu-Han Hsieh, Taichung (TW)

(73) Assignee: **Hiwin Technologies Corp.**, Taichung (TW)

(**) Term: **15 Years**

(21) Appl. No.: **29/584,101**

(22) Filed: **Nov. 11, 2016**

(30) **Foreign Application Priority Data**

Aug. 31, 2016 (TW) 105305070

(51) **LOC (11) Cl.** **24-01**

(52) **U.S. Cl.**
USPC **D24/216**

(58) **Field of Classification Search**

USPC D24/216-232, 107, 108, 119, 121, 162,
D24/169, 186, 201, 233, 234; D10/81;
422/553; 435/297.5, 305.3

CPC G01N 2035/00306; G01N 2035/00326;
G01N 2035/00336; G01N 2035/00029;
G01N 2035/0401; G01N 2035/0403;
G01N 2035/0405; G01N 2035/00019;
G01N 2030/027; G01N 35/08; G01N
35/02; G01N 35/021; G01N 35/026;
G01N 35/028; G01N 35/04; G01N 1/22;
G01N 1/2205; G01N 1/2273; G01N
33/497; G01N 33/4977; B01L 2300/0809;
B01L 2300/0816; B01L 2300/0822; B01L
2300/0832; B01L 2300/0806; B01L
2300/0861; B01L 2300/0829; B01L
3/5085; B01L 3/50853

See application file for complete search history.

(56) **References Cited**

U.S. PATENT DOCUMENTS

D299,533 S * 1/1989 Blanco D24/169
D593,426 S * 6/2009 Huang D10/46
D609,351 S * 2/2010 Wagener D24/186

(Continued)

FOREIGN PATENT DOCUMENTS

CN 304144629 * 5/2017

Primary Examiner — Anhdao Doan

Assistant Examiner — Mary Shannon Malley

(74) *Attorney, Agent, or Firm* — Trop Pruner & Hu, P.C.

(57) **CLAIM**

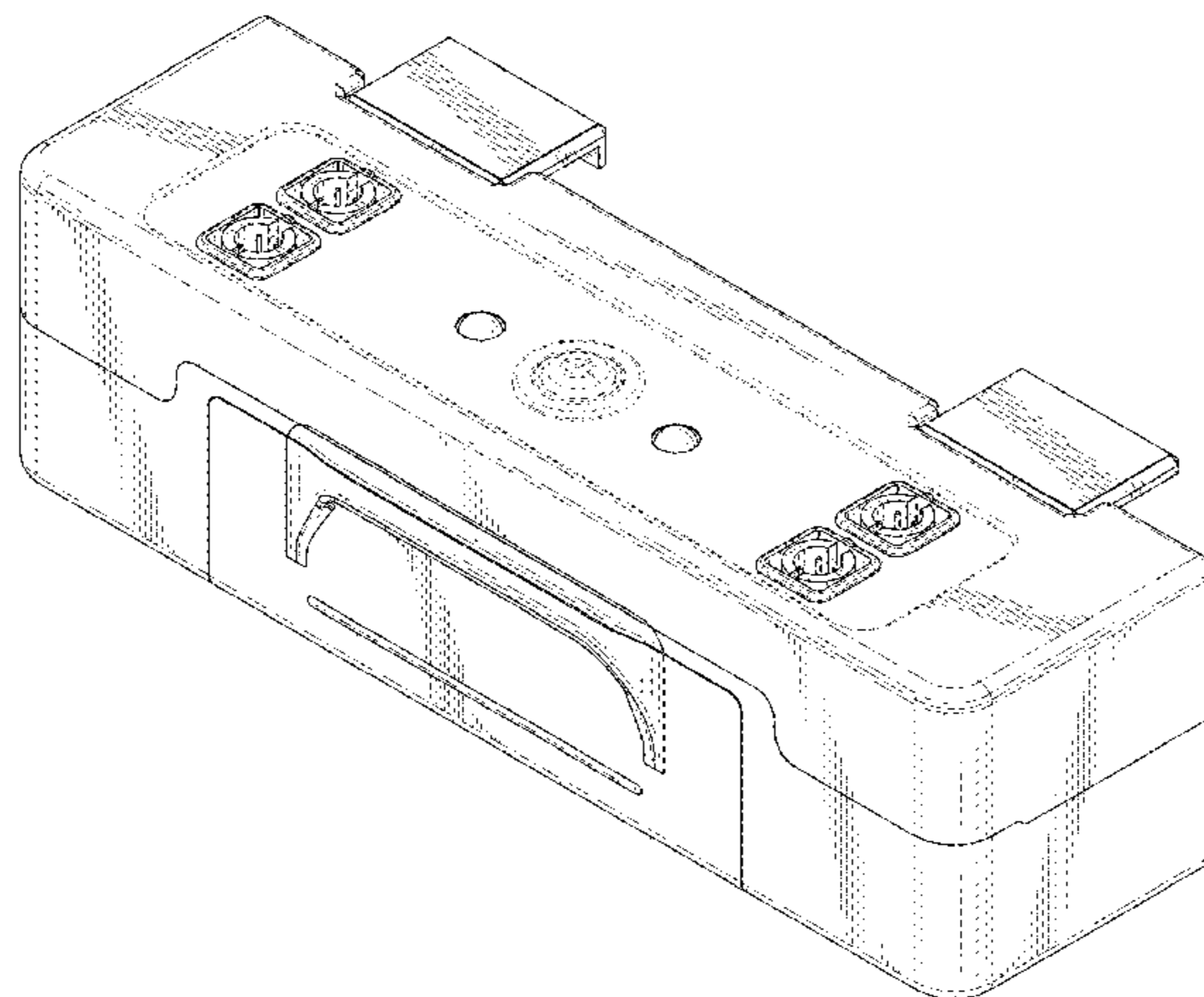
The ornamental design for a shell for a biological testing device, as shown and described.

DESCRIPTION

FIG. 1 is a top perspective view of a shell for a biological testing device showing our new design; FIG. 2 is a front elevational view thereof; FIG. 3 is a rear elevational view thereof; FIG. 4 is a left side elevational view thereof; FIG. 5 is a right side elevational view thereof; FIG. 6 is a top plan view thereof; FIG. 7 is a bottom plan view thereof; FIG. 8 is a bottom perspective view thereof; FIG. 9 is another top perspective view thereof; FIG. 10 is another bottom perspective view thereof; FIG. 11 is an enlarged view of a circled portion 11 of FIG. 9; and, FIG. 12 is an enlarged view of a circled portion 12 of FIG. 10.

The broken lines show portions of the shell for a biological testing device that form no part of the claimed design. The bottom surfaces of the recesses formed in the top and bottom surfaces of the shell for a biological testing device form no part of the claimed design.

1 Claim, 12 Drawing Sheets



(56)

References Cited

U.S. PATENT DOCUMENTS

D645,979	S *	9/2011	Oonuma	D24/232
D679,827	S *	4/2013	Flamm	D24/222
D719,275	S *	12/2014	Gutmann	D24/216
D740,426	S *	10/2015	Lin	D24/162
D765,257	S *	8/2016	Marzynski	D24/186
D765,258	S *	8/2016	Marzynski	D24/186
D785,198	S *	4/2017	Lemke	D24/232
2007/0176495	A1 *	8/2007	Huang	H02K 9/22 310/12.29
2014/0191109	A1 *	7/2014	Chamberlin	G02B 7/36 250/201.7
2017/0233192	A1 *	8/2017	Peng	B65G 25/06 198/750.1

* cited by examiner

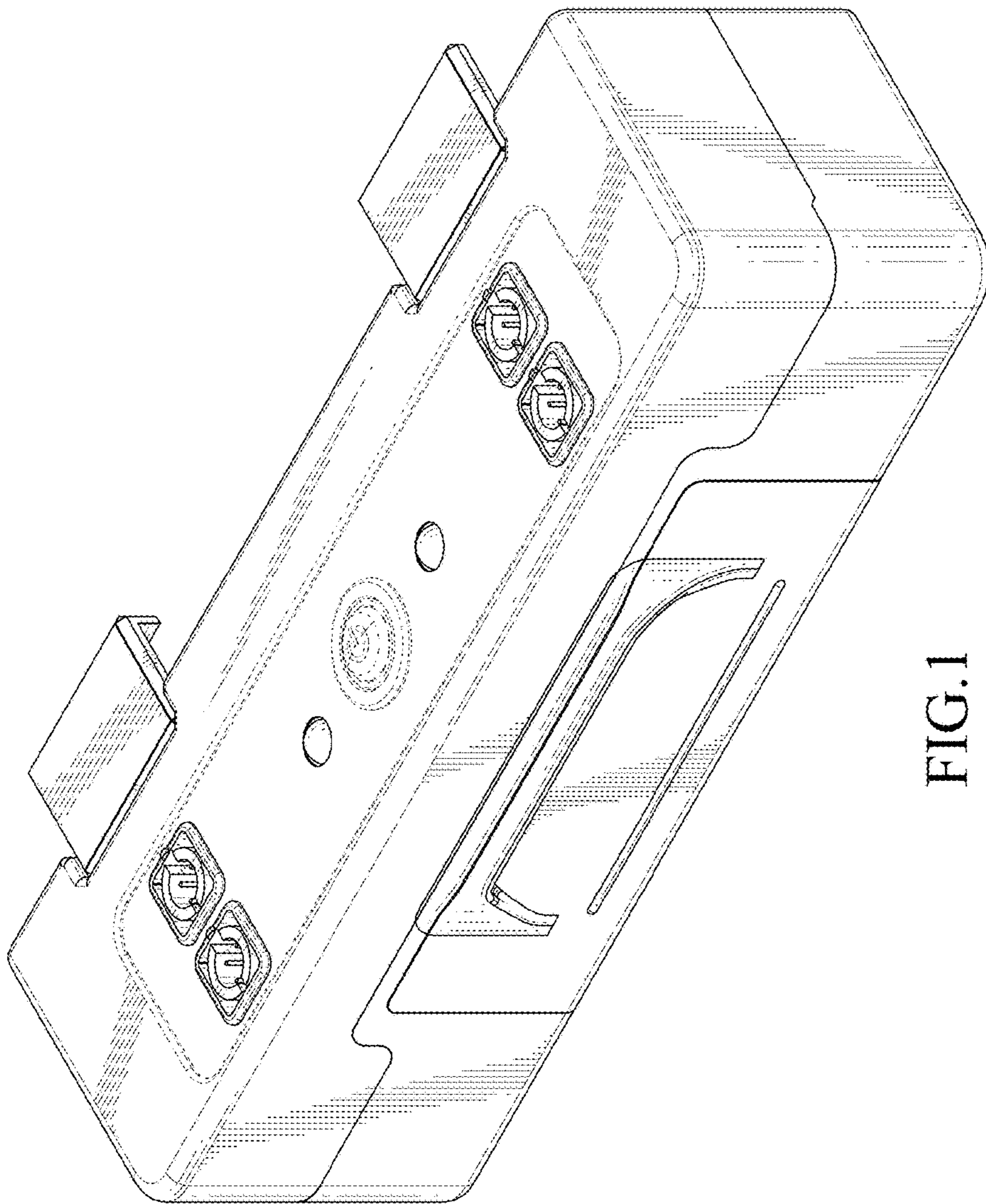


FIG. 1

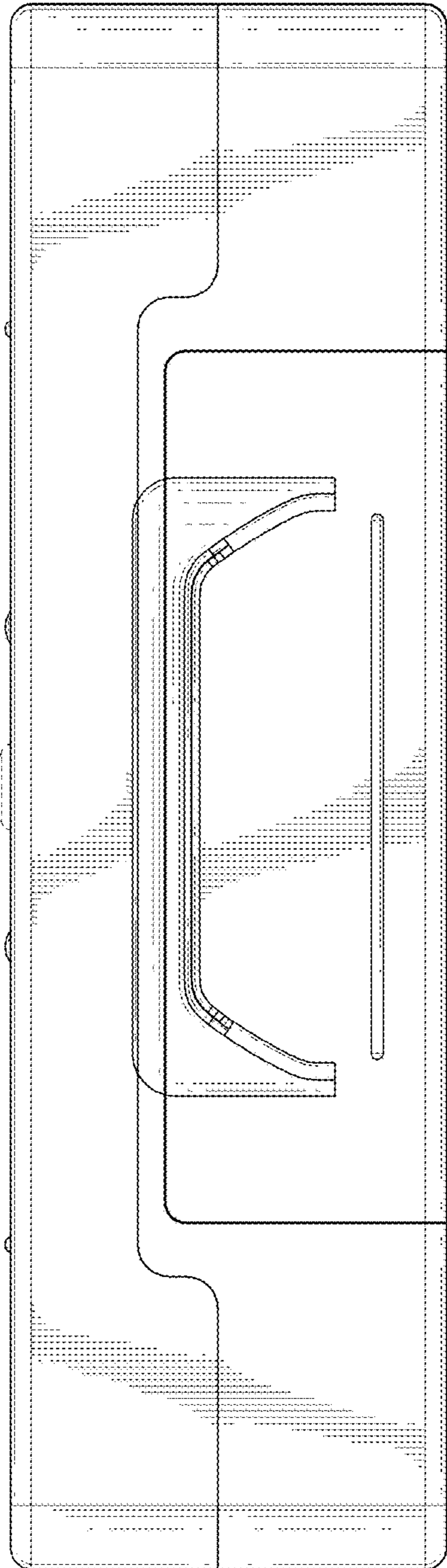


FIG. 2

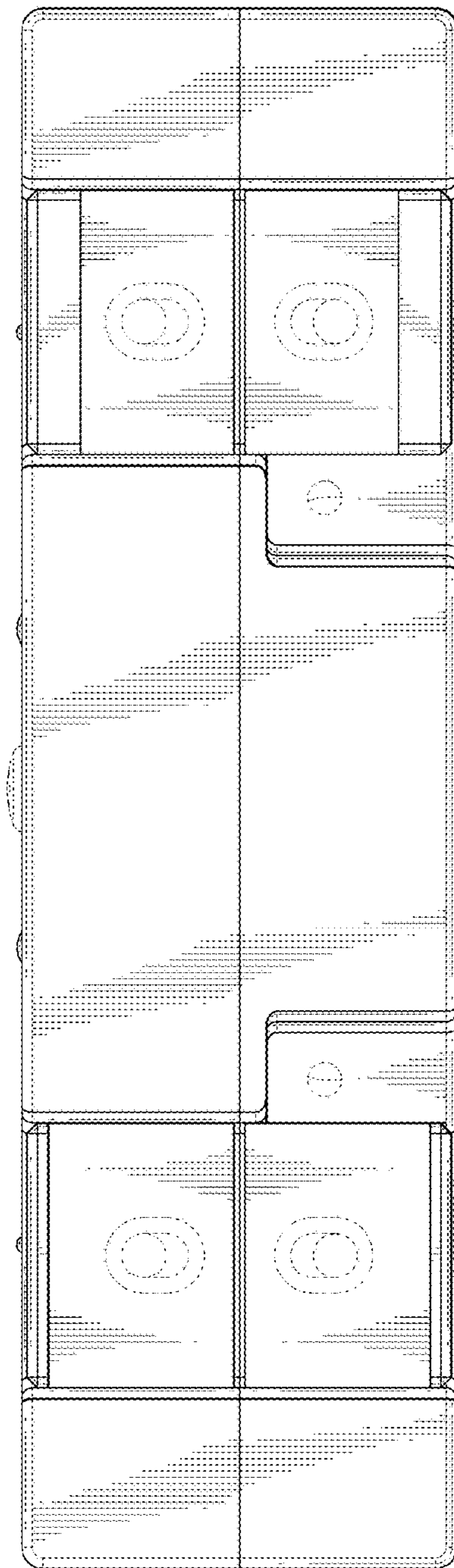


FIG.3

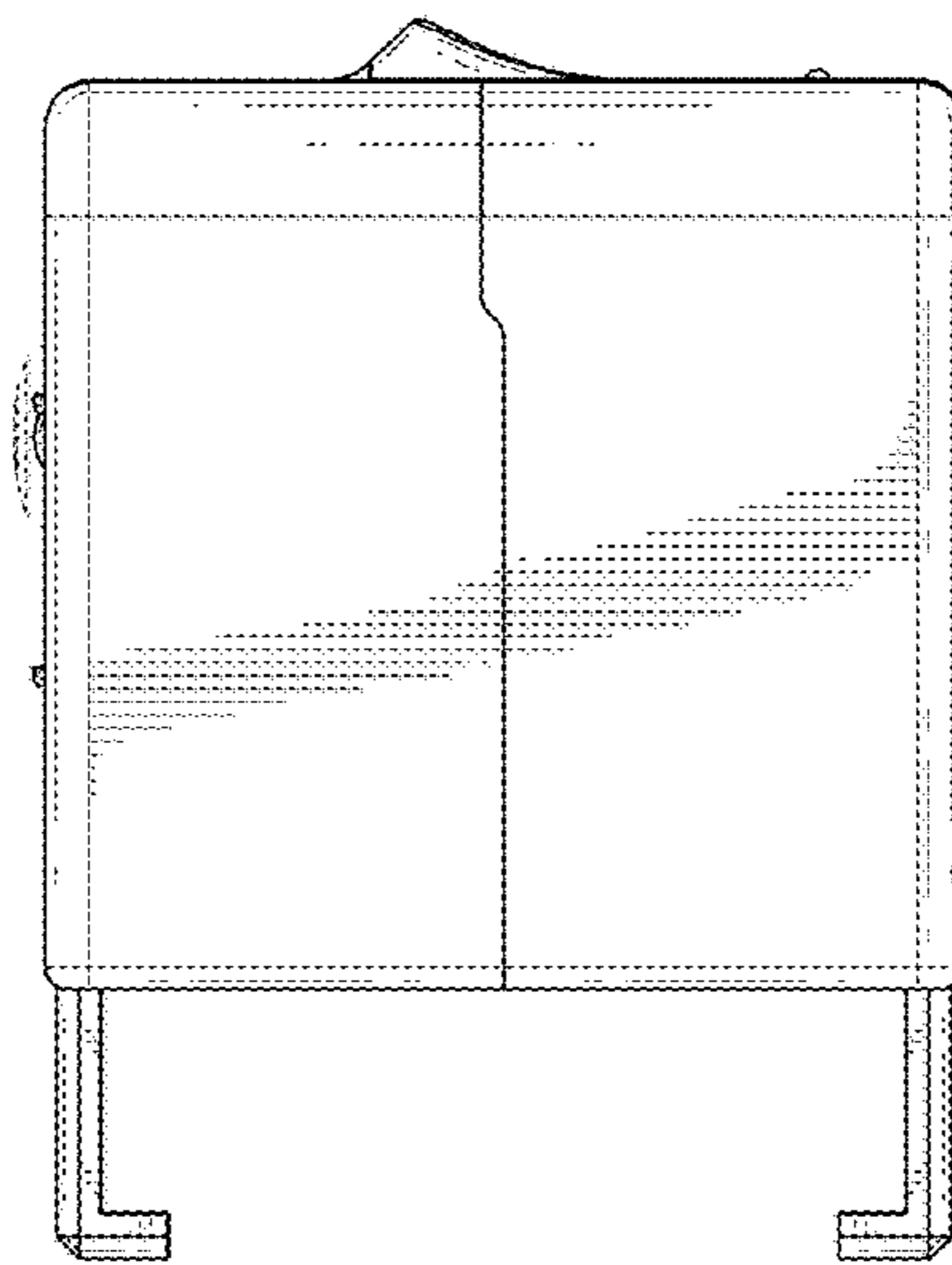


FIG.4

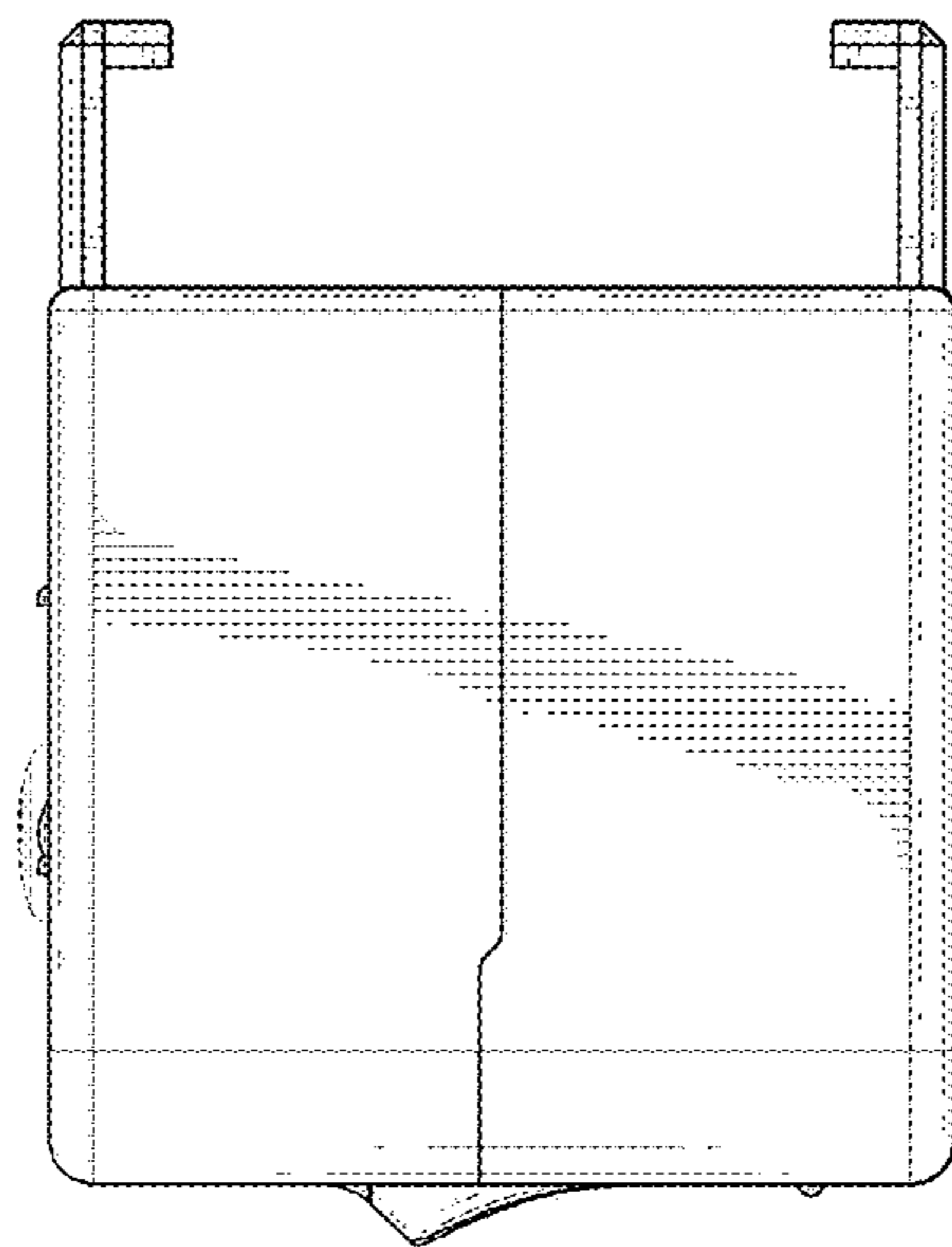


FIG.5

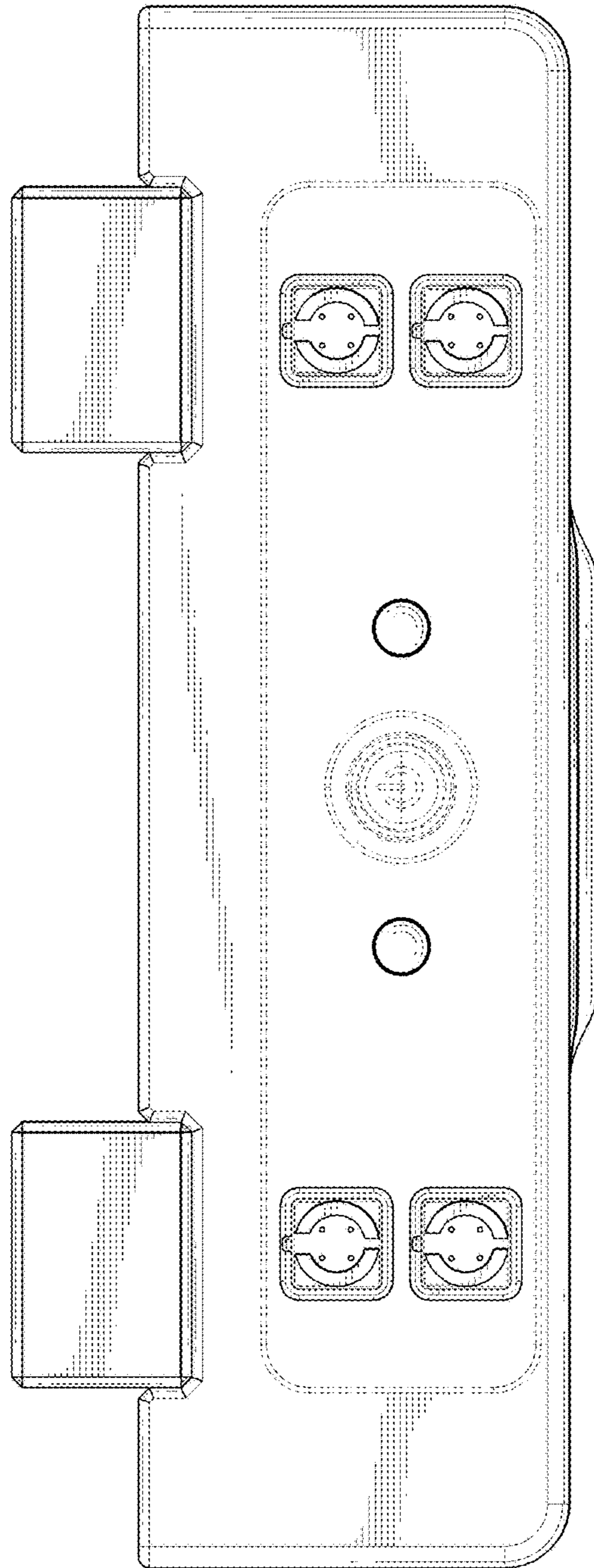


FIG.6

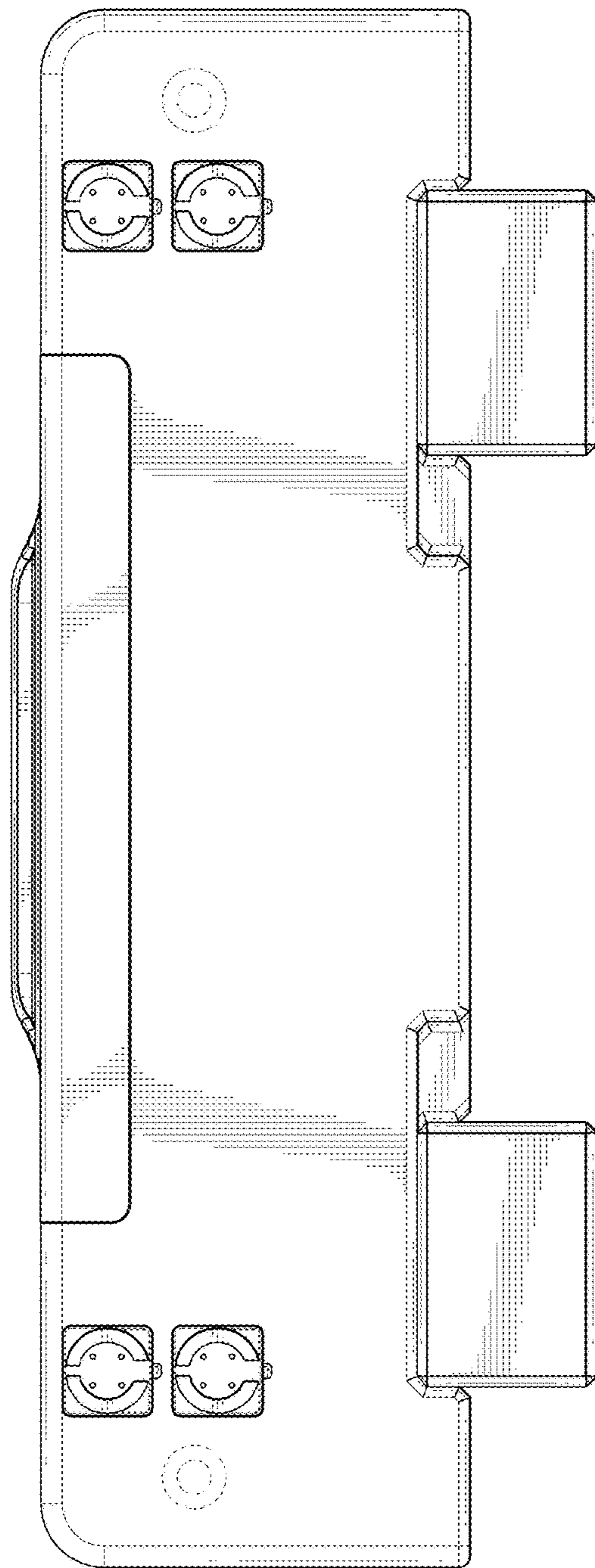


FIG. 7

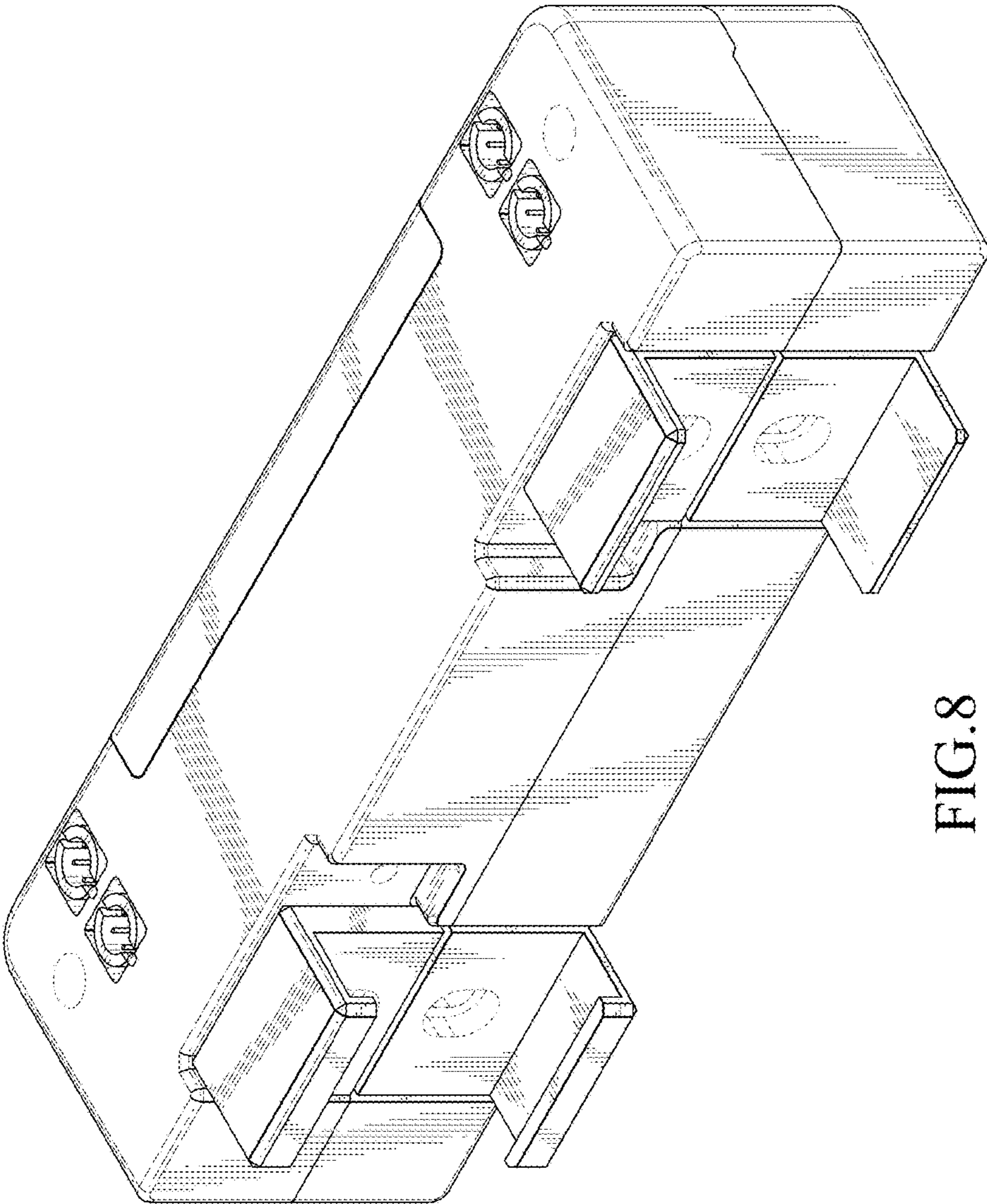


FIG.8

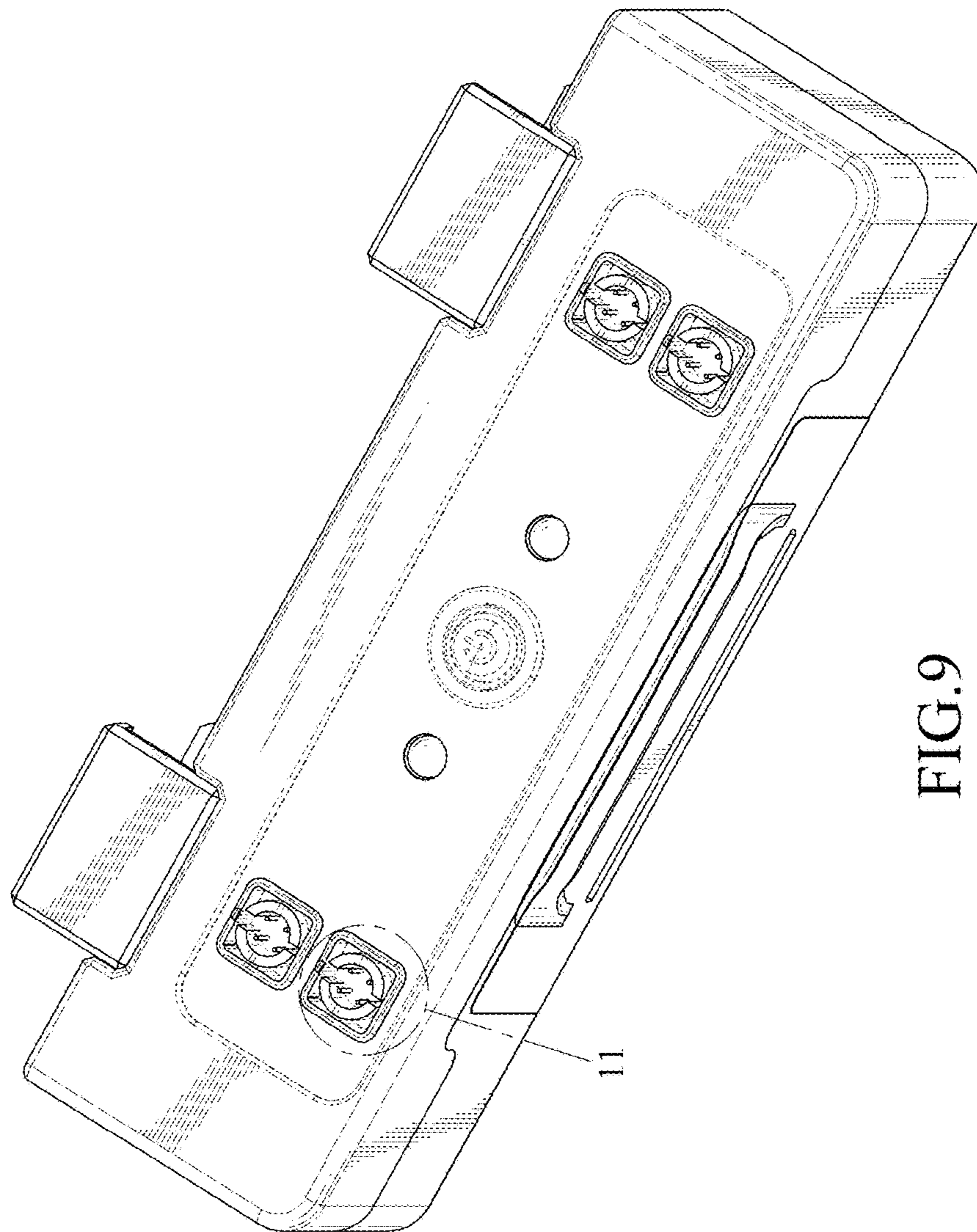


FIG. 9

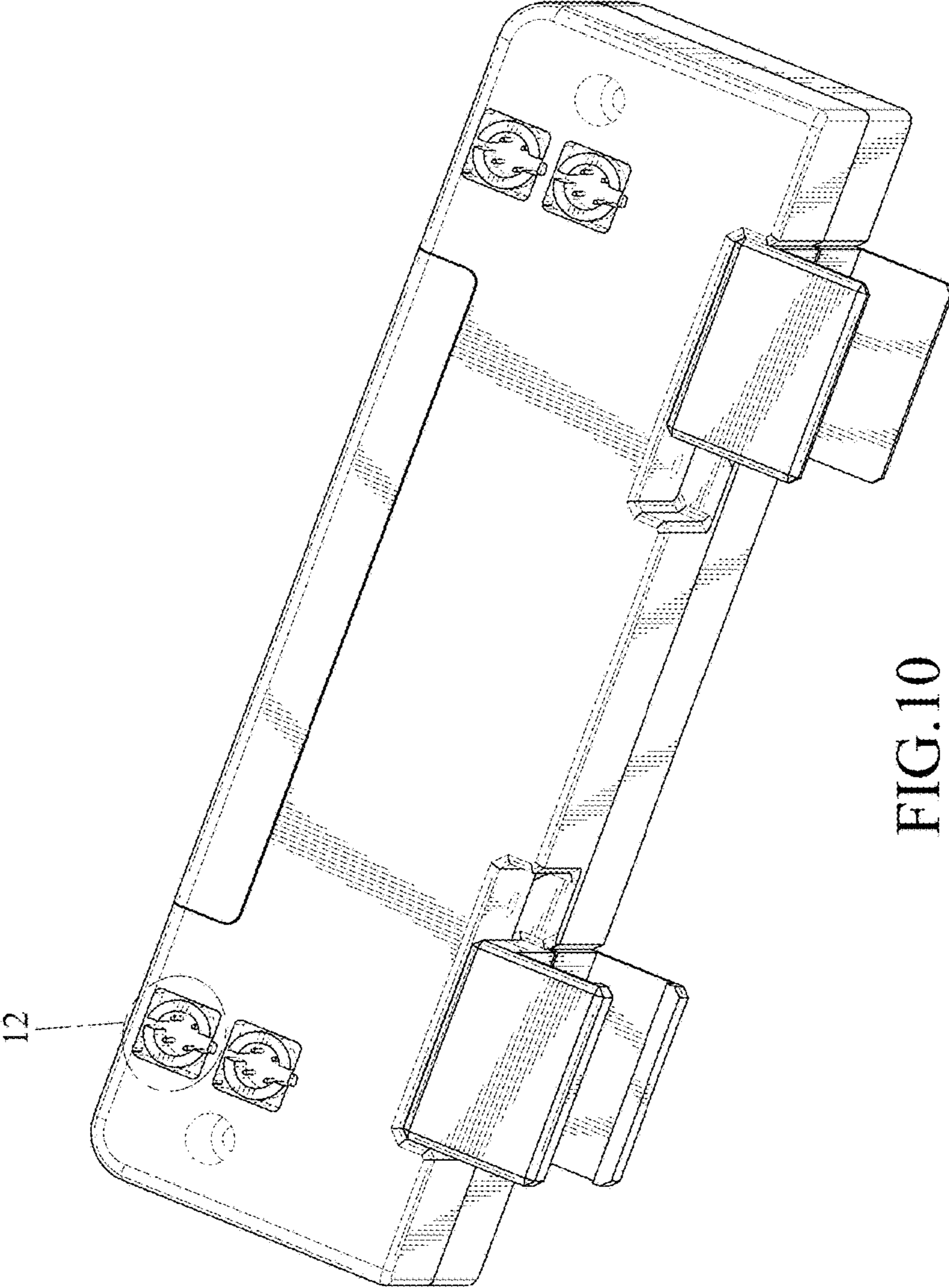


FIG. 10

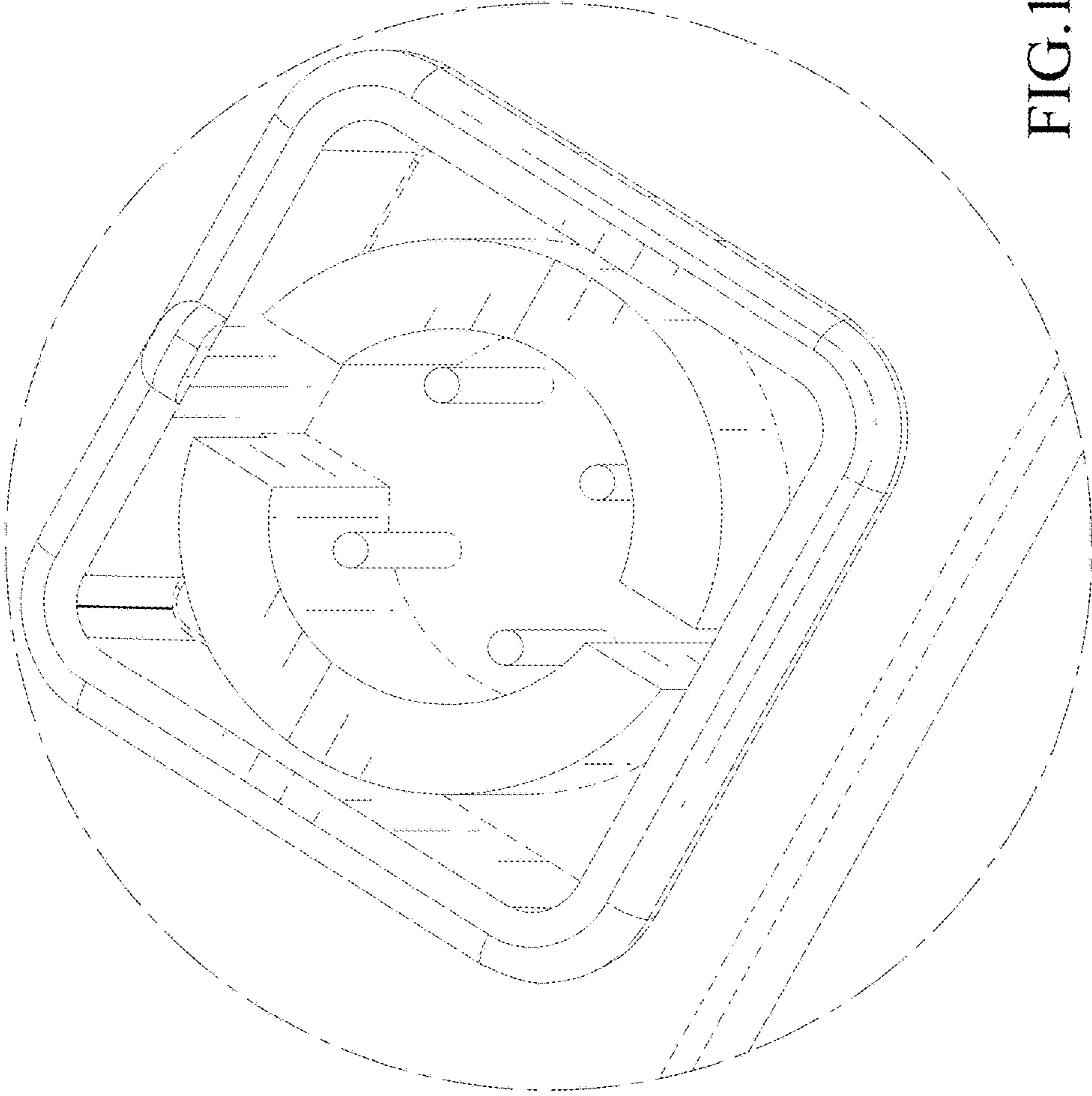


FIG.11

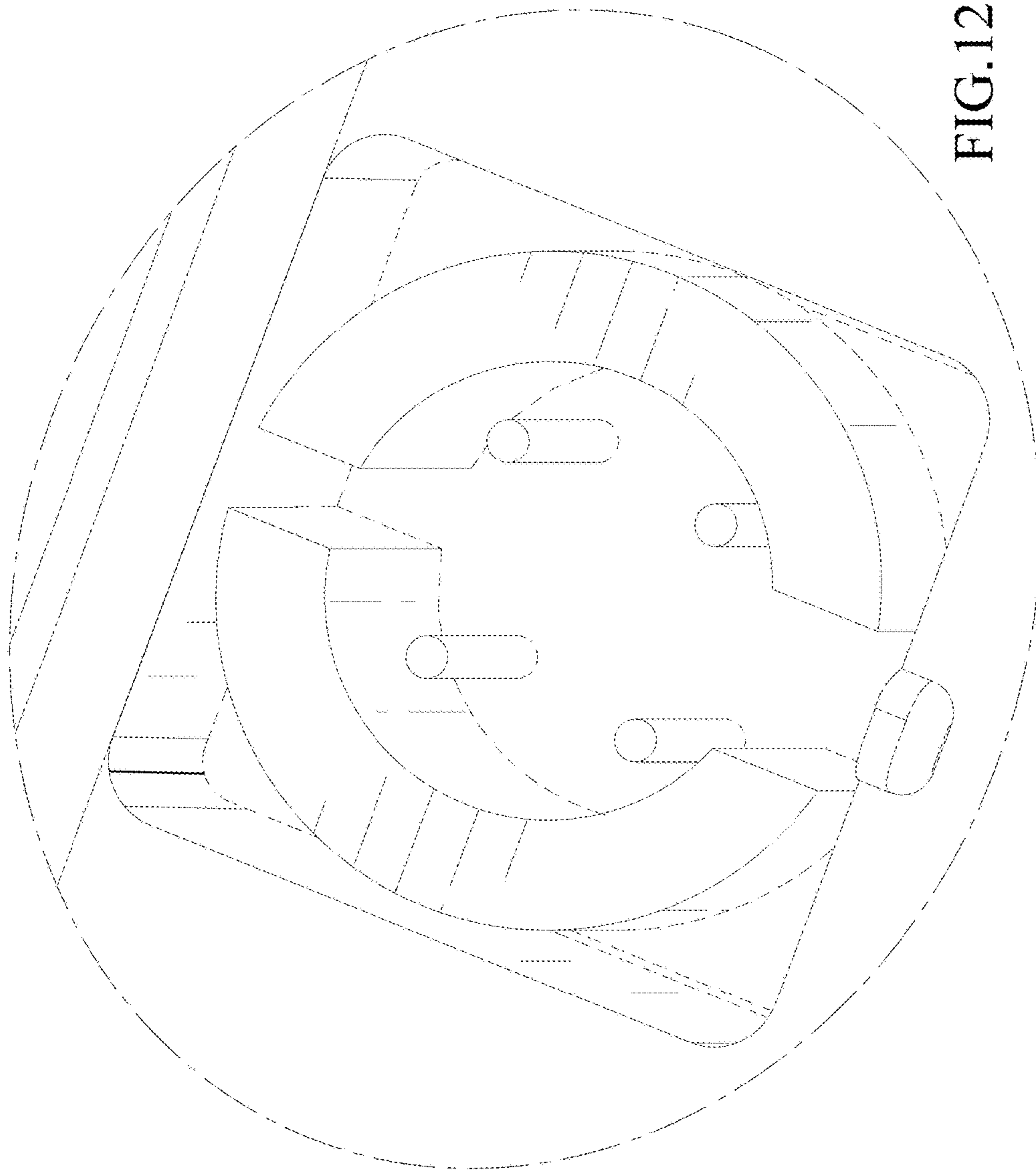


FIG. 12