



US00D843004S

(12) **United States Design Patent**
Lampert

(10) **Patent No.:** **US D843,004 S**
(45) **Date of Patent:** **** Mar. 12, 2019**

- (54) **ADULT NOVELTY**
- (71) Applicant: **Tremor, LLC**, Albuquerque, NM (US)
- (72) Inventor: **Keith A. Lampert**, Albuquerque, NM (US)
- (73) Assignee: **Tremor LLC**, Albuquerque, NM (US)
- (**) Term: **15 Years**
- (21) Appl. No.: **29/606,058**
- (22) Filed: **Jun. 1, 2017**
- (51) **LOC (11) Cl.** **28-03**
- (52) **U.S. Cl.**
USPC **D24/215**
- (58) **Field of Classification Search**
USPC .. 601/15, 18, 19, 27, 28-32, 46, 47, 48, 52, 601/99, 112, 113, 118, 135, 137, DIG. 12, 601/DIG. 14, DIG. 15, DIG. 16, DIG. 17; D24/200, 211, 212, 213, 214, 215; 600/38, 39, 40, 41
CPC A61H 2201/5025; A61H 2230/505; A61H 7/004; A61H 19/34
See application file for complete search history.

- D524,447 S * 7/2006 Yu D24/215
- D545,444 S * 6/2007 Cianfrani D24/200
- 7,273,460 B1 * 9/2007 Nan A61H 19/44
601/101
- 7,572,240 B2 * 8/2009 Nan A61H 19/44
601/101

(Continued)

OTHER PUBLICATIONS

Amazon, "The Tremor—Rock & Roll Sex Toy", Mar. 24, 2018. https://www.amazon.com/Tremor-Rock-Machine-Compare-Sybian/product-reviews/B074VP7BZN/ref=cm_cr_arp_d_viewopt_srt?ie=UTF8&reviewerType=all_reviews&sortBy=recent&pageNumber=1. (Year: 2018).*

(Continued)

Primary Examiner — Cynthia Ramirez
Assistant Examiner — Michael A Maharajh
(74) *Attorney, Agent, or Firm* — Peacock Law P.C.;
Deborah A. Peacock; Justin R. Jackson

(57) **CLAIM**

The ornamental design for an adult novelty, as shown and described.

DESCRIPTION

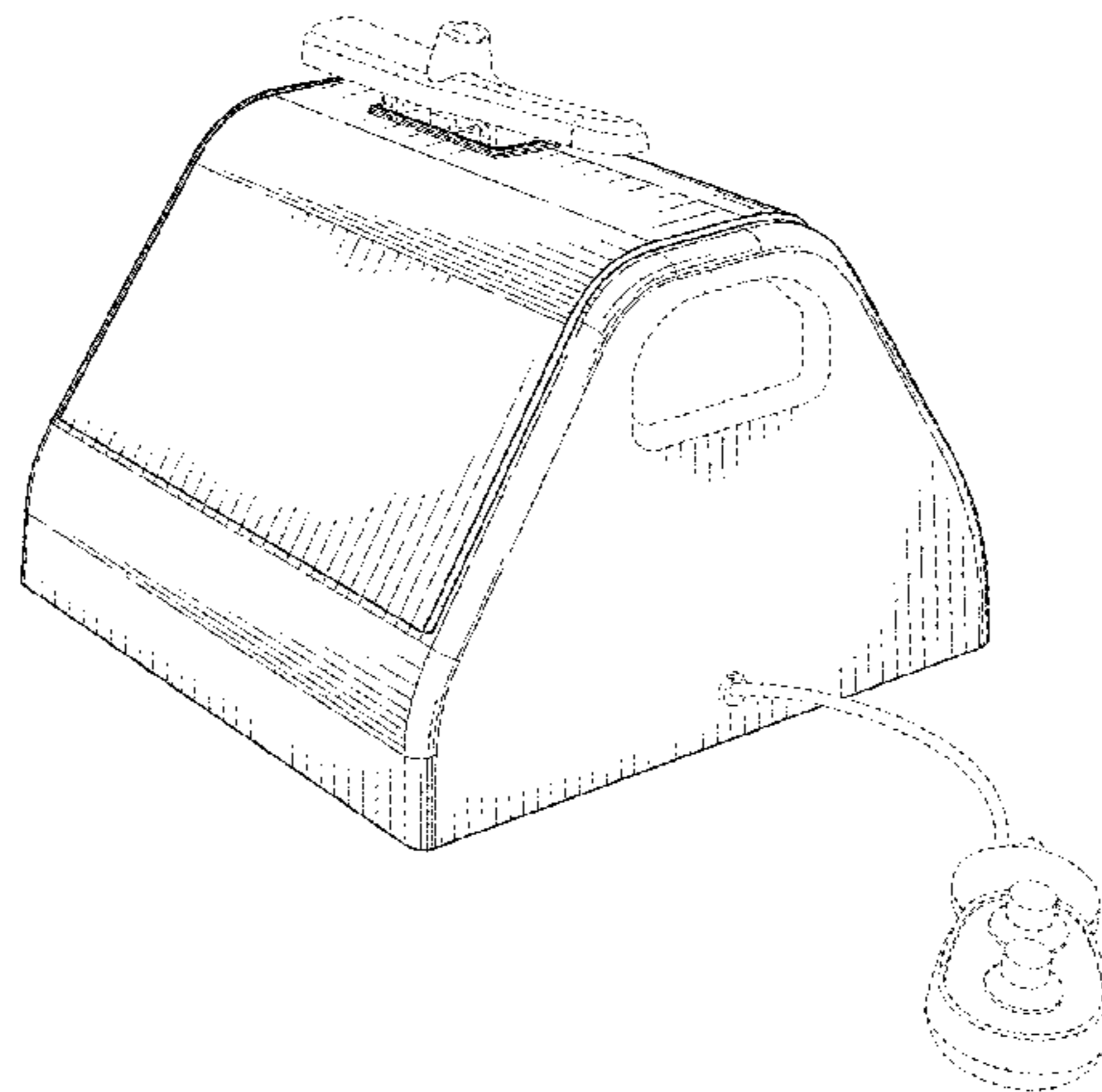
FIG. 1 is a perspective front view of the adult novelty showing my new design;
FIG. 2 is front view of the adult novelty in FIG. 1;
FIG. 3 is a rear view thereof;
FIG. 4 is a right side view thereof;
FIG. 5 is a left side view thereof;
FIG. 6 is a top view thereof;
FIG. 7 is a bottom view thereof; and,
FIG. 8 is a front perspective view showing the pad in an alternate position thereof.
The broken lines shown in the drawings are for the purpose of illustrating portions of the adult novelty, which form no part of the claimed design.

1 Claim, 6 Drawing Sheets

(56) **References Cited**

U.S. PATENT DOCUMENTS

- 4,098,266 A * 7/1978 Muchisky A61H 23/0263
601/108
- 5,415,621 A * 5/1995 Campbell A61H 7/004
601/112
- D375,797 S * 11/1996 Lin D24/213
- D379,661 S * 6/1997 You D24/213
- D384,159 S * 9/1997 Tsai D24/200
- 5,667,482 A * 9/1997 Cheng A61H 7/002
601/108
- D387,872 S * 12/1997 Lazari D24/215
- D397,225 S * 8/1998 Lange D24/215
- D397,474 S * 8/1998 Lazari D24/215
- D466,218 S * 11/2002 Dalton D24/215
- D476,087 S * 6/2003 Dirks D24/215
- D483,127 S * 12/2003 Ardizzone D24/215



(56)

References Cited

U.S. PATENT DOCUMENTS

D698,450 S * 1/2014 Kwon D24/215
D698,934 S * 2/2014 Manseau D24/215
D739,544 S * 9/2015 Xia D24/215
2005/0209538 A1* 9/2005 Lev A61H 15/0078
601/15

OTHER PUBLICATIONS

“Sybian”, <http://www.sybian.com>, 1997.

* cited by examiner

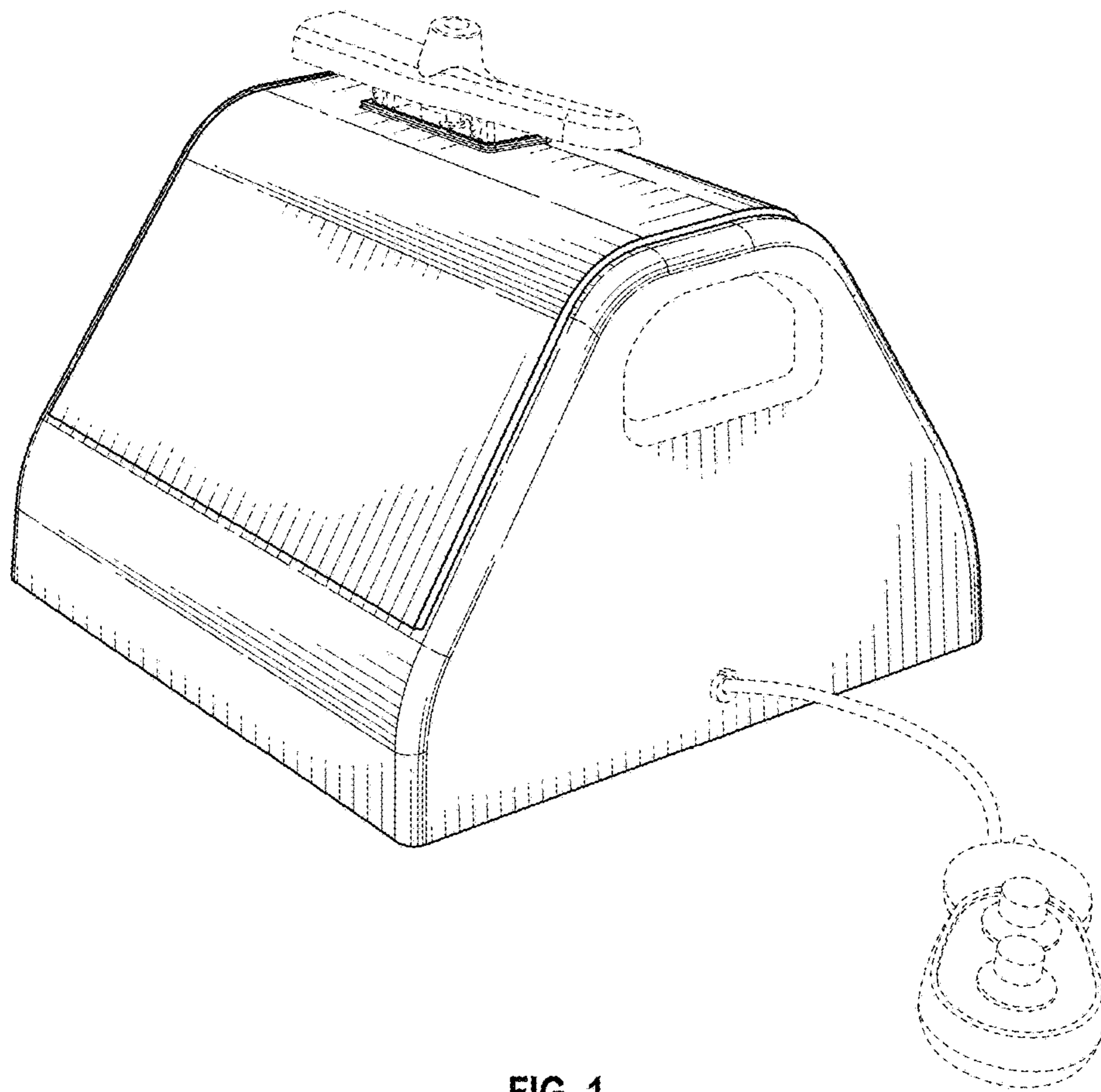


FIG. 1

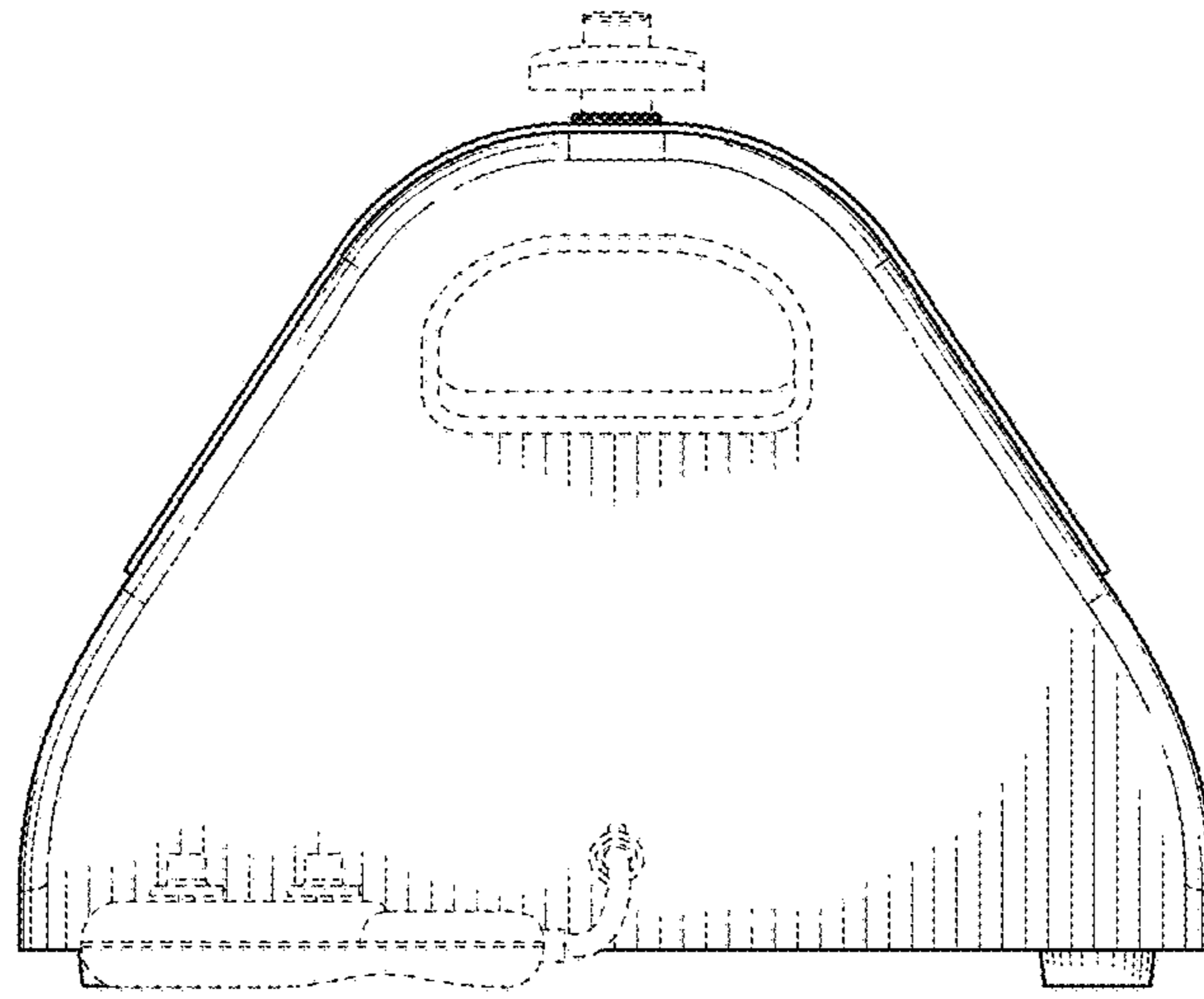


FIG. 2

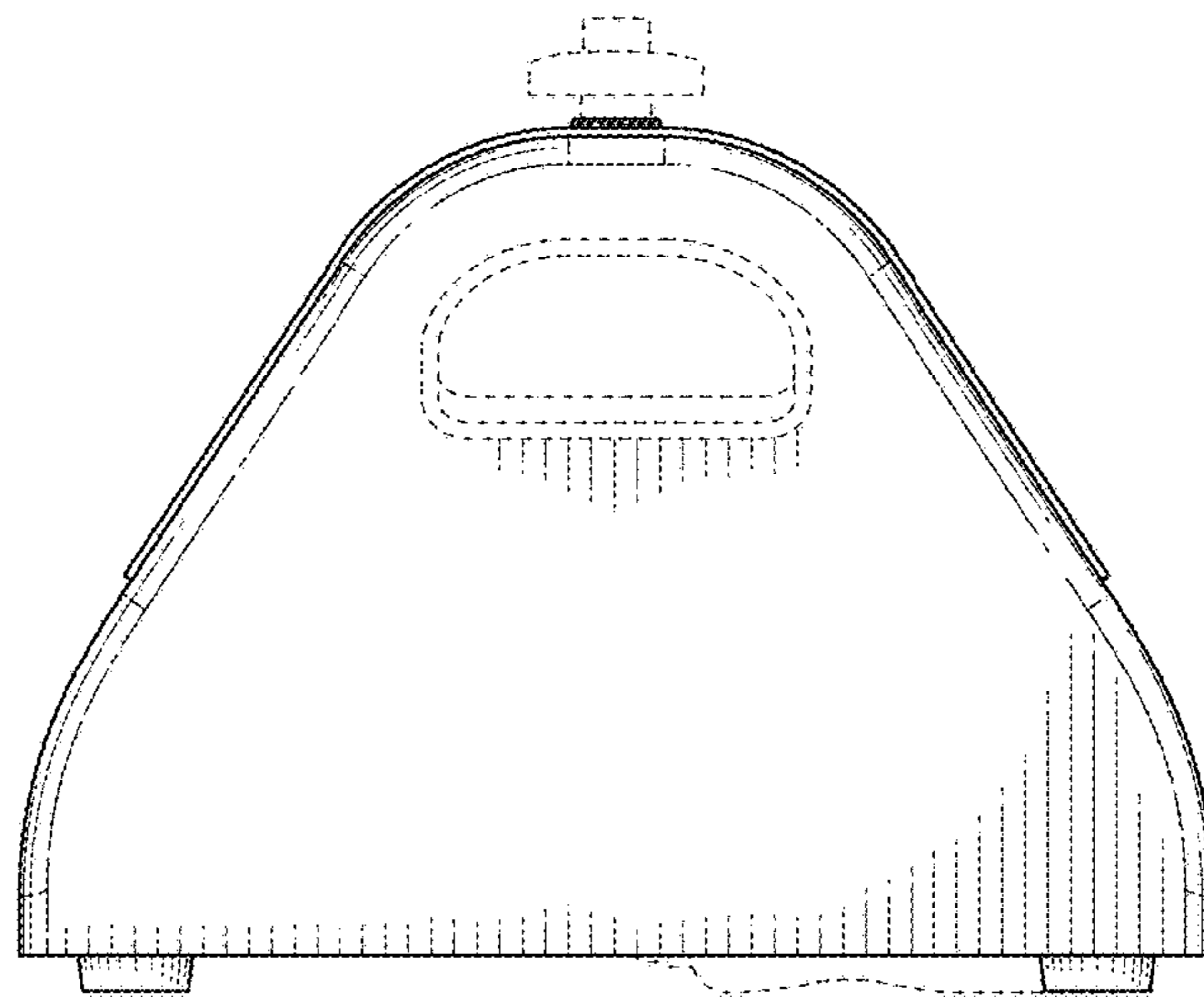


FIG. 3

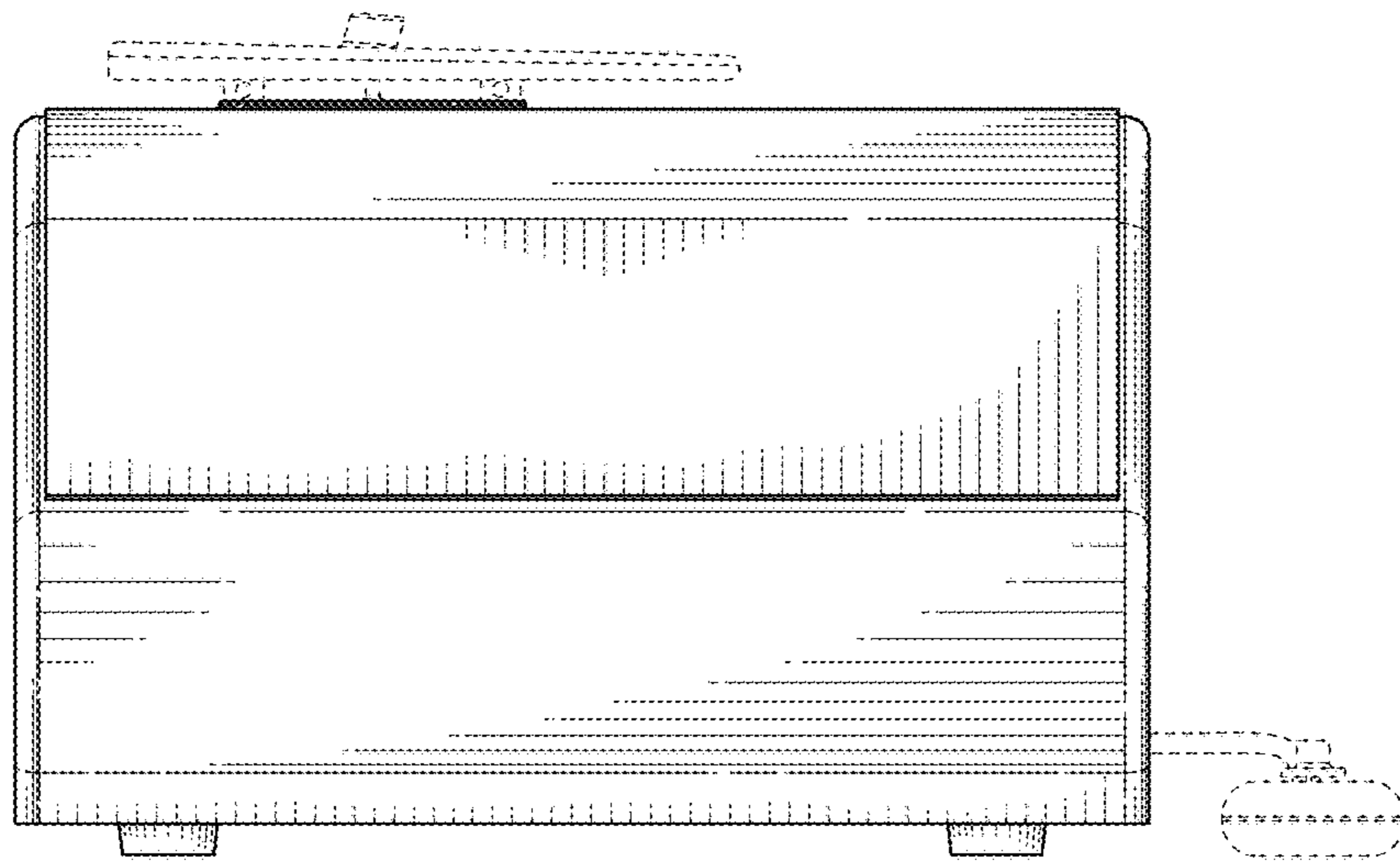


FIG. 4

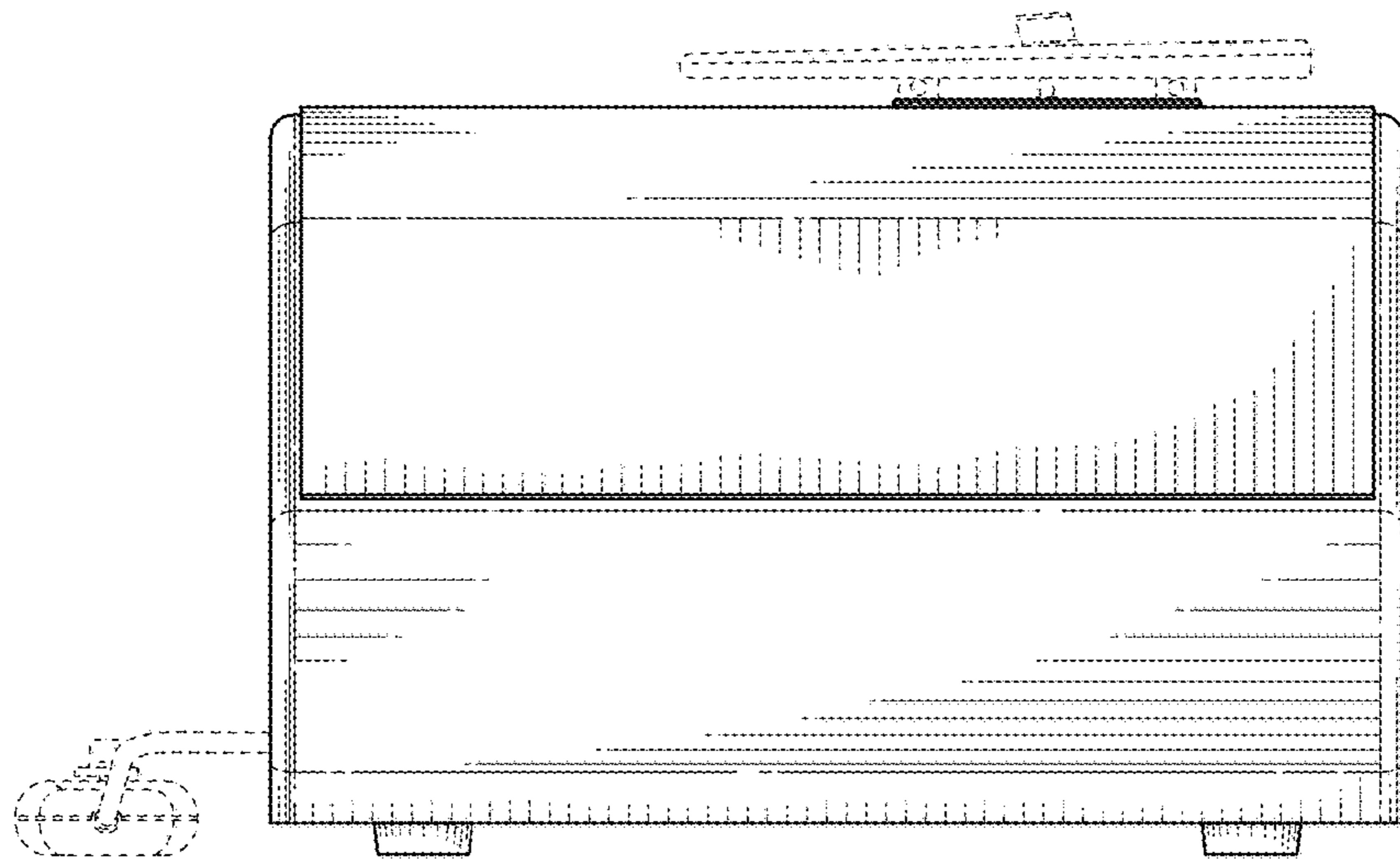


FIG. 5

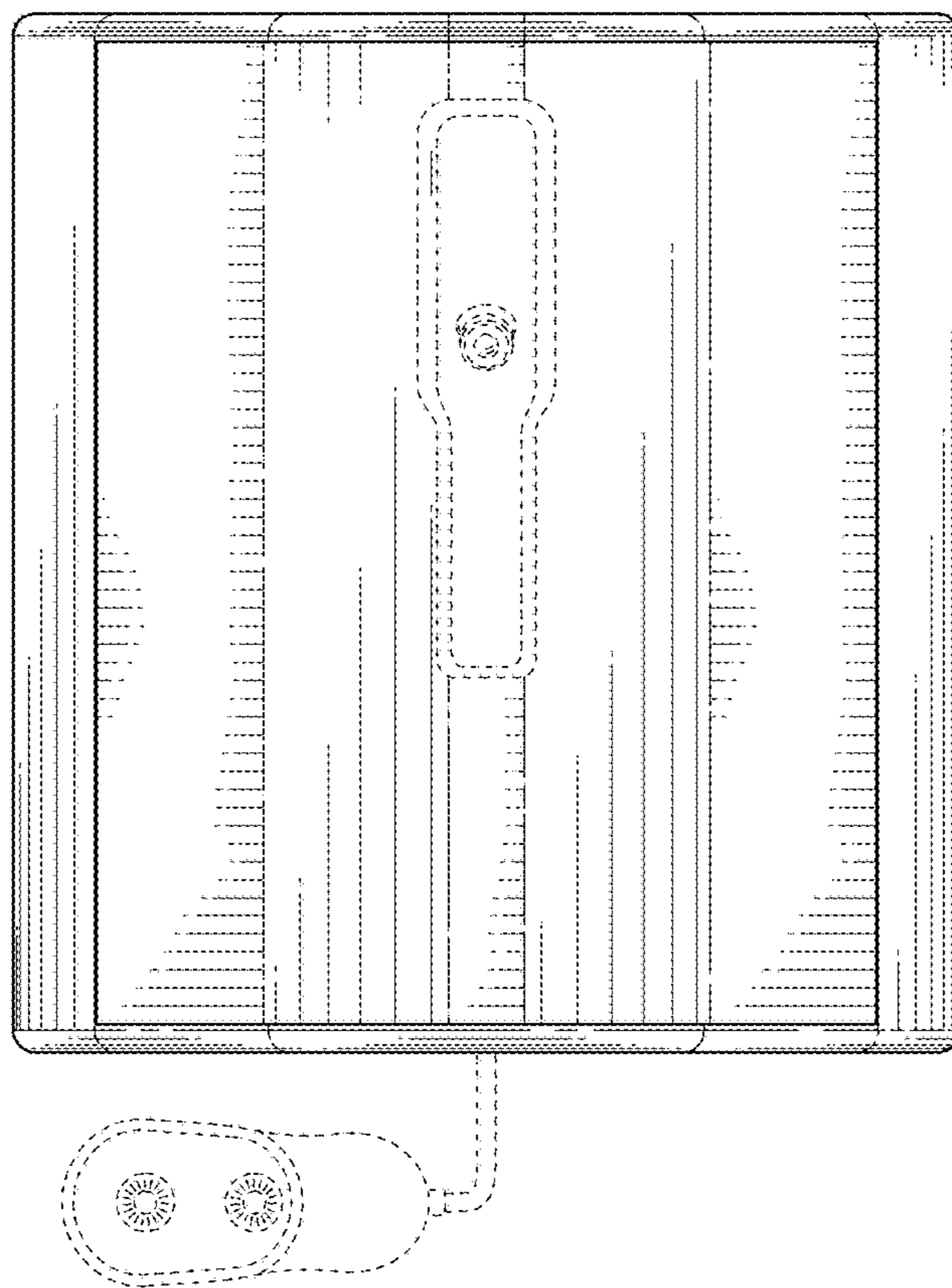


FIG. 6

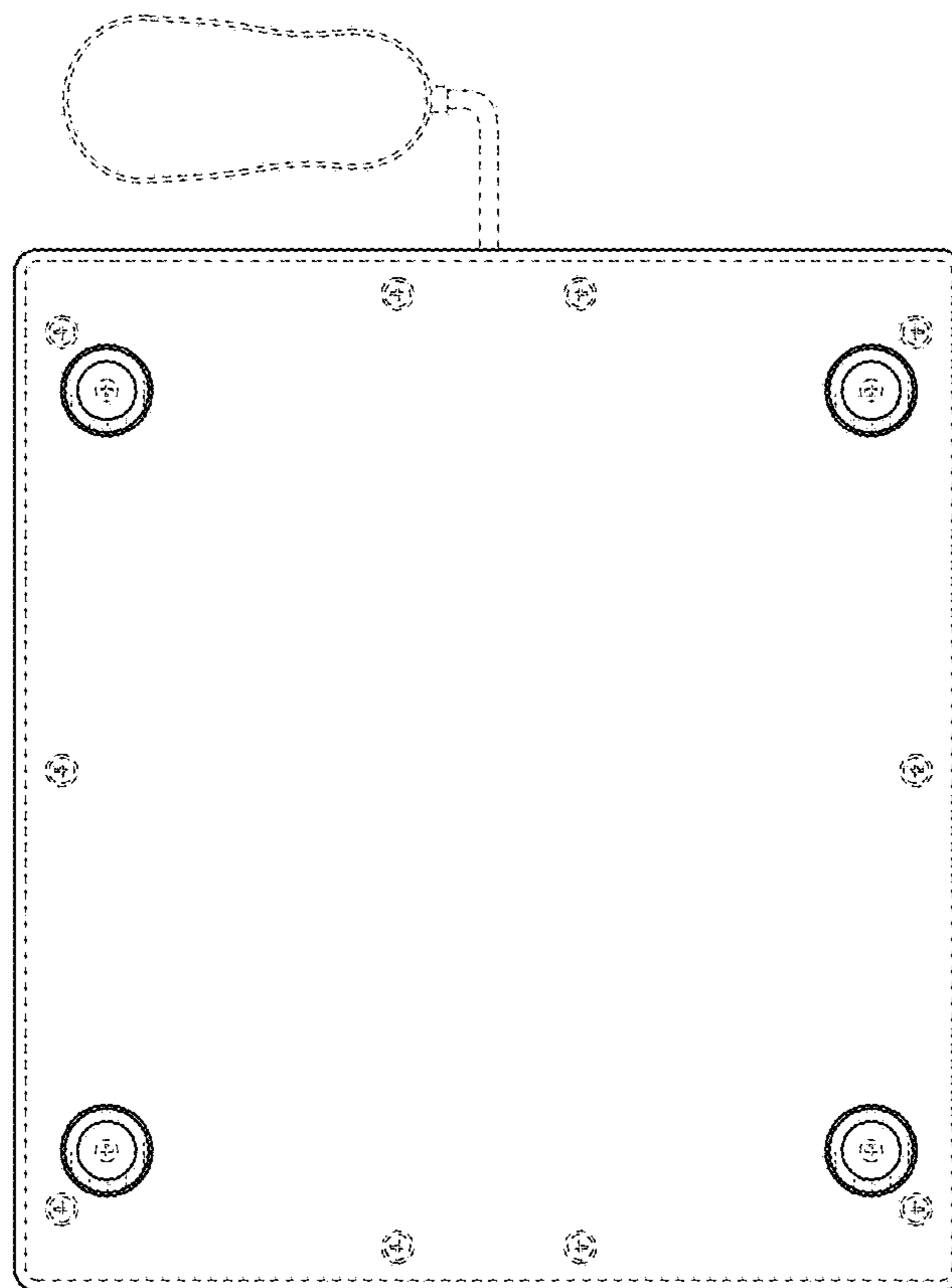


FIG. 7

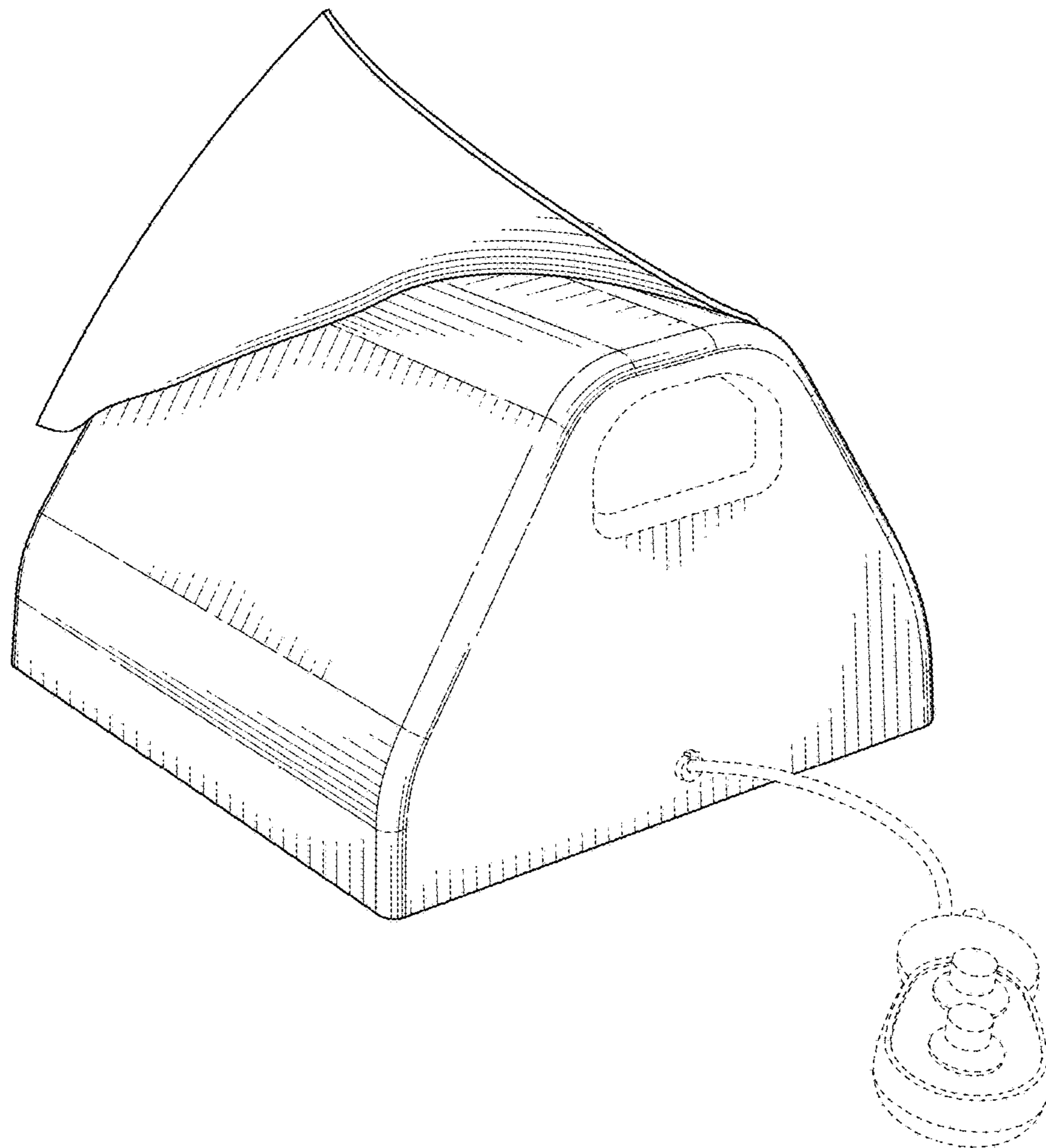


FIG. 8