



US00D843003S

(12) **United States Design Patent**
Huang et al.

(10) **Patent No.:** **US D843,003 S**
(45) **Date of Patent:** **** Mar. 12, 2019**

(54) **MESSAGE APPLICATOR**

(71) Applicant: **L'Oreal USA Creative, Inc.**, New York, NY (US)

(72) Inventors: **Kuoyong Huang**, Seattle, WA (US);
Suk P. Wong, Sammamish, WA (US);
Richard A. Reishus, Renton, WA (US);
Gerald K. Brewer, Redmond, WA (US);
Aaron D. Poole, Federal Way, WA (US);
Ricky Chan, Bellevue, WA (US)

(73) Assignee: **L'Oreal USA Creative, Inc.**, New York, NY (US)

(**) Term: **15 Years**

(21) Appl. No.: **29/568,652**

(22) Filed: **Jun. 20, 2016**

(51) **LOC (11) Cl.** **28-03**

(52) **U.S. Cl.**
USPC **D24/215**

(58) **Field of Classification Search**
USPC D24/200, 211, 212, 213, 214, 215;
601/19, 22, 40, 46, 52, 63, 99, 110, 111,
(Continued)

(56) **References Cited**

U.S. PATENT DOCUMENTS

D585,559 S * 1/2009 Wu D24/214
D587,379 S * 2/2009 Wu D24/215
(Continued)

Primary Examiner — Sandra S Snapp

(74) *Attorney, Agent, or Firm* — Edell, Shapiro & Finnann, LLC

(57) **CLAIM**

The ornamental design for a message applicator, as shown and described.

DESCRIPTION

FIG. 1 is a front, left perspective view from above of a message applicator, with its protective cap on, showing the new design;

FIG. 2 is a front, left perspective view from below of the message applicator of FIG. 1;

FIG. 3 is a front elevation view of the message applicator of FIG. 1;

FIG. 4 is a rear elevation view of the message applicator of FIG. 1;

FIG. 5 is a left side elevation view of the message applicator of FIG. 1;

FIG. 6 is a right side elevation view of the message applicator of FIG. 1;

FIG. 7 is a top plan view of the message applicator of FIG. 1;

FIG. 8 is a bottom plan view of the message applicator of FIG. 1;

FIG. 9 is an exploded front, left perspective view from above of the message applicator of FIG. 1;

FIG. 10 is an exploded front, left perspective view from below of the message applicator of FIG. 1;

FIG. 11 is an exploded front elevation view of the message applicator of FIG. 1;

FIG. 12 is an exploded rear elevation view of the message applicator of FIG. 1;

FIG. 13 is an exploded left side elevation view of the message applicator of FIG. 1;

FIG. 14 is an exploded right side elevation view of the message applicator of FIG. 1;

FIG. 15 is a top plan view of the message applicator of FIG. 1;

FIG. 16 is a bottom plan view of the message applicator of FIG. 1;

FIG. 17 is a top plan view of the message applicator of FIG. 1, taken with the protective cap removed for ease of illustration;

FIG. 18 is a bottom plan view of the message applicator of FIG. 1, taken with the message applicator removed for ease of illustration;

FIG. 19 is a front, left perspective view from above of the message applicator of FIG. 1, with its protective cap removed;

FIG. 20 is a front, left perspective view from below of the message applicator of FIG. 1, with its protective cap removed;

FIG. 21 is a front elevation view of the message applicator of FIG. 1, with its protective cap removed;

FIG. 22 is a rear elevation view of the message applicator of FIG. 1, with its protective cap removed;

(Continued)

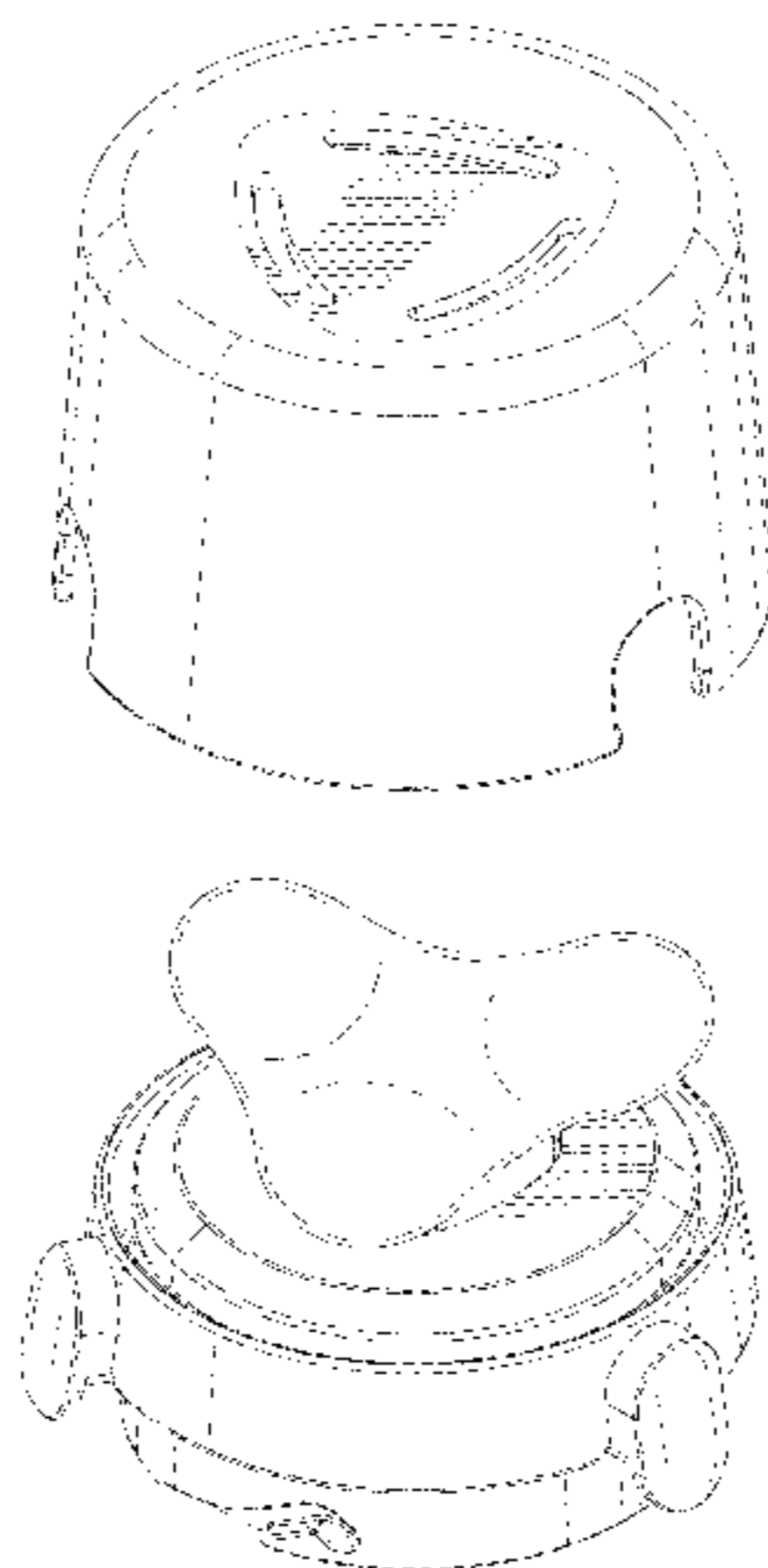


FIG. 23 is a left side elevation view of the massage applicator of FIG. 1, with its protective cap removed;
FIG. 24 is a right side elevation view of the massage applicator of FIG. 1, with its protective cap removed;
FIG. 25 is a top plan view of the massage applicator of FIG. 1, with its protective cap removed; and,
FIG. 26 is a bottom plan view of the massage applicator of FIG. 1, with its protective cap removed.
The portions shown in phantom (broken lines) are for illustrative purposes only and form no part of the claimed design.

1 Claim, 25 Drawing Sheets

(58) **Field of Classification Search**

USPC 601/112, 113, 118, 119, 120, 125,
601/DIG. 12, DIG. 13, DIG. 14, DIG. 15,
601/DIG. 16, DIG. 17
CPC A61H 1/00; A61H 11/00; A61H 15/00;
A61H 2015/0007; A61H 2015/0014;
A61H 2015/0042; A61H 21/00; A61H
37/00

See application file for complete search history.

(56) **References Cited**

U.S. PATENT DOCUMENTS

D587,380 S * 2/2009 Nan D24/215
D698,449 S * 1/2014 Brewer D24/211
D732,184 S * 6/2015 Chou D24/215
D745,180 S * 12/2015 Stanbridge D24/215

* cited by examiner

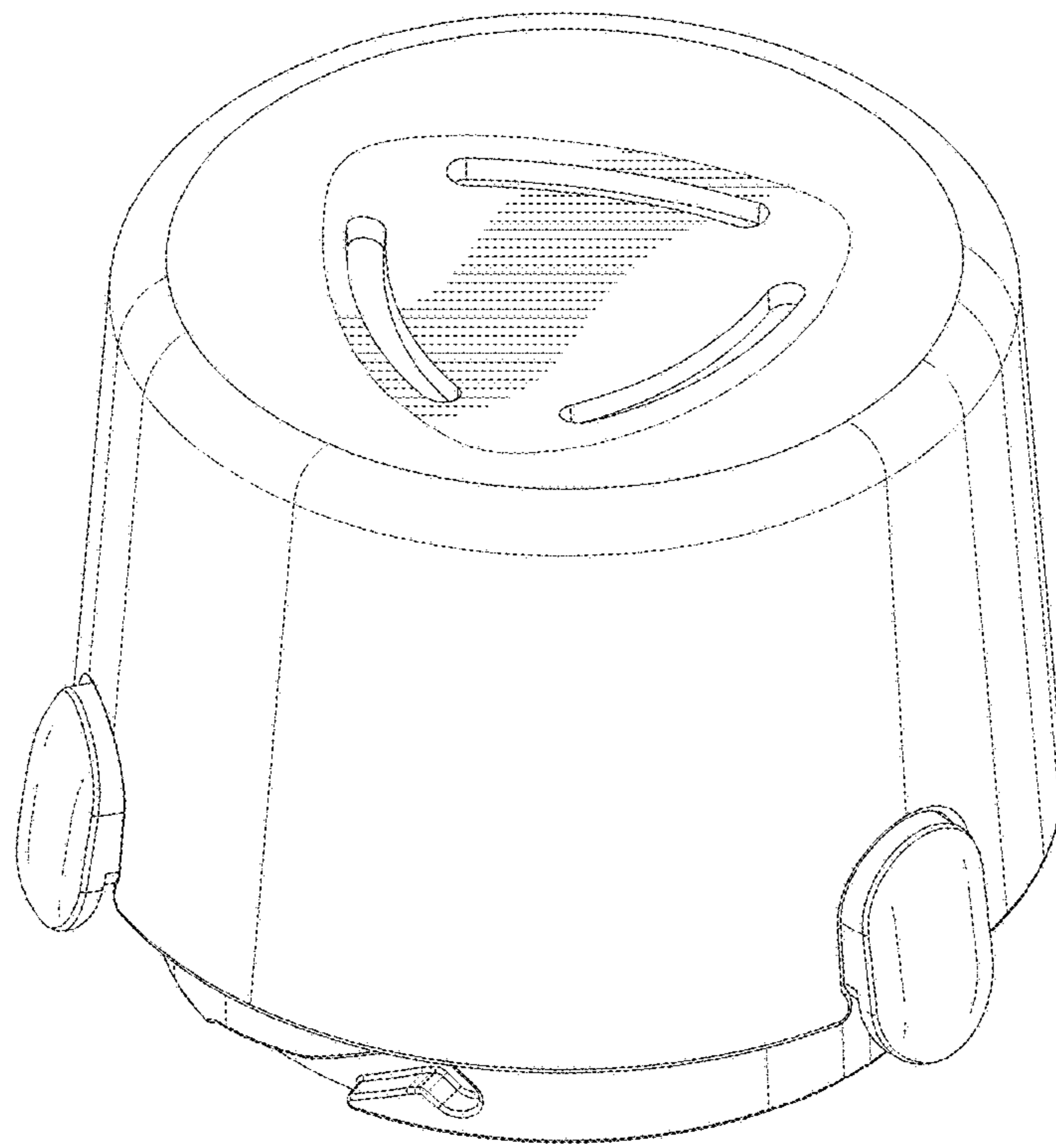


FIG.1

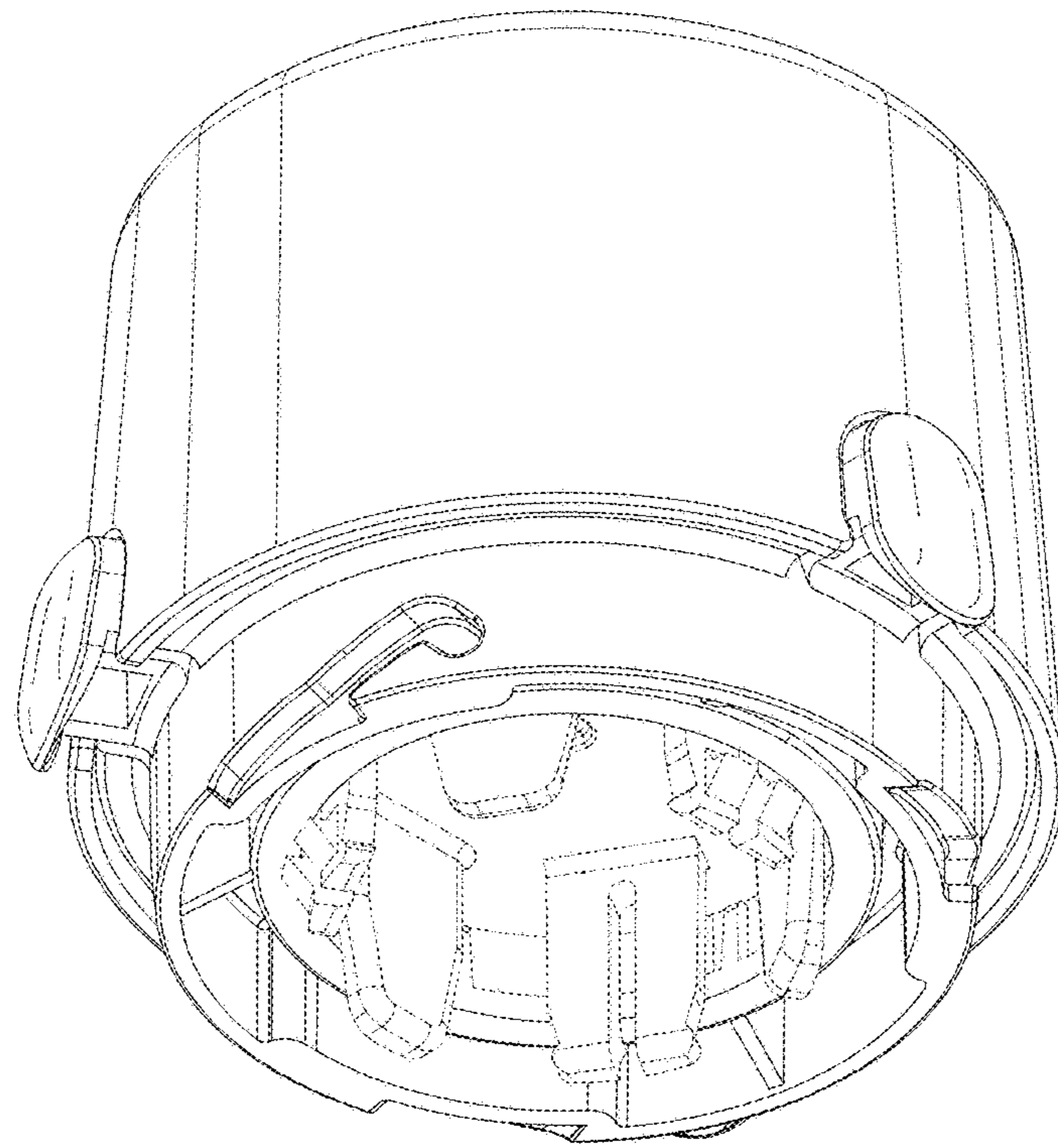


FIG.2

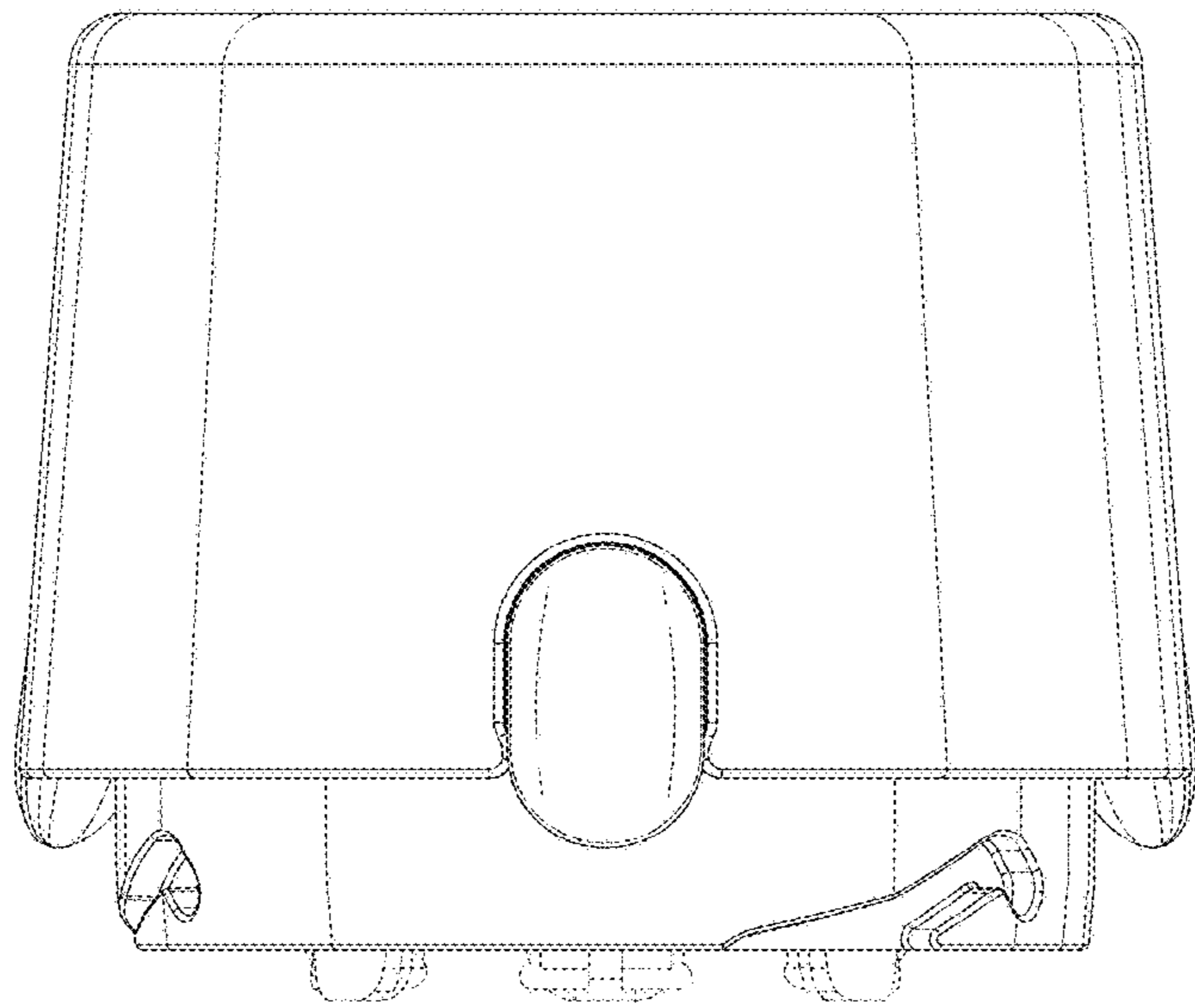


FIG.3

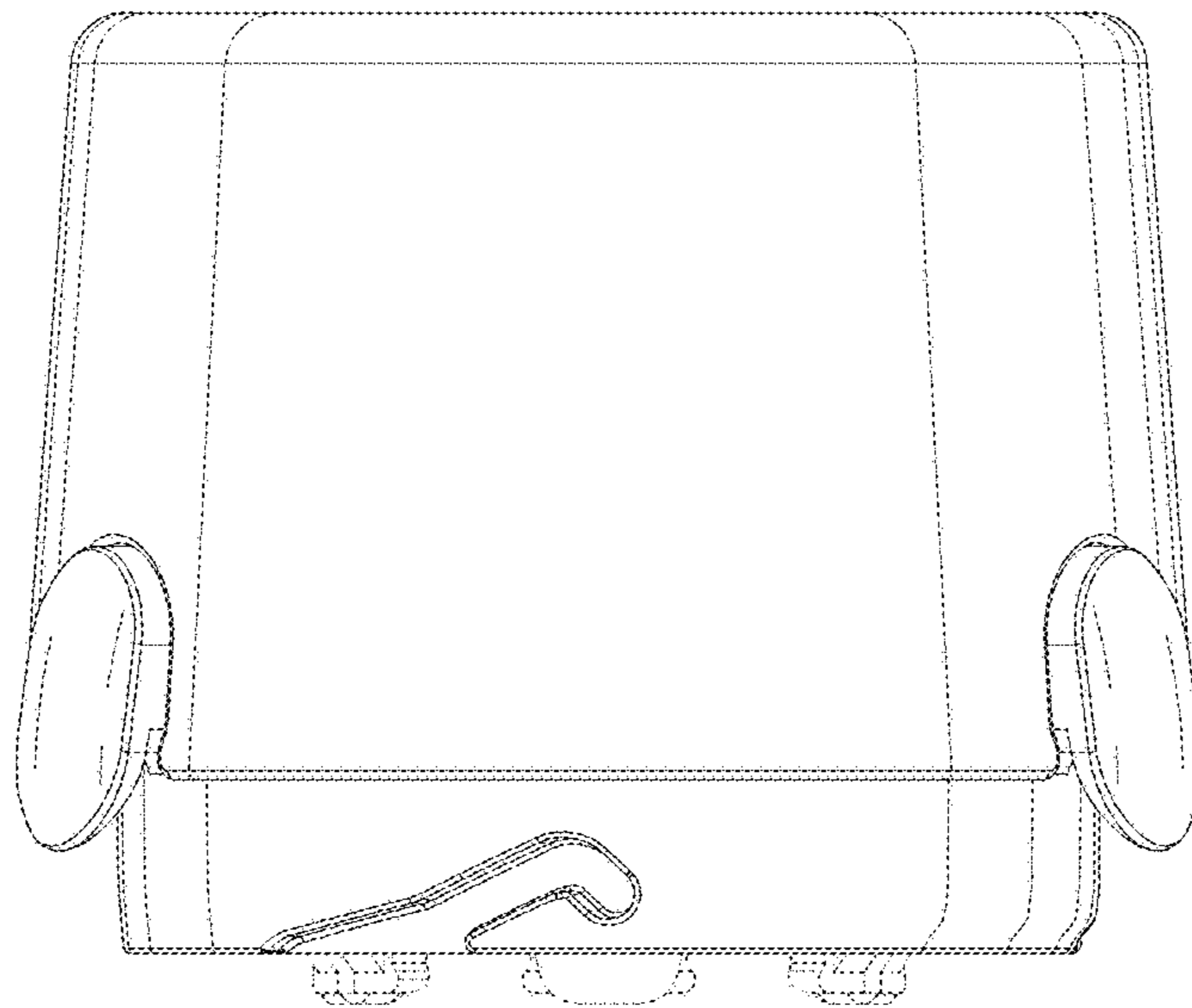


FIG.4

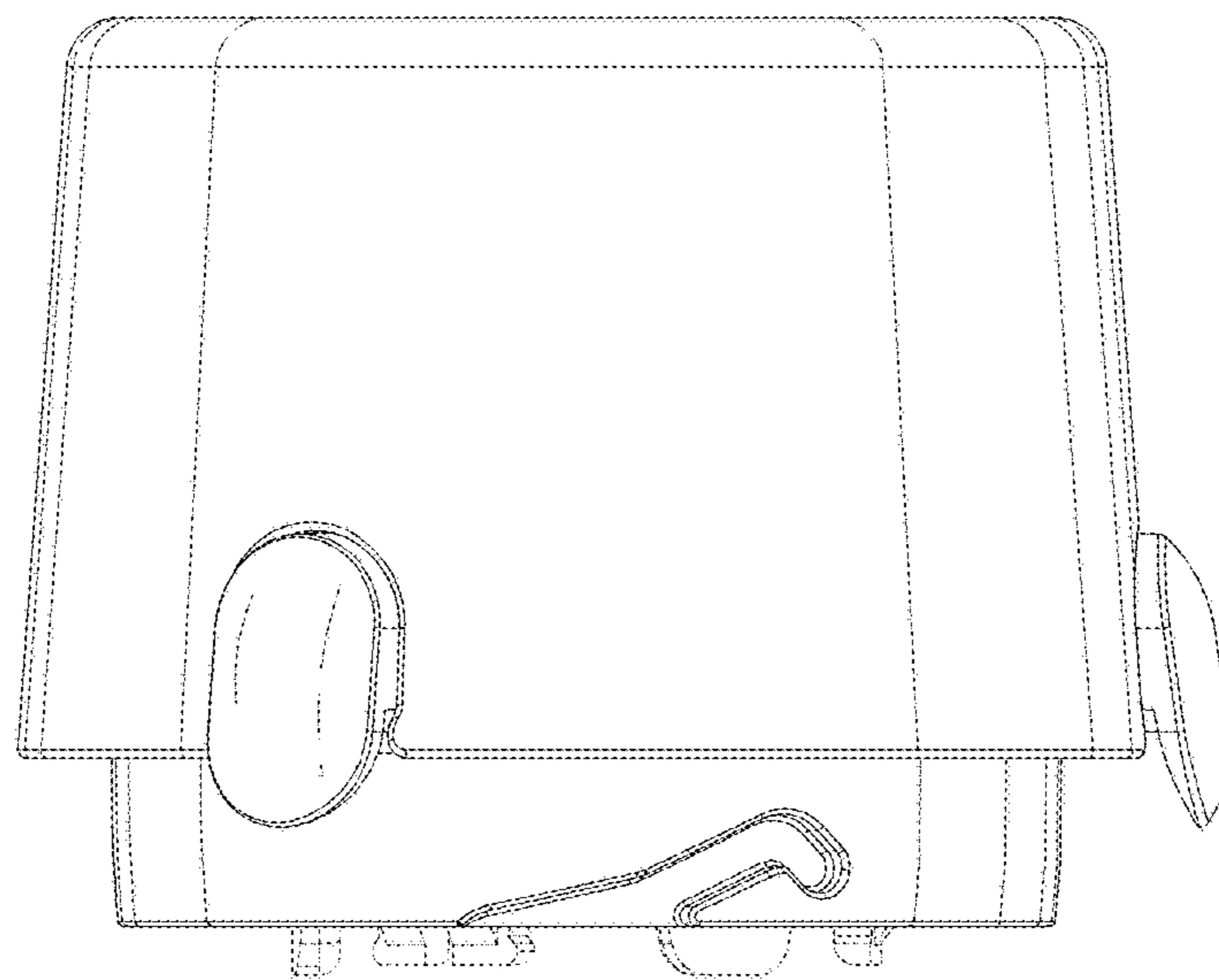


FIG.5

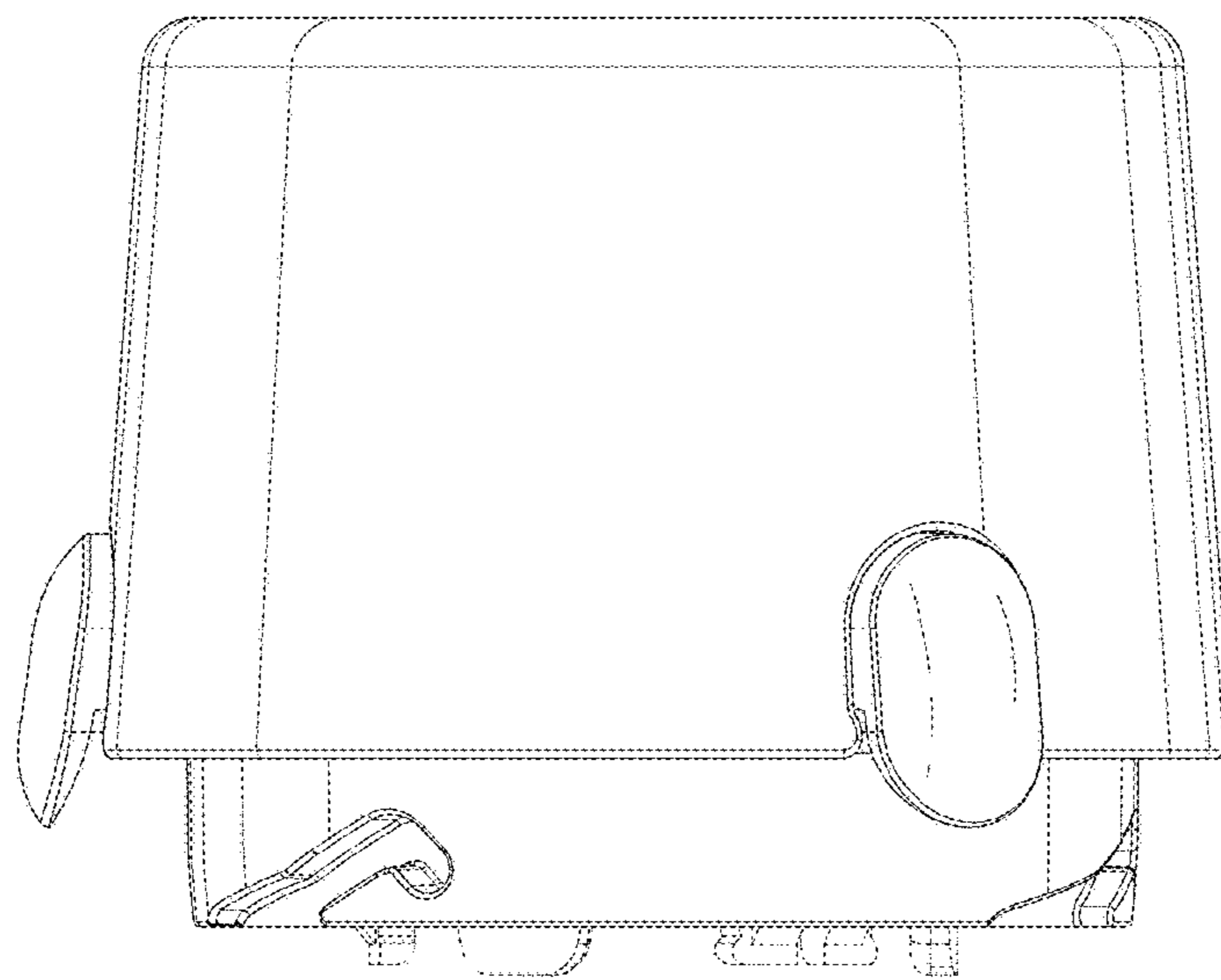


FIG.6

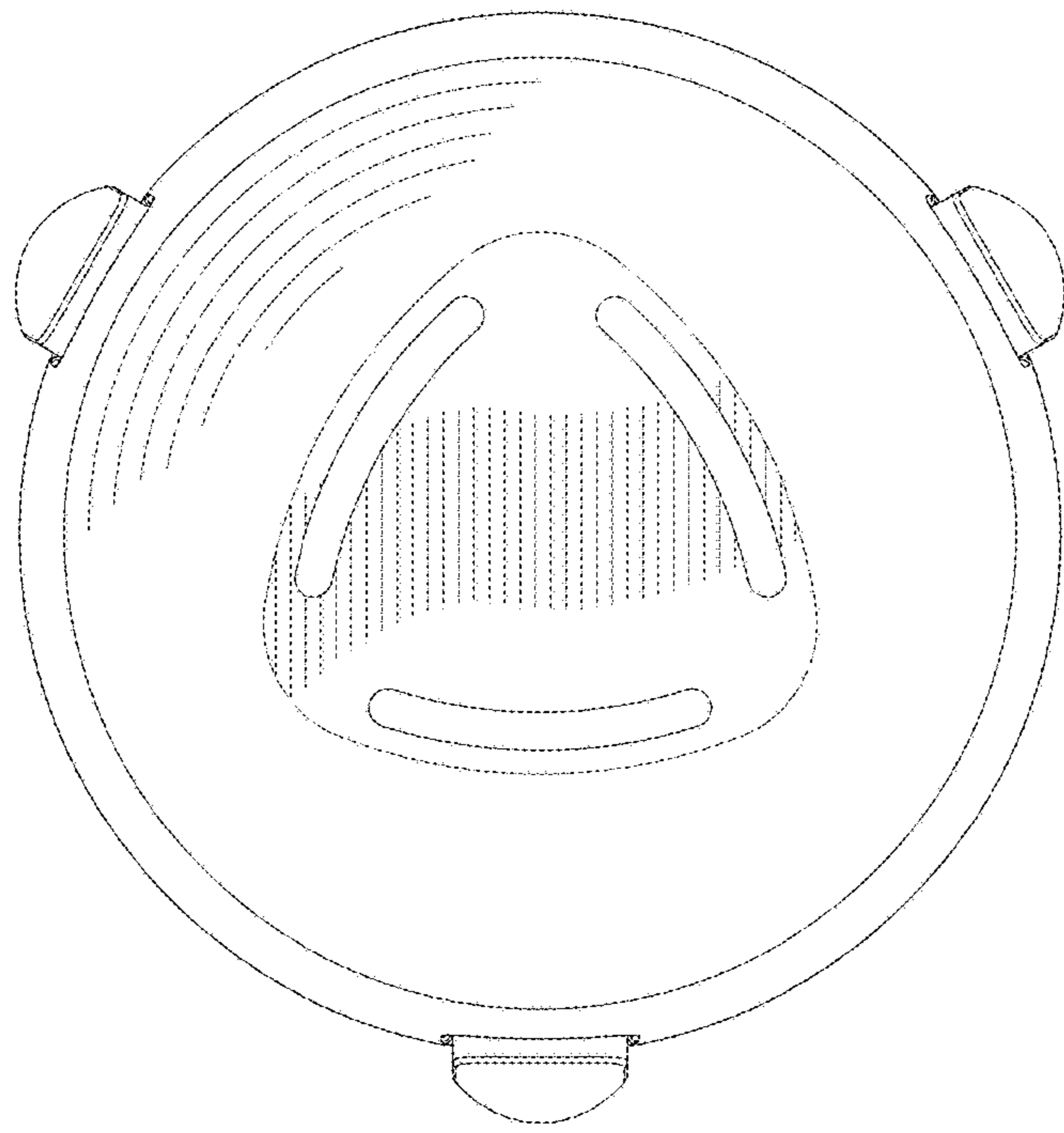


FIG. 7

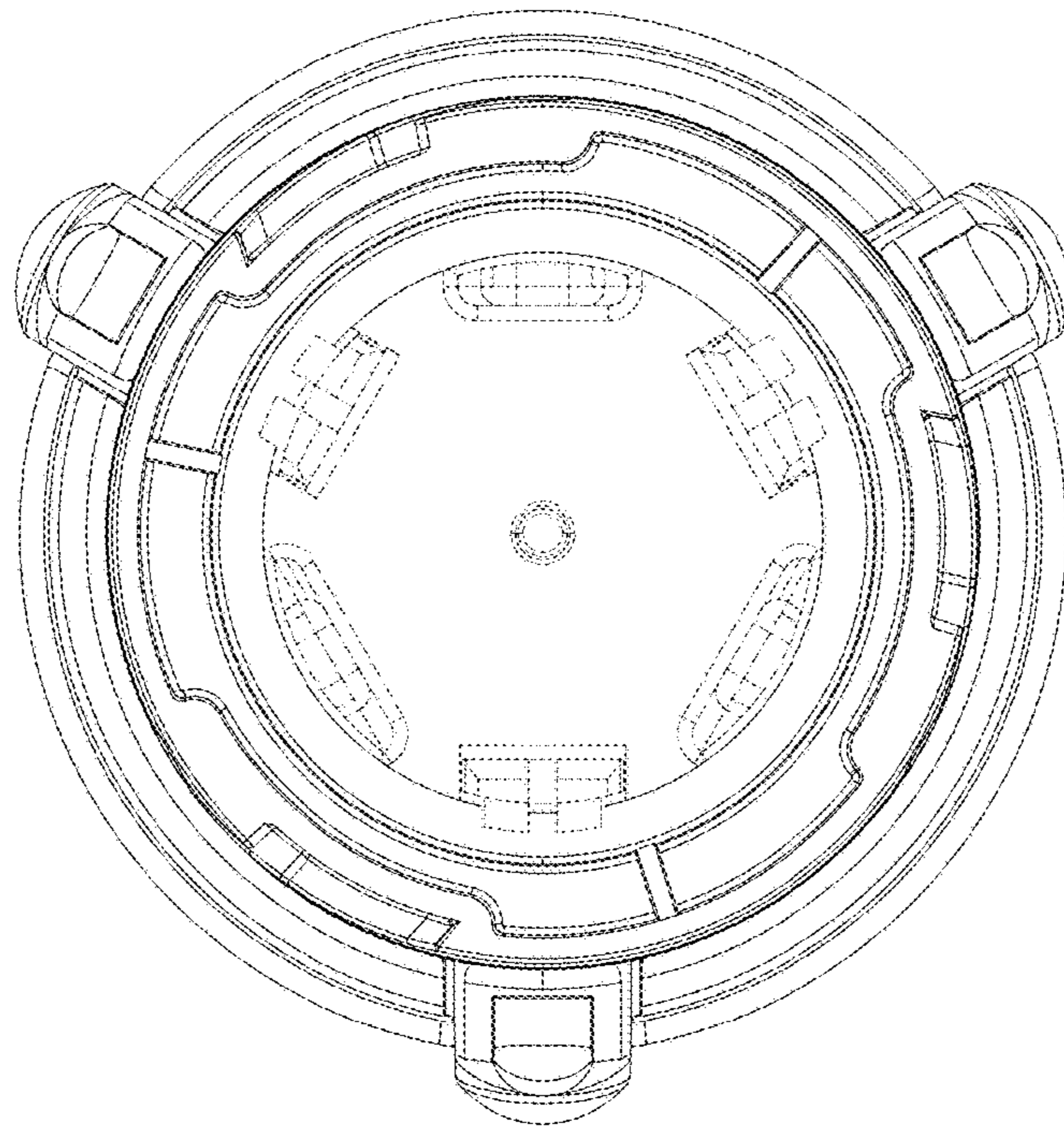


FIG.8

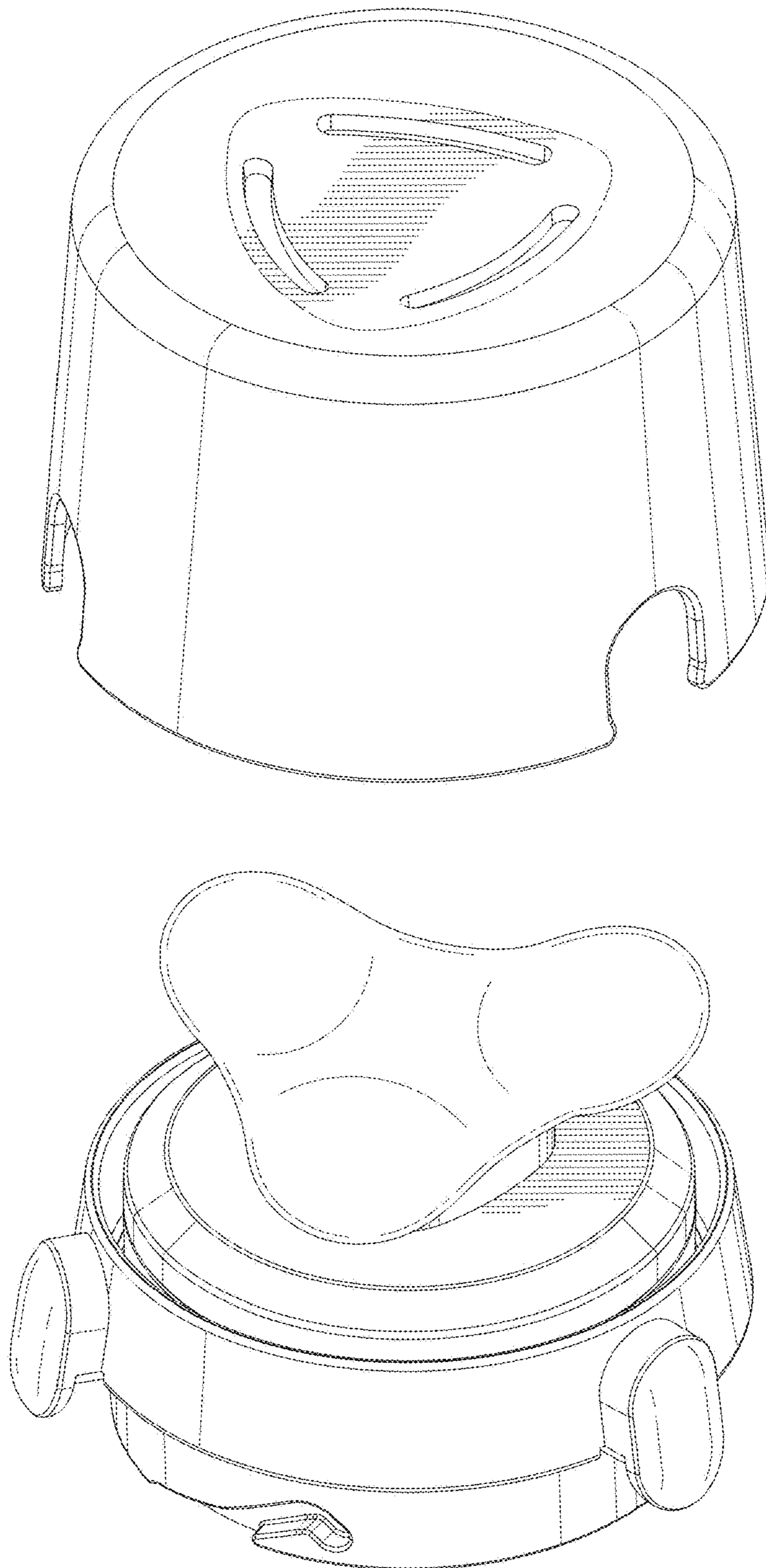


FIG.9

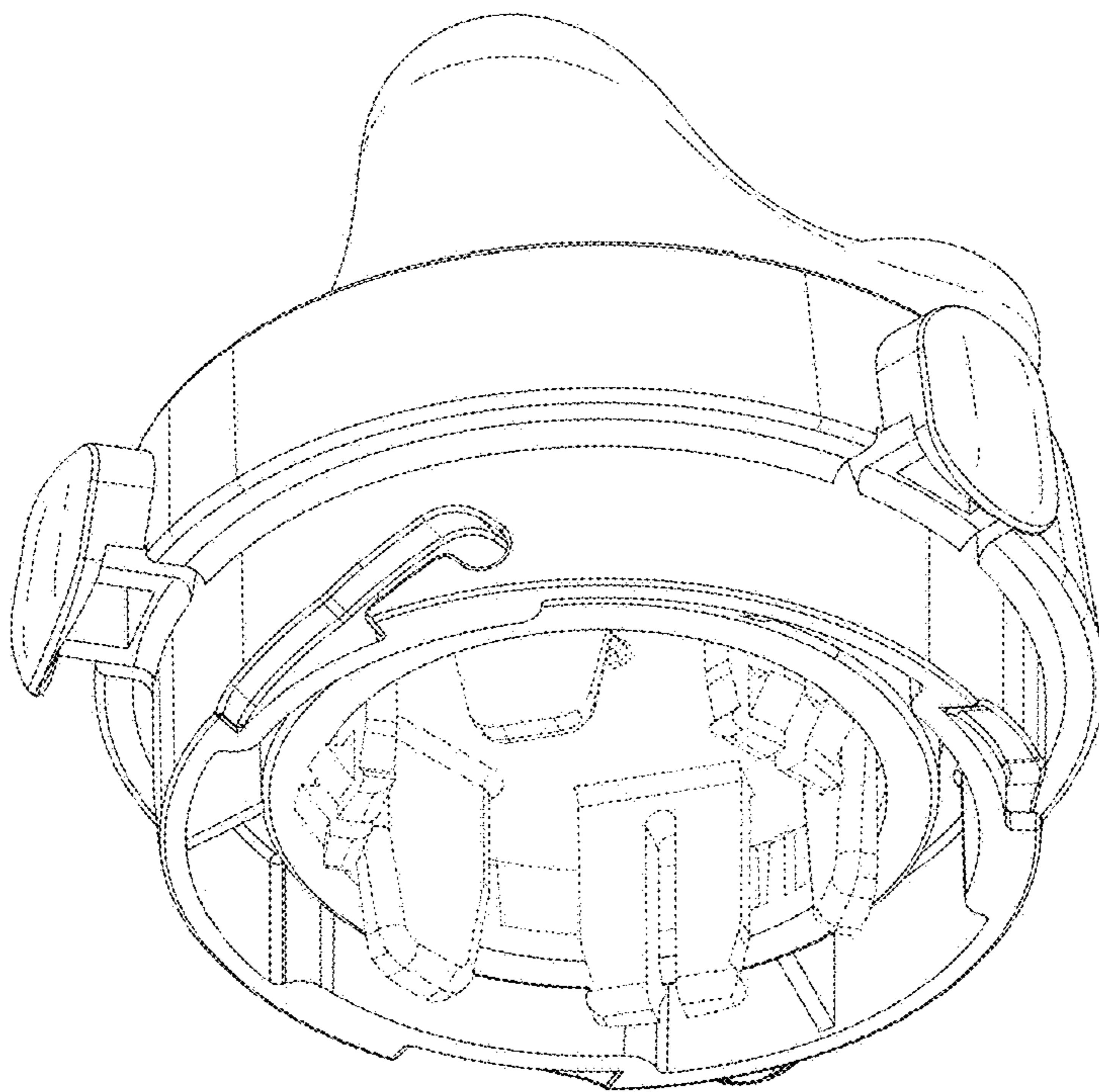
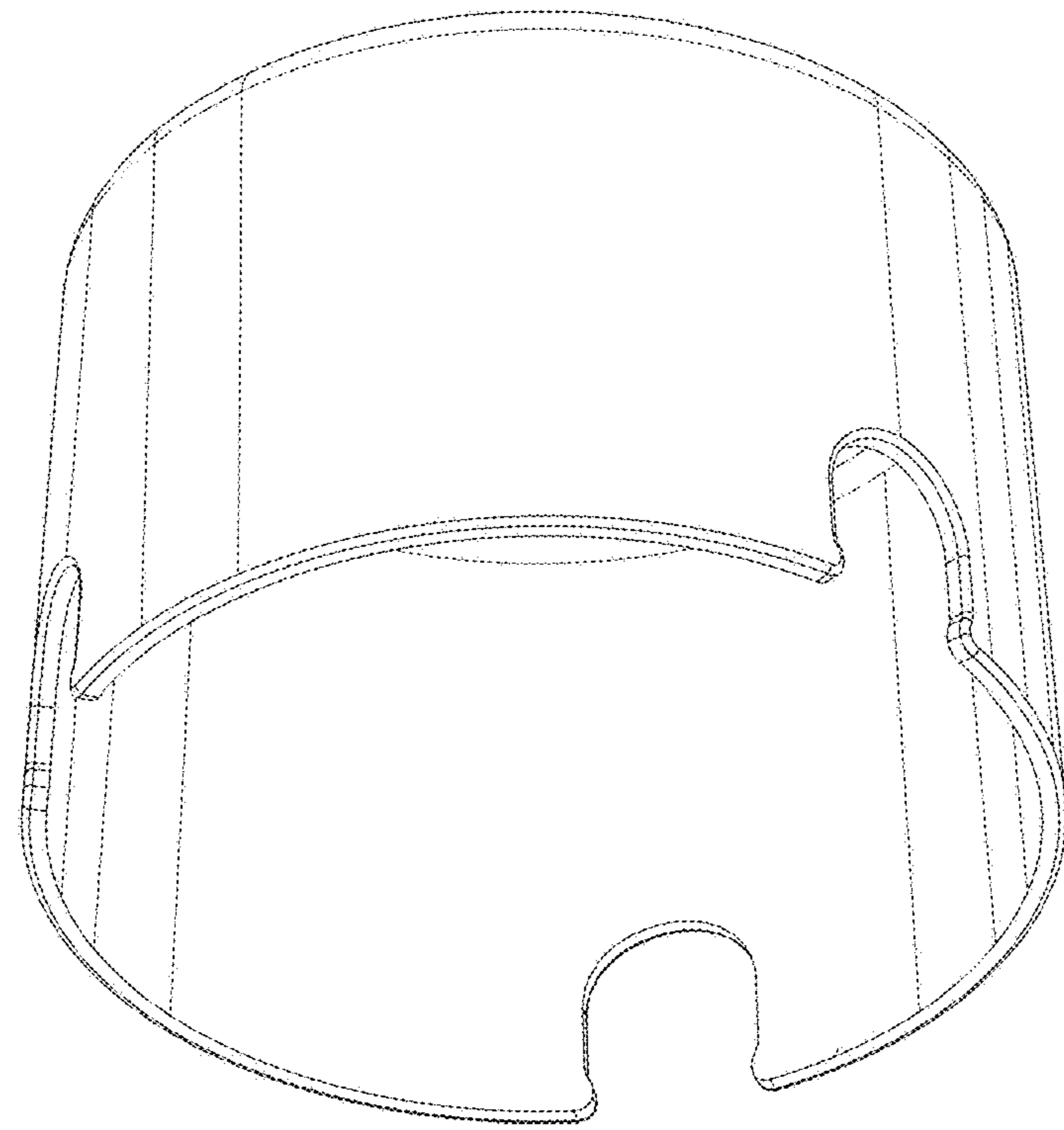


FIG.10

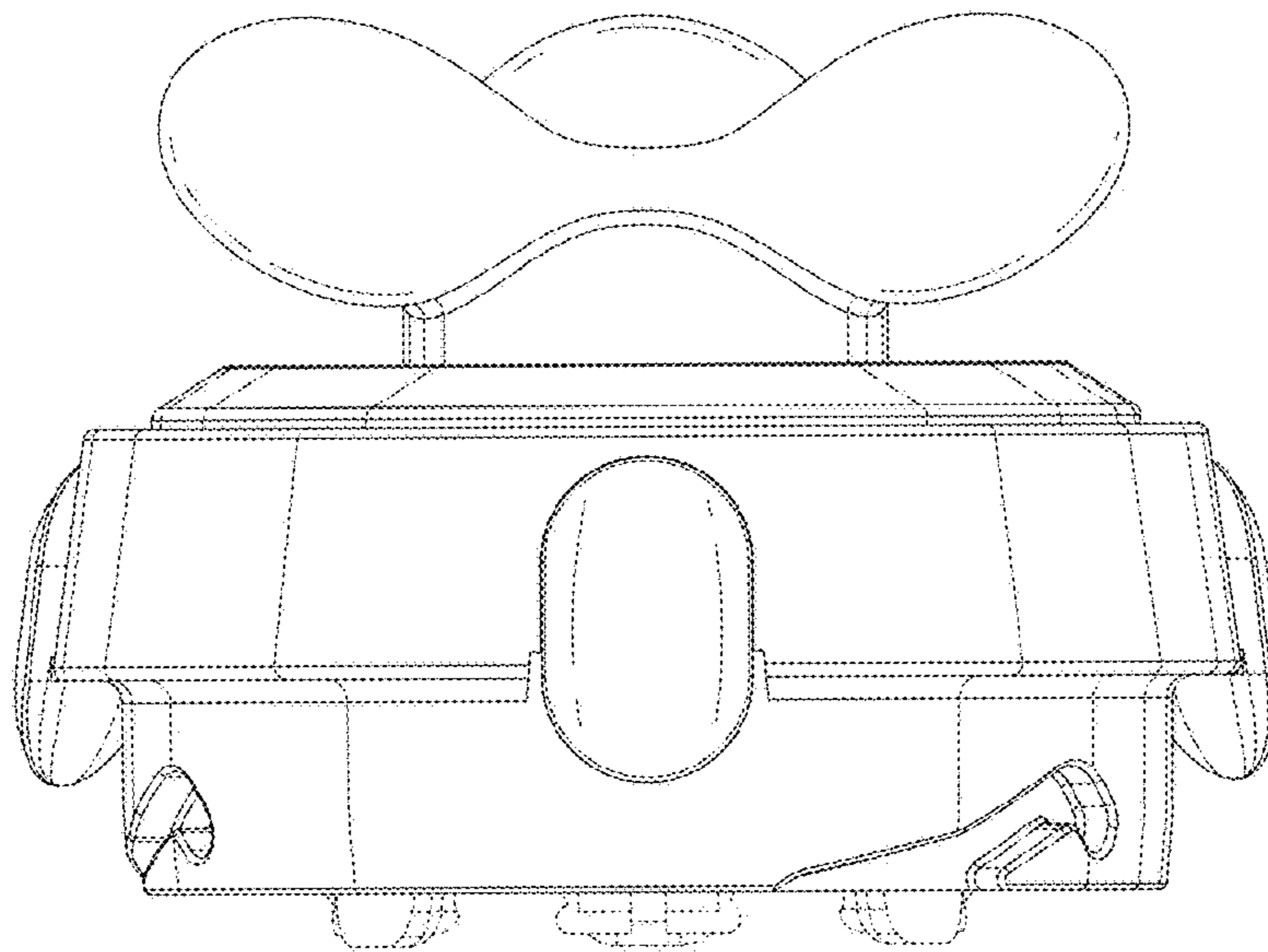
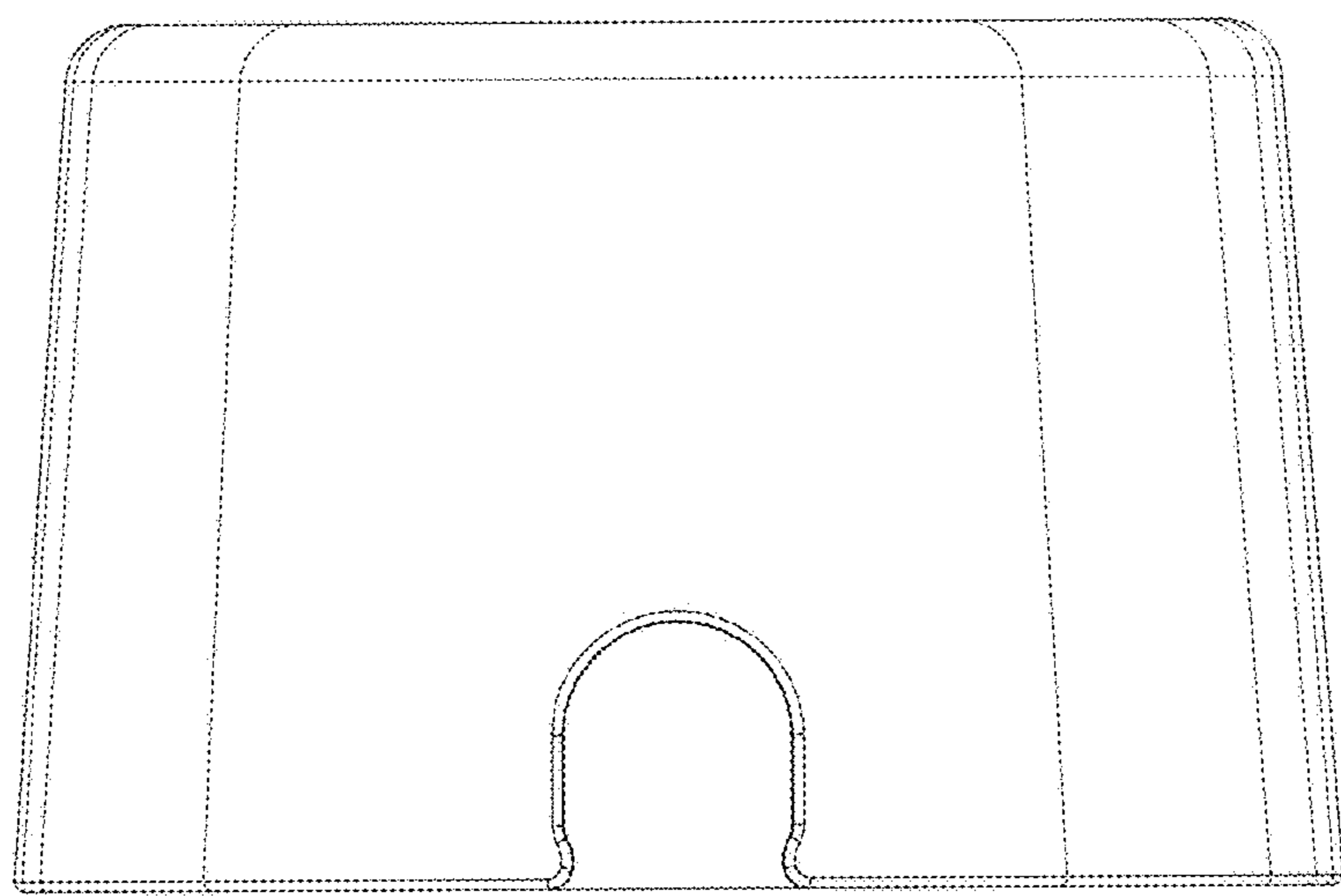


FIG.11

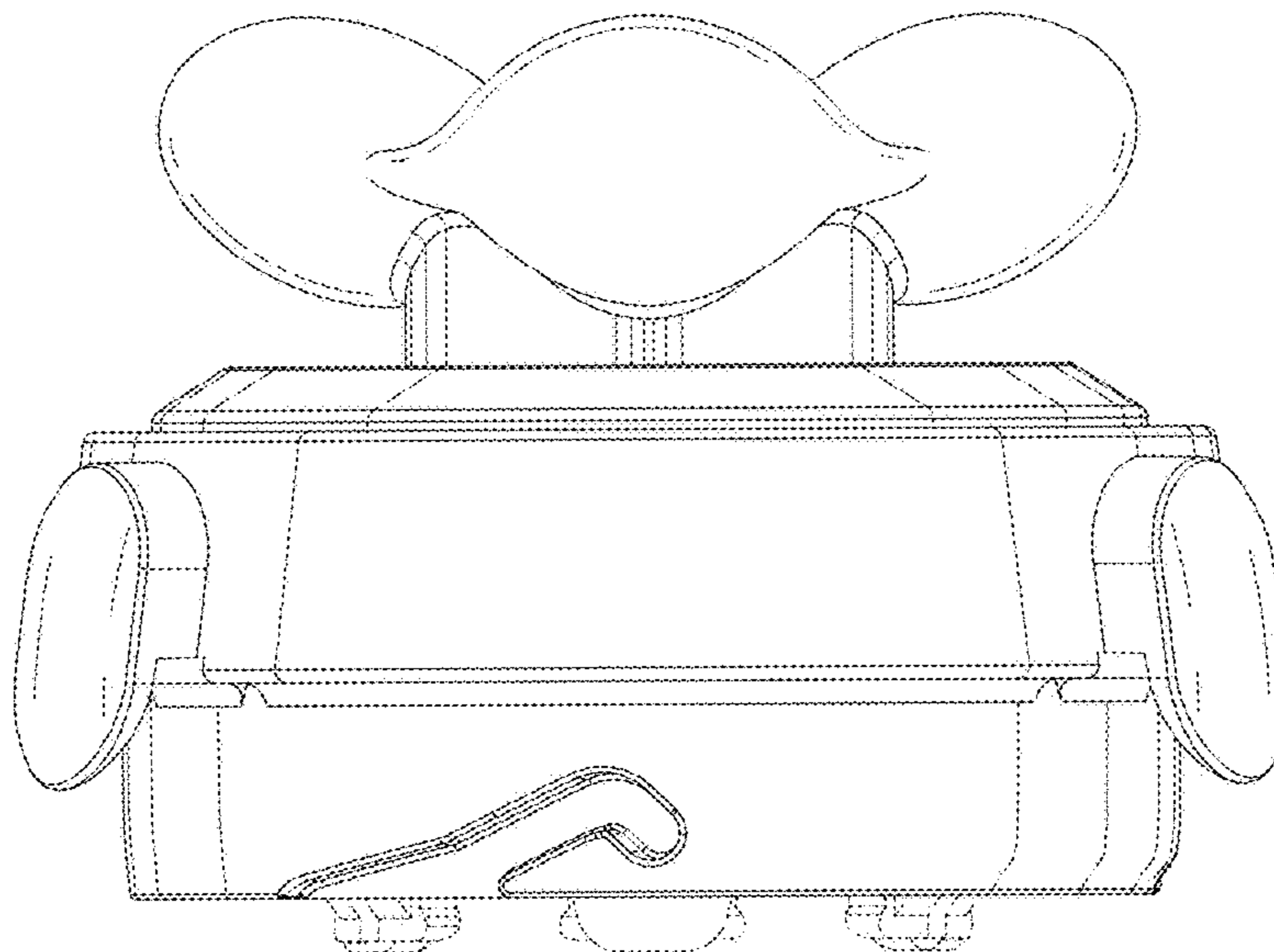
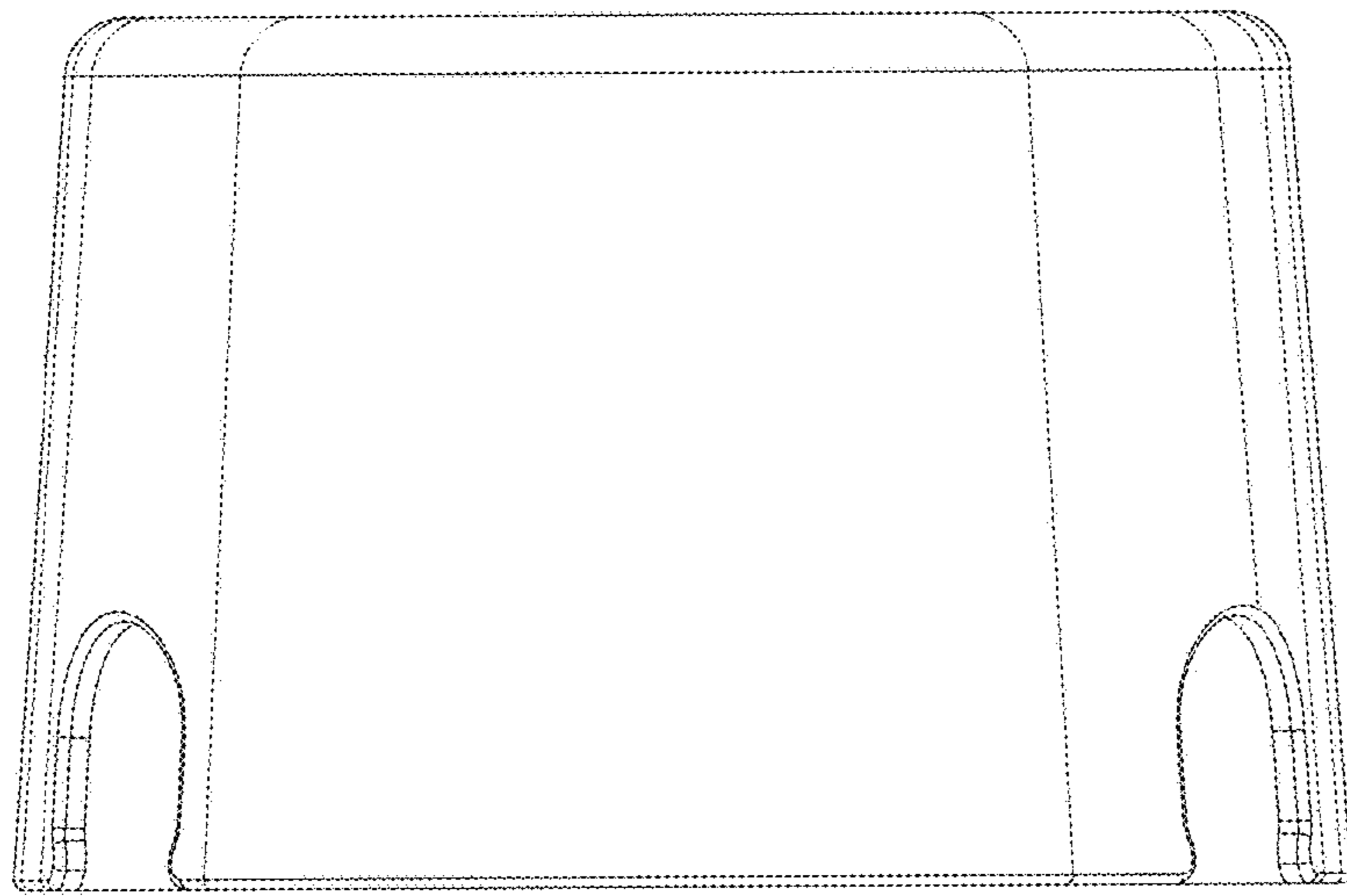


FIG.12

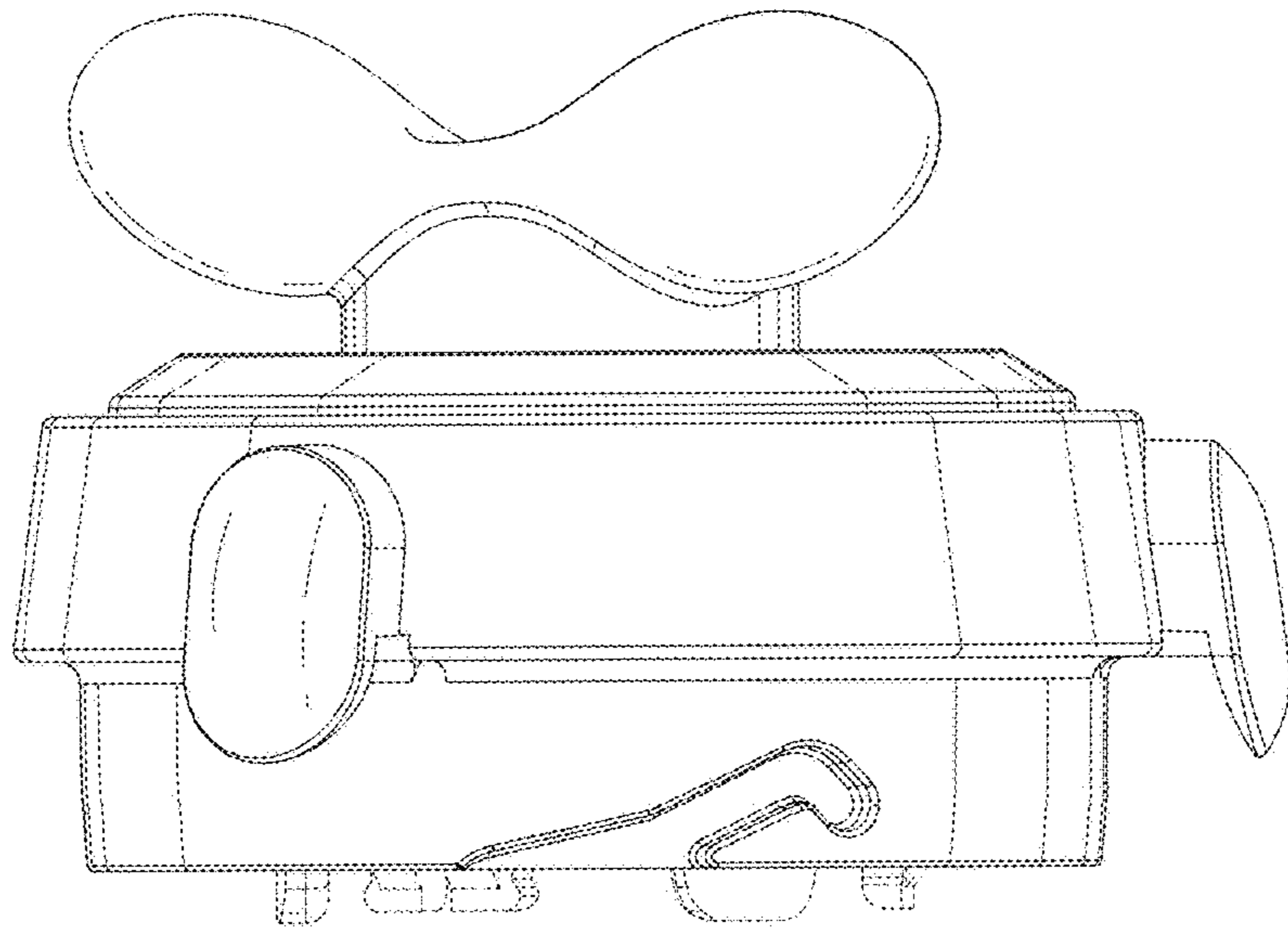
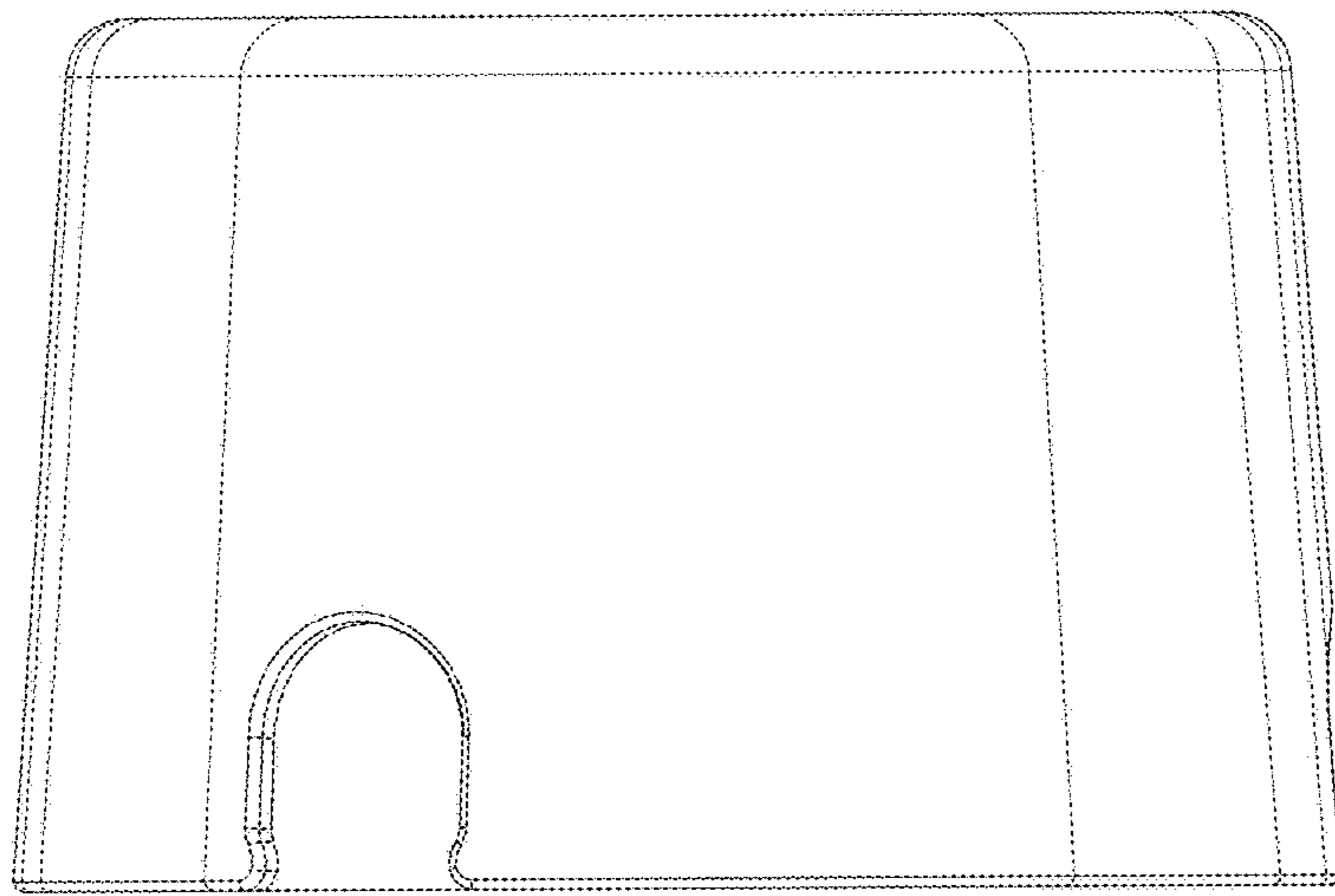
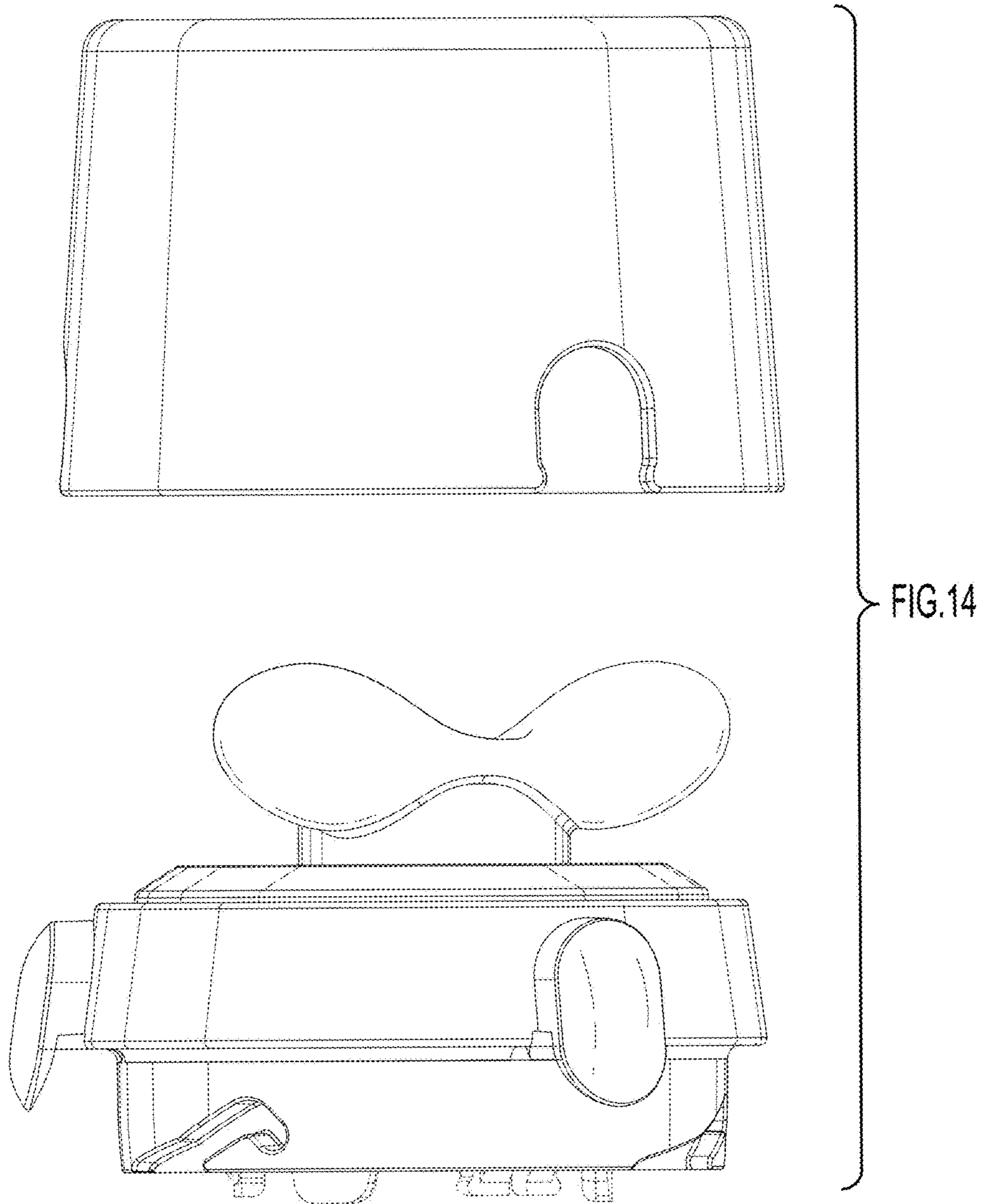


FIG.13



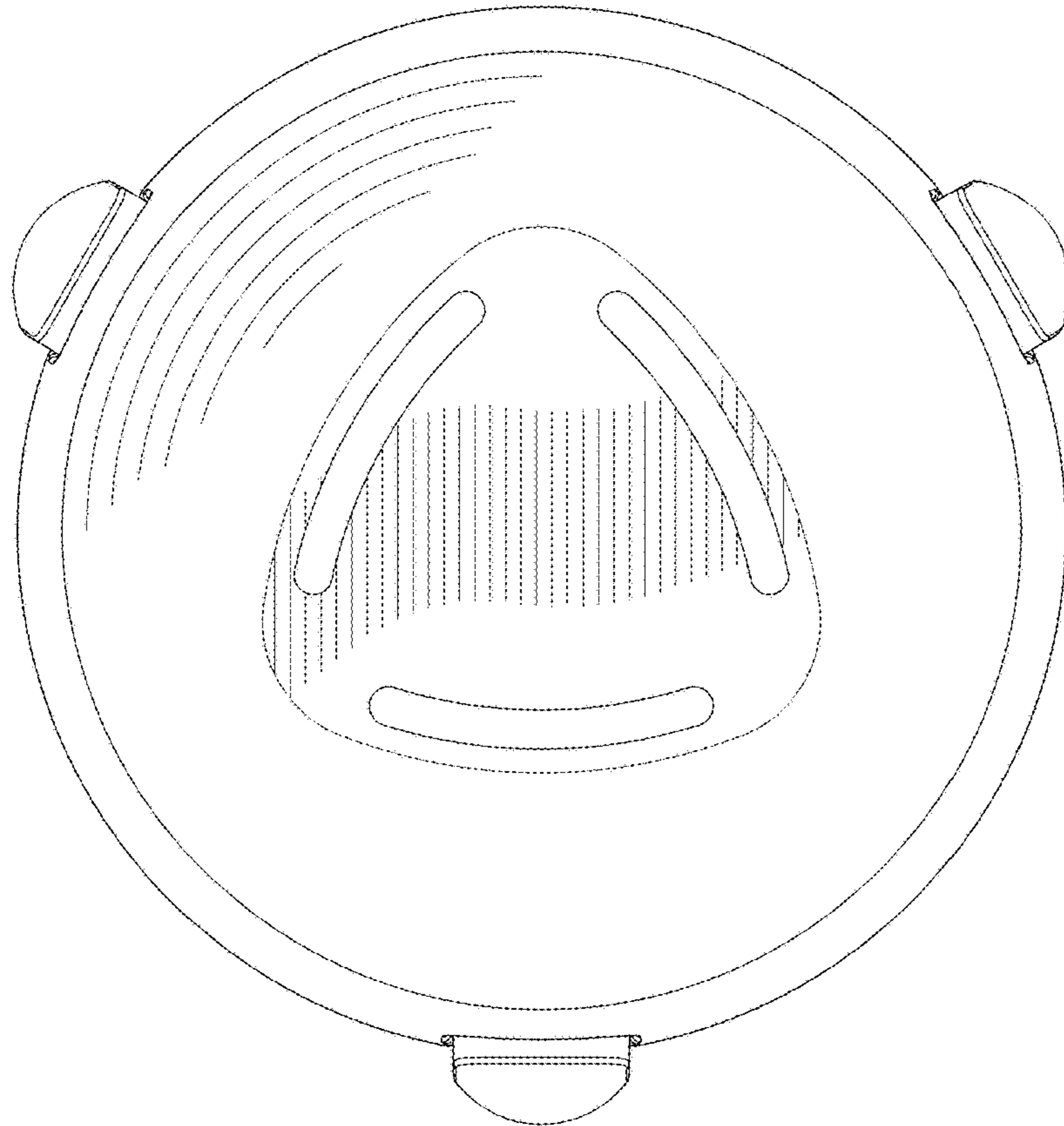


FIG.15

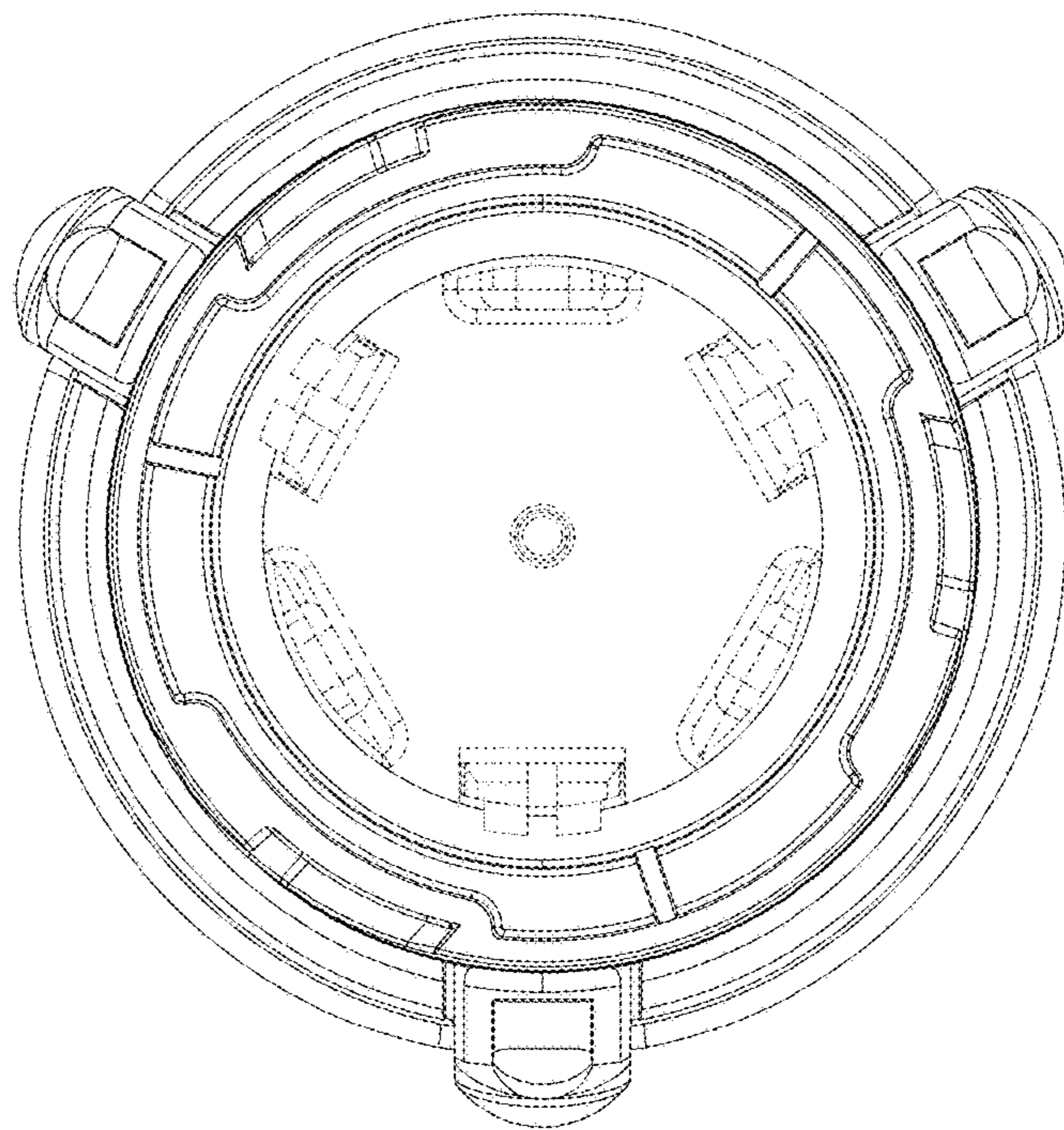


FIG.16

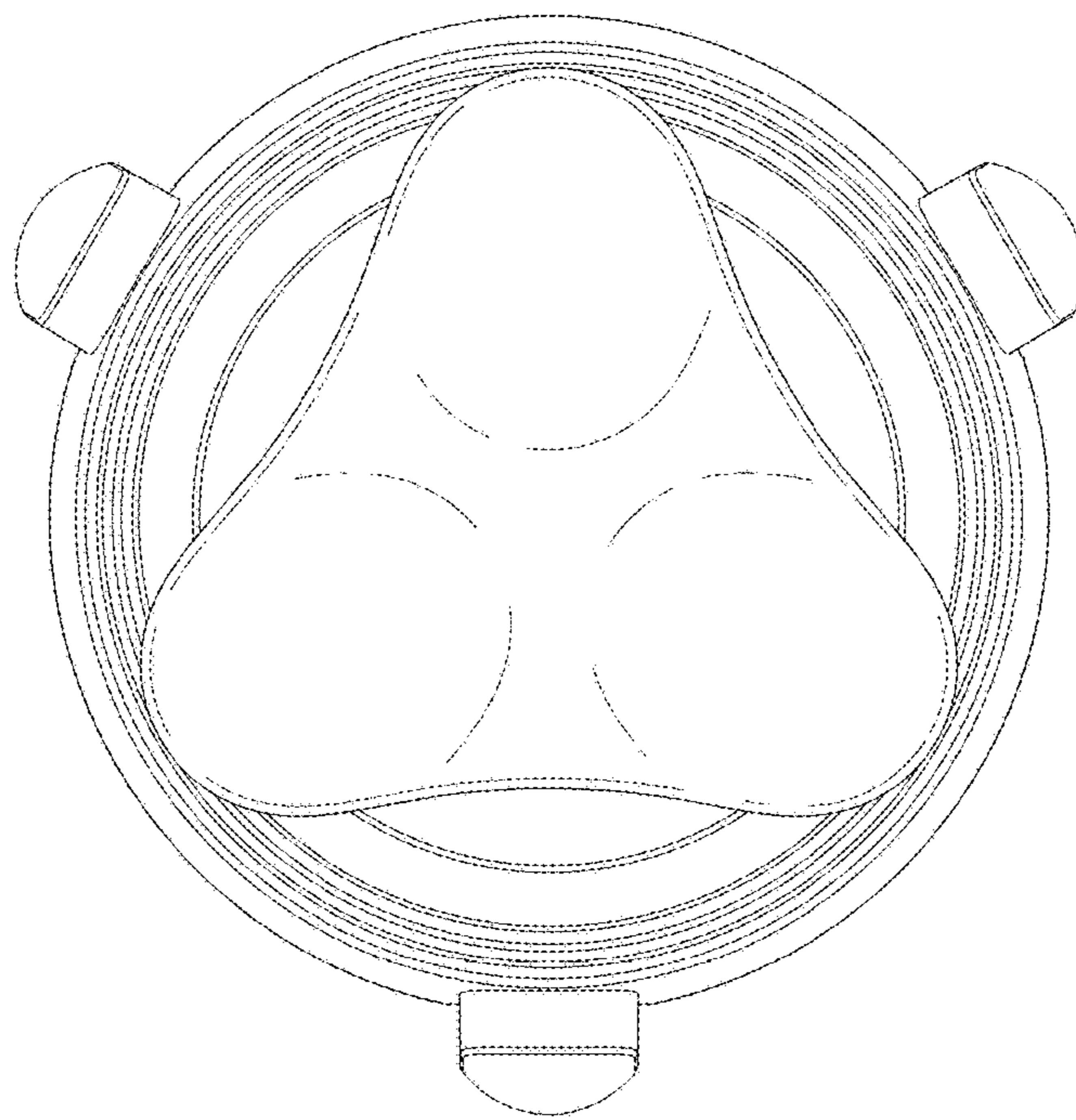


FIG.17

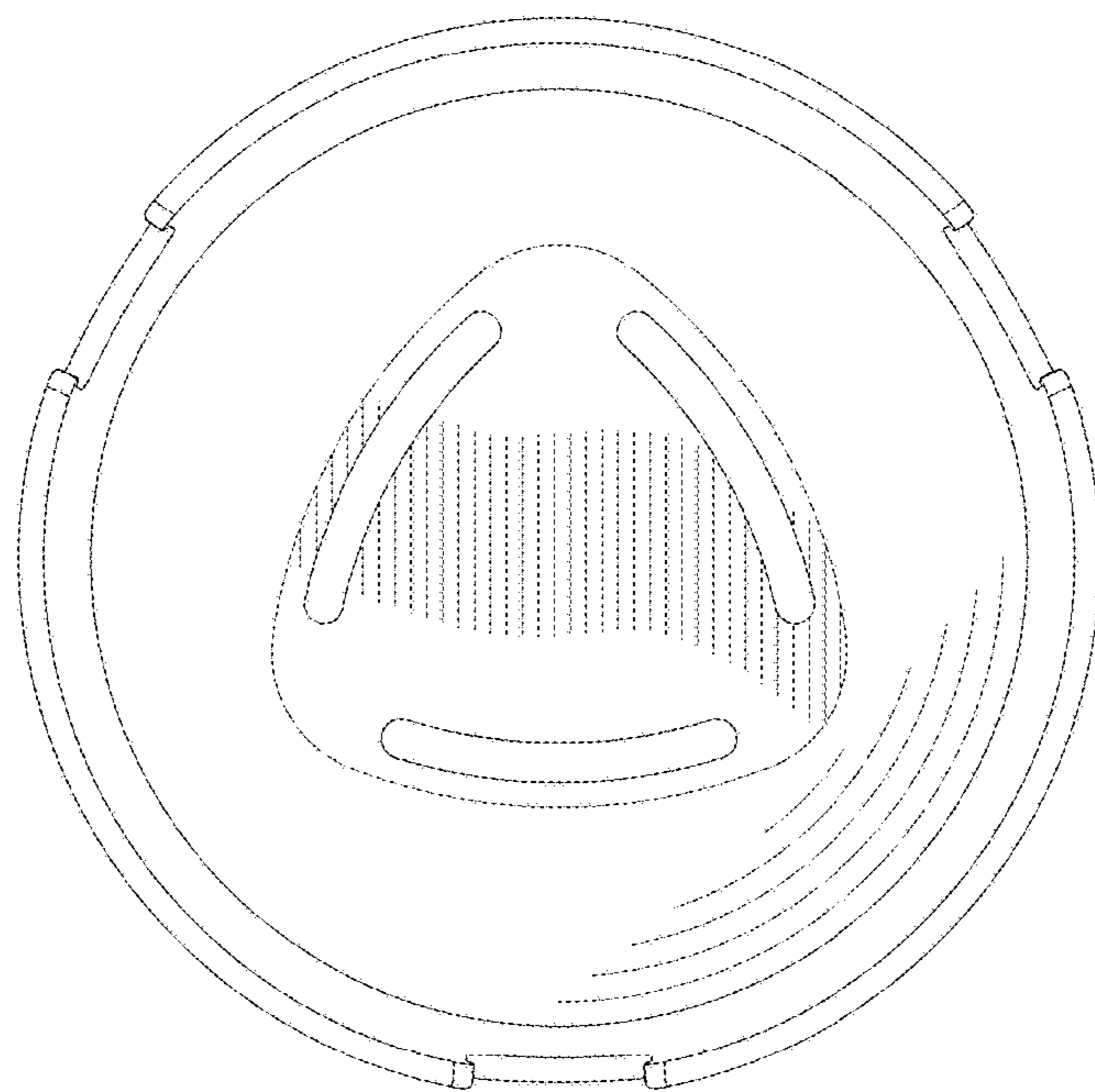


FIG.18

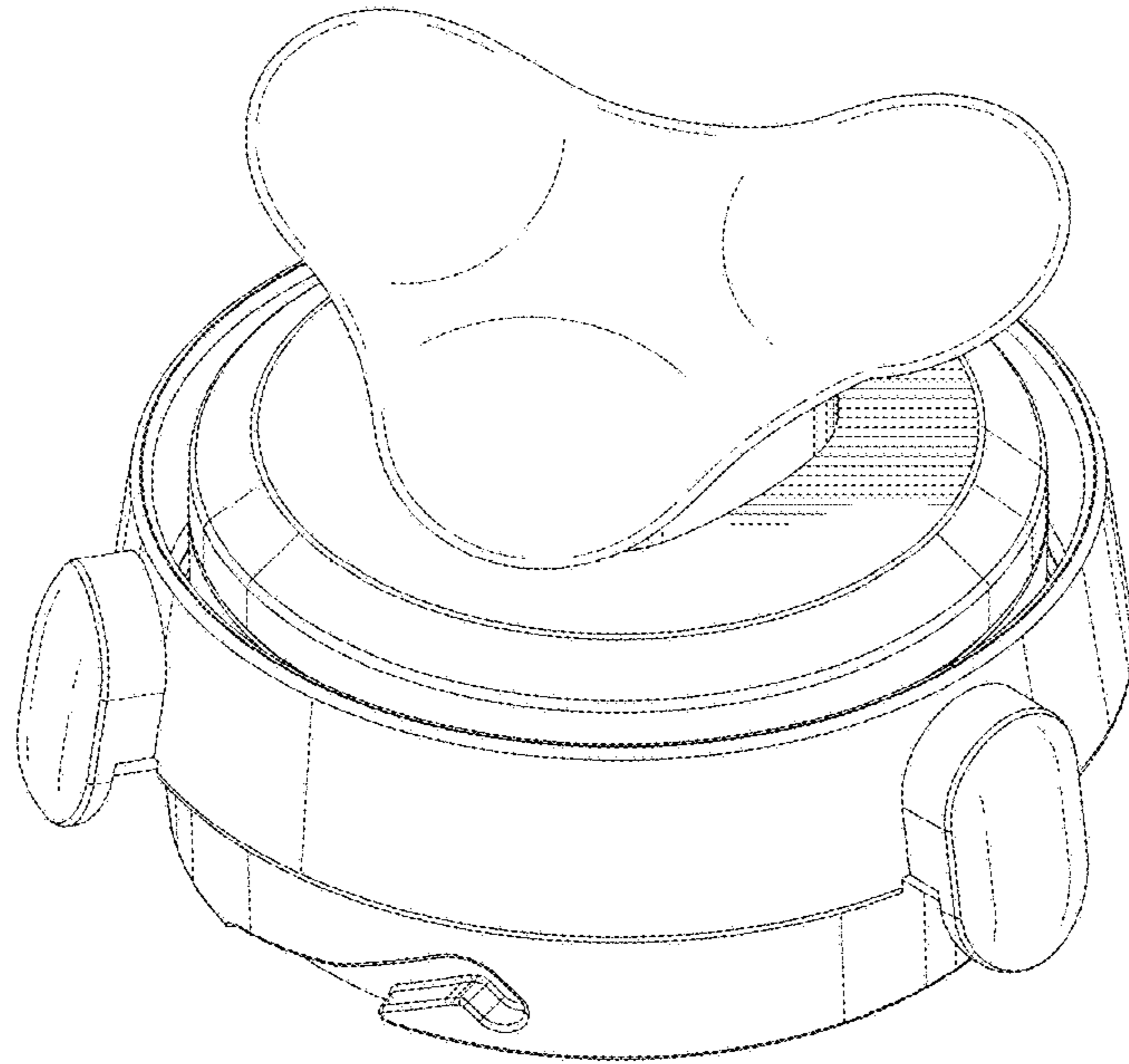


FIG.19

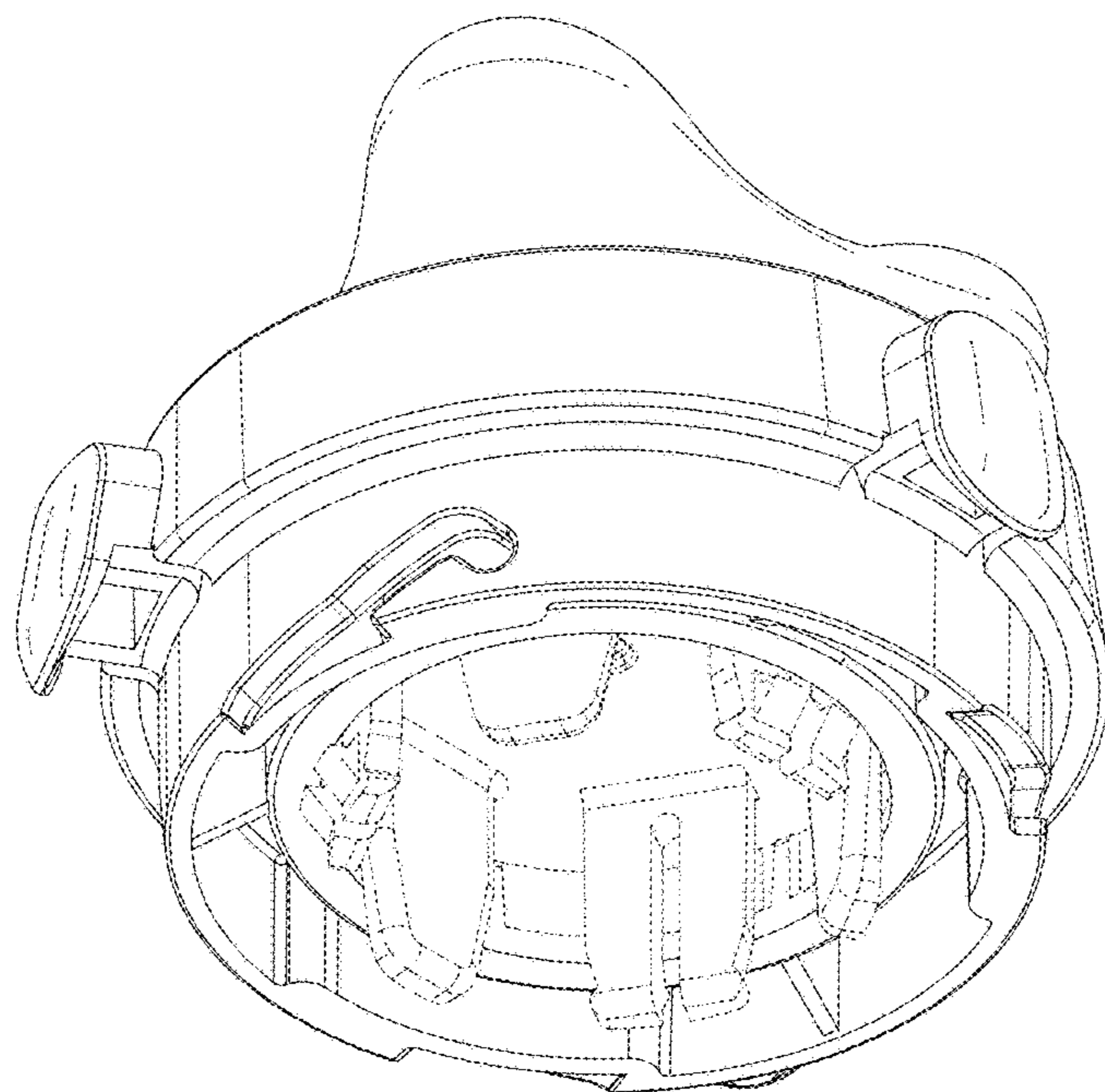


FIG.20

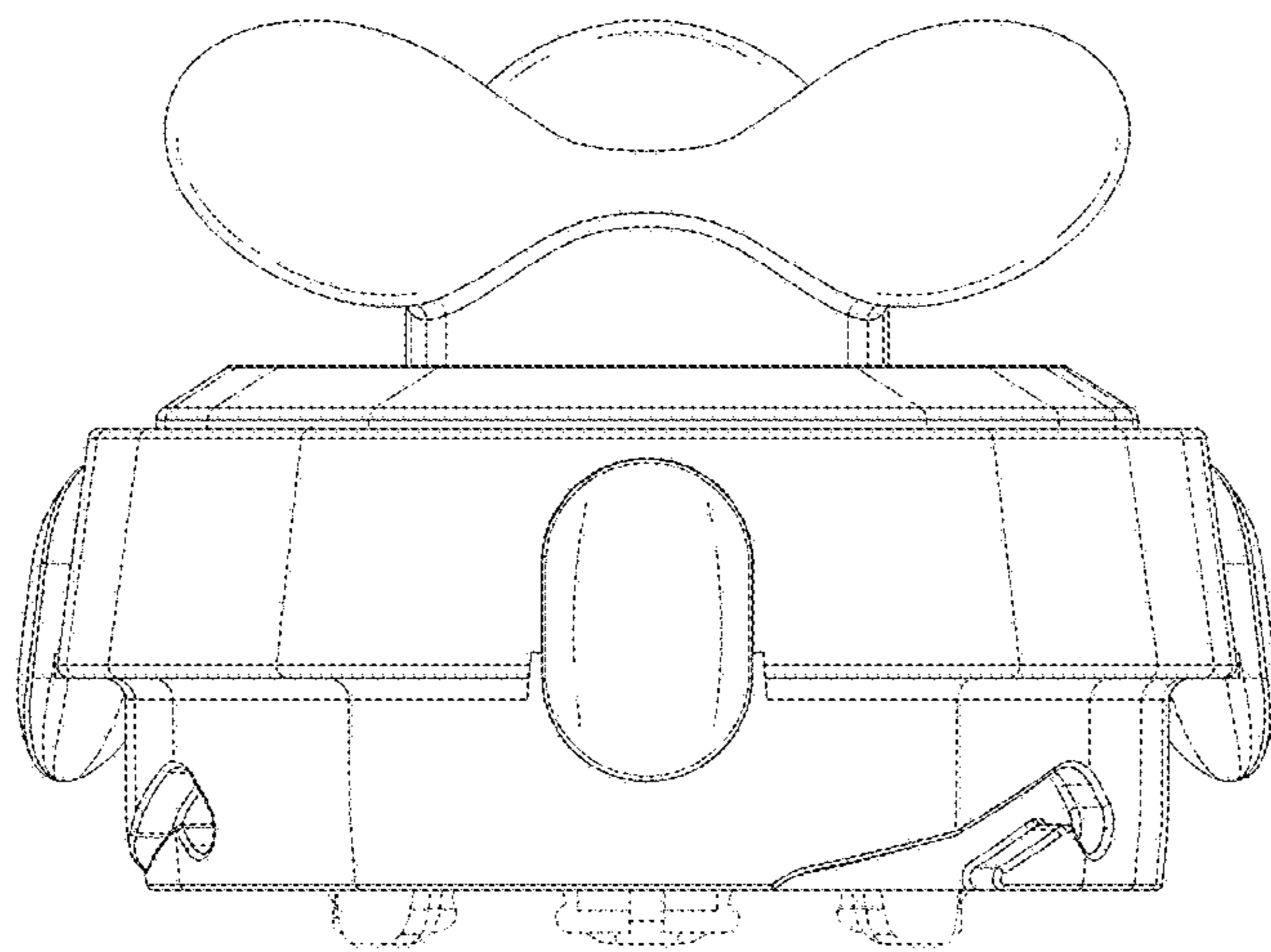


FIG.21

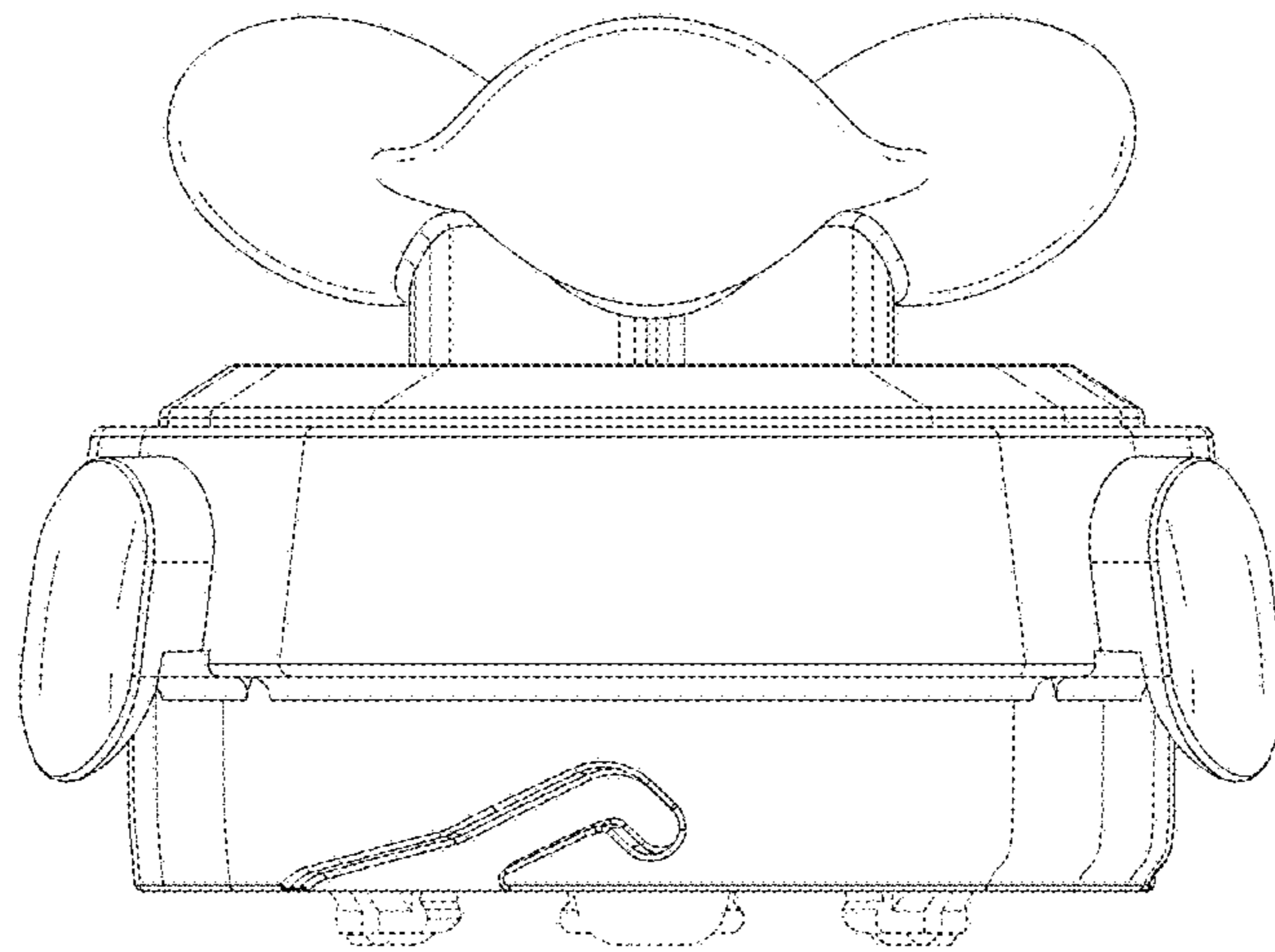


FIG.22

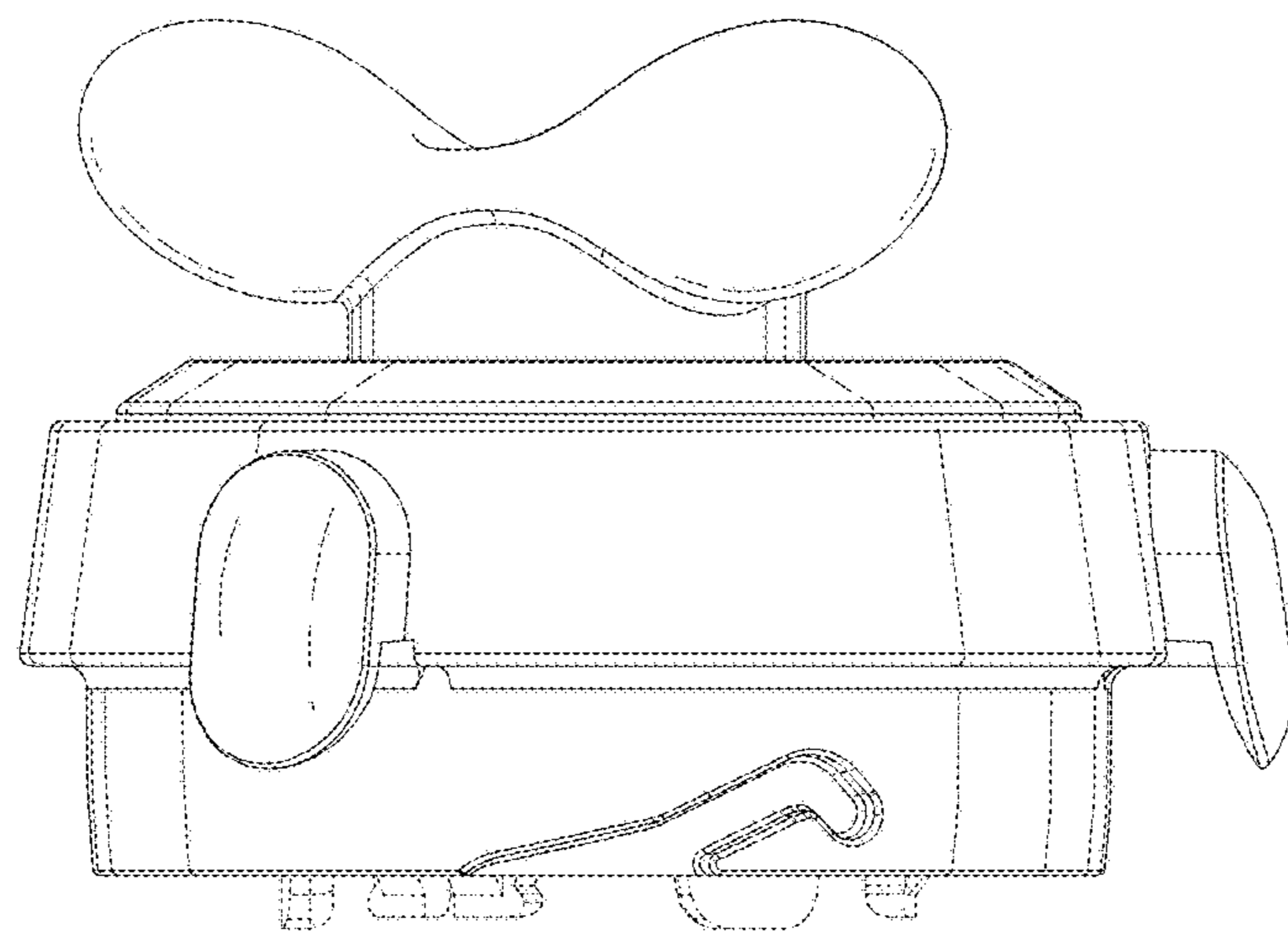


FIG.23

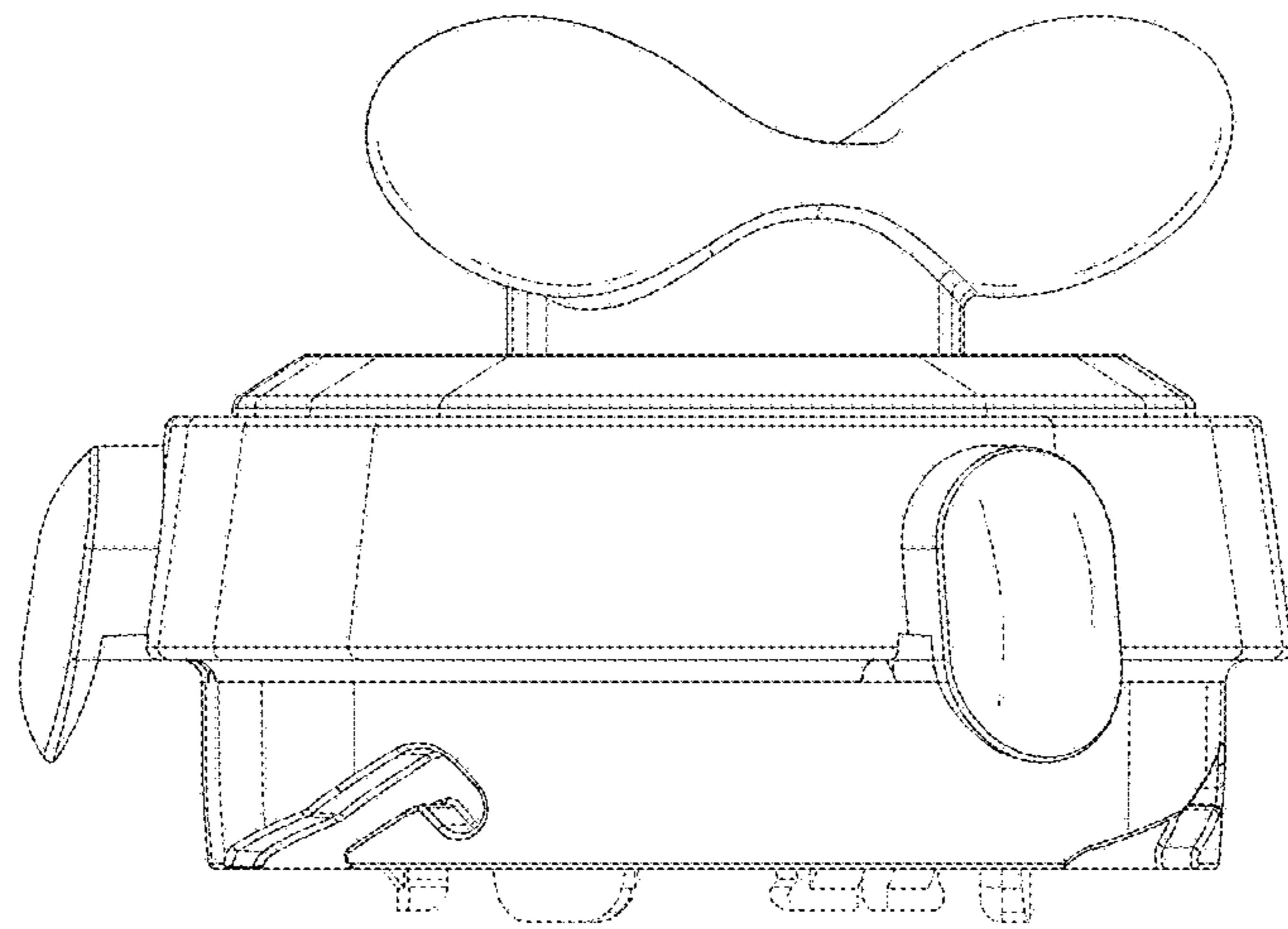


FIG.24

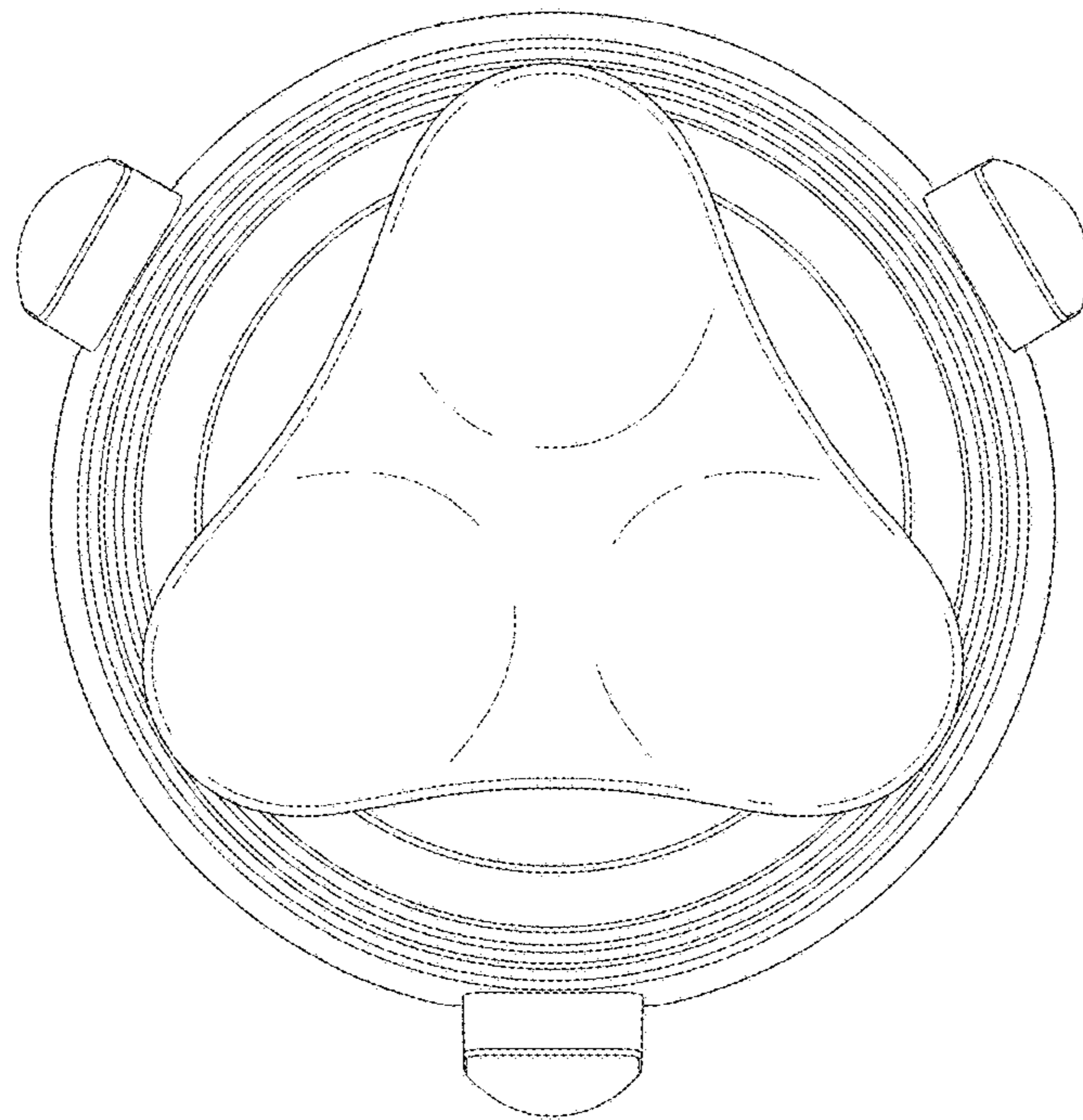


FIG.25

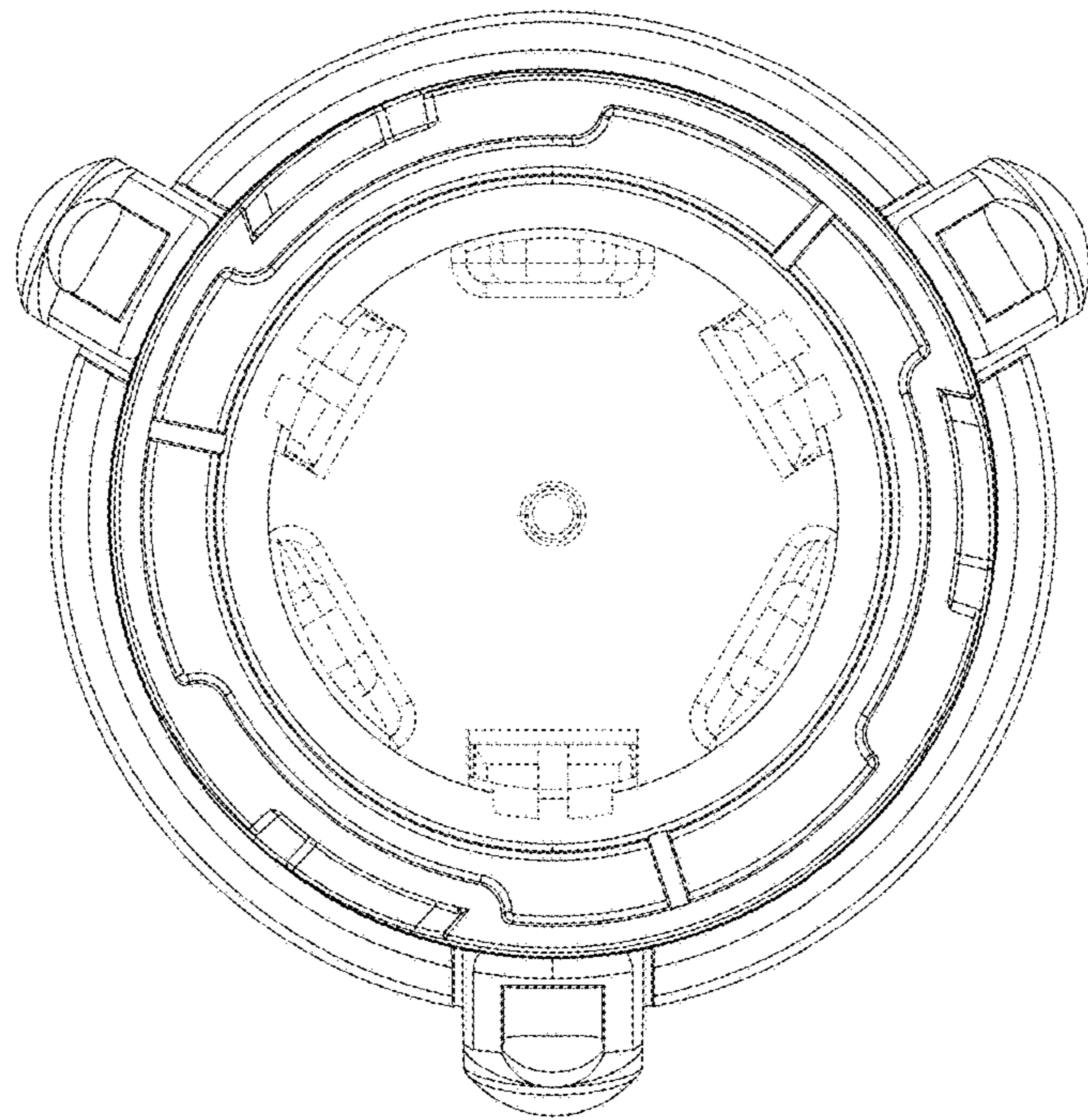


FIG.26