



US00D843001S

(12) **United States Design Patent**  
**Davis et al.**

(10) **Patent No.:** **US D843,001 S**  
(45) **Date of Patent:** **\*\* Mar. 12, 2019**

- (54) **MESSAGE ROLLER CORE**
- (71) Applicants: **Richard Davis**, Owasso, OK (US);  
**Charles Caswell**, Tulsa, OK (US)
- (72) Inventors: **Richard Davis**, Owasso, OK (US);  
**Charles Caswell**, Tulsa, OK (US)
- (73) Assignee: **GoFit, L.L.C.**, Tulsa, OK (US)
- (\*\*) Term: **15 Years**
- (21) Appl. No.: **29/558,349**
- (22) Filed: **Mar. 16, 2016**
- (51) **LOC (11) Cl.** ..... **28-03**
- (52) **U.S. Cl.**  
USPC ..... **D24/211**
- (58) **Field of Classification Search**  
USPC ..... D24/200, 211, 212, 213, 214, 215;  
601/19, 22, 27-32, 46, 52, 99, 112, 113,  
601/118, 125, 143, DIG. 12, DIG. 14,  
601/DIG. 15, DIG. 16, DIG. 17  
CPC ..... A61H 1/0266; A61H 2015/0007; A61H  
2015/0014; A61H 2015/0042; A61H  
2015/0035; A61H 15/00; A61H 7/003;  
A61H 7/005; A61H 7/00; A61H  
2001/027; A61H 11/00; A61H 19/00;  
A61H 19/30; A61H 19/32; A61H 19/34;  
A61H 19/40; A61H 19/44; A61H 19/50;  
A61H 21/00  
See application file for complete search history.

- 9,005,146 B2 \* 4/2015 Phillips ..... A61H 15/0092  
482/132
  - D736,398 S \* 8/2015 Kwon ..... D24/211
  - D737,456 S \* 8/2015 McDonough ..... D24/211
  - D764,066 S \* 8/2016 Somjee ..... D24/211
  - D765,262 S \* 8/2016 Greenhouse ..... A63B 21/4049  
D24/211
  - 9,463,133 B2 \* 10/2016 Rodgers ..... A61H 7/00
  - D788,313 S \* 5/2017 Lawrie ..... D24/211
  - D794,814 S \* 8/2017 Higgins ..... D24/211
- (Continued)

*Primary Examiner* — Sandra S Snapp  
(74) *Attorney, Agent, or Firm* — AJ D. Martinez; Latham,  
Wagner, Steele & Lehman, P.C.

(57) **CLAIM**

The ornamental design for a massage roller core, as shown and described.

**DESCRIPTION**

FIG. 1 is a three-quarters perspective view thereof, with the massage surface or body of a massage roller reflected in dashed lines surrounding the core for illustrative purposes only as it is not a claimed feature of this invention;

FIG. 2 is a three-quarters perspective view thereof, showing only the massage roller core;

FIG. 3 is an end view thereof, with the massage surface or body of the massage roller reflected in dashed lines surrounding the core for illustrative purposes only as it is not a claimed feature of this invention, the opposite side being the mirror image; and,

FIG. 4 is a cross-section side view thereof taken at line 4-4 of FIG. 3 with the massage surface or body of the massage roller reflected in dashed lines surrounding the core for illustrative purposes only as it is not a claimed feature of this invention.

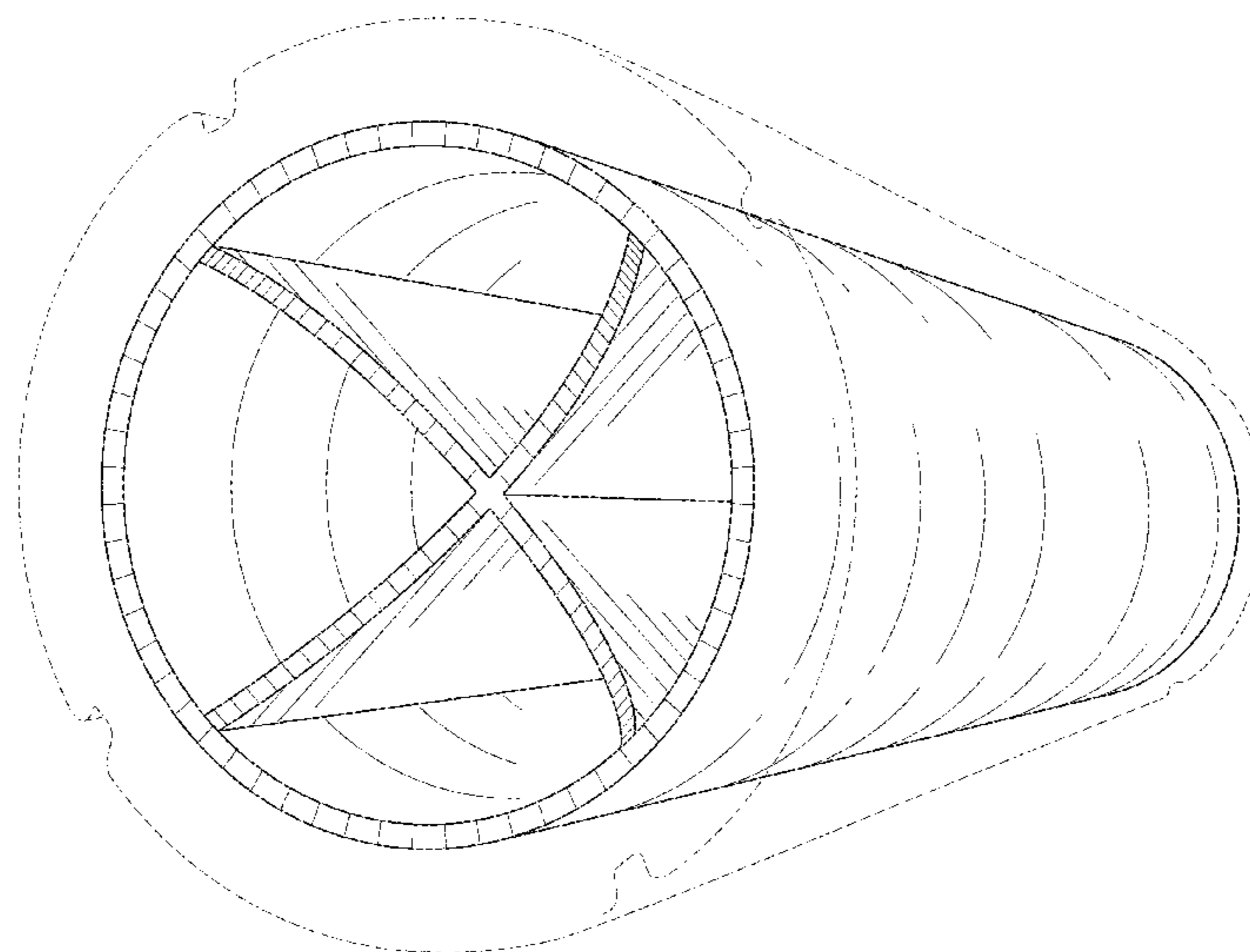
A massage roller core is disclosed. The core is referred to as an “X-core” and/or otherwise described as being “finned.” The features of the massage roller core are shown and described in the drawings.

(56) **References Cited**

U.S. PATENT DOCUMENTS

- D361,132 S \* 8/1995 Lee ..... D24/200
- D573,262 S \* 7/2008 Soucy ..... D24/211
- D693,934 S \* 11/2013 Lin ..... D24/215
- D713,050 S \* 9/2014 Kao ..... A61H 15/00  
D24/211

**1 Claim, 4 Drawing Sheets**



(56)

**References Cited**

U.S. PATENT DOCUMENTS

D804,048 S \* 11/2017 Winkley ..... D24/215  
2015/0045707 A1\* 2/2015 Selvaggio ..... A61H 15/0092  
601/118  
2015/0190304 A1\* 7/2015 Lawrie ..... A61H 15/0092  
601/118  
2017/0202729 A1\* 7/2017 Lin ..... A61H 15/0092

\* cited by examiner

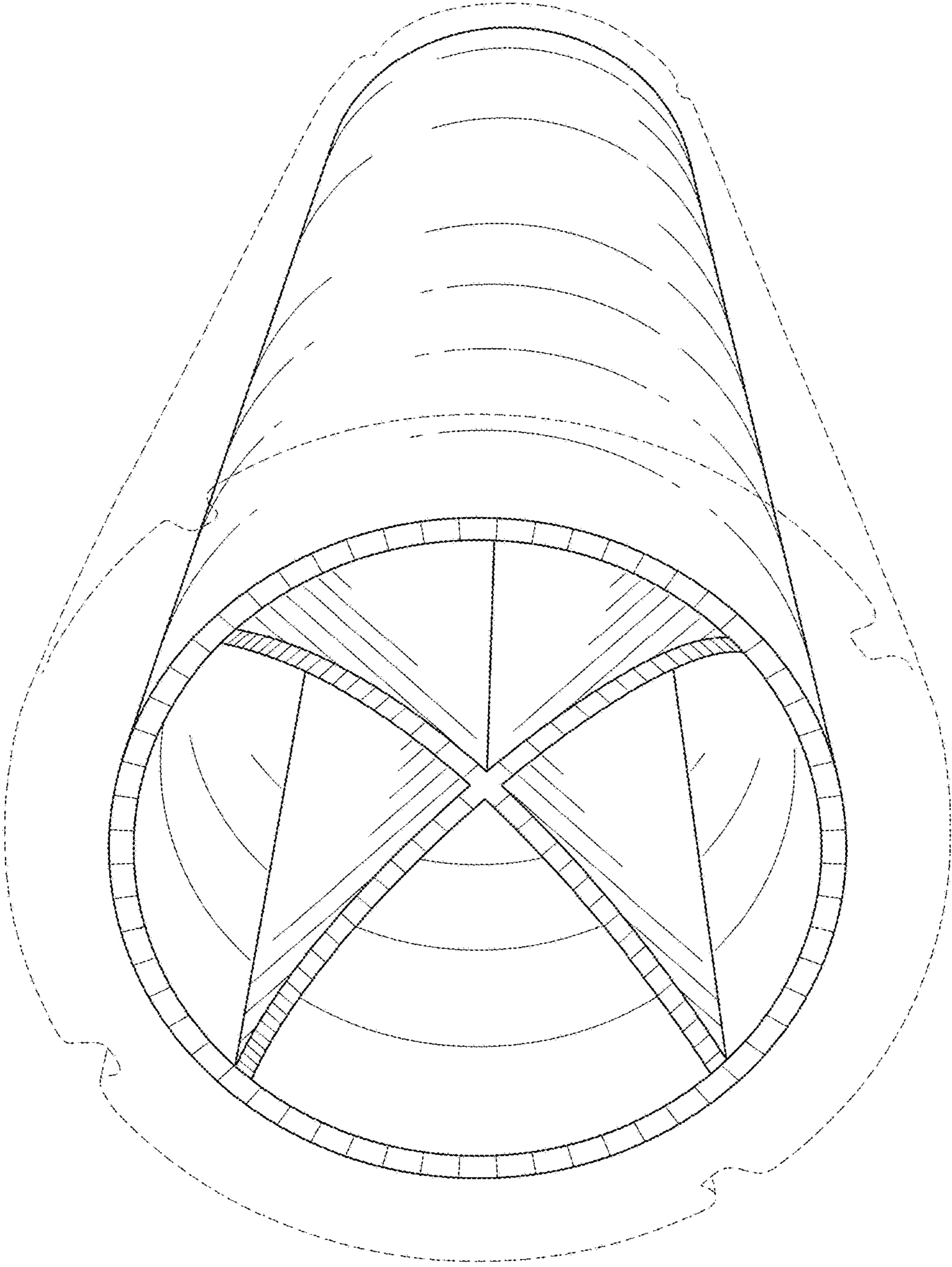


FIG. 1

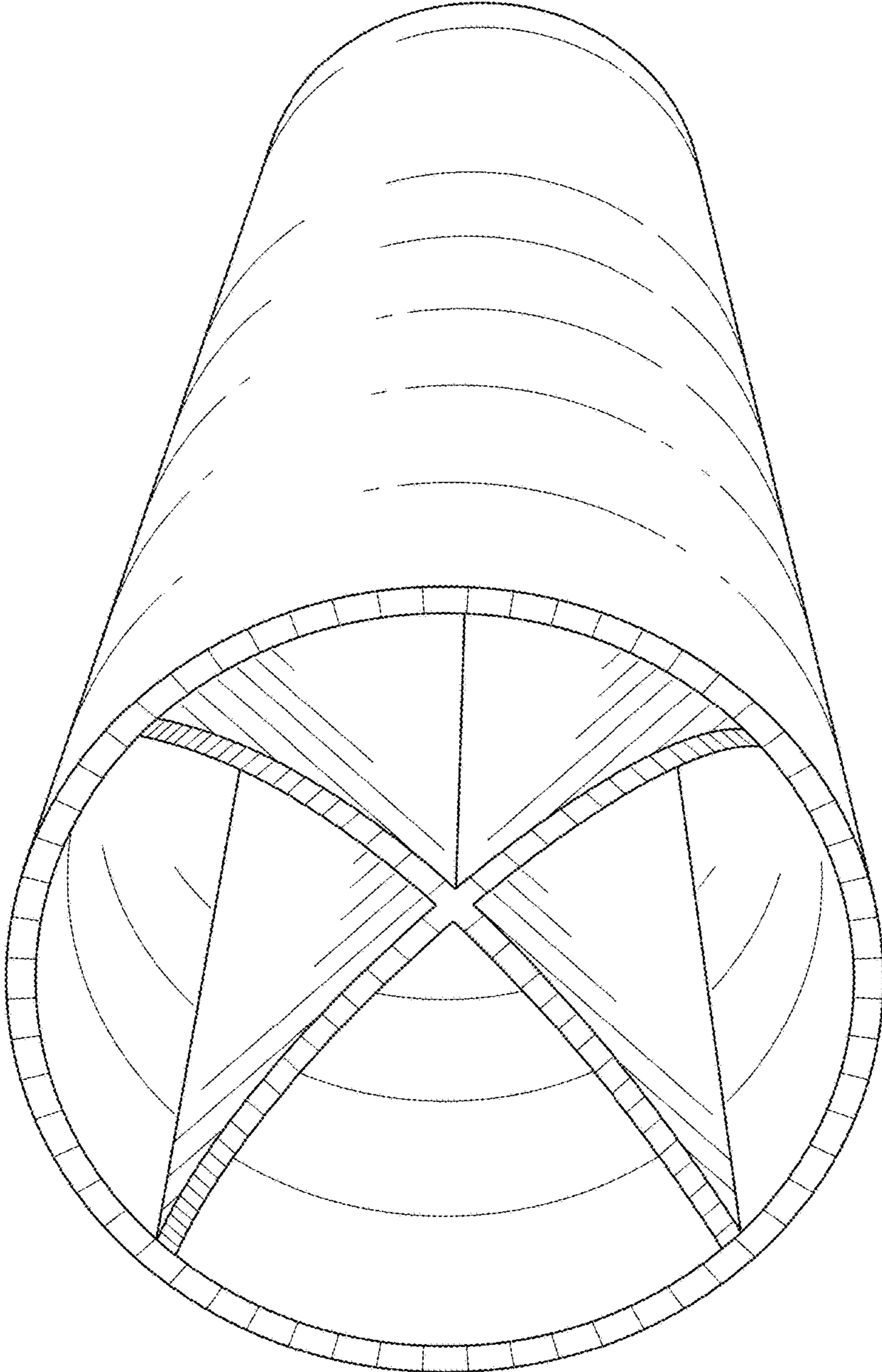


FIG. 2

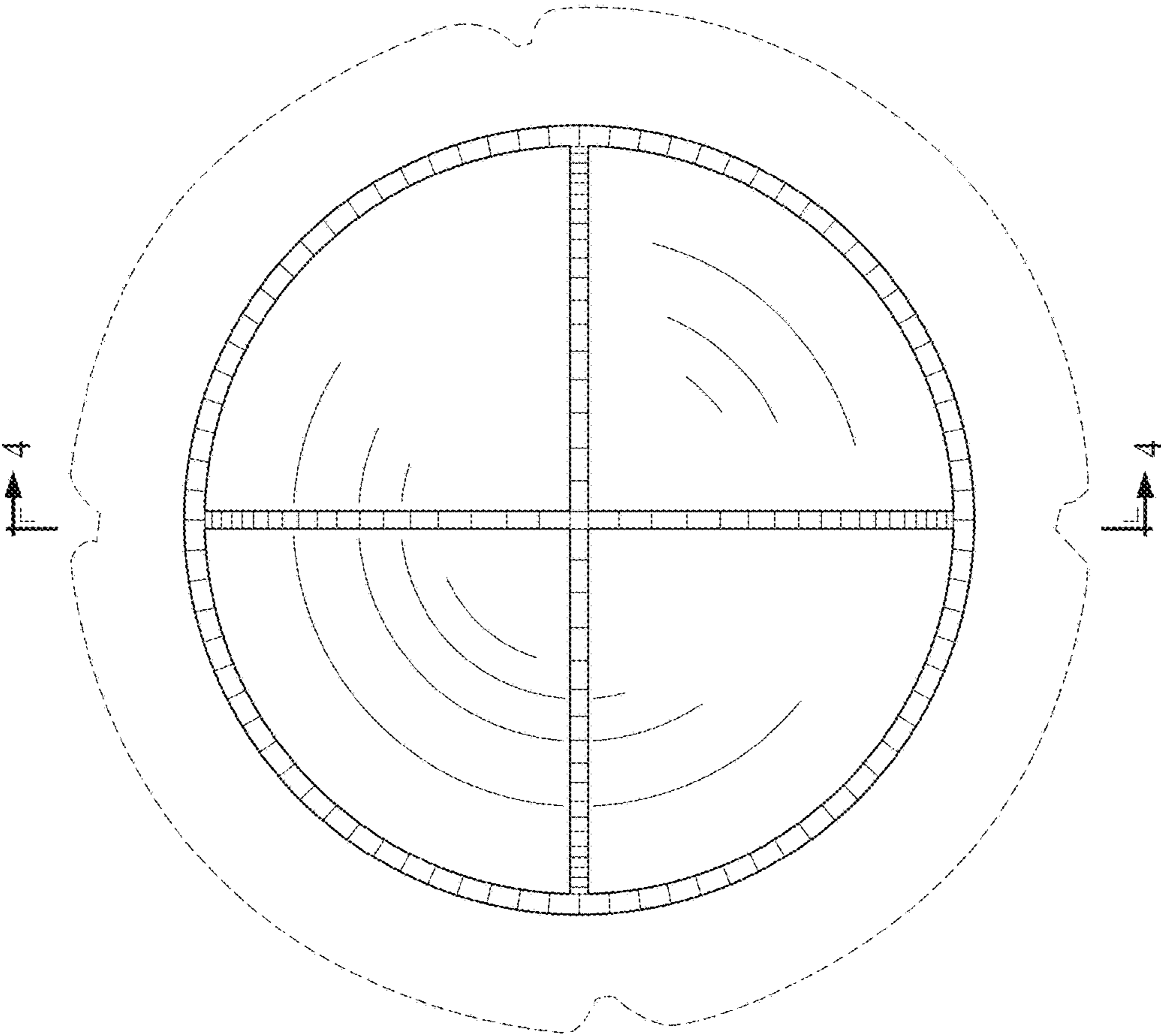


FIG. 3

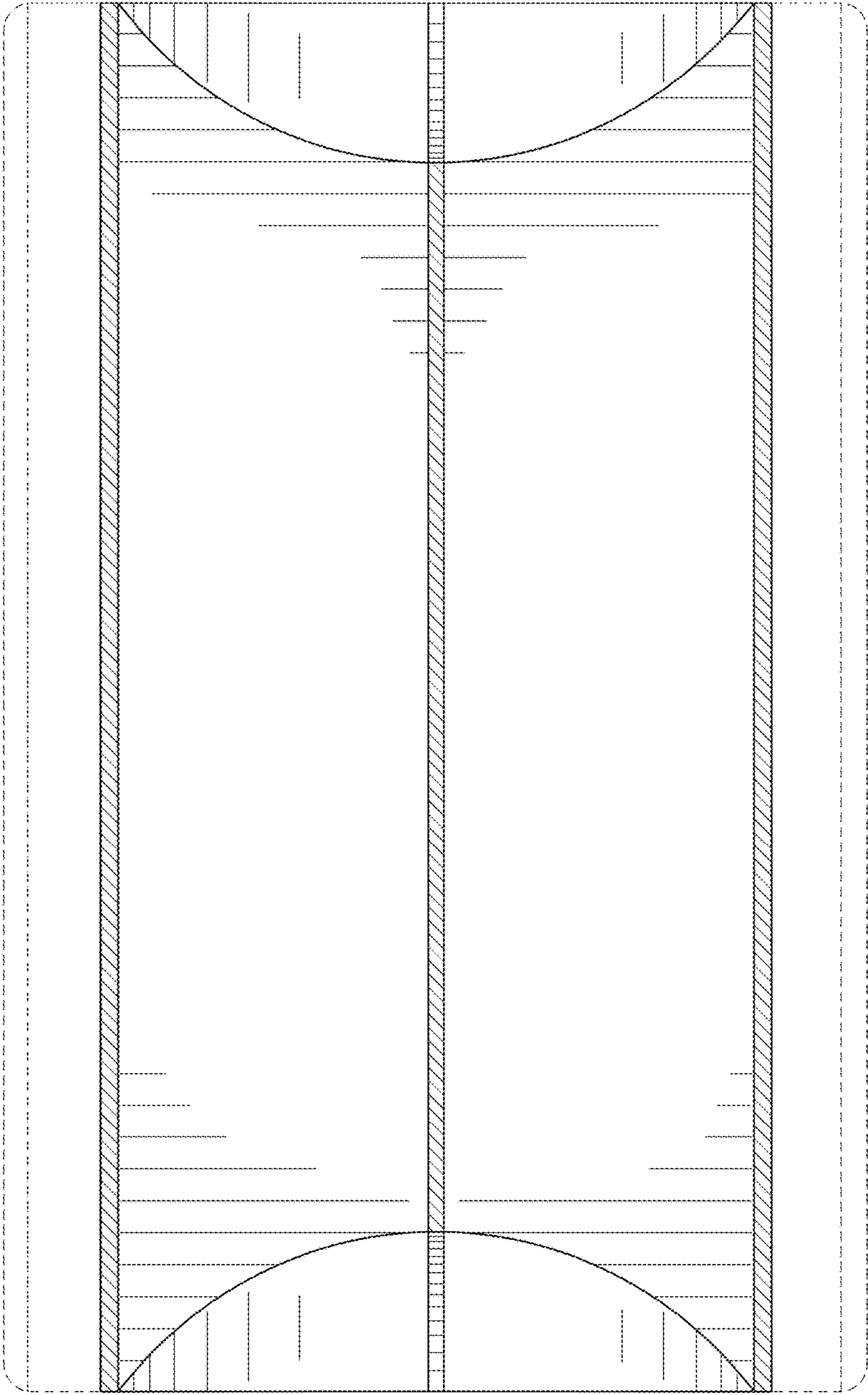


FIG. 4