



US00D842999S

(12) **United States Design Patent**
Fleury et al.

(10) **Patent No.:** **US D842,999 S**
(45) **Date of Patent:** **** Mar. 12, 2019**

(54) **COMBINATION INFANT FEEDING AND DOSAGE CAP**

(71) Applicant: **Medela Holding AG**, Baar (CH)

(72) Inventors: **Mike Fleury**, Brea, CA (US); **Deanna Gilbert**, McHenry, IL (US); **Kathryn Mizuchi**, McHenry, IL (US)

(73) Assignee: **MEDELA HOLDING AG**, Baar (CH)

(**) Term: **15 Years**

(21) Appl. No.: **29/606,599**

(22) Filed: **Jun. 6, 2017**

(51) **LOC (11) Cl.** **07-01**

(52) **U.S. Cl.**
USPC **D24/197; D24/127; D7/392.1**

(58) **Field of Classification Search**
USPC D24/115, 117, 127, 193, 194, 195, 196,
D24/197; D30/160; D7/392.1; D9/436;
D21/576, 596, 604, 616, 619, 652
CPC A61J 11/00; A61J 11/0045; A61J 9/00;
B65D 41/04
See application file for complete search history.

(56) **References Cited**

U.S. PATENT DOCUMENTS

D275,231	S	*	8/1984	Fuller	D24/197
4,867,159	A	*	9/1989	Fulton	A61J 17/006 606/236
D335,187	S	*	4/1993	Stege	D24/194
D359,808	S	*	6/1995	Raghava	D24/196
D363,220	S	*	10/1995	Charbonneau	D9/436
5,573,507	A	*	11/1996	Moser	A47G 21/18 215/11.1
D412,582	S	*	8/1999	Morano	D24/197
D497,282	S	*	10/2004	Kelly	D7/392.1
D599,616	S	*	9/2009	Cresswell	D7/392.1

D638,120	S	*	5/2011	Schultz	D24/127
D702,360	S	*	4/2014	Shenker	D24/197
8,851,333	B2	*	10/2014	van de Poll	B05B 11/04 222/207
9,510,562	B2	*	12/2016	Pio	A01K 9/005

OTHER PUBLICATIONS

“The Wise Baby: best bottle for breastfed babies—part I”. Found online May 23, 2018 at thewisebaby.com. Page dated Jun. 18, 2013. Retrieved from <http://www.thewisebaby.com/best-bottle-for-breastfed-babies/>.*

(Continued)

Primary Examiner — George D. Kirschbaum
Assistant Examiner — Kendra Leslie Hamilton
(74) *Attorney, Agent, or Firm* — Stetina Brunda Garred and Brucker

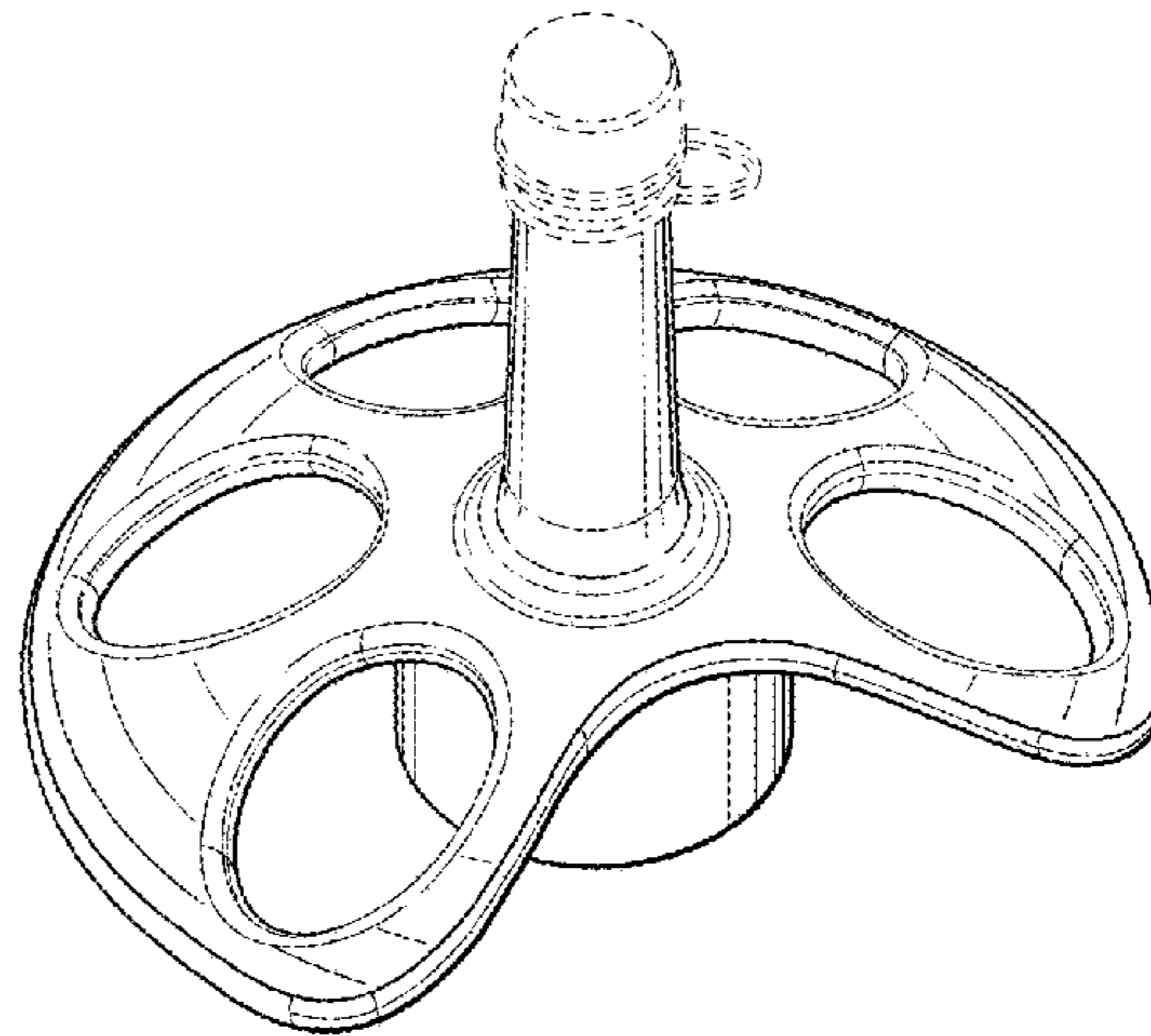
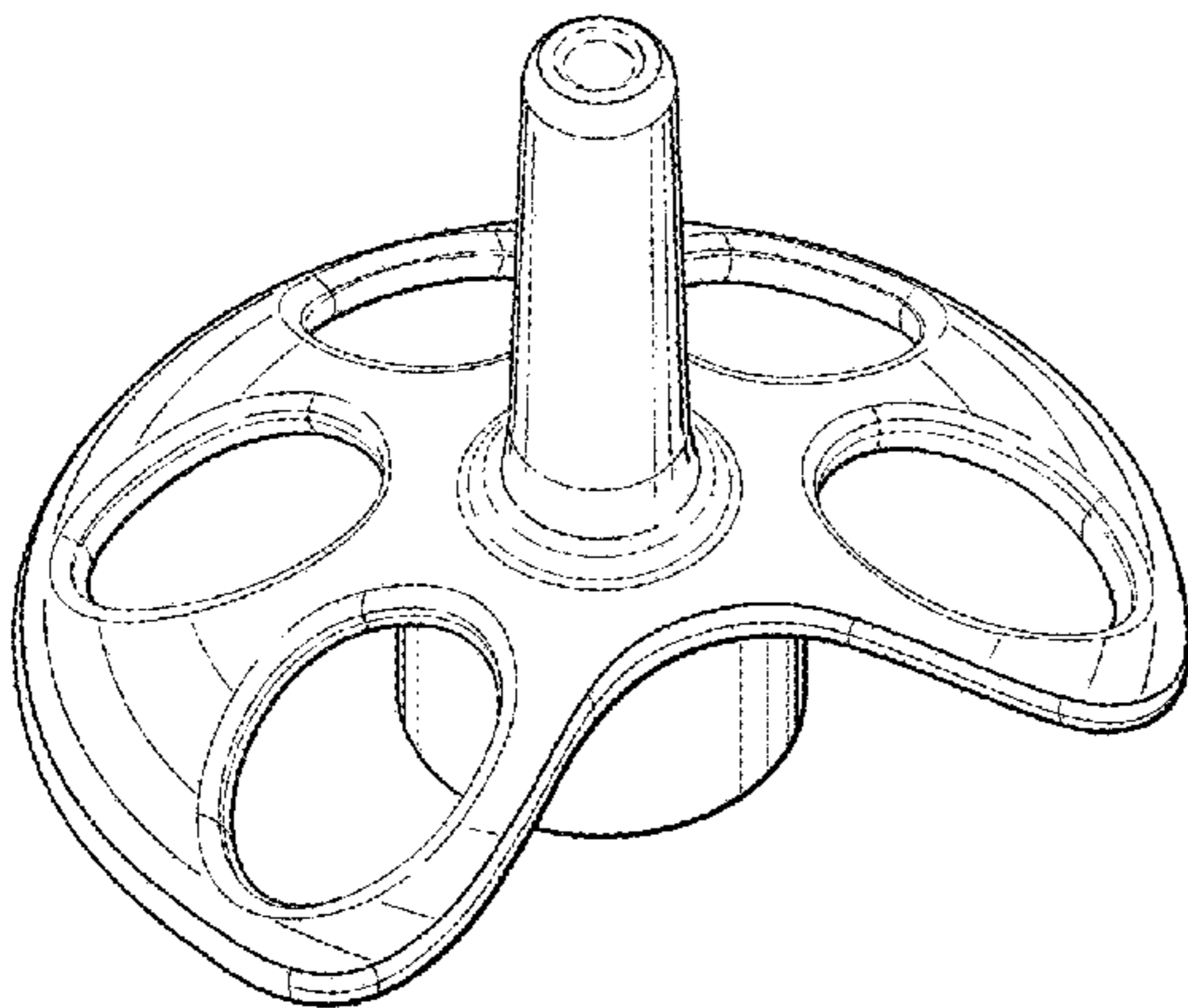
(57) **CLAIM**

The ornamental design for a combination infant feeding and dosage cap, as shown and described.

DESCRIPTION

FIG. 1 is a top front right perspective view of a first embodiment of a combination infant feeding and dosage cap;
FIG. 2 is a front elevation view thereof;
FIG. 3 is a left side elevation view thereof, the right side elevation view being a mirror image thereof;
FIG. 4 is a rear elevation view thereof;
FIG. 5 is a top plan view thereof;
FIG. 6 is a bottom plan view thereof; and,
FIG. 7 is a top front right perspective view of a second embodiment of a combination infant feeding and dosage cap.
The broken lines in the drawings illustrate portions of the combination infant feeding and dosage cap that form no part of the claimed design.

1 Claim, 4 Drawing Sheets



(56)

References Cited

OTHER PUBLICATIONS

“Pura Kiki Mouthpiece and Straw Top Module”. Found online May 23, 2018 at amazon.co.uk. Page dated Mar. 4, 2015. Retrieved from https://www.amazon.co.uk/Pura-Kiki-Mouthpiece-Straw-Module/dp/B00SHD27NU/ref=sr_1_1_a_it?ie=UTF8&qid=1527106472&sr=8-1&keywords=pura.*

“EeziMed dummy makes the medicine go down”. Found online Jul. 29, 2016 at babyology.com.au. Page dated Sep. 9, 2011. Retrieved from <http://babyology.com.au/gadgets/eezimed-dummy-makes-the-medicine-go-down.html>.*

“Ba Baby Bottle Holder”. Found online Aug. 26, 2016 at amazon.com. Page dated Jan. 12, 2012. Retrieved from https://www.amazon.com/Ba-Baby-Bottle-Holder-Green/dp/B006LKX10E/ref=cm_cr_arp_d_product_top?ie=UTF8.*

* cited by examiner

Fig. 1

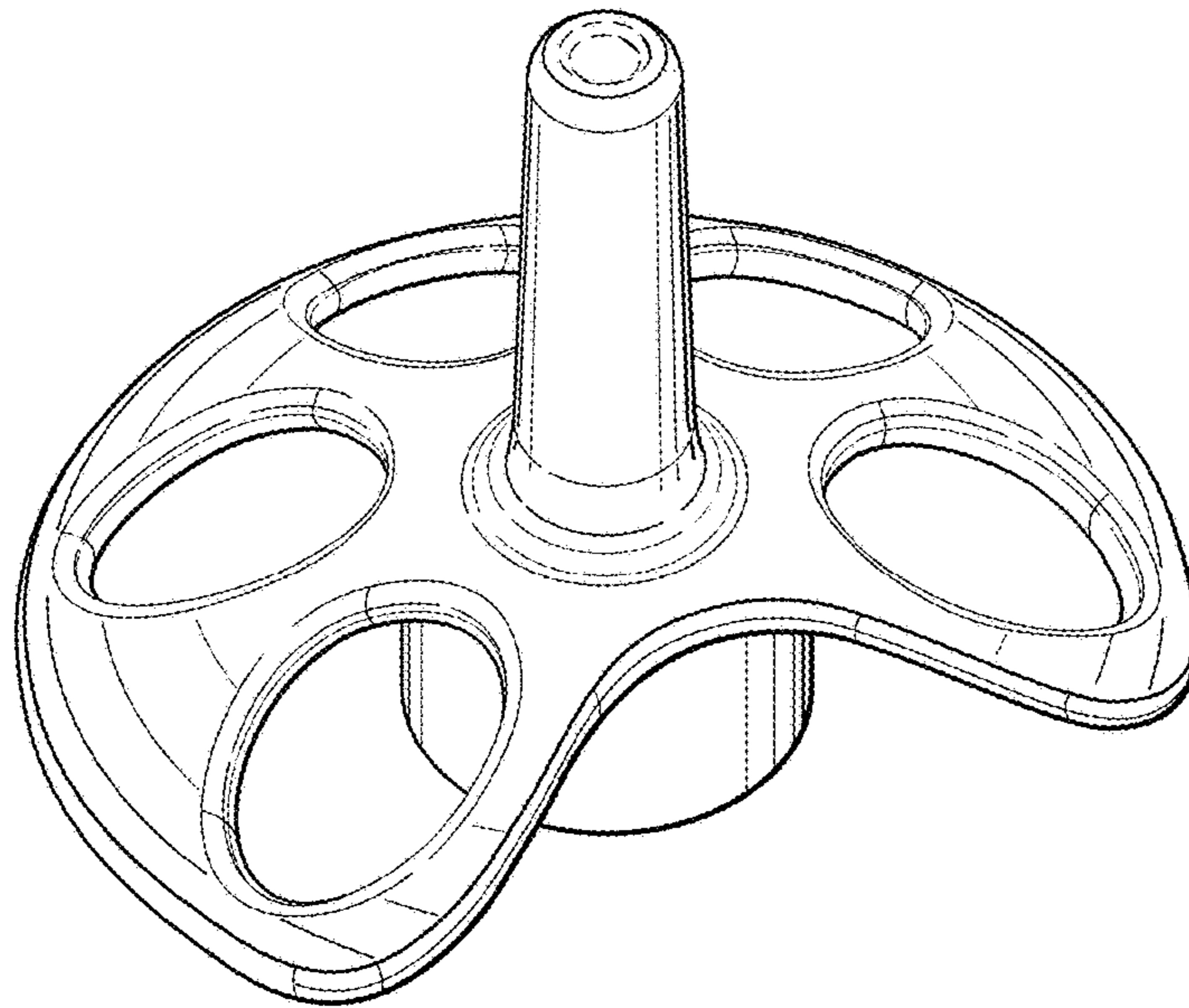


Fig. 2

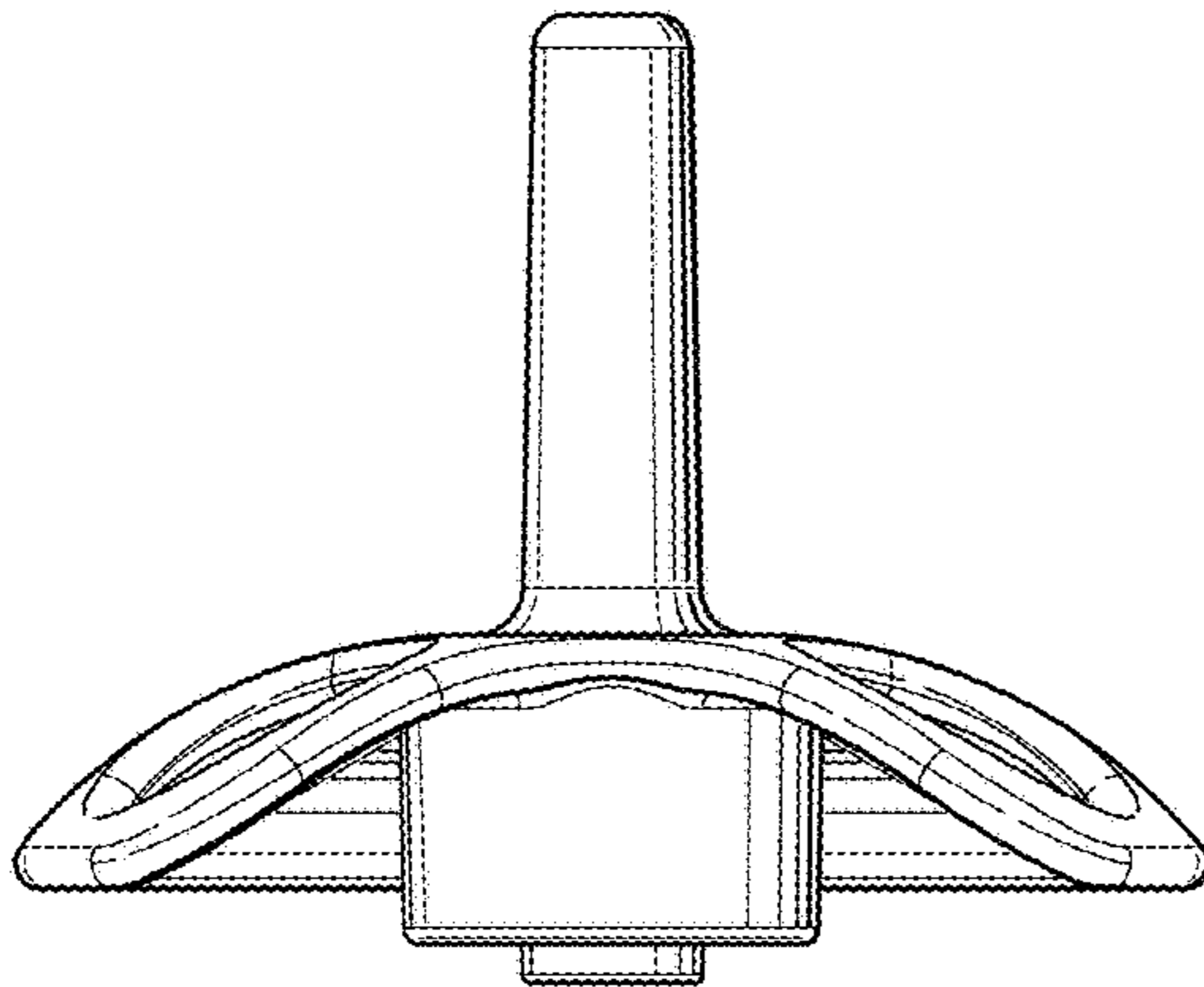


Fig. 3

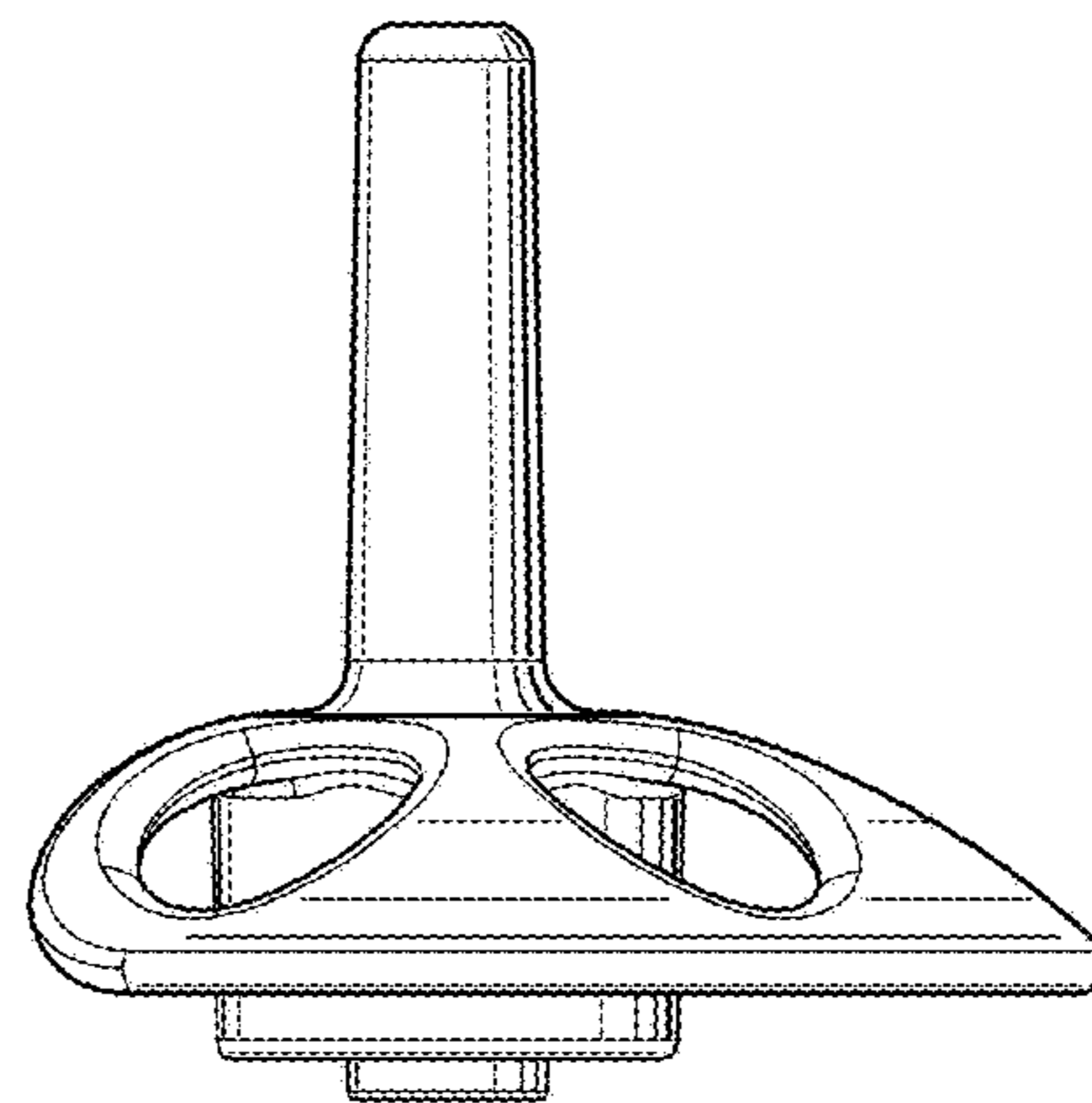


Fig. 4

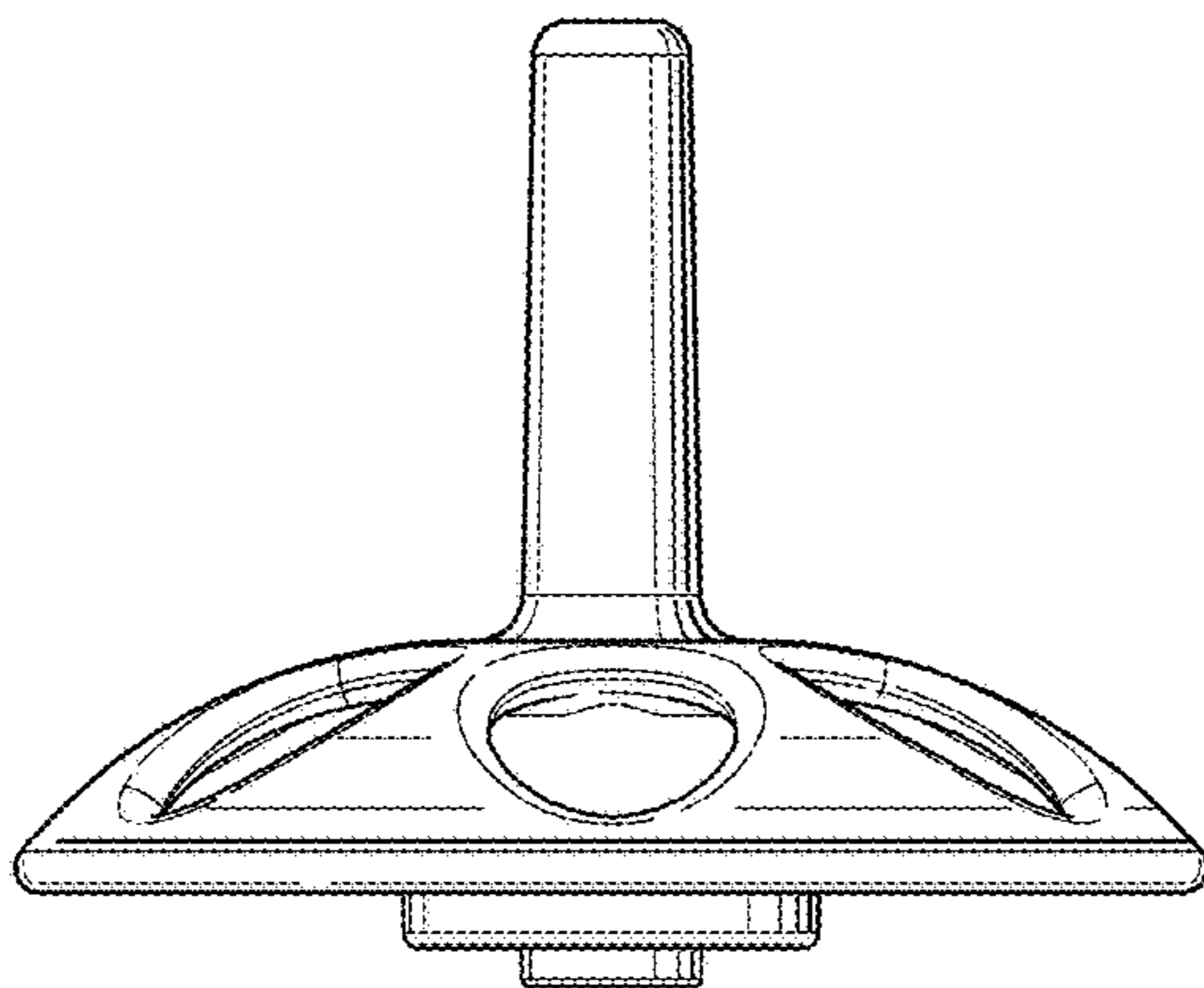


Fig. 5

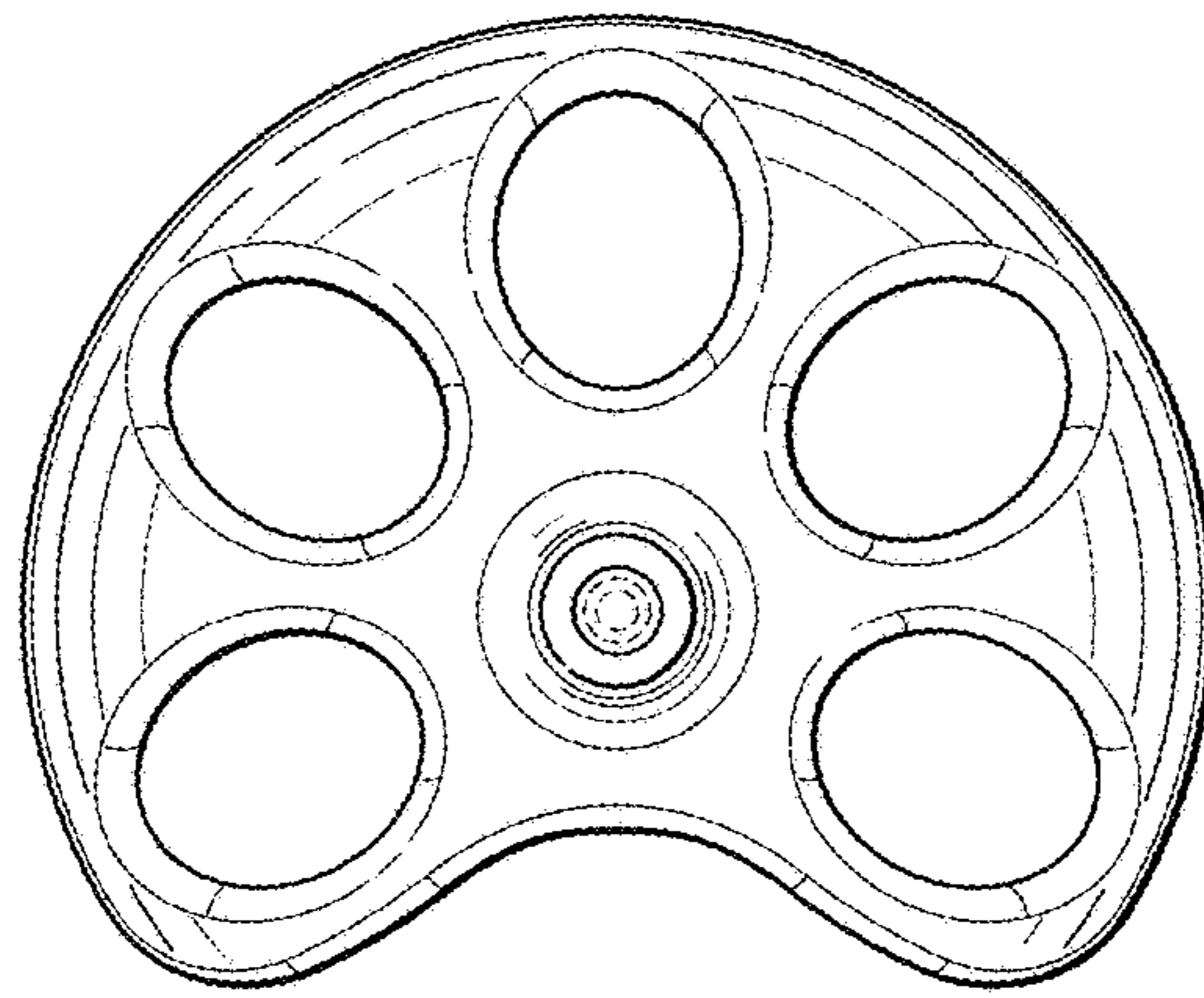


Fig. 6

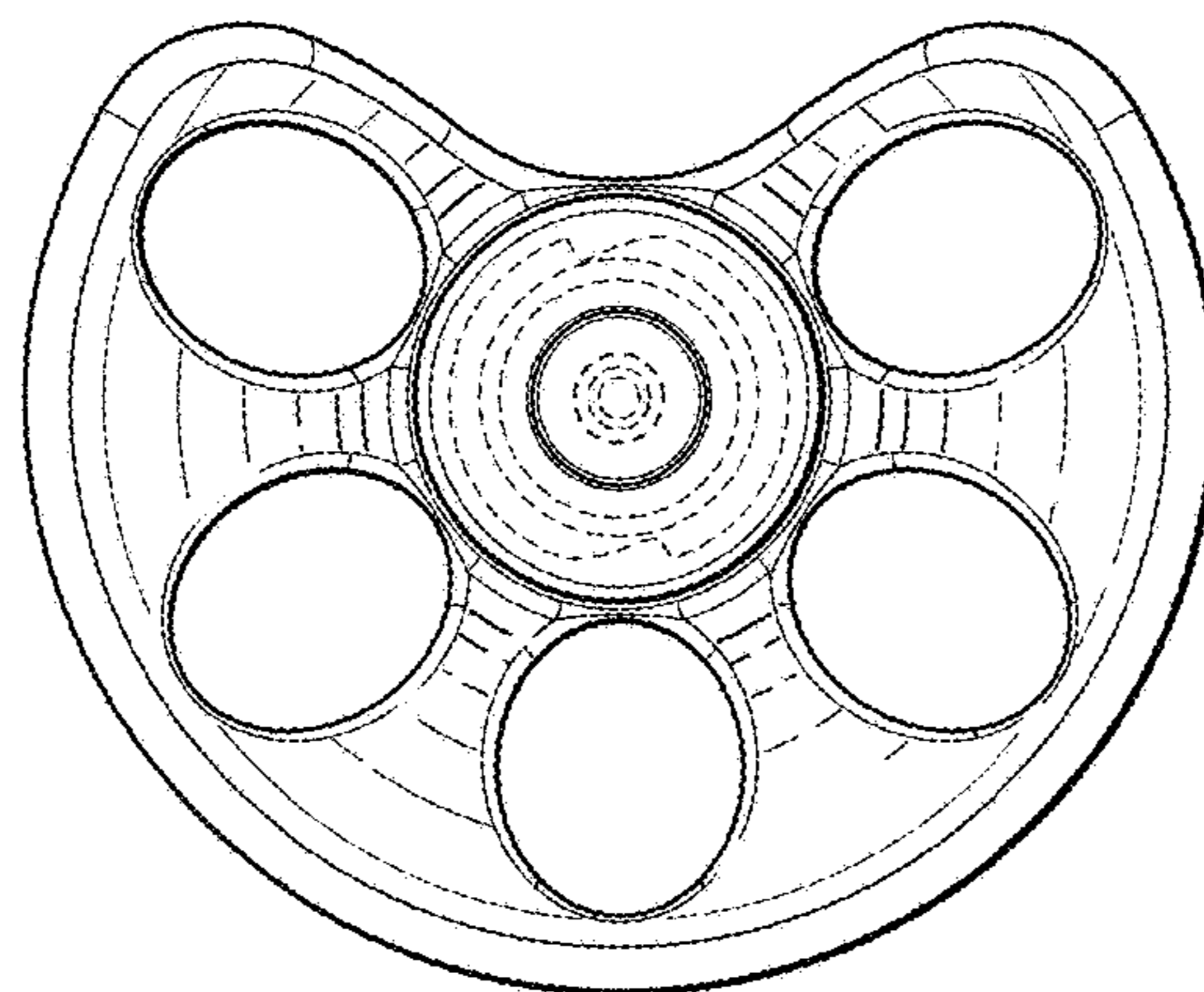


Fig. 7

