

US00D842995S

(12) **United States Design Patent**
Ballsieper

(10) **Patent No.:** **US D842,995 S**
(45) **Date of Patent:** **** Mar. 12, 2019**

(54) **DEVICE FOR PROTECTION AGAINST X-RAYS**

6,779,767 B2 * 8/2004 Kuhn F16M 11/08
248/276.1
7,294,845 B2 * 11/2007 Ballsieper A61B 6/107
128/857

(71) Applicant: **MAVIG GmbH**, Munich (DE)

D751,710 S 3/2016 Ballsieper

(72) Inventor: **Barbara Ballsieper**, Munich (DE)

D771,258 S 11/2016 Ballsieper

(73) Assignee: **MAVIG GMBH**, Munich (DE)

D772,414 S 11/2016 Ballsieper

D772,415 S 11/2016 Ballsieper

D775,340 S 12/2016 Ballsieper

(**) Term: **15 Years**

2013/0299723 A1 * 11/2013 Murase A61B 6/107
250/515.1

(Continued)

(21) Appl. No.: **29/618,803**

Primary Examiner — Anhdao Doan

(22) Filed: **Sep. 25, 2017**

(74) *Attorney, Agent, or Firm* — Hodgson Russ LLP

(30) **Foreign Application Priority Data**

(57) **CLAIM**

Mar. 24, 2017 (EM) 003822238-0001
Mar. 24, 2017 (EM) 003822238-0002
Mar. 24, 2017 (EM) 003822238-0003
Mar. 24, 2017 (EM) 003822238-0004

The ornamental design for a device for protection against X-rays, as shown and described.

DESCRIPTION

(51) **LOC (11) Cl.** **24-01**

(52) **U.S. Cl.**
USPC **D24/158**

(58) **Field of Classification Search**
USPC D24/107, 158–161, 185, 186, 187, 231;
D29/100, 104–107
CPC .. A61B 6/107; G21F 3/00; G21F 3/02; G21Y
2002/501; A61N 2005/1094
See application file for complete search history.

FIG. 1 is a perspective view of a first embodiment of a device for protection against X-rays, showing my new design;
FIG. 2 is a front elevation view thereof;
FIG. 3 is a rear elevation view thereof;
FIG. 4 is a left side elevation view thereof;
FIG. 5 is a right side elevation view thereof;
FIG. 6 is a top plan view thereof;
FIG. 7 is a bottom plan view thereof;
FIG. 8 is a perspective view of a second embodiment of a device for protection against X-rays;
FIG. 9 is a front elevation view thereof;
FIG. 10 is a rear elevation view thereof;
FIG. 11 is a left side elevation view thereof;
FIG. 12 is a right side elevation view thereof;
FIG. 13 is a top plan view thereof; and,
FIG. 14 is a bottom plan view.

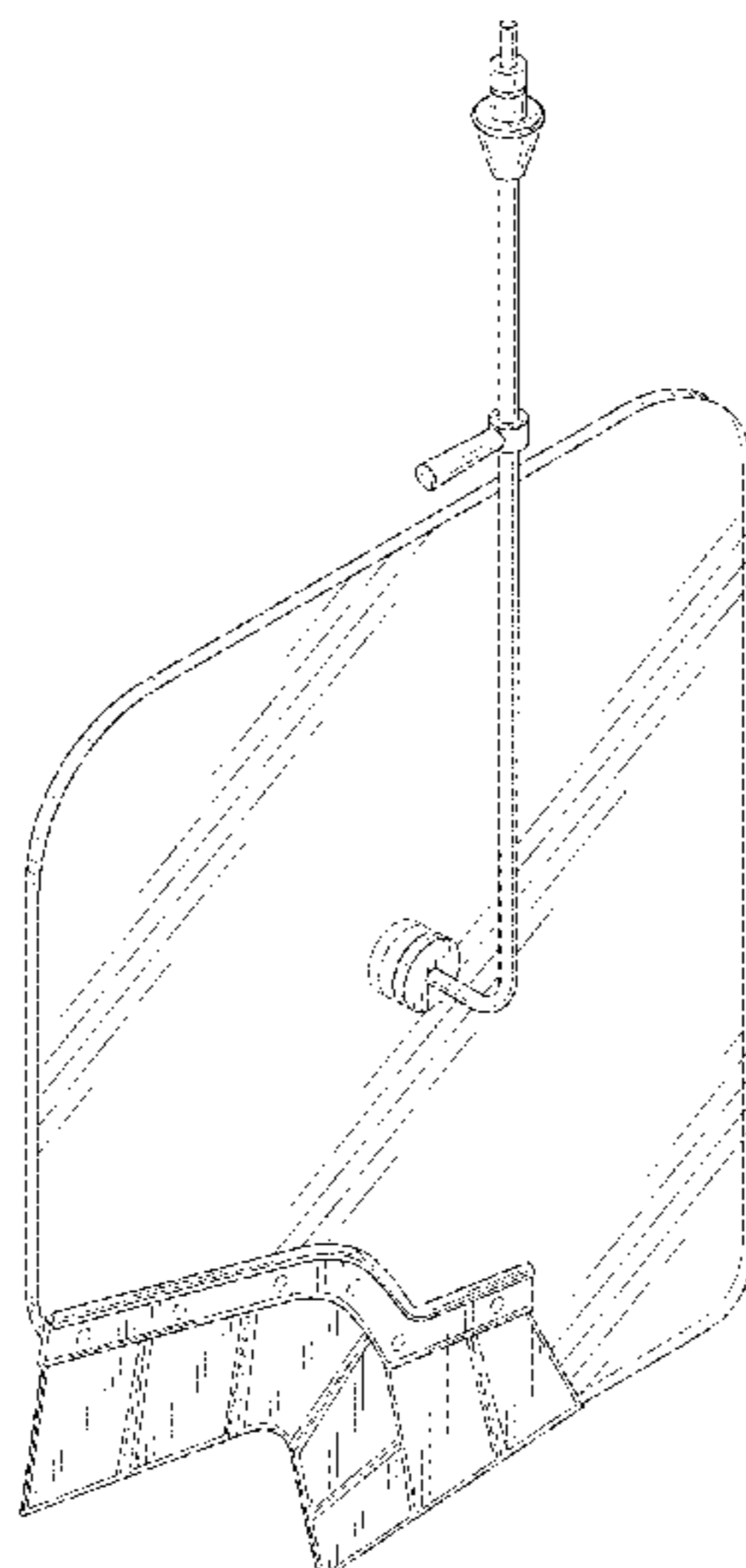
The broken lines depict portions of the device that form no part of the claim.

(56) **References Cited**

U.S. PATENT DOCUMENTS

4,715,366 A * 12/1987 Teeple A61B 90/04
128/849
D300,945 S * 5/1989 Fleming D24/158
4,923,162 A * 5/1990 Fleming A61B 6/107
248/276.1
D355,036 S * 1/1995 Shufelt D24/232
D358,473 S * 5/1995 Taylor D2/861
6,481,888 B1 * 11/2002 Morgan A61B 6/107
250/515.1

1 Claim, 10 Drawing Sheets



(56)

References Cited

U.S. PATENT DOCUMENTS

2017/0119324 A1* 5/2017 Wilson A61B 6/107
2017/0258417 A1* 9/2017 Hoornaert A61B 6/547

* cited by examiner

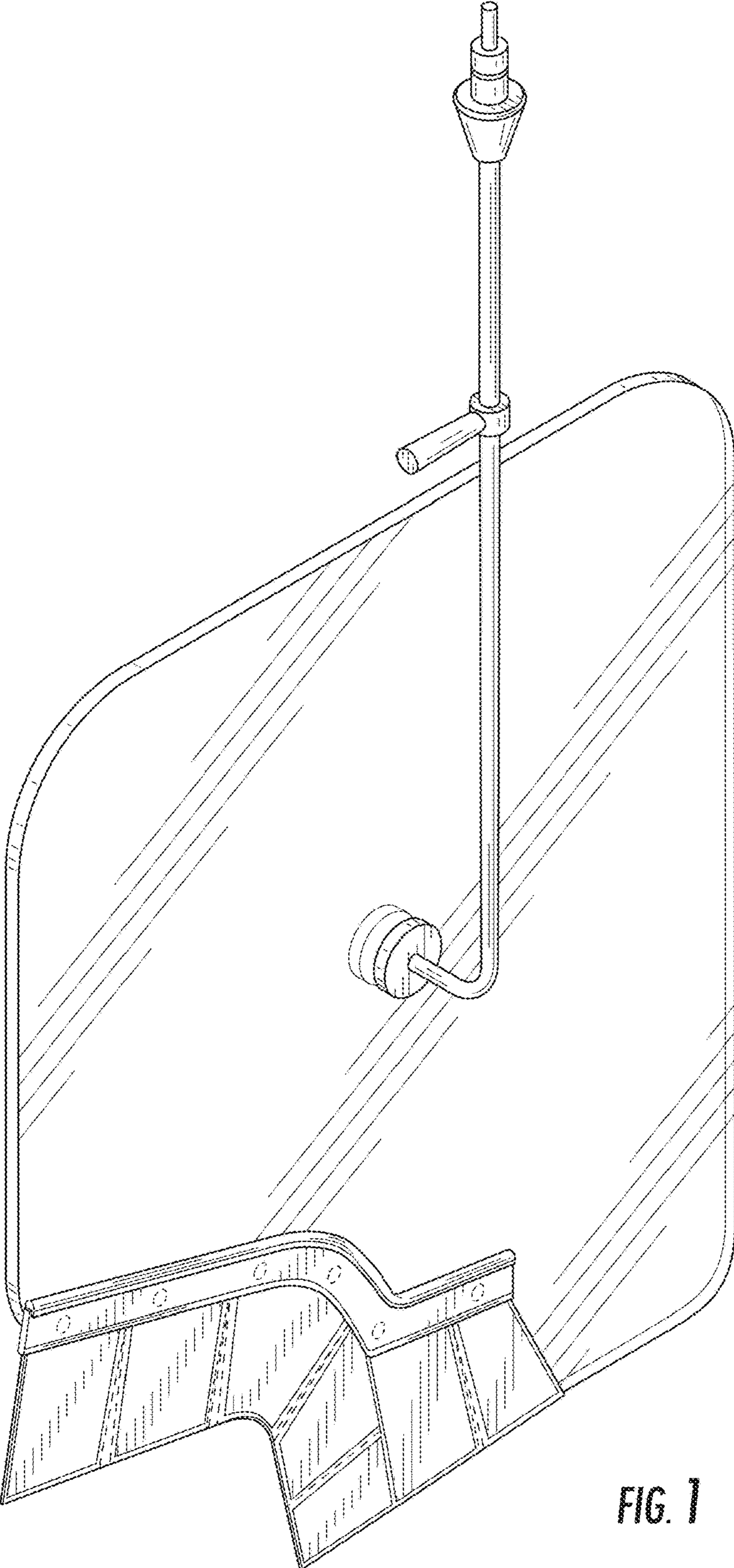


FIG. 1

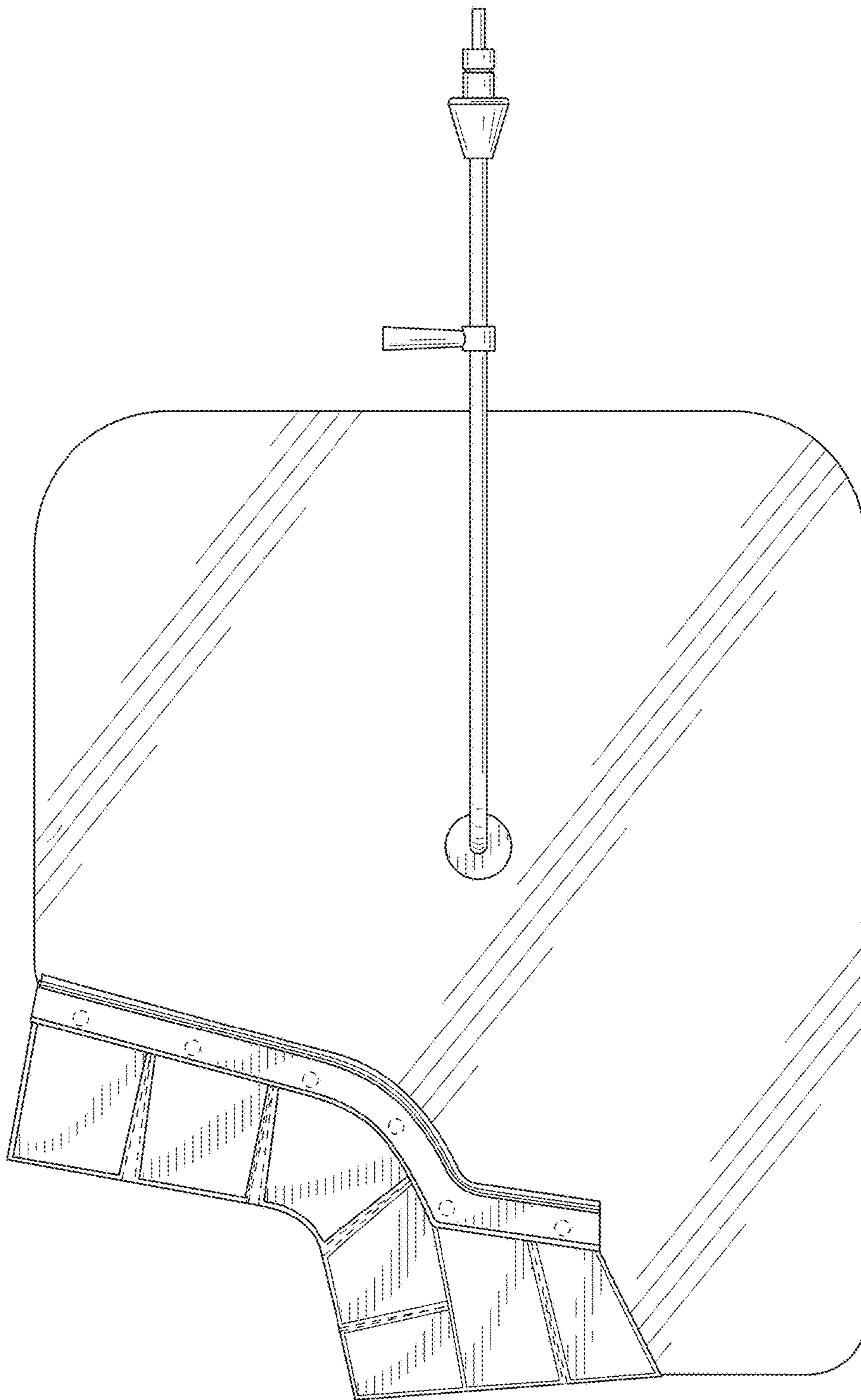


FIG. 2

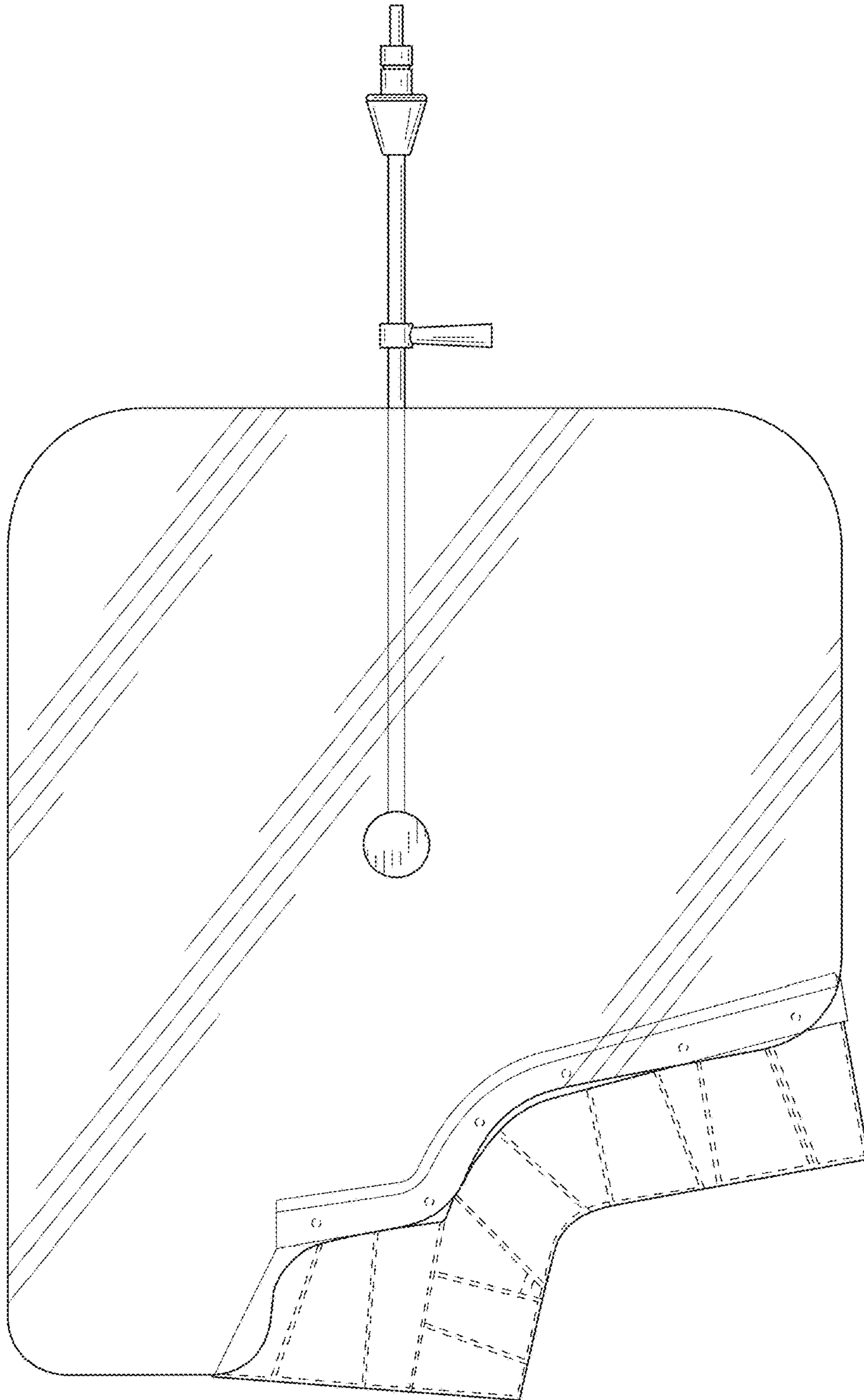


FIG. 3

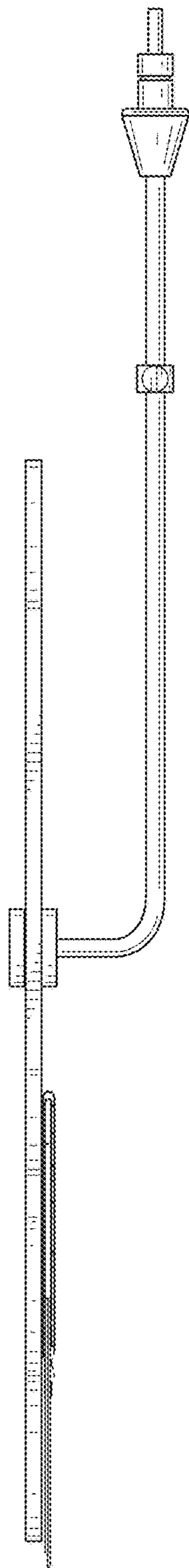


FIG. 4

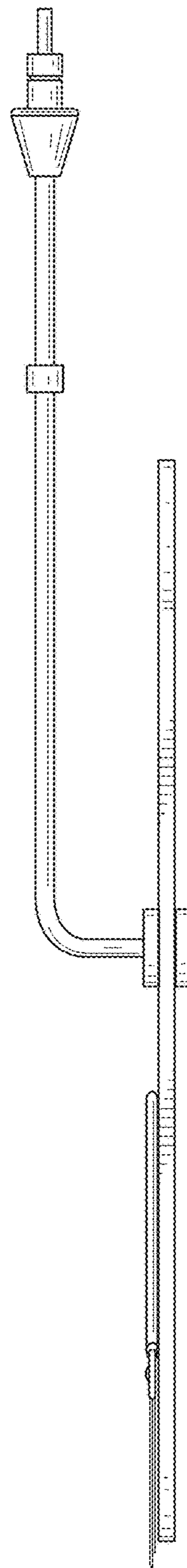


FIG. 5

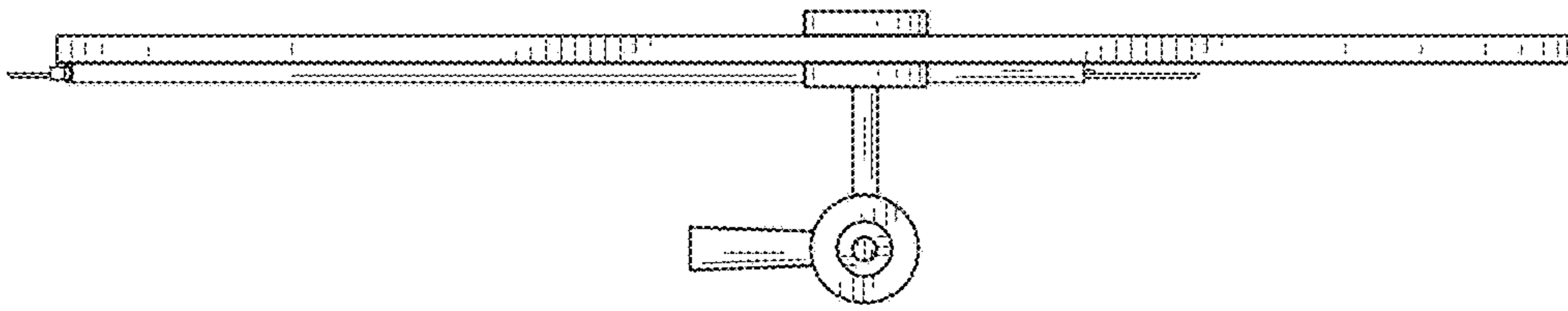


FIG. 6

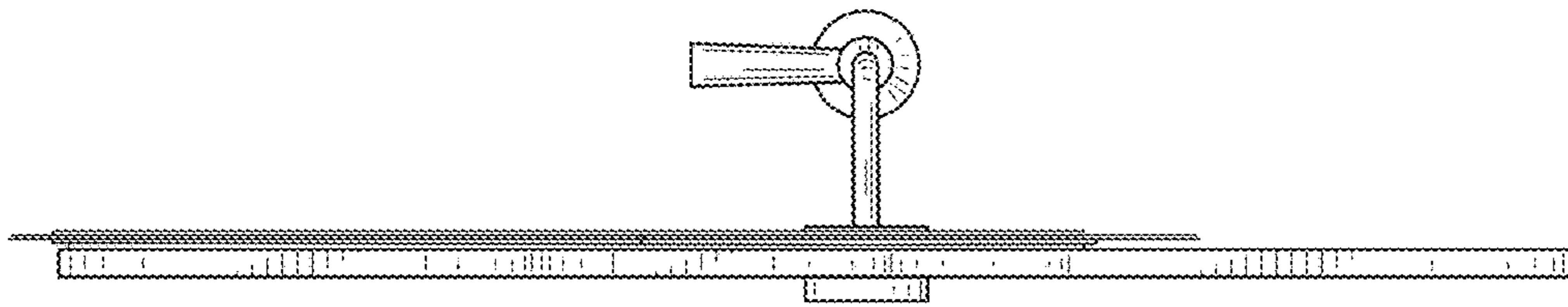


FIG. 7

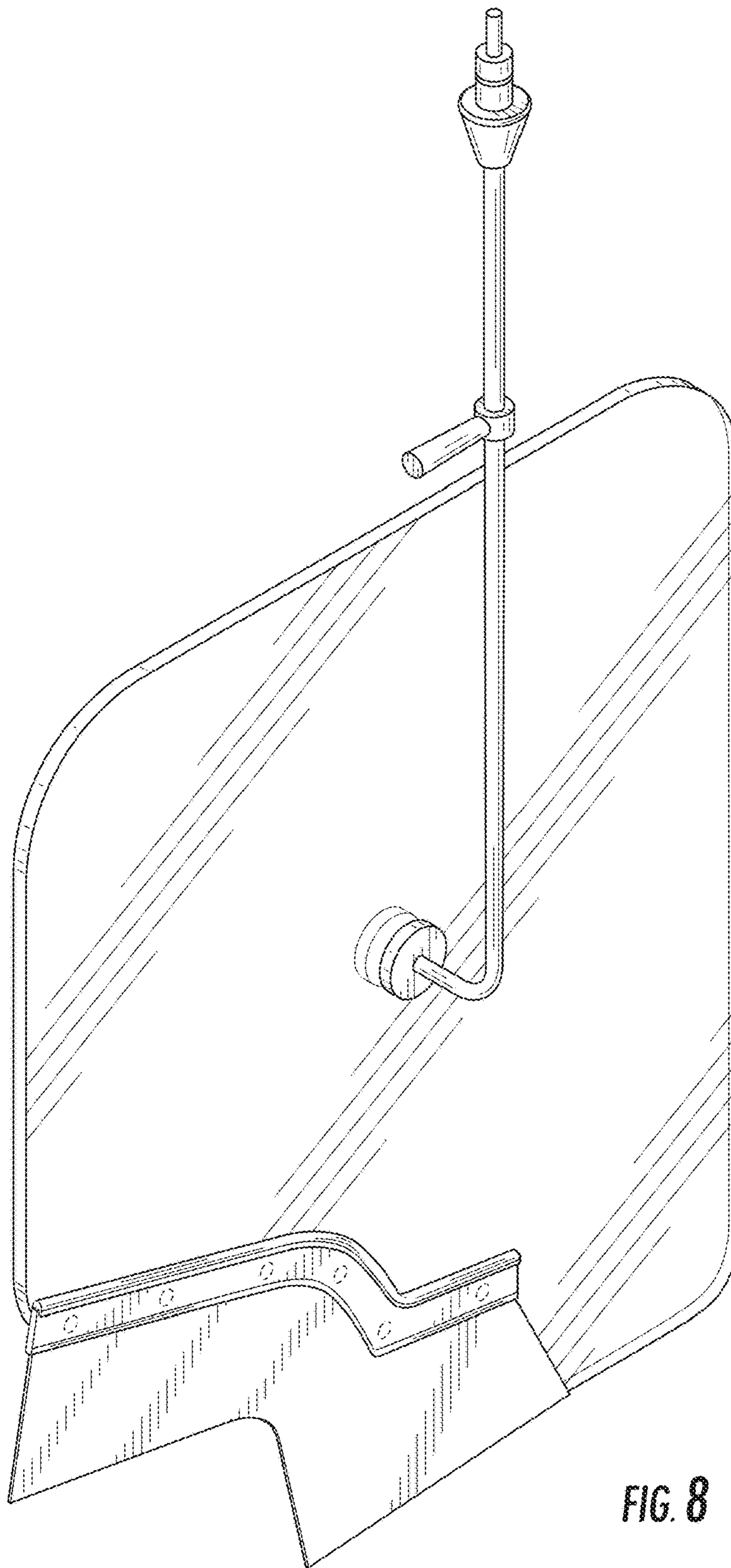


FIG. 8

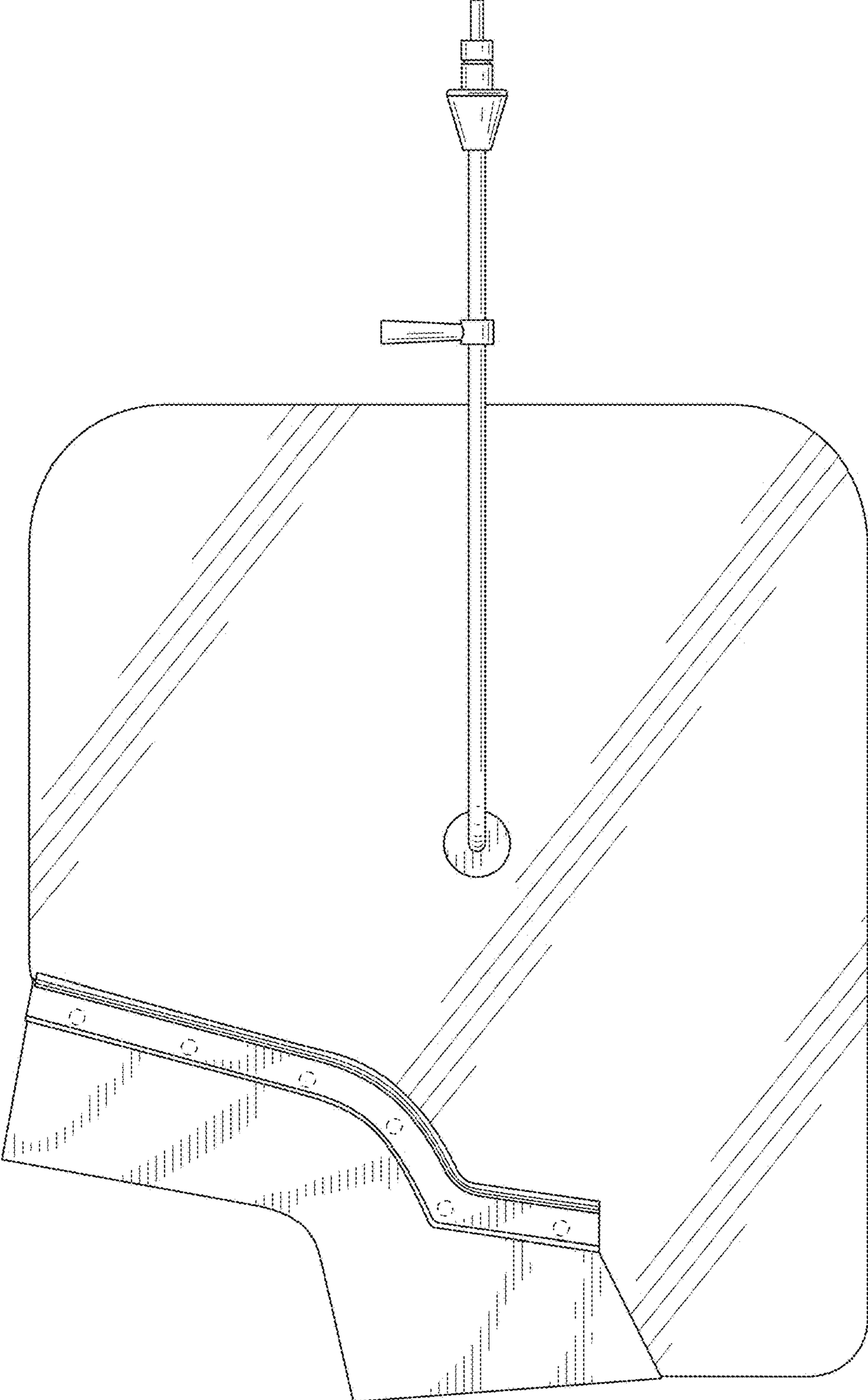


FIG. 9

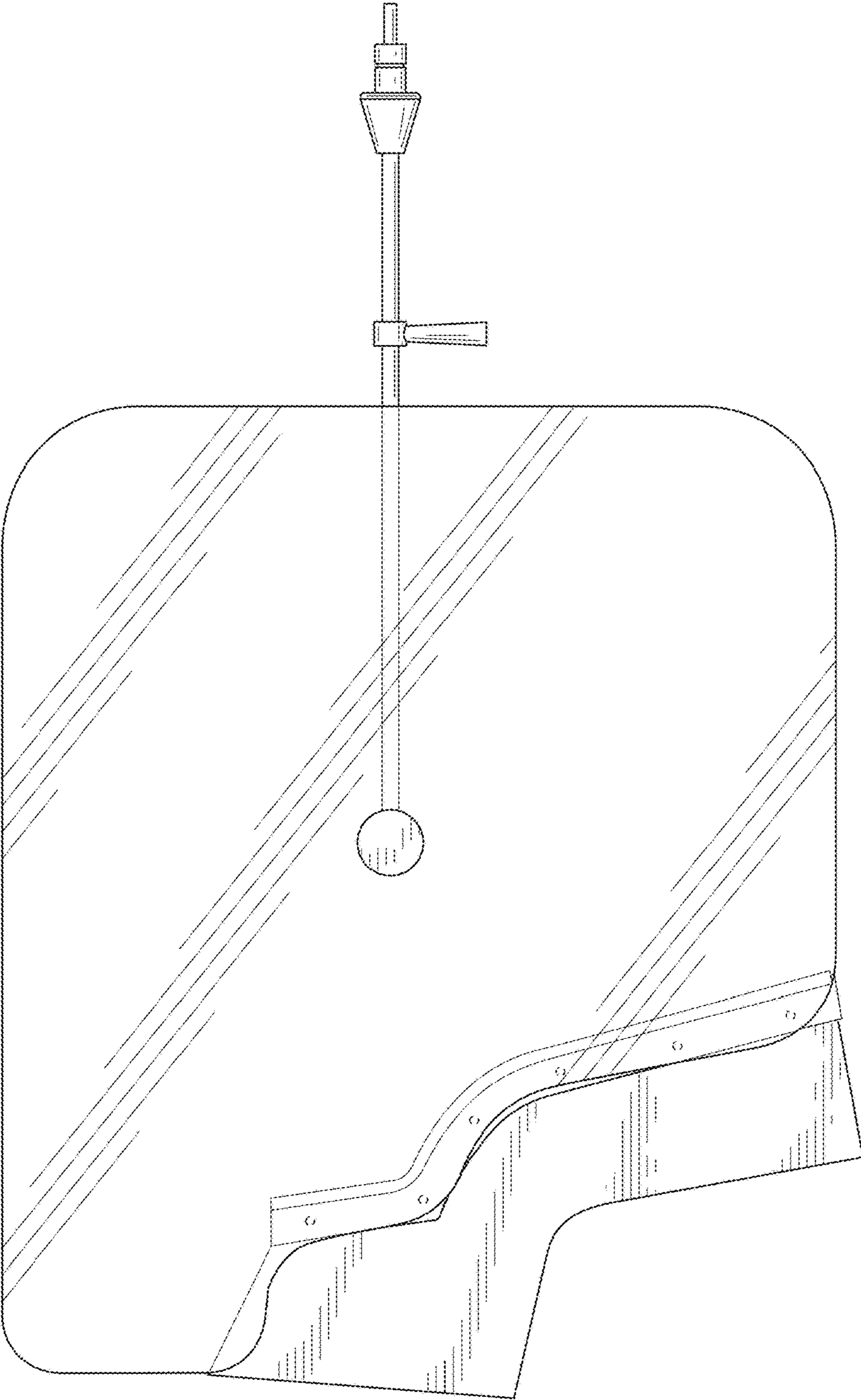


FIG. 10

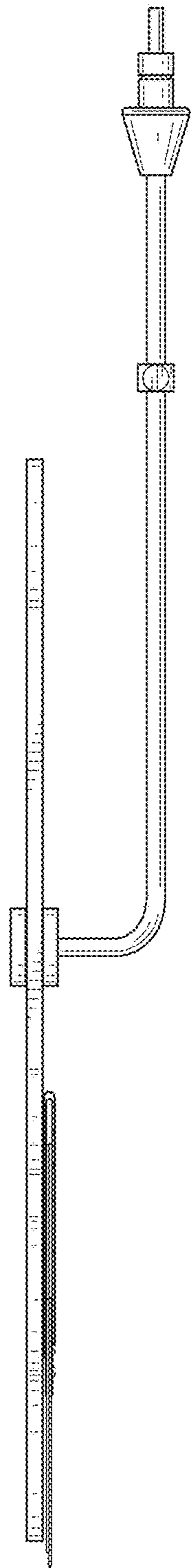


FIG. 11

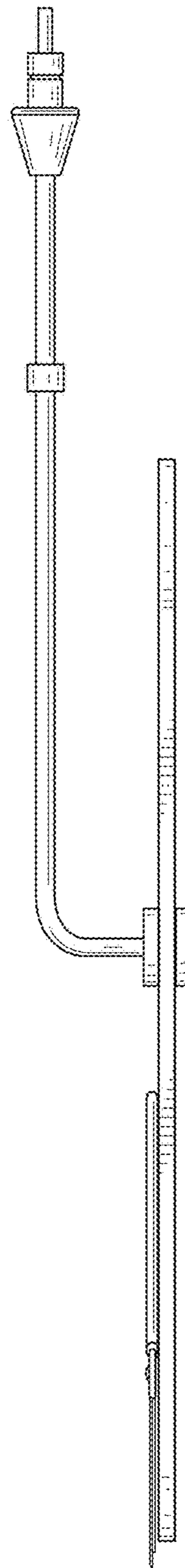


FIG. 12

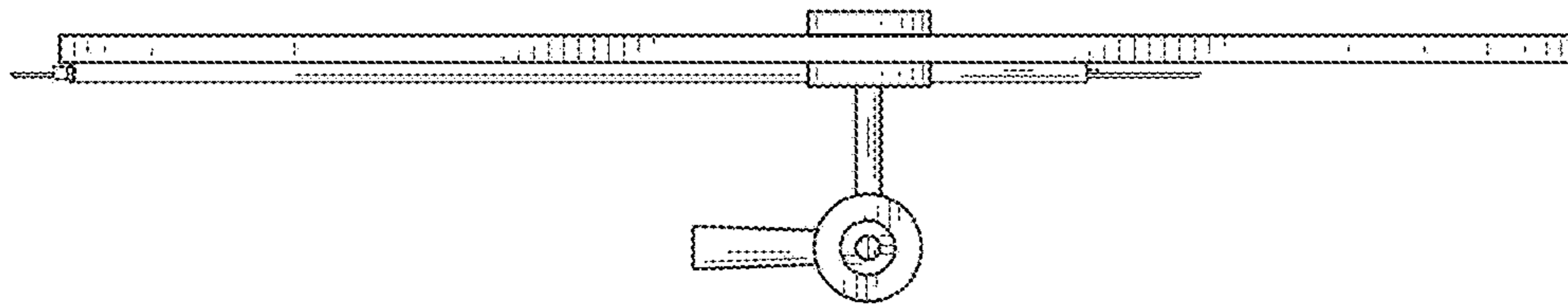


FIG. 13

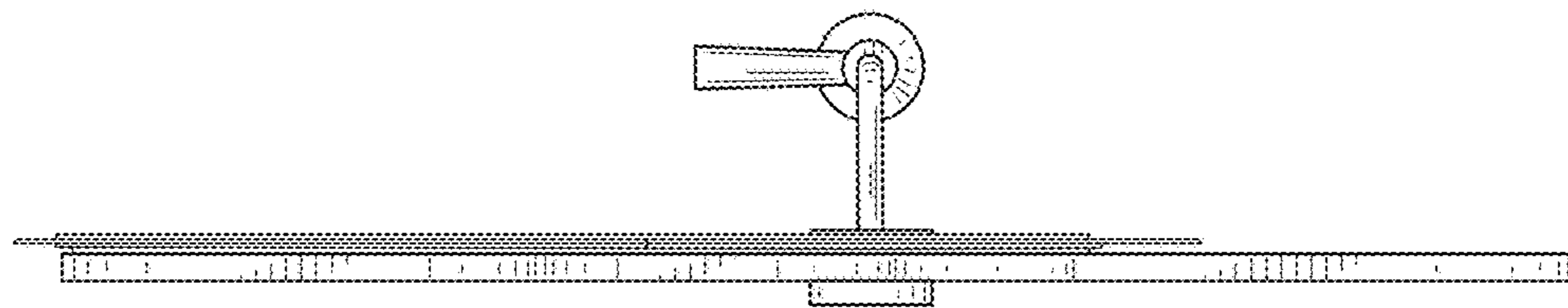


FIG. 14