



US00D842994S

(12) **United States Design Patent** (10) **Patent No.:** **US D842,994 S**
Avranches et al. (45) **Date of Patent:** **** Mar. 12, 2019**

(54) **ELECTROMEDICAL DEVICE**
(71) Applicant: **Siemens Healthcare GmbH**, Erlangen (DE)
(72) Inventors: **Alexandre Avranches**, Munich (DE); **Bruno Doerrfuss**, Neunkirchen (DE); **Florian Hilbig**, Munich (DE); **Andrea Hofmann**, Forchheim (DE); **Daniel Lerch**, Weilersbach (DE); **Carsten Thierfelder**, Pinzberg (DE); **Andreas Wiesinger**, Baiersdorf (DE)

D758,587 S * 6/2016 Eberler D24/158
D785,180 S * 4/2017 Avranches D24/158
D785,182 S * 4/2017 Grosshauser D24/158
D787,677 S * 5/2017 Grosshauser D24/158

* cited by examiner

Primary Examiner — Anhdao Doan
(74) *Attorney, Agent, or Firm* — Schiff Hardin LLP

(57) **CLAIM**

The ornamental design for an electromedical device, as shown and described.

DESCRIPTION

FIG. 1 is a front elevational view of a first embodiment of an electromedical device showing our new design; FIG. 2 is a back elevational view thereof; FIG. 3 is a top plan view thereof; FIG. 4 is a bottom plan view thereof; FIG. 5 is a side elevational view of the right side thereof; FIG. 6 is a side elevational view of the left side thereof; FIG. 7 is a perspective view taken generally from the top, front, right-hand side thereof; and FIG. 8 is a perspective view taken generally from the top, back, left-hand side thereof. FIG. 9 is a front elevational view of a second embodiment thereof; FIG. 10 is a back elevational view thereof; FIG. 11 is a top plan view thereof; FIG. 12 is a bottom plan view thereof; FIG. 13 is a side elevational view of the right side thereof; FIG. 14 is a side elevational view of the left side thereof; FIG. 15 is a perspective view taken generally from the top, front, right-hand side thereof; and, FIG. 16 is a perspective view taken generally from the top, back, left-hand side thereof. The broken lines are included for the purpose of illustrating portions of the electromedical device that form no part of the claimed design.

(73) Assignee: **Siemens Healthcare GmbH**, Erlangen (DE)

(**) Term: **15 Years**

(21) Appl. No.: **29/595,387**

(22) Filed: **Feb. 28, 2017**

(30) **Foreign Application Priority Data**

Aug. 30, 2016 (EM) 001452155

(51) **LOC (11) Cl.** **24-01**

(52) **U.S. Cl.**
USPC **D24/158**

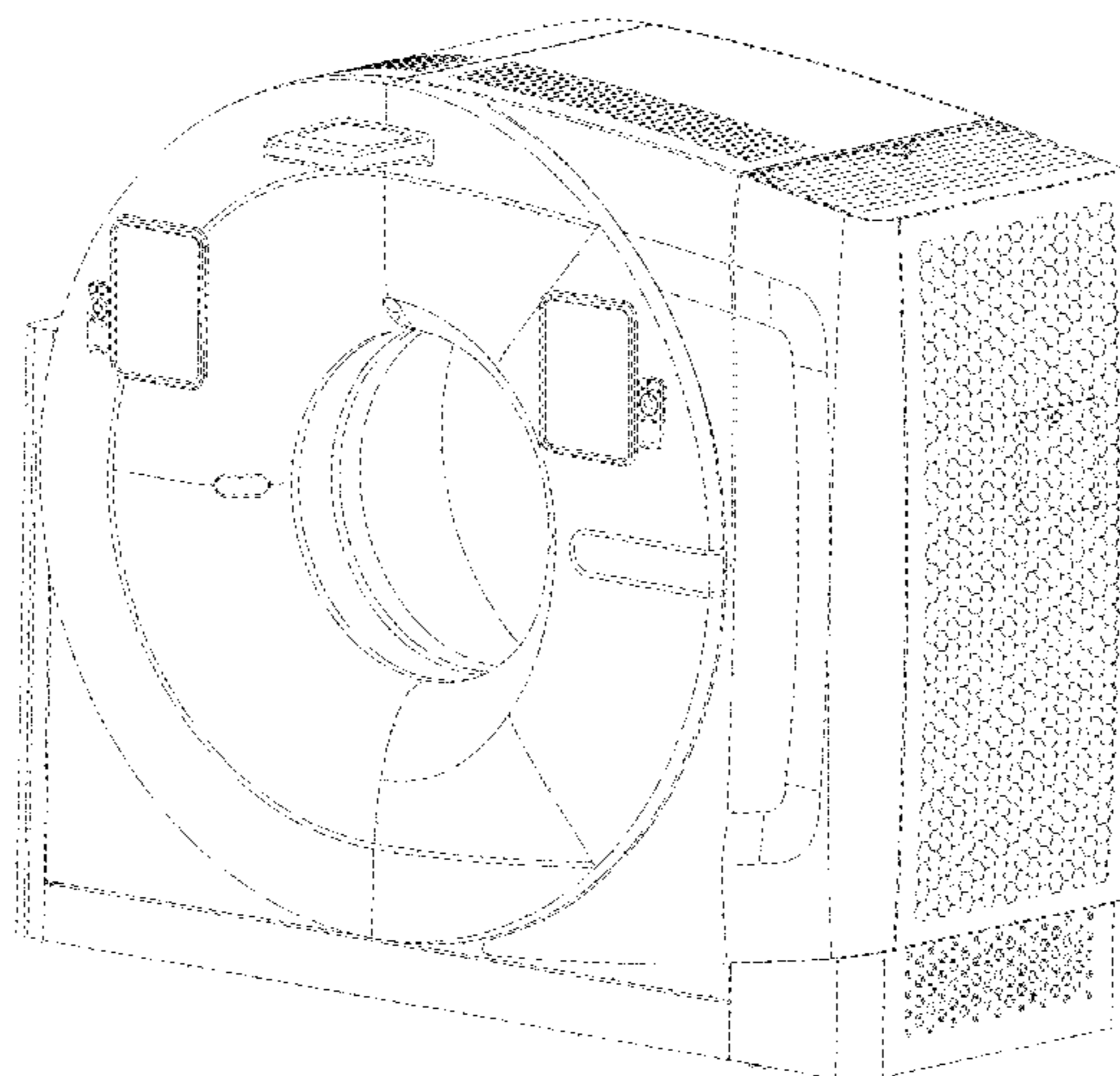
(58) **Field of Classification Search**
USPC D24/158-161, 185, 186, 107
CPC .. A61B 5/05; A61B 5/055; A61B 6/03; A61B 6/035
See application file for complete search history.

(56) **References Cited**

U.S. PATENT DOCUMENTS

D683,023 S * 5/2013 Andersson D24/158
D715,945 S * 10/2014 Zhang D24/159
D726,918 S * 4/2015 Gnielka D24/158
D738,505 S * 9/2015 Eberler D24/158

1 Claim, 16 Drawing Sheets



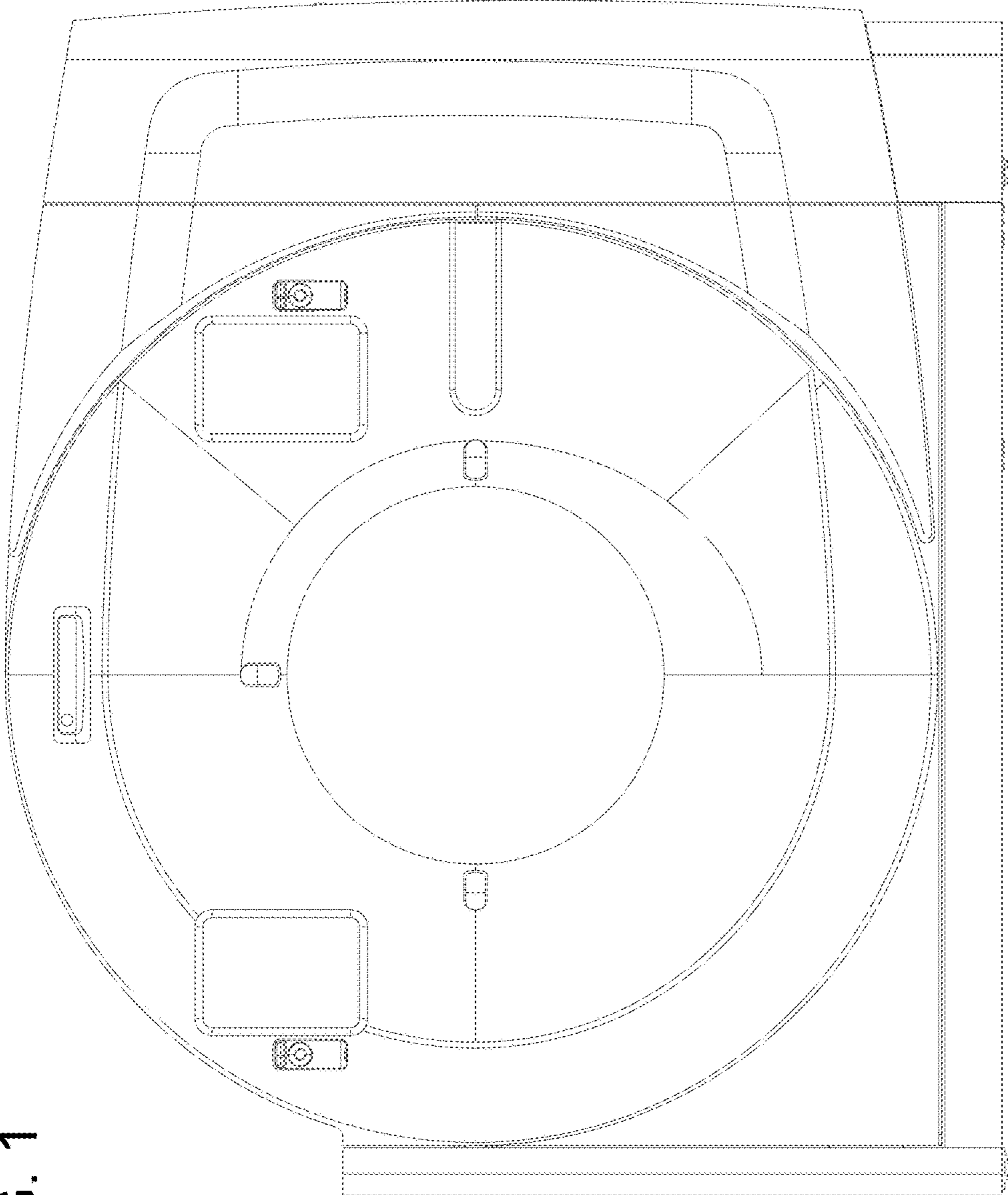


FIG. 1

FIG. 2

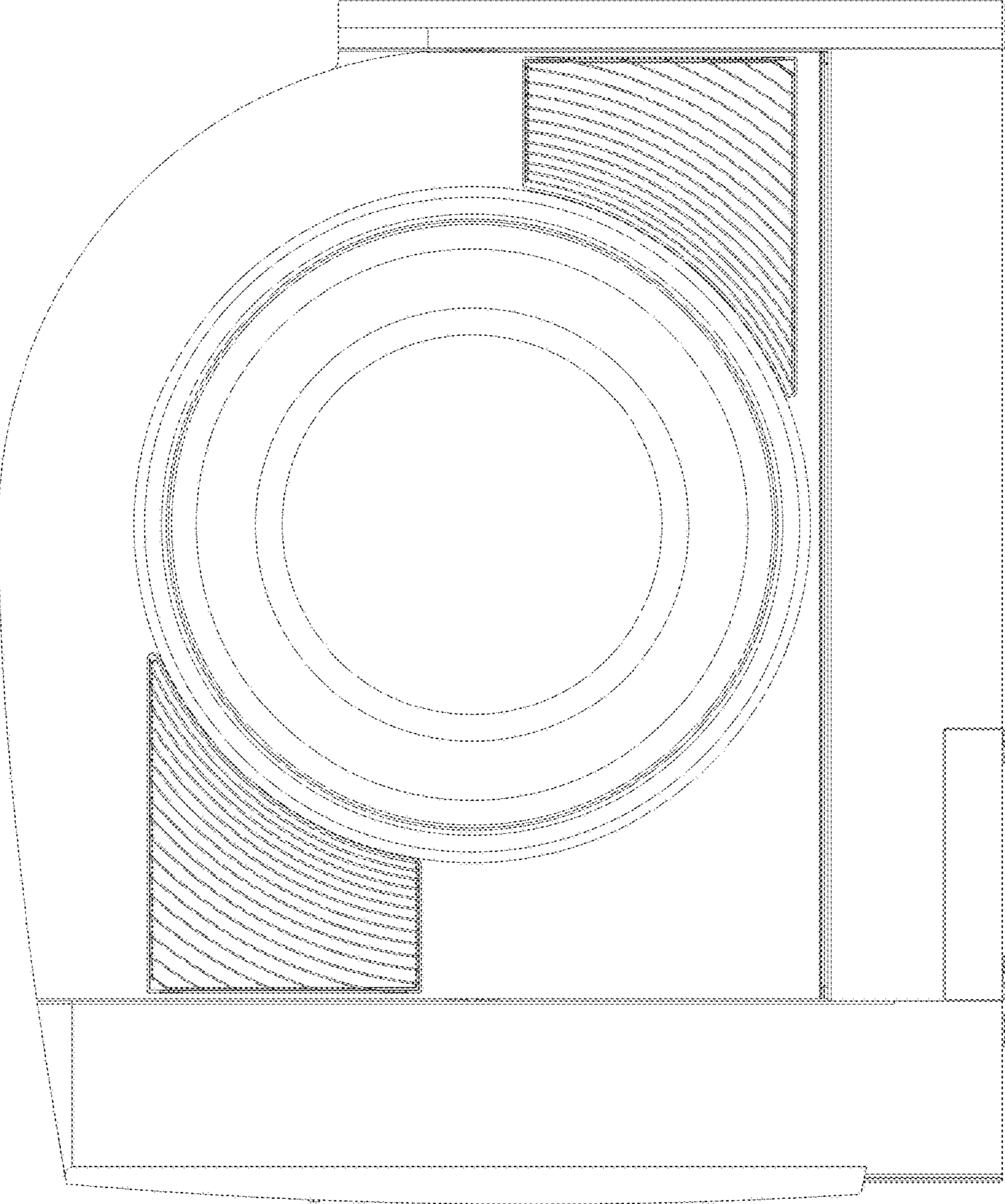


FIG. 3

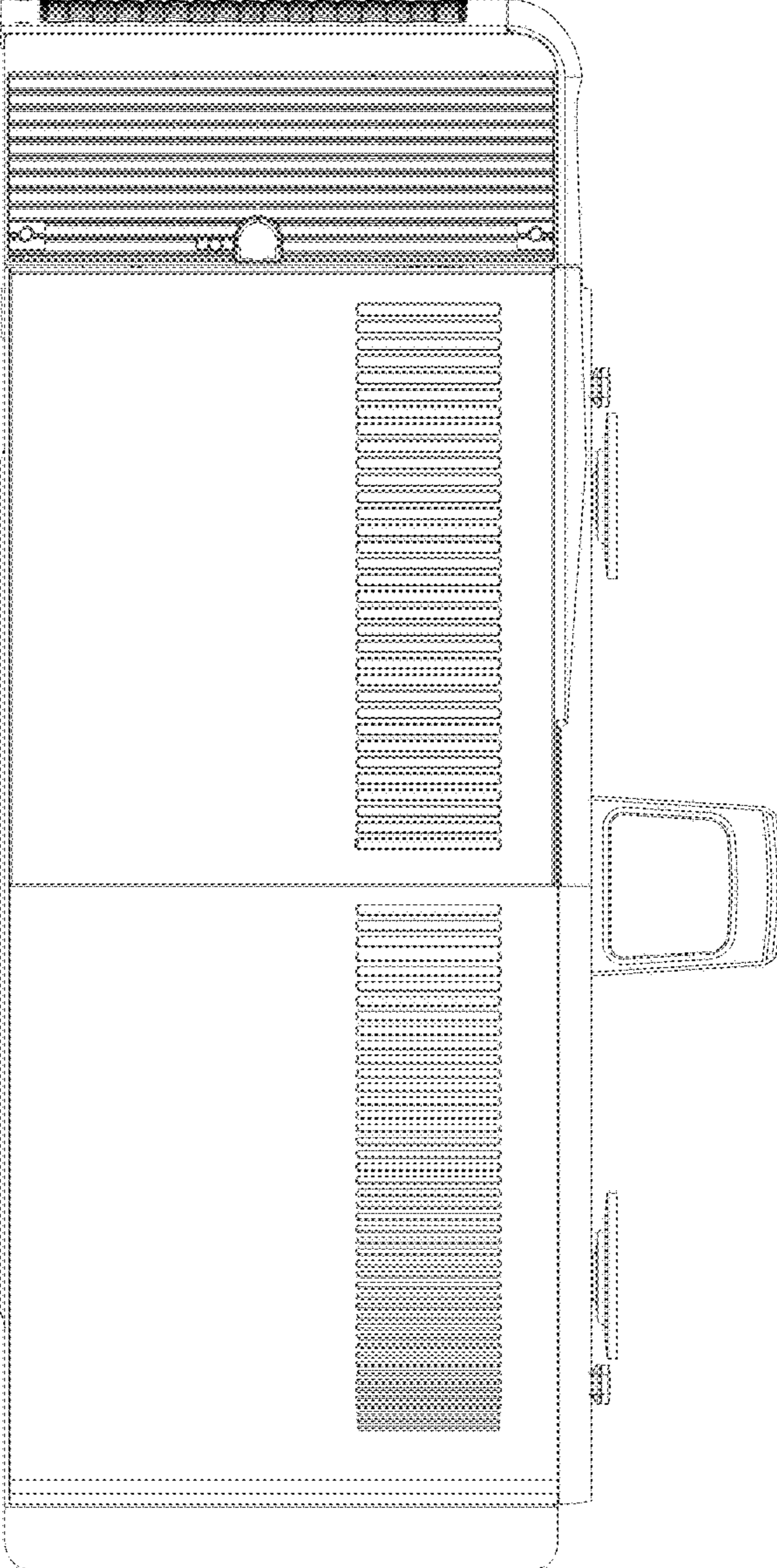
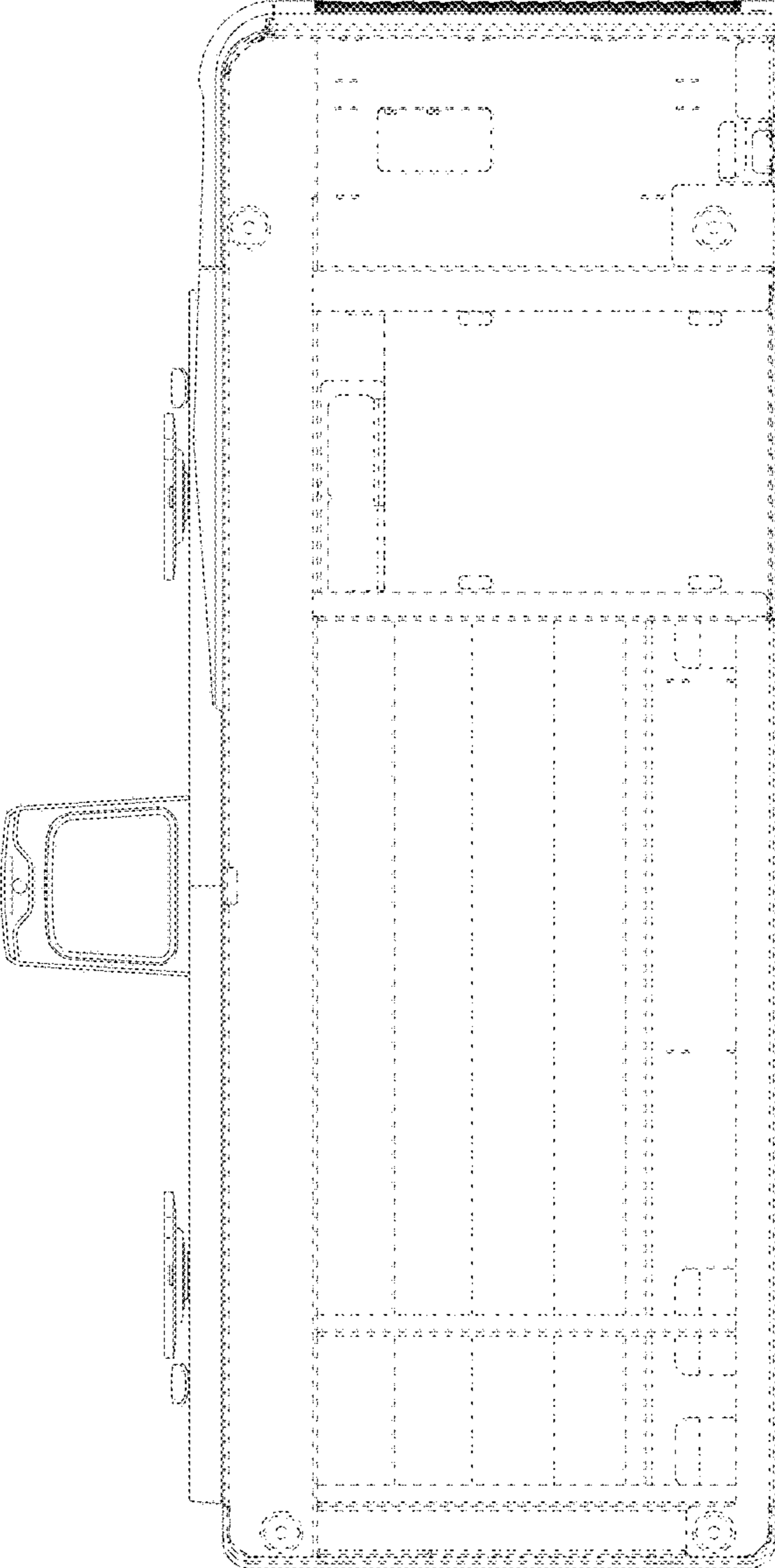


FIG. 4



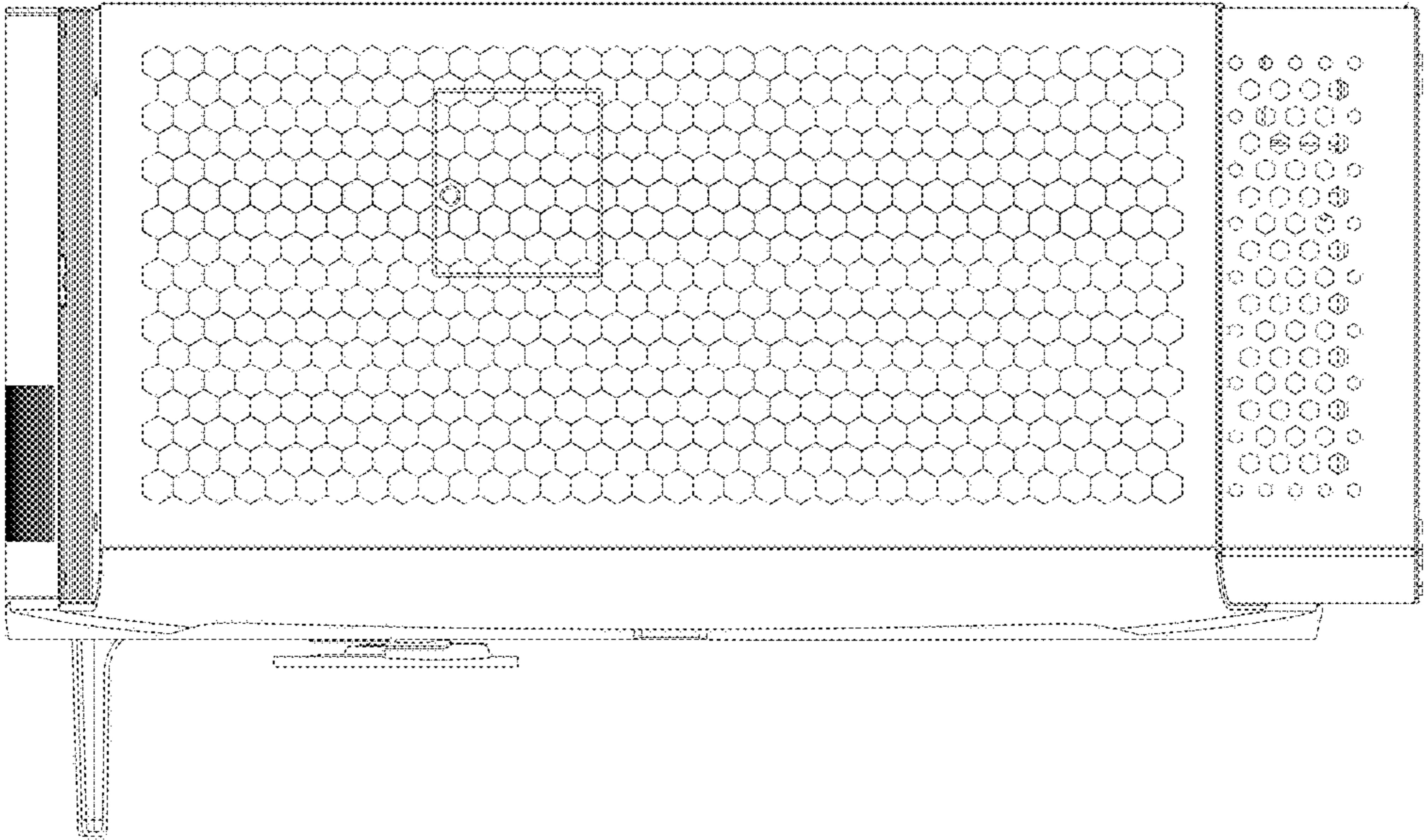


FIG. 5

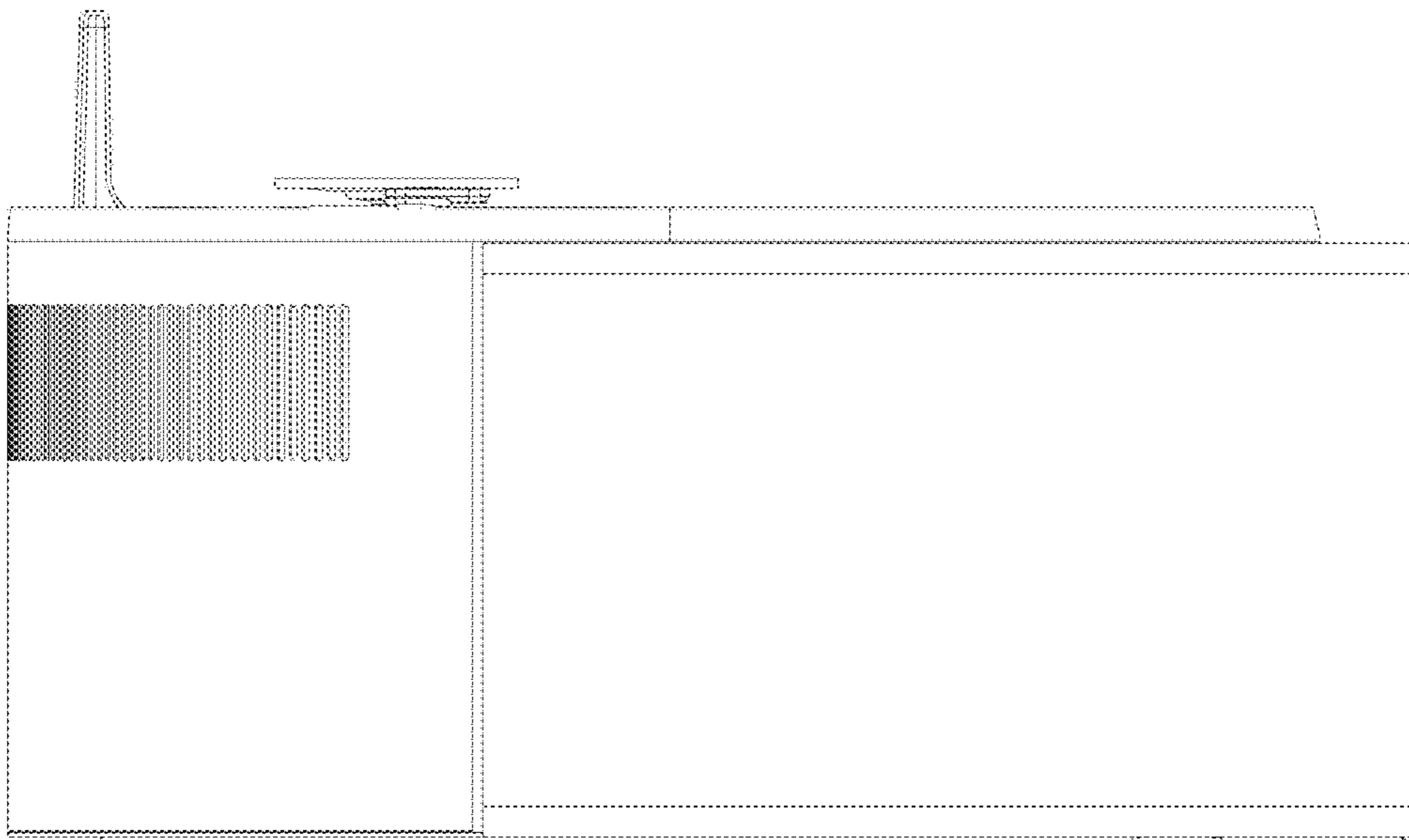


FIG. 6

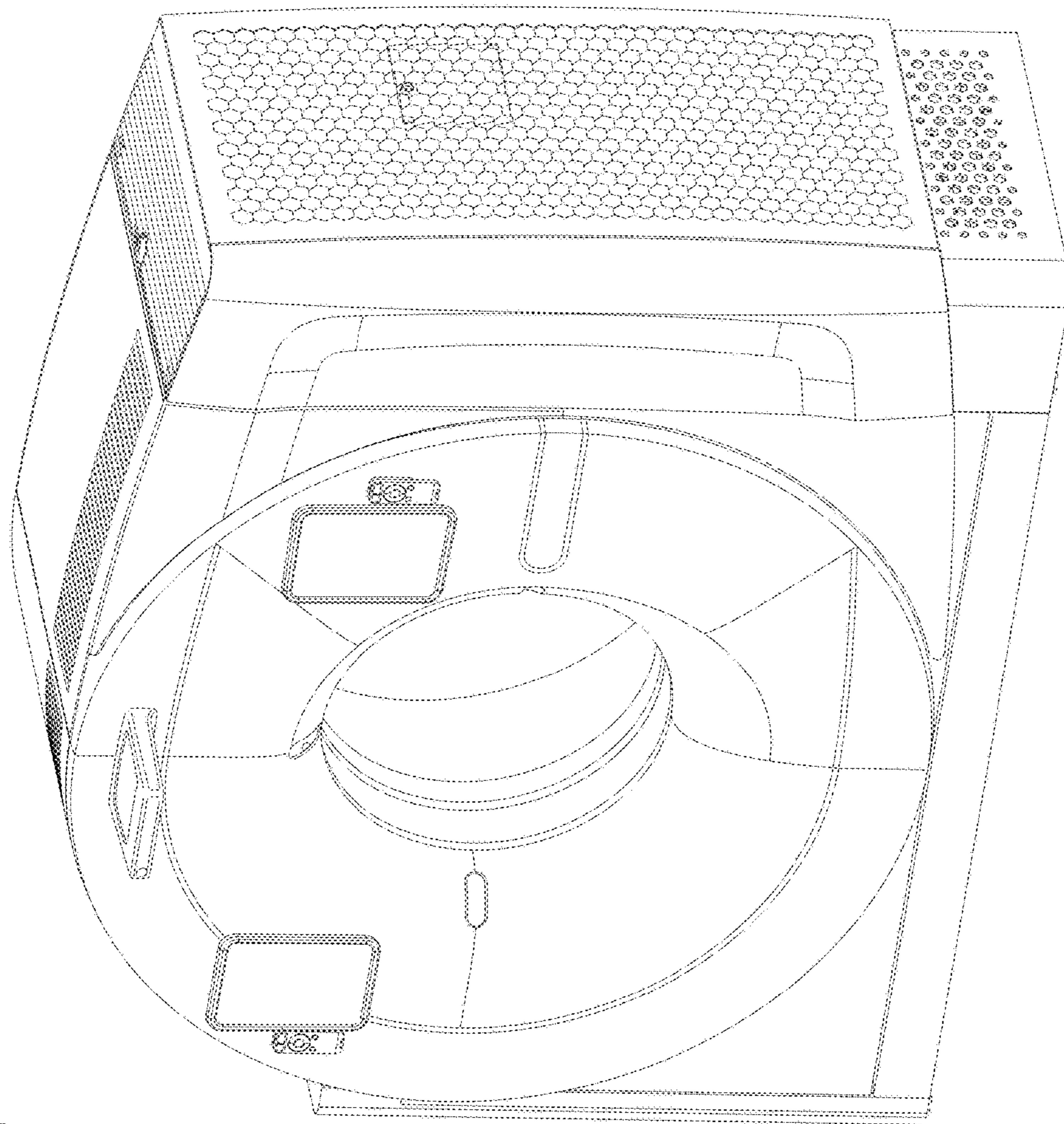
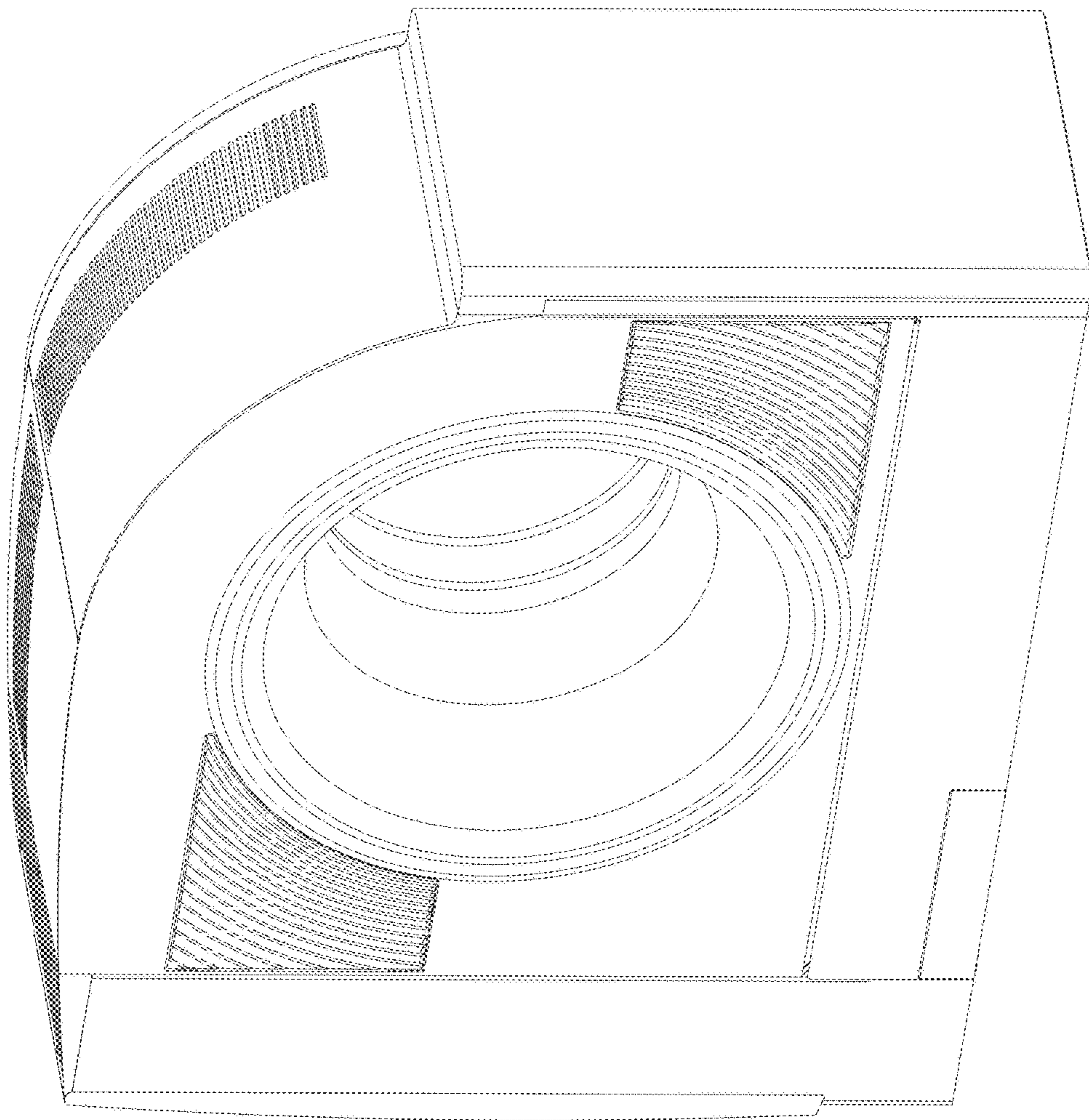


FIG. 7

FIG. 8



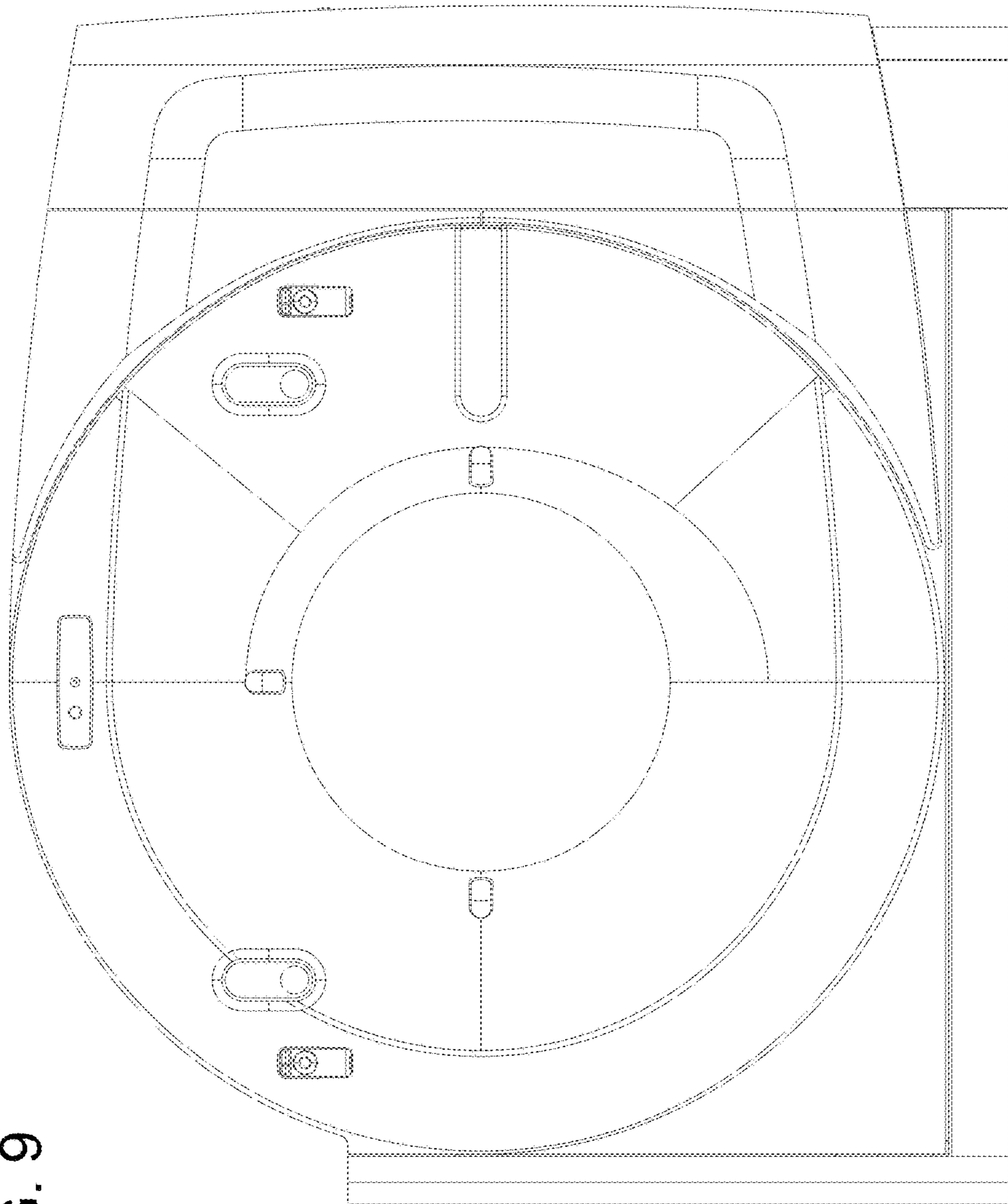


FIG. 9

FIG. 10

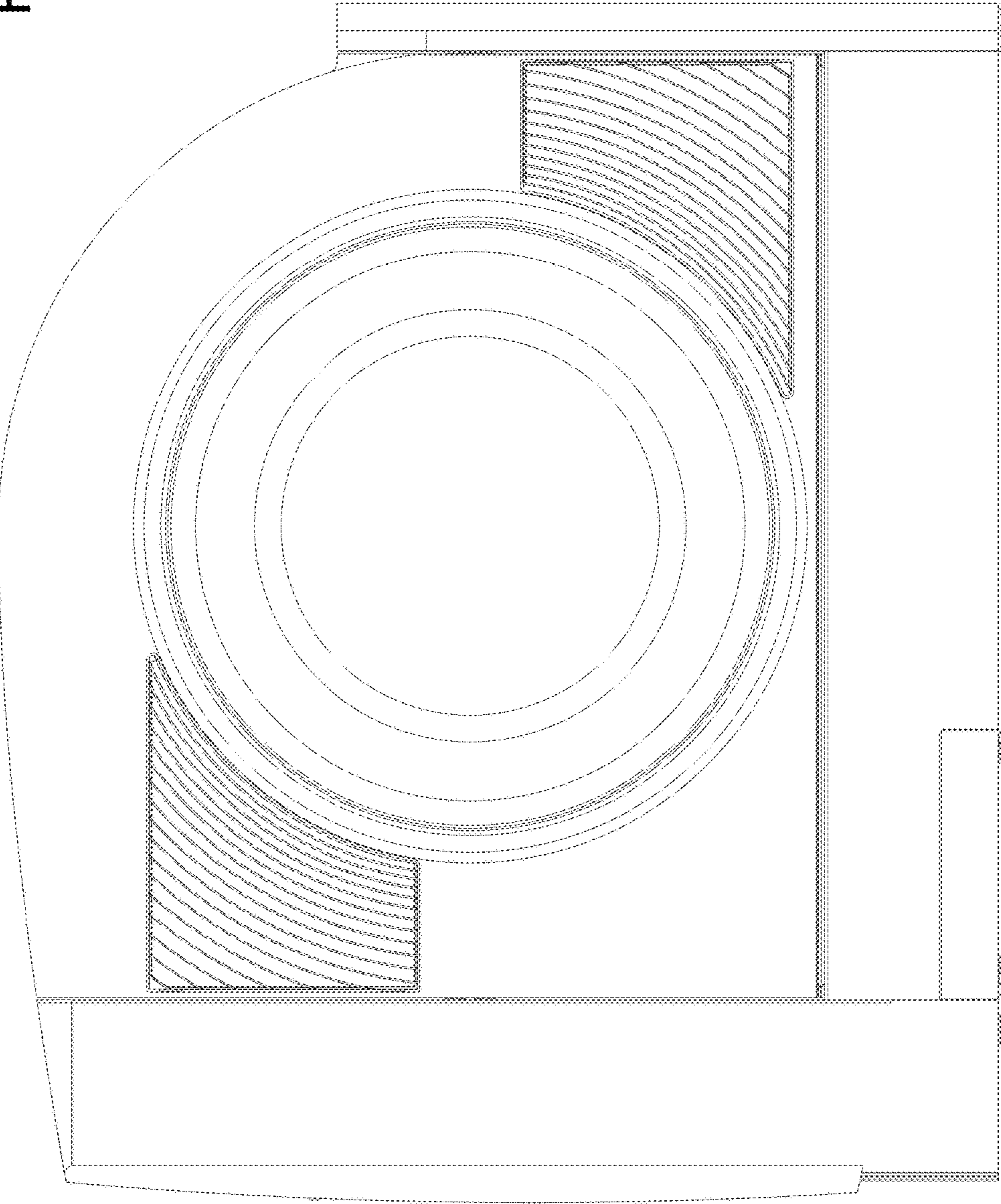


FIG. 11

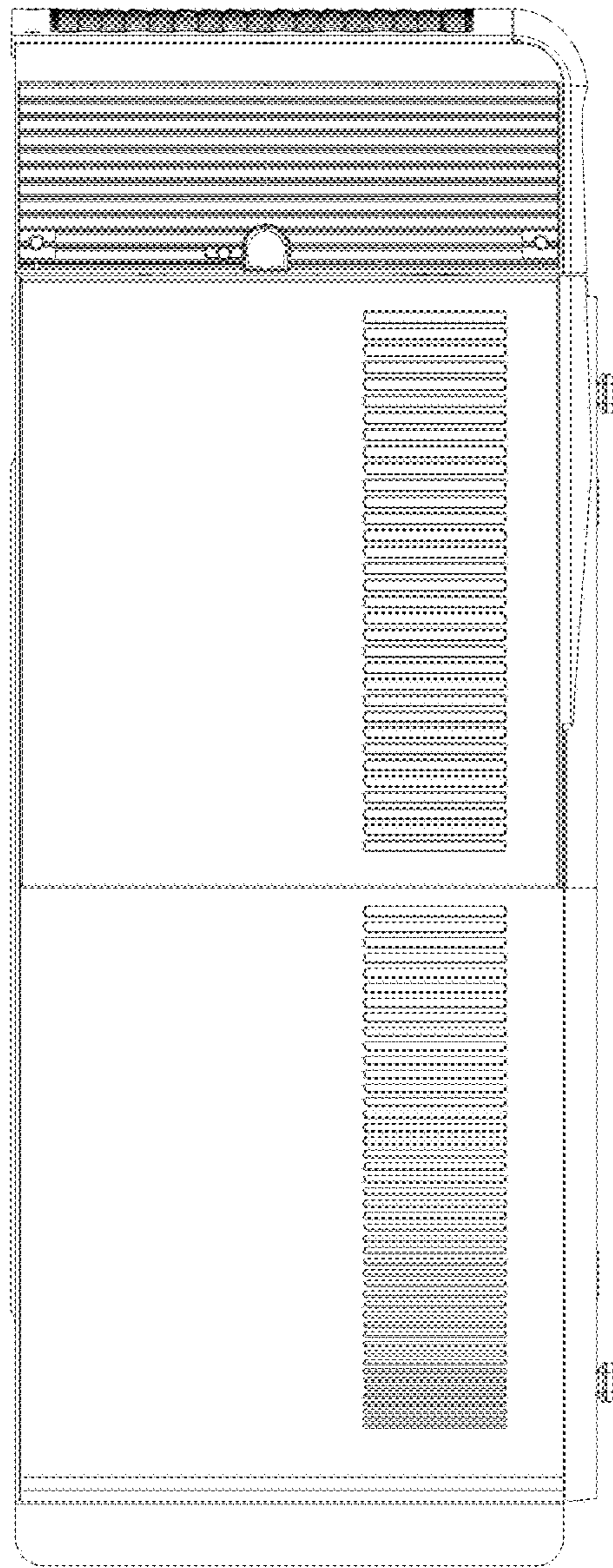
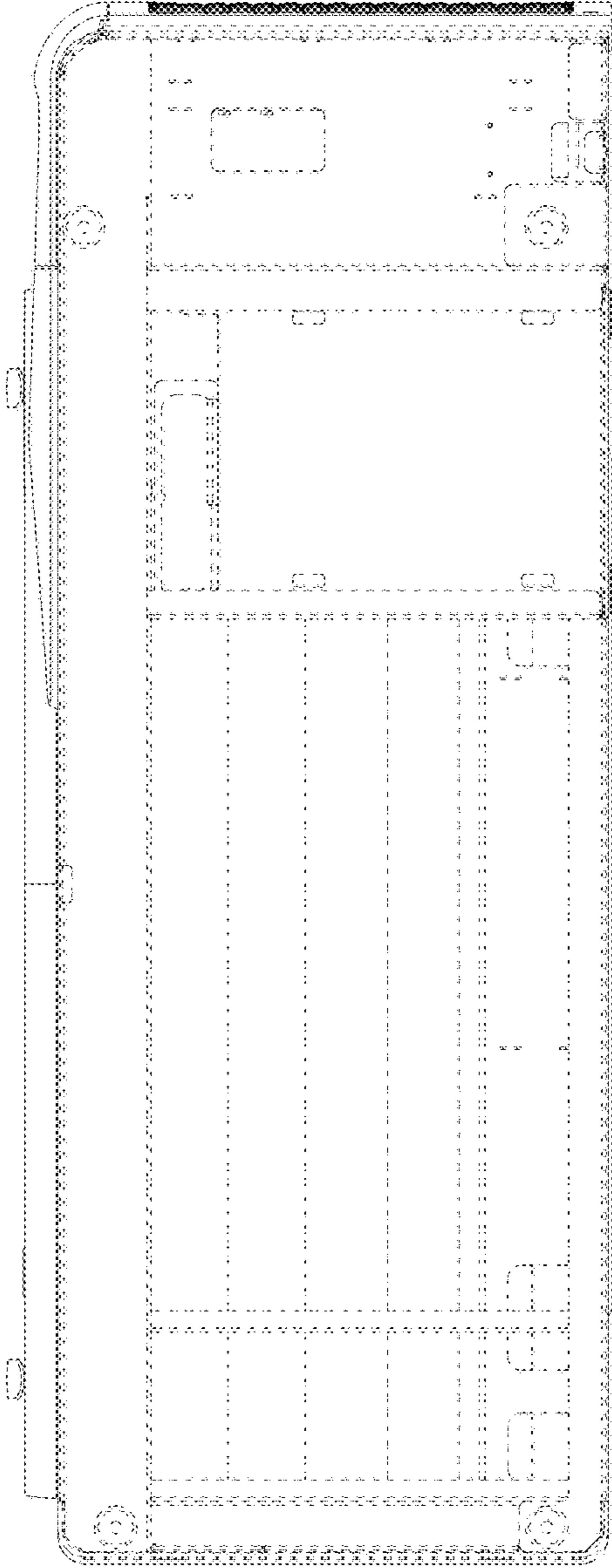


FIG. 12



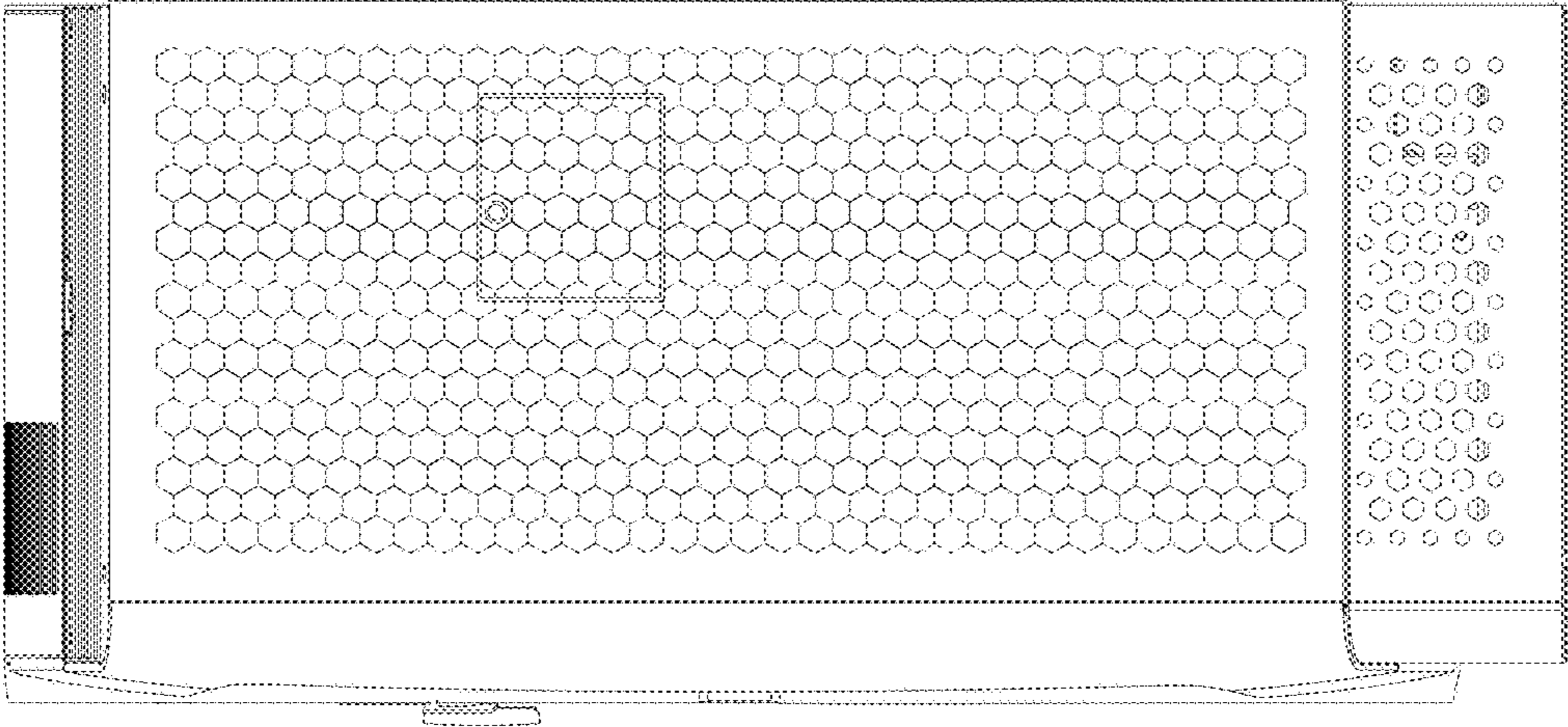


FIG. 13

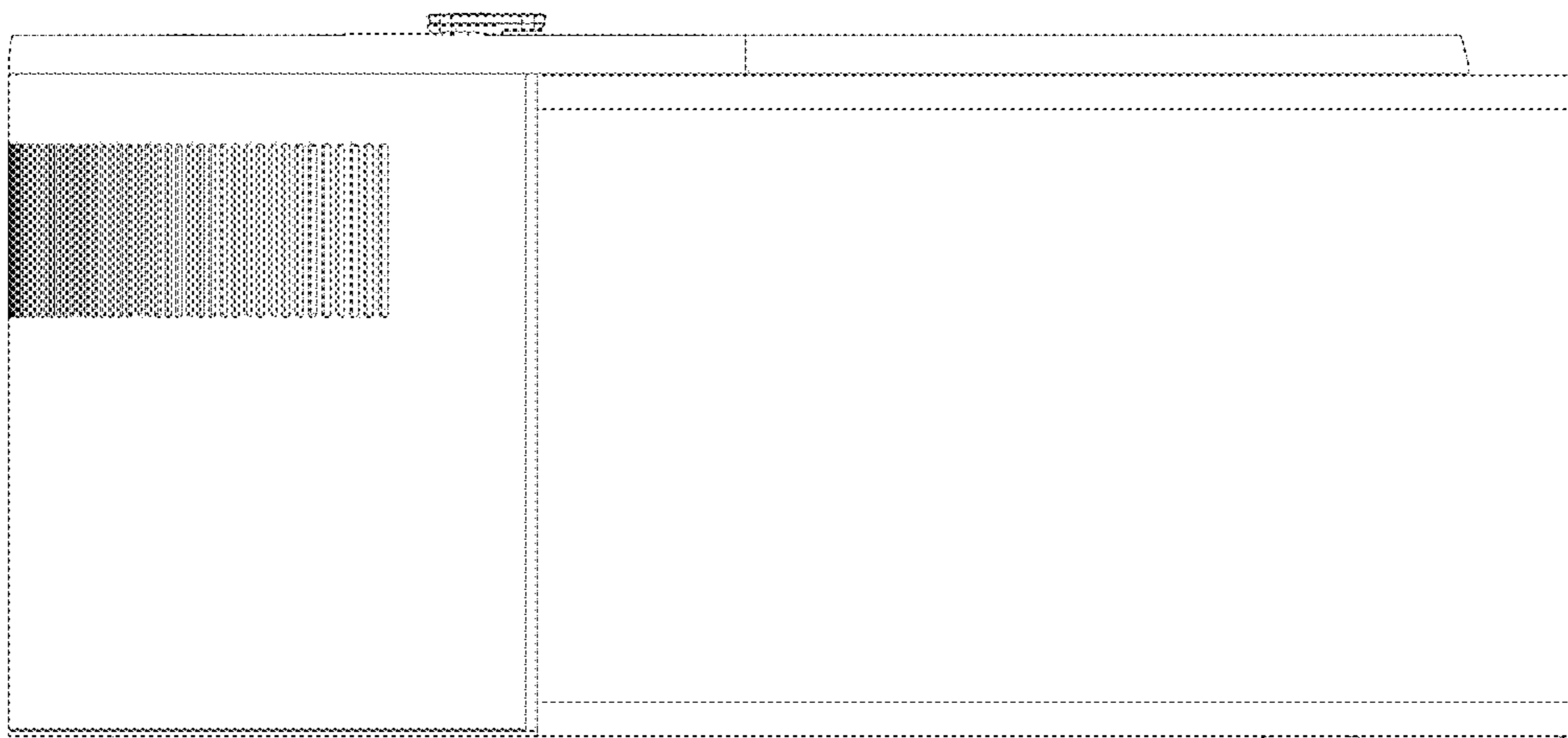


FIG. 14

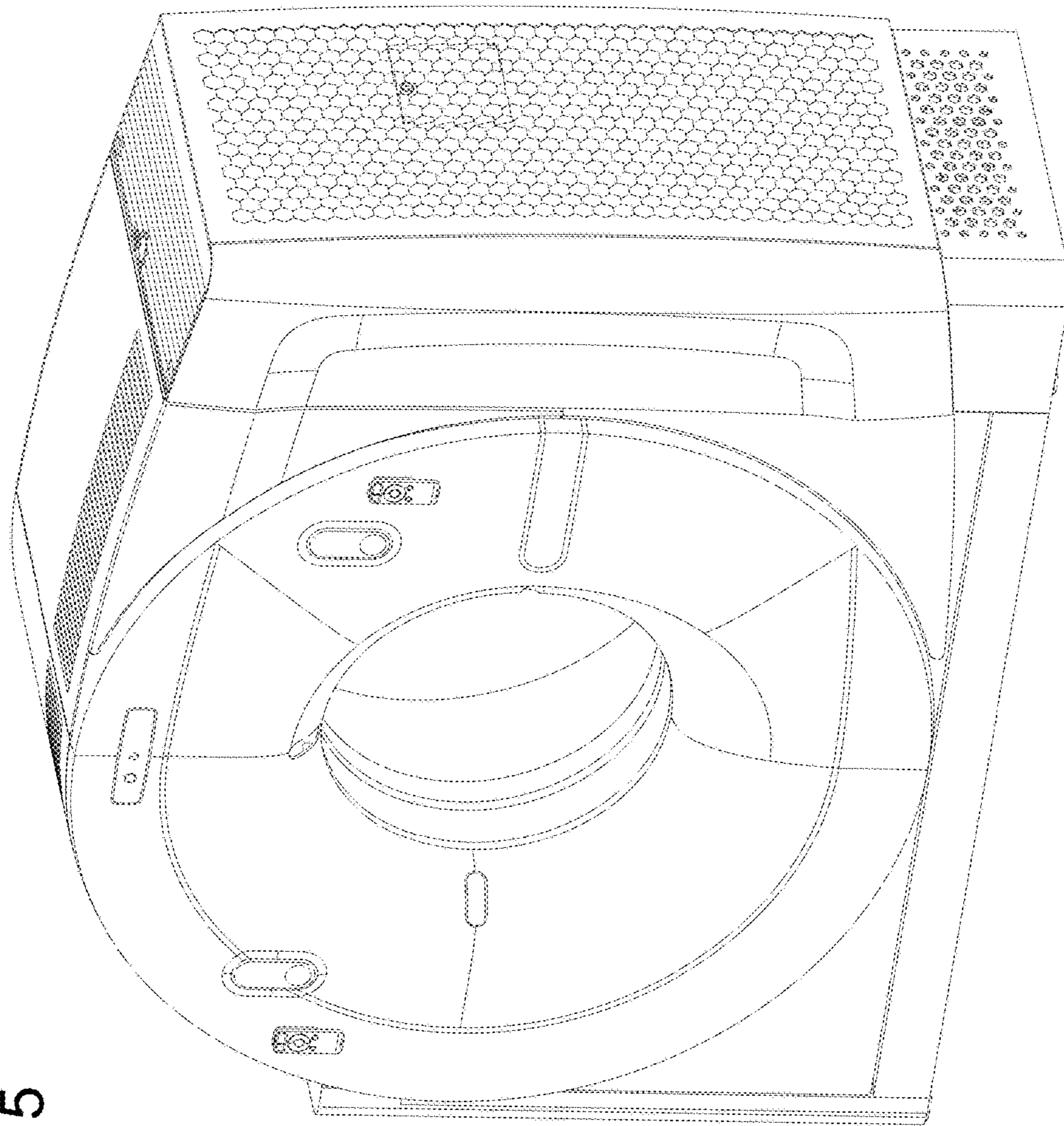


FIG. 15

FIG. 16

